

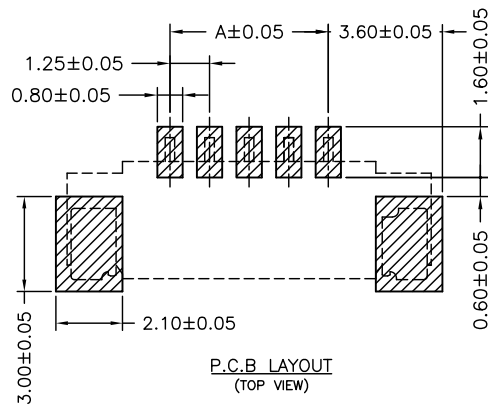
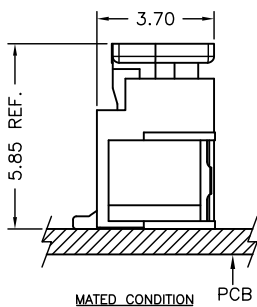
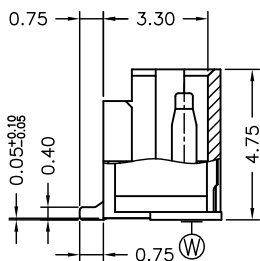
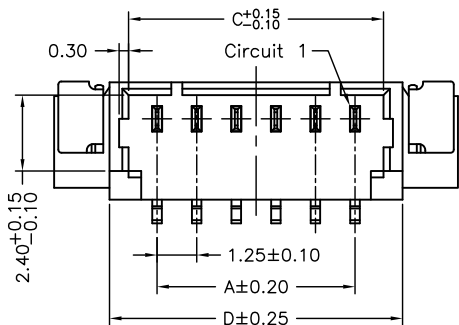
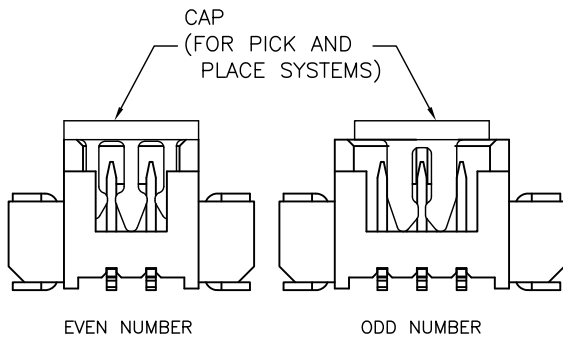
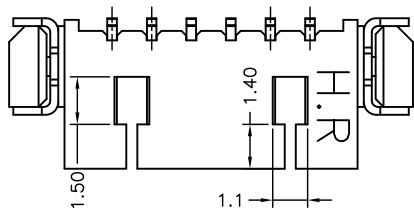
P/N LEGEND

A1250	WV	S	XP	N	X	X	XX	X	00	X
①	②	③	④	⑤	⑥	⑦	⑧	⑨	⑩	⑪

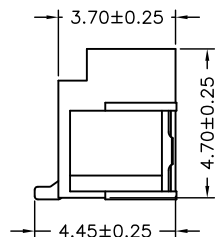
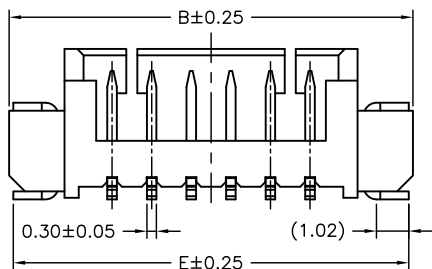
① Series No.
 ② Connector type: WV=Vertical
 ③ Mounting type: S=SMT
 ④ No. of circuits
 ⑤ N=Halogen Free
 ⑥ Material: 6=Nylon 6T, L=LCP
 ⑦ Color: B=Black N=Natural
 ⑧ Plating code: T1=Tin-plated, G1=Gold-flash
 S4=Gold-plated 10u"on contact area,
 Gold-flash on solder area
 ⑨ Plating code: T=Tin-plated, G=Gold-flash
 ⑩ Option code: 00=Standard
 ⑪ Packing code: R=Tape & Reel
 L=Tape & Reel(With Cap)

SPECIFICATIONS

Current Rating: 1A AC,DC
 Voltage Rating: 125V AC,DC
 Temperature Range: -25°C ~ +85°C
 Contact Resistance: 20mΩ Max.
 Insulation Resistance: 100MΩ Min.
 Withstanding Voltage: 500V AC/minute
 Pin Material: Phosphor Bronze
 Solder Tabs: Phosphor Bronze
 Cap: Nylon 6T,UL94V-0,Black(Beige)

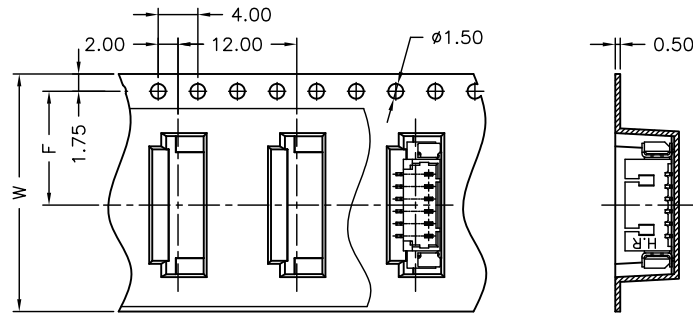


Circuit No.	Dimensions				
	A	B	C	D	E
02P	1.25	7.75	3.05	4.25	7.50
03P	2.50	9.00	4.30	5.50	8.75
04P	3.75	10.25	5.55	6.75	10.00
05P	5.00	11.50	6.80	8.00	11.25
06P	6.25	12.75	8.05	9.25	12.50
07P	7.50	14.00	9.30	10.50	13.75
08P	8.75	15.25	10.55	11.75	15.00
09P	10.00	16.50	11.80	13.00	16.25
10P	11.25	17.75	13.05	14.25	17.50
11P	12.50	19.00	14.30	15.50	18.75
12P	13.75	20.25	15.55	16.75	20.00
13P	15.00	21.50	16.80	18.00	21.25
14P	16.25	22.75	18.05	19.25	22.50
15P	17.50	24.00	19.30	20.50	23.75
16P	18.75	25.25	20.55	21.75	25.00
17P	20.00	26.50	21.80	23.00	26.25
18P	21.25	27.75	23.05	24.25	27.50

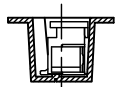


				UNIT	SCALE	SHEET	TITLE:
				mm	1 : 1	1 of 2	
DRAWN BY		APPROVED BY		1.25mm PITCH 180° WAFER-SMT TYPE			
周傑亮		董正一					
2012.10.18		2012.10.18		DRAW NO. : A1250WV-S-XPXXXXXXXXX REV. A2			
A2 EN1411100001 2014.11.10 劉建芳		GENERAL TOLERANCE					
A1 EN1301240032 2013.01.24 周傑亮		X.X±0.25 ANGLE±					
A0 NEW RELEASE 2012.10.18 周傑亮		X.XX±0.15					
REV.	DESCRIPTION	DATE	NAME	X.XXX±0.05			

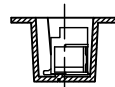
02~09 Contacts



Unreeling direction →

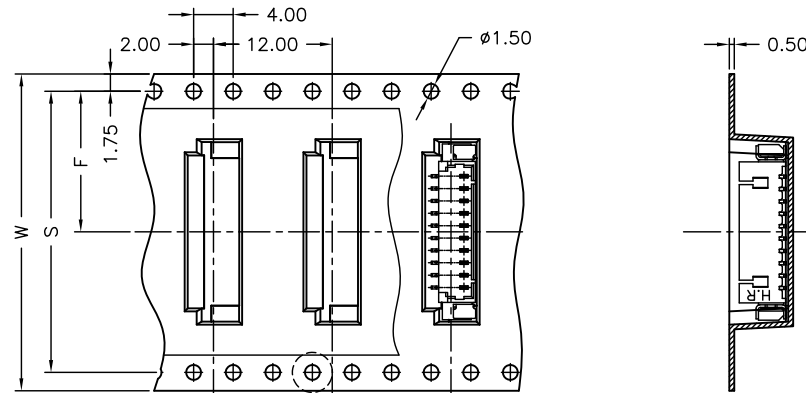


With Cap

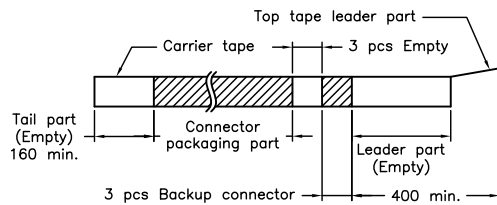
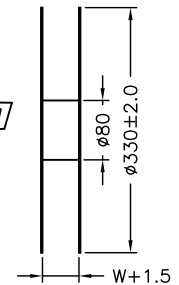
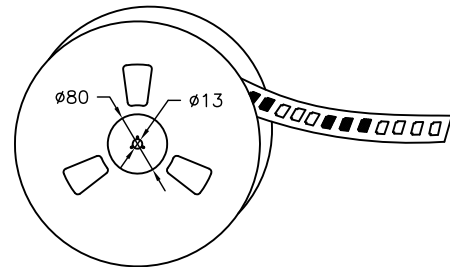
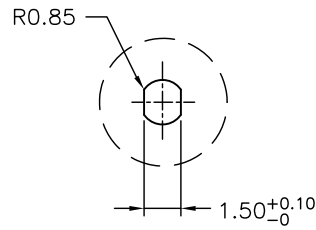


Without Cap

10~18 Contacts



Unreeling direction →



Number of Contacts	W±0.3	F±0.1	S±0.1	Q'ty/Reel
02P	16	7.50	/	1,000
03P	24	11.50		1,000
04P	24	11.50		1,000
05P	24	11.50		1,000
06P	24	11.50		1,000
07P	24	11.50		1,000
08P	24	11.50		1,000
09P	24	11.50		1,000
10P	32	14.20		28.40
11P	32	14.20	28.40	1,000
12P	44	20.20	40.40	1,000
13P	44	20.20	40.40	1,000
14P	44	20.20	40.40	1,000
15P	44	20.20	40.40	1,000
16P	44	20.20	40.40	1,000
17P	44	20.20	40.40	1,000
18P	44	20.20	40.40	1,000

NOTE:

Material: Transparent
Anti-static Polystyrene.



燦達電子工業股份有限公司
JOINT TECH ELECTRONIC IND. CO., LTD.

UNIT	SCALE	SHEET
mm	1 : 1	2 of 2

TITLE:

1.25mm PITCH
180° WAFER-SMT TYPE,
DUAL ROW, TAPING SPEC.

DRAWN BY	APPROVED BY
周傑亮	董正一
2012.10.18	2012.10.18

DRAW NO.:	REV.
A1250WV-S-XPNXXXXXXXXXX	A2

REV.	DESCRIPTION	DATE	NAME
A2	EN1411100001	2014.11.10	劉建芳
A1	EN1301240032	2013.01.24	周傑亮
A0	NEW RELEASE	2012.10.18	周傑亮
REV.	DESCRIPTION	DATE	NAME

GENERAL TOLERANCE	
X. X±0.25	ANGLE±
X. XX±0.15	
X. XXX±0.05	