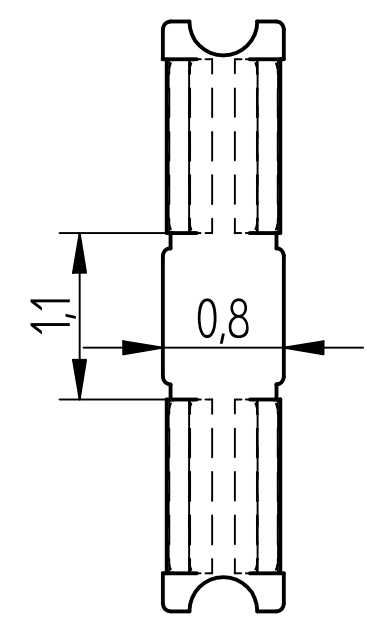
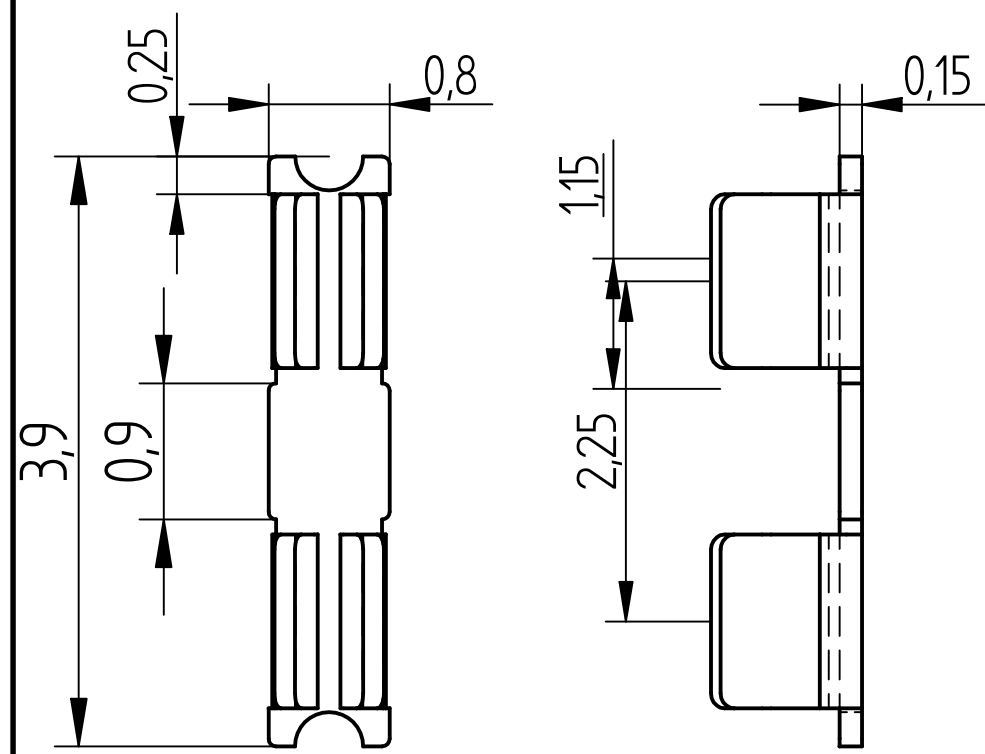
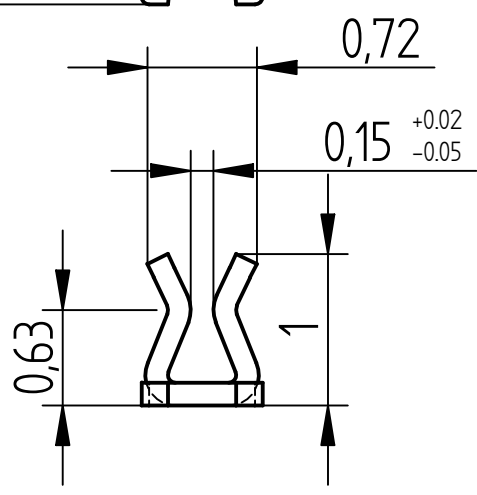
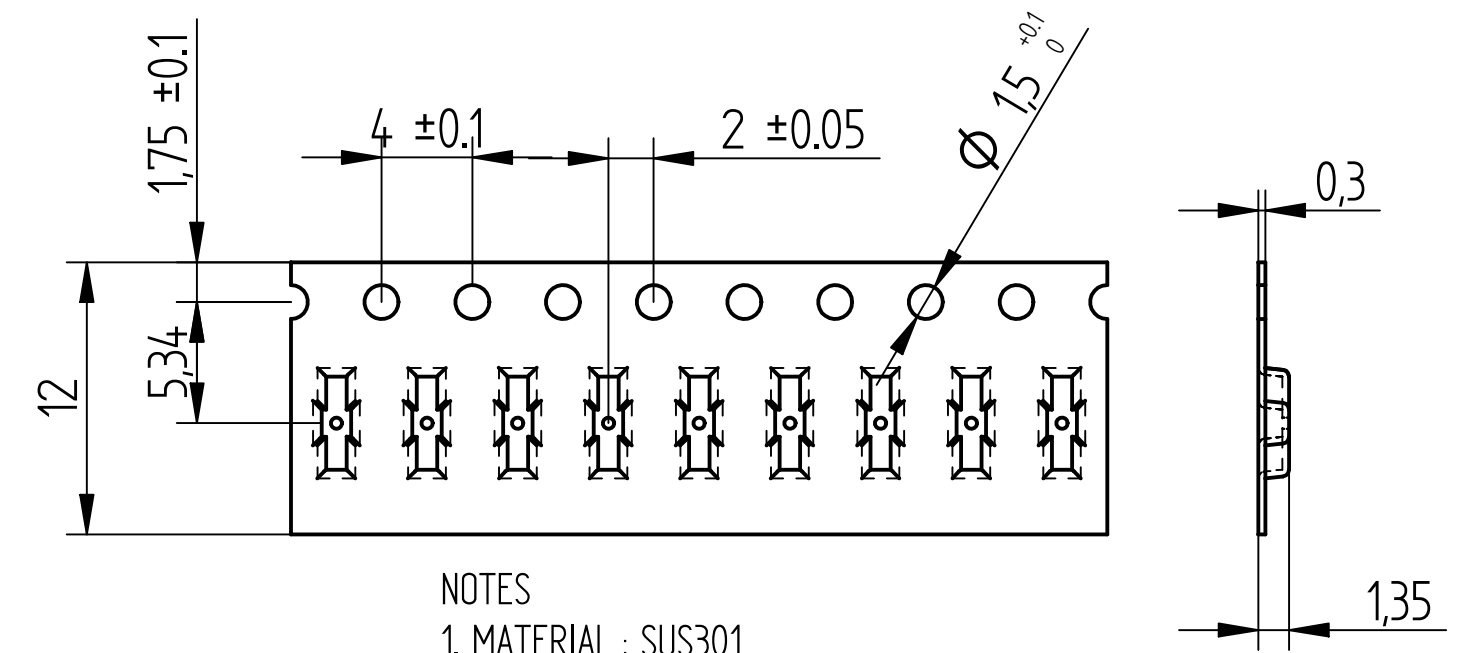


REVISION HISTORY

REV	DESCRIPTION	DATE	APPROVED
A	신규 제정	2009.06.05	P.K.KO



TAPING 사양도 SCALE 3/1

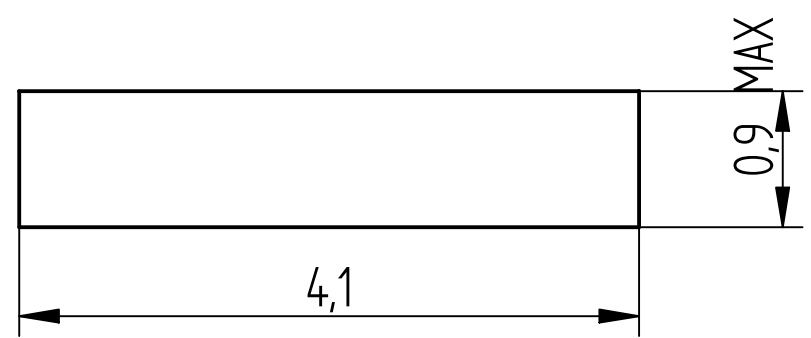


SCALE : 20/1

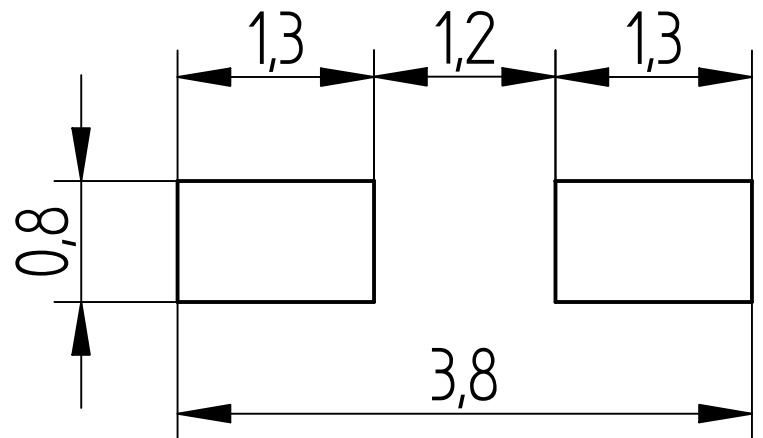
NOTES

1. MATERIAL : SUS301
2. MATERIAL THICKNESS : 0.15t
3. FINISHED : Sn(100%) PLATING ON BOTH SIDE
4. PACKING MATERIALS.
 - REEL : HIPS 0.3t
 - COVER TAPE : PS
 - Q'TY/REEL : 10,000ea
5. AVAILABLE SHIELD CASE THICKNESS : 0.2 ± 0.02
6. CONTACT RESISTANCE 300mmΩMAX
7. INTENTION FORCE/RETENTION FORCE SPEC

	INTENTION FORCE	RETENTION FORCE	
SPEC	MAX 1.3Kg	MIN 0.5Kg	0.2T



RECOMMENDED PCB LAYOUT



RECOMMENDED STENCIL LAY-OUT 0.1T

UNLESS OTHERWISE SPECIFIED
DIMENSIONS ARE IN MILLIMETERS
TOLERANCES ARE
ANGLES ± 0.3°
0 ~ 1 ± 0.05
1 ~ 5 ± 0.1
5 ~ 10 ± 0.15

(주)이노칩테크놀로지		
TITLE SHLED CLIP		
SIZE A3	DWG NO ICSRC3908SFR	REV B
FILE NAME: ICSRC3908SFR.dft		
SCALE:	WEIGHT:	SHEET 1 OF 1