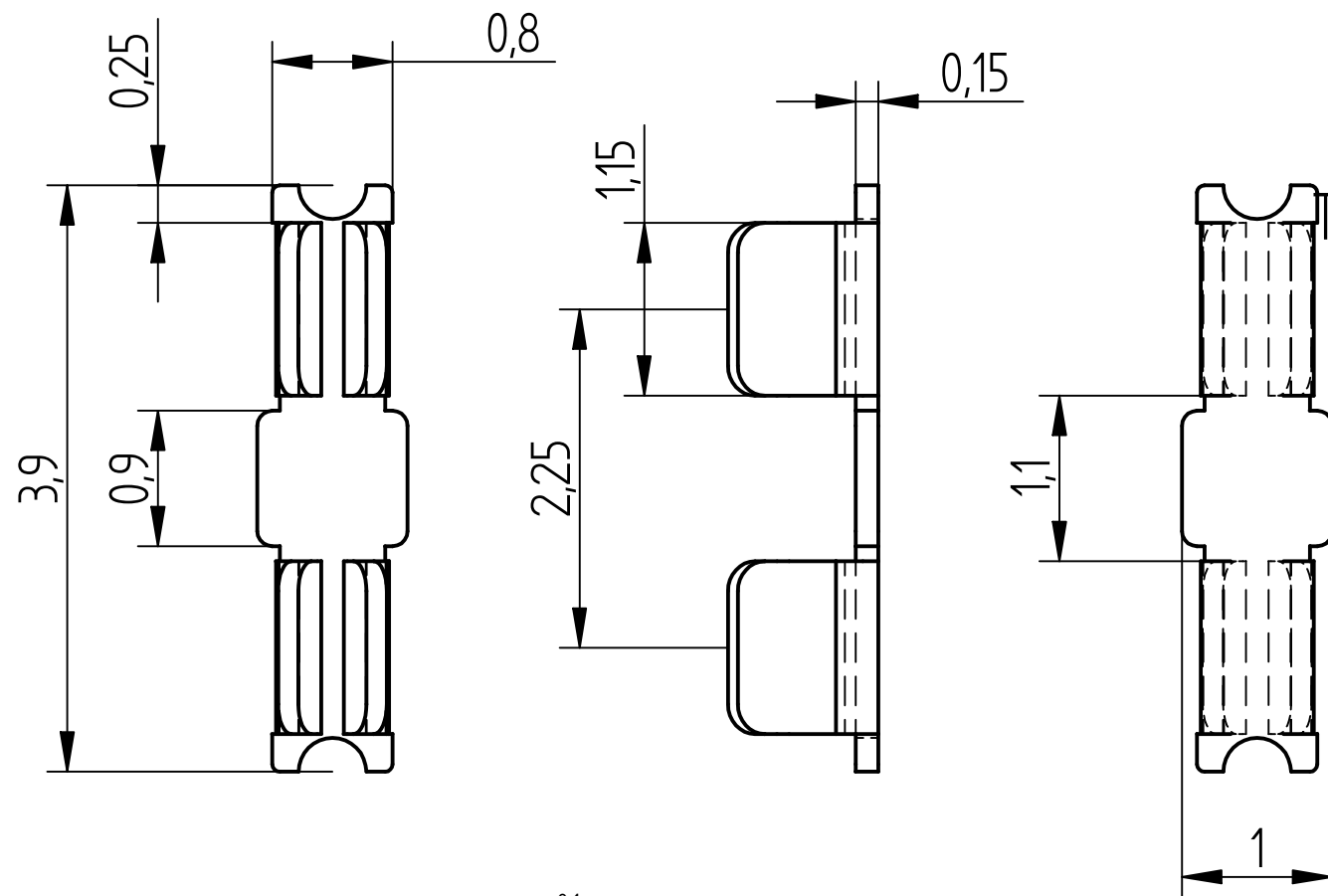
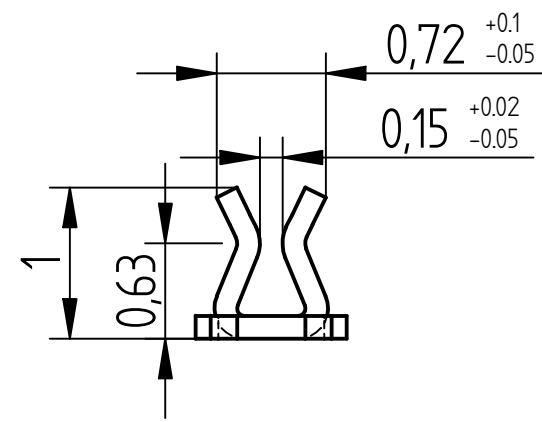


REVISION HISTORY

REV	DESCRIPTION	DATE	APPROVED
A	신규제정	2009,06,05	P.K.KO
B	인입부 공차 변경 0.72 +0.1 -0.05	2012,2,17	P.K.KO
C	SHIELD CASE THICKNESS 0.2±0.02 => 0.2 +0.02 -0	2012.03.30	P.K.KOH



TAPING 사양도 (SCALE 3/1)



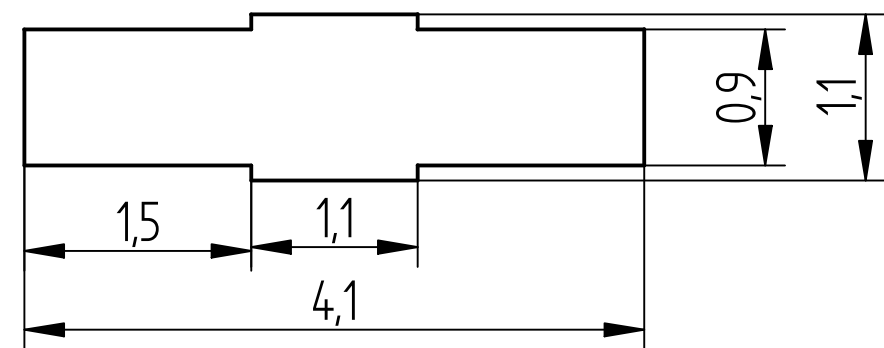
SCALE : 20 / 1

NOTES

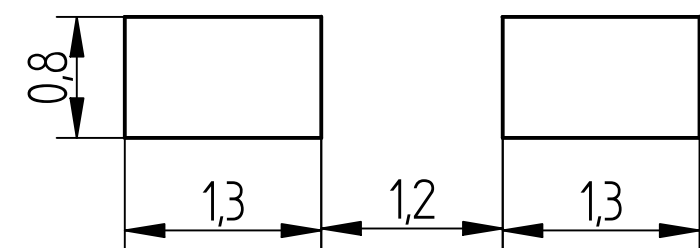
1. MATERIAL : SUS301
2. MATERIAL THICKNESS : 0.15t
3. FINISHED : Sn(100%) PLATING ON BOTH SIDE
(Ni 0.5µm Sn 1.27µm)
4. PACKING MATERIALS.
- REEL : HIPS 0.3t
- COVER TAPE : PS
_ Q'TY/REEL : 10,000ea
5. AVAILABLE SHIELD CASE THICKNESS : 0.2 +0.02 -0
6. CONTACT RESISTANCE 300mΩ MAX
7. INTENTION FORCE/RETENTION FORCE SPEC

	INTENTION FORCE	RETENTION FORCE
SPEC	MAX 1.3Kg	MIN 0.5Kg

8. STENCIL THICKNESS : 0.12T
9. Maintain 90° ± 3 while engage & disengage shield can & shield clip to prevent deformation & to maintain retention force of shield clip



RECOMMENDED PCB LAYOUT



RECOMMENDED STENCIL LAY-OUT 0.1T

UNLESS OTHERWISE SPECIFIED
DIMENSIONS ARE IN MILLIMETERS
TOLERANCES ARE
ANGLES ± 0.3°
0 ~ 1 ± 0.05
1 ~ 5 ± 0.1
5 ~ 10 ± 0.15

TITLE SHLED CLIP		
SIZE A3	DWG NO ICSRC3910SFR	REV C
FILE NAME: ICSRC3910SFR.dft		
SCALE:	WEIGHT:	SHEET 1 OF 1