

# MINIATURE SMD CHIP CHOKE COILS

闭磁路贴片电感

Wire Wound SMD Power Inductors

Operating Temp: -20°C ~ 120°C



**特征:**

- 轻便薄小
- 大电流低直流阻抗
- 直接在磁芯上金属化电极，抗跌落冲击强，经久耐用
- 闭合磁路结构设计，漏磁少，抗 EMI 能力强
- 省空间，更省电

**FEATURES:**

- Compact and thin.
- Large Current and Low DCR.
- Metallization on Ferrite Core results in excellent shock resistance and damage-free durability
- Closed magnetic circuit design reduces leakage flux and Electro Magnetic Interference (EMI)
- Takes up less PCB real estate and save more power

**用途:**

- 广泛应用于 LED 背光板、平板电视、蓝光 DVD 机顶盒、笔记本电脑、台式电脑、服务器、显卡、便携式游戏机、个人导航系统、多媒体、汽车产品、通信设备、直流转换。

**APPLICATIONS**

- LED backlight、Flat-screen TVs, blue-ray disc recorders, set top box、Notebooks, desktop computers, servers, graphic cards、Portable gaming devices, personal navigation systems, personal multimedia devices, Automotive systems Telecomm base station、DC-DC converter

**产品型号:**

**PRODUCT IDENTIFICATION**

**SMNR                      8040                      470                      M                      T**

①                                      ②                                      ③                                      ④                                      ⑤

①

|         |   |
|---------|---|
| 类型 Type |   |
| SMNR    | 闭磁路贴片电感<br>Unshielded SMT Power Inductors |

②

|  |             |
|--|-------------|
| 外形尺寸(LxH) (mm)<br>External Dimensions (LxWxH) (mm) |             |
| 8040   | 8.0X8.0x4.0 |

③

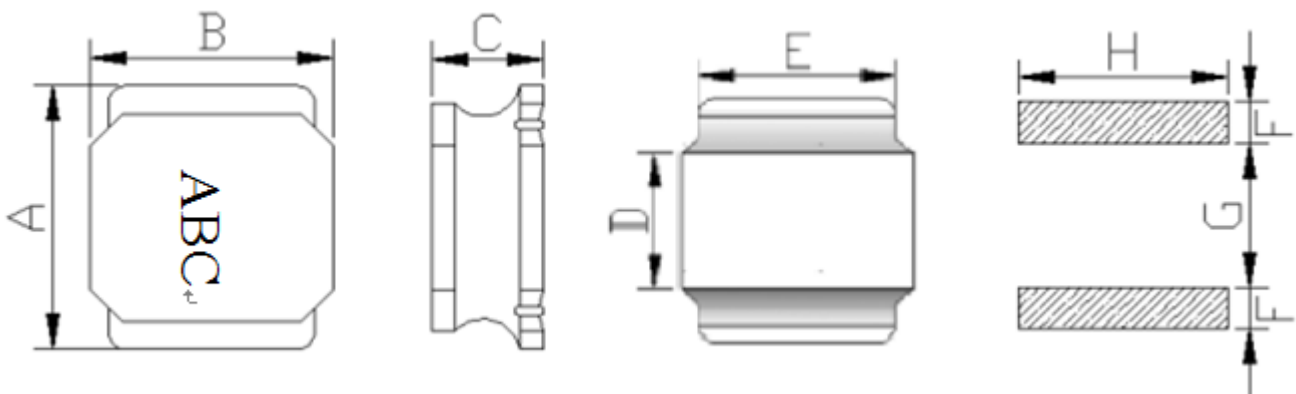
|            |
|------------|
| Inductance |
| 47 uH      |

④

|   |
|---|
| Tolerance   |
| J: ±5%, K: ±10%, L: ±15%<br>M: ±20%, P: ±25%, N: ±30% |

⑤

|            |                 |
|------------|-----------------|
| 包装 Packing |                 |
| B          | 散装 Bulk Package |
| T          | 编带 Tape & Reel  |



# MINIATURE SMD CHIP CHOKE COILS

| Part No  | A       | B       | C max | D       | E       | F Typ | G Typ | H Typ |
|----------|---------|---------|-------|---------|---------|-------|-------|-------|
| SMNR3010 | 3.0±0.3 | 3.0±0.3 | 1.0   | 1.5±0.2 | 2.5±0.2 | 0.8   | 1.5   | 2.7   |
| SMNR3012 | 3.0±0.3 | 3.0±0.3 | 1.2   | 1.5±0.2 | 2.5±0.2 | 0.8   | 1.5   | 2.7   |
| SMNR3015 | 3.0±0.3 | 3.0±0.3 | 1.5   | 1.5±0.2 | 2.5±0.2 | 0.8   | 1.5   | 2.7   |
| SMNR4010 | 4.0±0.3 | 4.0±0.3 | 1.0   | 2.1±0.2 | 3.3±0.2 | 1.1   | 1.9   | 3.7   |
| SMNR4012 | 4.0±0.3 | 4.0±0.3 | 1.2   | 2.1±0.2 | 3.3±0.2 | 1.1   | 1.9   | 3.7   |
| SMNR4018 | 4.0±0.3 | 4.0±0.3 | 1.8   | 2.1±0.2 | 3.3±0.2 | 1.1   | 1.9   | 3.7   |
| SMNR4020 | 4.0±0.3 | 4.0±0.3 | 2.0   | 2.1±0.2 | 3.3±0.2 | 1.1   | 1.9   | 3.7   |
| SMNR4030 | 4.0±0.3 | 4.0±0.3 | 3.0   | 2.1±0.2 | 3.3±0.2 | 1.1   | 1.9   | 3.7   |
| SMNR5020 | 4.0±0.3 | 4.0±0.3 | 2.0   | 2.5±0.2 | 4.0±0.2 | 1.4   | 2.3   | 4.2   |
| SMNR5030 | 4.0±0.3 | 4.0±0.3 | 3.0   | 2.5±0.2 | 4.0±0.2 | 1.4   | 2.3   | 4.2   |
| SMNR5040 | 4.0±0.3 | 4.0±0.3 | 4.0   | 2.5±0.2 | 4.0±0.2 | 1.4   | 2.3   | 4.2   |
| SMNR6020 | 6.0±0.3 | 6.0±0.3 | 2.0   | 2.9±0.3 | 4.9±0.3 | 1.7   | 2.8   | 5.7   |
| SMNR6028 | 6.0±0.3 | 6.0±0.3 | 3.0   | 2.9±0.3 | 4.9±0.3 | 1.7   | 2.8   | 5.7   |
| SMNR6045 | 6.0±0.3 | 6.0±0.3 | 4.5   | 2.9±0.3 | 4.9±0.3 | 1.7   | 2.8   | 5.7   |
| SMNR8040 | 8.0±0.3 | 8.0±0.3 | 4.0   | 4.0±0.3 | 6.3±0.3 | 2.2   | 3.8   | 7.5   |

## SMNR3010 Series

| Part No.       | Inductance (uH) |       |             | DCR (OHM) Max | Rated DC Current (Amp)Max |
|----------------|-----------------|-------|-------------|---------------|---------------------------|
|                | Nominal Value   | Tole. | Test Freq.  |               |                           |
| SMNR3010 -1R0N | 1.0             | N     | 100KHz/1.0v | 0.07          | 1.30                      |
| SMNR3010 -1R5N | 1.5             | N     | 100KHz/1.0v | 0.08          | 1.20                      |
| SMNR3010 -2R2N | 2.2             | N     | 100KHz/1.0v | 0.10          | 1.10                      |
| SMNR3010 -3R3N | 3.3             | N     | 100KHz/1.0v | 0.14          | 0.87                      |
| SMNR3010 -4R7N | 4.7             | N     | 100KHz/1.0v | 0.19          | 0.75                      |
| SMNR3010 -6R8N | 6.8             | N     | 100KHz/1.0v | 0.30          | 0.62                      |
| SMNR3010 -100M | 10              | M     | 100KHz/1.0v | 0.45          | 0.50                      |
| SMNR3010 -150M | 15              | M     | 100KHz/1.0v | 0.74          | 0.40                      |
| SMNR3010 -220M | 22              | M     | 100KHz/1.0v | 1.03          | 0.35                      |
| SMNR3010 -330M | 33              | M     | 100KHz/1.0v | 1.55          | 0.26                      |
| SMNR3010 -470M | 47              | M     | 100KHz/1.0v | 2.05          | 0.22                      |

## SMNR3012 Series

| Part No.       | Inductance (uH) |       |             | DCR (OHM) Max | Rated DC Current (Amp)Max |
|----------------|-----------------|-------|-------------|---------------|---------------------------|
|                | Nominal Value   | Tole. | Test Freq.  |               |                           |
| SMNR3012 -1R0N | 1.0             | N     | 100KHz/1.0v | 0.05          | 1.50                      |
| SMNR3012 -1R5N | 1.5             | N     | 100KHz/1.0v | 0.06          | 1.36                      |
| SMNR3012 -2R2N | 2.2             | N     | 100KHz/1.0v | 0.08          | 1.10                      |
| SMNR3012 -3R3N | 3.3             | N     | 100KHz/1.0v | 0.10          | 0.91                      |
| SMNR3012 -4R7N | 4.7             | N     | 100KHz/1.0v | 0.13          | 0.77                      |
| SMNR3012 -6R8N | 6.8             | N     | 100KHz/1.0v | 0.19          | 0.67                      |
| SMNR3012 -100M | 10              | M     | 100KHz/1.0v | 0.29          | 0.54                      |
| SMNR3012 -150M | 15              | M     | 100KHz/1.0v | 0.45          | 0.44                      |
| SMNR3012 -220M | 22              | M     | 100KHz/1.0v | 0.63          | 0.38                      |
| SMNR3012 -330M | 33              | M     | 100KHz/1.0v | 1.03          | 0.31                      |

# MINIATURE SMD CHIP CHOKE COILS

## SMNR3015 Series

| Part No.       | Inductance (uH) |       |             | DCR (OHM) Max | Rated DC Current (Amp)Max |
|----------------|-----------------|-------|-------------|---------------|---------------------------|
|                | Nominal Value   | Tole. | Test Freq.  |               |                           |
| SMNR3015 -1R0N | 1.0             | N     | 100KHz/1.0v | 0.03          | 2.10                      |
| SMNR3015 -1R5N | 1.5             | N     | 100KHz/1.0v | 0.04          | 1.80                      |
| SMNR3015 -2R2N | 2.2             | N     | 100KHz/1.0v | 0.06          | 1.48                      |
| SMNR3015 -3R3N | 3.3             | N     | 100KHz/1.0v | 0.08          | 1.21                      |
| SMNR3015 -4R7N | 4.7             | N     | 100KHz/1.0v | 0.12          | 1.02                      |
| SMNR3015 -6R8N | 6.8             | N     | 100KHz/1.0v | 0.16          | 0.87                      |
| SMNR3015 -100M | 10              | M     | 100KHz/1.0v | 0.23          | 0.70                      |
| SMNR3015 -150M | 15              | M     | 100KHz/1.0v | 0.36          | 0.56                      |
| SMNR3015 -220M | 22              | M     | 100KHz/1.0v | 0.52          | 0.47                      |
| SMNR3015 -330M | 33              | M     | 100KHz/1.0v | 0.84          | 0.39                      |
| SMNR3015 -470M | 47              | M     | 100KHz/1.0v | 1.34          | 0.32                      |

## MNR4010 Series

| Part No.       | Inductance (uH) |       |             | DCR (OHM) Max | Rated DC Current (Amp)Max |
|----------------|-----------------|-------|-------------|---------------|---------------------------|
|                | Nominal Value   | Tole. | Test Freq.  |               |                           |
| SMNR4010 -1R0N | 1.0             | N     | 100KHz/1.0v | 0.070         | 2.00                      |
| SMNR4010 -2R2N | 2.2             | N     | 100KHz/1.0v | 0.105         | 1.20                      |
| SMNR4010 -3R3N | 3.3             | N     | 100KHz/1.0v | 0.125         | 1.10                      |
| SMNR4010 -4R7N | 4.7             | N     | 100KHz/1.0v | 0.26          | 0.95                      |
| SMNR4010 -6R8N | 6.8             | N     | 100KHz/1.0v | 0.27          | 0.80                      |
| SMNR4010 -100M | 10              | M     | 100KHz/1.0v | 0.380         | 0.62                      |
| SMNR4010 -150M | 15              | M     | 100KHz/1.0v | 0.550         | 0.54                      |
| SMNR4010 -220M | 22              | M     | 100KHz/1.0v | 0.700         | 0.45                      |
| SMNR4010 -330M | 33              | M     | 100KHz/1.0v | 0.780         | 0.28                      |
| SMNR4010 -470M | 47              | M     | 100KHz/1.0v | 0.990         | 0.16                      |

## SMNR4012 Series

| Part No.       | Inductance (uH) |       |             | DCR (OHM) Max | Rated DC Current (Amp)Max |
|----------------|-----------------|-------|-------------|---------------|---------------------------|
|                | Nominal Value   | Tole. | Test Freq.  |               |                           |
| SMNR4012 -1R0N | 1.0             | N     | 100KHz/1.0v | 0.06          | 2.50                      |
| SMNR4012 -2R2N | 2.2             | N     | 100KHz/1.0v | 0.100         | 1.65                      |
| SMNR4012 -3R3N | 3.3             | N     | 100KHz/1.0v | 0.135         | 1.20                      |
| SMNR4012 -4R7N | 4.7             | N     | 100KHz/1.0v | 0.170         | 1.05                      |
| SMNR4012 -6R8N | 6.8             | N     | 100KHz/1.0v | 0.240         | 0.90                      |
| SMNR4012 -100M | 10              | M     | 100KHz/1.0v | 0.330         | 0.74                      |
| SMNR4012 -150M | 15              | M     | 100KHz/1.0v | 0.40          | 0.56                      |
| SMNR4012 -220M | 22              | M     | 100KHz/1.0v | 0.700         | 0.51                      |
| SMNR4012 -330M | 33              | M     | 100KHz/1.0v | 0.960         | 0.40                      |
| SMNR4012 -470M | 47              | M     | 100KHz/1.0v | 1.350         | 0.35                      |

# MINIATURE SMD CHIP CHOKE COILS

## SMNR4018 Series

| Part No.       | Inductance (uH) |       |             | DCR (OHM) Max | Rated DC Current (Amp)Max |
|----------------|-----------------|-------|-------------|---------------|---------------------------|
|                | Nominal Value   | Tole. | Test Freq.  |               |                           |
| SMNR4018 -1R0N | 1.0             | N     | 100KHz/1.0v | 0.030         | 4.80                      |
| SMNR4018 -1R5N | 1.5             | N     | 100KHz/1.0v | 0.036         | 3.35                      |
| SMNR4018 -2R2N | 2.2             | N     | 100KHz/1.0v | 0.550         | 2.70                      |
| SMNR4018 -3R3N | 3.3             | N     | 100KHz/1.0v | 0.880         | 2.45                      |
| SMNR4018 -4R7N | 4.7             | M     | 100KHz/1.0v | 0.115         | 1.70                      |
| SMNR4018 -6R8N | 6.8             | M     | 100KHz/1.0v | 0.140         | 1.45                      |
| SMNR4018 -100M | 10              | M     | 100KHz/1.0v | 0.230         | 1.30                      |
| SMNR4018 -150M | 15              | M     | 100KHz/1.0v | 0.320         | 0.94                      |
| SMNR4018 -220M | 22              | M     | 100KHz/1.0v | 0.400         | 0.80                      |
| SMNR4018 -330M | 33              | M     | 100KHz/1.0v | 0.660         | 0.56                      |
| SMNR4018 -470M | 47              | M     | 100KHz/1.0v | 0.760         | 0.50                      |
| SMNR4018 -680M | 68              | M     | 100KHz/1.0v | 1.280         | 0.47                      |
| SMNR4018 -101M | 100             | M     | 100KHz/1.0v | 2.200         | 0.40                      |
| SMNR4018 -151M | 150             | M     | 100KHz/1.0v | 3.000         | 0.31                      |

## SMNR4020 Series

| Part No.       | Inductance (uH) |       |             | DCR (OHM) Max | Rated DC Current (Amp)Max |
|----------------|-----------------|-------|-------------|---------------|---------------------------|
|                | Nominal Value   | Tole. | Test Freq.  |               |                           |
| SMNR4020 -1R0N | 1.0             | M     | 100KHz/1.0v | 0.03          | 4.00                      |
| SMNR4020 -2R2N | 2.2             | M     | 100KHz/1.0v | 0.06          | 2.70                      |
| SMNR4020 -3R3N | 3.3             | M     | 100KHz/1.0v | 0.07          | 2.00                      |
| SMNR4020 -4R7N | 4.7             | M     | 100KHz/1.0v | 0.09          | 1.70                      |
| SMNR4020 -6R8N | 6.8             | M     | 100KHz/1.0v | 0.11          | 1.45                      |
| SMNR4020 -100M | 10              | M     | 100KHz/1.0v | 0.18          | 1.20                      |
| SMNR4020 -150M | 15              | M     | 100KHz/1.0v | 0.25          | 0.94                      |
| SMNR4020 -220M | 22              | M     | 100KHz/1.0v | 0.36          | 0.80                      |
| SMNR4020 -330M | 33              | M     | 100KHz/1.0v | 0.53          | 0.65                      |
| SMNR4020 -470M | 47              | M     | 100KHz/1.0v | 0.65          | 0.57                      |
| SMNR4020 -680M | 68              | M     | 100KHz/1.0v | 1.00          | 0.47                      |

# MINIATURE SMD CHIP CHOKE COILS

## SMNR4030 Series

| Part No.       | Inductance (uH) |       |             | DCR (OHM) Max | Rated DC Current (Amp)Max |
|----------------|-----------------|-------|-------------|---------------|---------------------------|
|                | Nominal Value   | Tole. | Test Freq.  |               |                           |
| SMNR4030 -1R0N | 1.0             | N     | 100KHz/1.0v | 0.018         | 5.26                      |
| MNR4030 -1R5N  | 1.5             | N     | 00KHz/1.0v  | 0.026         | 4.85                      |
| SMNR4030 -2R2N | 2.2             | N     | 100KHz/1.0v | 0.039         | 4.40                      |
| SMNR4030 -3R3N | 3.3             | N     | 100KHz/1.0v | 0.050         | 3.30                      |
| SMNR4030 -4R7N | 4.7             | N     | 100KHz/1.0v | 0.076         | 2.90                      |
| SMNR4030 -6R8N | 6.8             | N     | 100KHz/1.0v | 0.115         | 2.75                      |
| SMNR4030 -8R2N | 8.2             | N     | 100KHz/1.0v | 0.122         | 2.10                      |
| SMNR4030 -100M | 10              | M     | 100KHz/1.0v | 0.130         | 1.95                      |
| SMNR4030 -120M | 12              | M     | 100KHz/1.0v | 0.172         | 1.70                      |
| SMNR4030 -150M | 15              | M     | 100KHz/1.0v | 0.230         | 1.65                      |
| SMNR4030 -220M | 22              | M     | 100KHz/1.0v | 0.290         | 1.30                      |
| SMNR4030 -330M | 33              | M     | 100KHz/1.0v | 0.420         | 1.10                      |
| SMNR4030 -470M | 47              | M     | 100KHz/1.0v | 0.570         | 0.95                      |
| SMNR4030 -680M | 68              | M     | 100KHz/1.0v | 1.100         | 0.72                      |
| SMNR4030 -820M | 82              | M     | 100KHz/1.0v | 1.280         | 0.66                      |
| SMNR4030 -101M | 100             | M     | 100KHz/1.0v | 1.480         | 0.60                      |
| SMNR4030 -121M | 120             | M     | 100KHz/1.0v | 1.700         | 0.55                      |

## SMNR5020 Series

| Part No.       | Inductance (uH) |       |             | DCR (OHM) Max | Rated DC Current (Amp)Max |
|----------------|-----------------|-------|-------------|---------------|---------------------------|
|                | Nominal Value   | Tole. | Test Freq.  |               |                           |
| SMNR5020 -1R0N | 1.0             | N     | 100KHz/1.0v | 0.025         | 4.10                      |
| SMNR5020 -1R5N | 1.5             | N     | 00KHz/1.0v  | 0.032         | 3.80                      |
| SMNR5020 -2R2N | 2.2             | N     | 100KHz/1.0v | 0.040         | 3.20                      |
| SMNR5020 -3R3N | 3.3             | N     | 100KHz/1.0v | 0.054         | 2.55                      |
| SMNR5020 -4R7N | 4.7             | N     | 100KHz/1.0v | 0.074         | 2.40                      |
| SMNR5020 -6R8N | 6.8             | N     | 100KHz/1.0v | 0.107         | 2.05                      |
| SMNR5020 -8R2N | 8.2             | N     | 100KHz/1.0v | 0.125         | 1.85                      |
| SMNR5020 -100M | 10              | M     | 100KHz/1.0v | 0.140         | 1.70                      |
| SMNR5020 -120M | 12              | M     | 100KHz/1.0v | 0.180         | 1.50                      |
| SMNR5020 -150M | 15              | M     | 100KHz/1.0v | 0.210         | 1.35                      |
| SMNR5020 -220M | 22              | M     | 100KHz/1.0v | 0.290         | 1.15                      |
| SMNR5020 -330M | 33              | M     | 100KHz/1.0v | 0.500         | 0.95                      |
| SMNR5020 -470M | 47              | M     | 100KHz/1.0v | 0.670         | 0.77                      |
| SMNR5020 -680M | 68              | M     | 100KHz/1.0v | 1.050         | 0.72                      |
| SMNR5020 -820M | 82              | M     | 100KHz/1.0v | 1.280         | 0.66                      |
| SMNR5020 -101M | 100             | M     | 100KHz/1.0v | 1.480         | 0.57                      |
| SMNR5020 -121M | 120             | M     | 100KHz/1.0v | 1.700         | 0.49                      |

# MINIATURE SMD CHIP CHOKE COILS

## SMNR5040 Series

| Part No.       | Inductance (uH) |       |             | DCR (OHM) Max | Rated DC Current (Amp)Max |
|----------------|-----------------|-------|-------------|---------------|---------------------------|
|                | Nominal Value   | Tole. | Test Freq.  |               |                           |
| SMNR5040 -1R0N | 1.0             | N     | 100KHz/1.0v | 0.015         | 4.10                      |
| SMNR5040 -1R5N | 1.5             | N     | 00KHz/1.0v  | 0.020         | 6.50                      |
| SMNR5040 -2R2N | 2.2             | N     | 100KHz/1.0v | 0.025         | 4.90                      |
| SMNR5040 -3R3N | 3.3             | N     | 100KHz/1.0v | 0.031         | 3.95                      |
| SMNR5040 -4R7N | 4.7             | N     | 100KHz/1.0v | 0.039         | 2.50                      |
| SMNR5040 -6R8N | 6.8             | N     | 100KHz/1.0v | 0.056         | 2.90                      |
| SMNR5040 -8R2N | 8.2             | N     | 100KHz/1.0v | 0.070         | 2.60                      |
| SMNR5040 -100M | 10              | M     | 100KHz/1.0v | 0.082         | 2.35                      |
| SMNR5040 -120M | 12              | M     | 100KHz/1.0v | 0.102         | 2.12                      |
| SMNR5040 -150M | 15              | M     | 100KHz/1.0v | 0.115         | 2.00                      |
| SMNR5040 -220M | 22              | M     | 100KHz/1.0v | 0.167         | 1.60                      |
| SMNR5040 -330M | 33              | M     | 100KHz/1.0v | 0.244         | 1.30                      |
| SMNR5040 -470M | 47              | M     | 100KHz/1.0v | 0.353         | 1.10                      |
| SMNR5040 -680M | 68              | M     | 100KHz/1.0v | 0.520         | 0.90                      |
| SMNR5040 -820M | 82              | M     | 100KHz/1.0v | 0.660         | 0.80                      |
| SMNR5040 -101M | 100             | M     | 100KHz/1.0v | 0.728         | 0.75                      |
| SMNR5040 -121M | 120             | M     | 100KHz/1.0v | 0.950         | 0.50                      |

## SMNR6020 Series

| Part No.       | Inductance (uH) |       |             | DCR (OHM) Max | Rated DC Current (Amp)Max |
|----------------|-----------------|-------|-------------|---------------|---------------------------|
|                | Nominal Value   | Tole. | Test Freq.  |               |                           |
| SMNR6020 -R68N | 0.68            | N     | 100KHz/1.0v | 0.022         | 6.55                      |
| SMNR6020 -R82N | 0.82            | N     | 100KHz/1.0v | 0.023         | 5.30                      |
| SMNR6020 -1R0N | 1.0             | N     | 100KHz/1.0v | 0.026         | 4.15                      |
| SMNR6020 -1R5N | 1.5             | N     | 100KHz/1.0v | 0.028         | 4.10                      |
| SMNR6020 -1R8N | 1.8             | N     | 100KHz/1.0v | 0.036         | 4.05                      |
| SMNR6020 -2R2N | 2.2             | N     | 100KHz/1.0v | 0.038         | 4.00                      |
| SMNR6020 -3R3N | 3.3             | N     | 100KHz/1.0v | 0.045         | 3.15                      |
| SMNR6020 -3R9N | 3.9             | N     | 100KHz/1.0v | 0.060         | 3.10                      |
| SMNR6020 -4R7N | 4.7             | N     | 100KHz/1.0v | 0.075         | 3.00                      |
| SMNR6020 -5R6N | 5.6             | N     | 100KHz/1.0v | 0.077         | 2.40                      |
| SMNR6020 -6R8N | 6.8             | N     | 100KHz/1.0v | 0.100         | 2.20                      |
| SMNR6020 -8R2N | 8.2             | N     | 100KHz/1.0v | 0.130         | 2.10                      |
| SMNR6020 -100M | 10              | M     | 100KHz/1.0v | 0.135         | 1.75                      |
| SMNR6020 -120M | 12              | M     | 100KHz/1.0v | 0.150         | 1.45                      |
| SMNR6020 -150M | 15              | M     | 100KHz/1.0v | 0.188         | 1.20                      |
| SMNR6020 -180M | 18              | M     | 100KHz/1.0v | 0.230         | 1.16                      |
| SMNR6020 -220M | 22              | M     | 100KHz/1.0v | 0.260         | 1.05                      |

# MINIATURE SMD CHIP CHOKE COILS

## SMNR6028 Series

| Part No.       | Inductance (uH) |       |             | DCR (OHM) Max | Rated DC Current (Amp)Max |
|----------------|-----------------|-------|-------------|---------------|---------------------------|
|                | Nominal Value   | Tole. | Test Freq.  |               |                           |
| SMNR6028 -1R0N | 1.0             | N     | 100KHz/1.0v | 0.013         | 5.75                      |
| SMNR6028 -1R5N | 1.5             | N     | 100KHz/1.0v | 0.016         | 5.50                      |
| SMNR6028 -2R2N | 2.2             | N     | 100KHz/1.0v | 0.026         | 5.10                      |
| SMNR6028 -3R3N | 3.3             | N     | 100KHz/1.0v | 0.032         | 4.15                      |
| SMNR6028 -4R7N | 4.7             | N     | 100KHz/1.0v | 0.039         | 3.00                      |
| SMNR6028 -6R2N | 6.2             | N     | 100KHz/1.0v | 0.061         | 3.05                      |
| SMNR6028 -8R2N | 8.2             | N     | 100KHz/1.0v | 0.071         | 2.30                      |
| SMNR6028 -100M | 10              | M     | 100KHz/1.0v | 0.093         | 2.04                      |
| SMNR6028 -120M | 12              | M     | 100KHz/1.0v | 0.104         | 1.80                      |
| SMNR6028 -150M | 15              | M     | 100KHz/1.0v | 0.162         | 1.75                      |
| SMNR6028 -180M | 18              | M     | 100KHz/1.0v | 0.169         | 1.52                      |
| SMNR6028 -220M | 22              | M     | 100KHz/1.0v | 0.182         | 1.45                      |
| SMNR6028 -330M | 33              | M     | 100KHz/1.0v | 0.240         | 1.35                      |
| SMNR6028 -390M | 39              | M     | 100KHz/1.0v | 0.292         | 1.25                      |
| SMNR6028 -470M | 47              | M     | 100KHz/1.0v | 0.400         | 1.15                      |
| SMNR6028 -680M | 68              | M     | 100KHz/1.0v | 0.468         | 0.80                      |
| SMNR6028 -820M | 82              | M     | 100KHz/1.0v | 0.650         | 0.75                      |
| SMNR6028 -101M | 100             | M     | 100KHz/1.0v | 0.675         | 0.65                      |

## SMNR6045 Series

| Part No.       | Inductance (uH) |       |             | DCR (OHM) Max | Rated DC Current (Amp)Max |
|----------------|-----------------|-------|-------------|---------------|---------------------------|
|                | Nominal Value   | Tole. | Test Freq.  |               |                           |
| SMNR6045 -1R0N | 1.0             | N     | 100KHz/1.0v | 0.014         | 9.85                      |
| SMNR6030 -1R5N | 1.5             | N     | 100KHz/1.0v | 0.015         | 8.80                      |
| SMNR6045 -2R2N | 2.2             | N     | 100KHz/1.0v | 0.018         | 6.75                      |
| SMNR6045 -3R3N | 3.3             | N     | 100KHz/1.0v | 0.027         | 5.90                      |
| SMNR6045 -4R7N | 4.7             | N     | 100KHz/1.0v | 0.033         | 4.97                      |
| SMNR6045 -6R8N | 6.8             | N     | 100KHz/1.0v | 0.040         | 3.90                      |
| SMNR6045 -100M | 10              | M     | 100KHz/1.0v | 0.062         | 3.20                      |
| SMNR6045 -150M | 15              | M     | 100KHz/1.0v | 0.088         | 2.50                      |
| SMNR6045 -220M | 22              | M     | 100KHz/1.0v | 0.115         | 2.05                      |
| SMNR6045 -330M | 33              | M     | 100KHz/1.0v | 0.178         | 1.65                      |
| SMNR6045-470M  | 47              | M     | 100KHz/1.0v | 0.260         | 1.40                      |
| SMNR6045-680M  | 68              | M     | 100KHz/1.0v | 0.375         | 1.20                      |
| SMNR6045-820M  | 82              | M     | 100KHz/1.0v | 0.440         | 1.05                      |
| SMNR6045-101M  | 100             | M     | 100KHz/1.0v | 0.562         | 0.95                      |
| SMNR6045-121M  | 120             | M     | 100KHz/1.0v | 0.628         | 0.85                      |
| SMNR6045-151M  | 150             | M     | 100KHz/1.0v | 0.750         | 0.80                      |
| SMNR6045-221M  | 220             | M     | 100KHz/1.0v | 1.050         | 0.70                      |
| SMNR6045-331M  | 330             | M     | 100KHz/1.0v | 1.650         | 0.57                      |

# MINIATURE SMD CHIP CHOKE COILS

## SMNR8040 Series

| Part No.       | Inductance (uH) |       |             | DCR (OHM) Max | Rated DC Current (Amp)Max |
|----------------|-----------------|-------|-------------|---------------|---------------------------|
|                | Nominal Value   | Tole. | Test Freq.  |               |                           |
| SMNR8040 -1R0N | 1.0             | N     | 100KHz/1.0v | 0.010         | 9.85                      |
| SMNR8040 -1R5N | 1.4             | N     | 100KHz/1.0v | 0.013         | 8.15                      |
| SMNR8040 -2R2N | 2.2             | N     | 100KHz/1.0v | 0.015         | 7.10                      |
| SMNR8040 -3R3N | 3.3             | N     | 100KHz/1.0v | 0.022         | 6.50                      |
| SMNR8040 -4R7N | 4.7             | N     | 100KHz/1.0v | 0.024         | 5.9                       |
| SMNR8040 -6R8N | 6.8             | N     | 100KHz/1.0v | 0.031         | 4.55                      |
| SMNR8040 -8R2N | 8.2             | N     | 100KHz/1.0v | 0.033         | 4.20                      |
| SMNR8040 -100M | 10              | M     | 100KHz/1.0v | 0.037         | 3.60                      |
| SMNR8040 -150M | 15              | M     | 100KHz/1.0v | 0.061         | 2.95                      |
| SMNR8040 -180M | 18              | M     | 100KHz/1.0v | 0.068         | 2.70                      |
| SMNR8040 -220M | 22              | M     | 100KHz/1.0v | 0.089         | 2.40                      |
| SMNR8040 -270M | 27              | M     | 100KHz/1.0v | 0.101         | 2.15                      |
| SMNR8040 -330M | 33              | M     | 100KHz/1.0v | 0.126         | 2.05                      |
| SMNR8040 -390M | 39              | M     | 100KHz/1.0v | 0.139         | 1.95                      |
| SMNR8040-470M  | 47              | M     | 100KHz/1.0v | 0.176         | 1.75                      |
| SMNR8040-680M  | 68              | M     | 100KHz/1.0v | 0.254         | 1.45                      |
| SMNR8040 -820M | 82              | M     | 100KHz/1.0v | 0.292         | 1.30                      |
| SMNR8040-101M  | 100             | M     | 100KHz/1.0v | 0.377         | 1.15                      |
| SMNR8040 -121M | 120             | M     | 100KHz/1.0v | 0.434         | 1.12                      |
| SMNR8040 -151M | 150             | M     | 100KHz/1.0v | 0.553         | 1.10                      |
| SMNR8040 -221M | 220             | M     | 100KHz/1.0v | 0.778         | 0.85                      |
| SMNR8040 -331M | 330             | M     | 100KHz/1.0v | 1.155         | 0.68                      |