

# LOW PROFILE SHIELDED SMD POWER INDUCTORS



ASPI-104S



## FEATURES:

- Superior to be high saturation for high density surface mounting
- High energy storage and Low resistance to keep power loss minimum
- Magnetically shielded with ferrite core for low radiation
- Mighty temperature deflection prevents damage during solder reflection

## APPLICATIONS:

- Desktop, notebook, servers
- Network hubs, bridges, routers
- XDSL, PBX base stations
- Power source circuits, DC/DC converters, DC/AC inverters
- Digital TV, DVD, Modem, setup box
- Battery charger

## STANDARD SPECIFICATIONS:

### PARAMETERS

ABRACON P/N:	ASPI-104S xxx Series
Operating temperature:	-40°C to +85°C
Storage temperature:	-40°C to +85°C

Abrakon Part Number	L (μH)	Tolerance %	R <sub>DC</sub> (Ω) Max	I <sub>sat</sub> (A) Max	I <sub>rms</sub> (A) Max
ASPI-104S-7R0	7.0	K, M	0.0270	4.80	4.50
ASPI-104S-100	10	K, M	0.0350	4.40	3.80
ASPI-104S-150	15.0	K, M	0.0500	3.60	3.10
ASPI-104S-180	18.0	K, M	0.0656	2.70	3.20
ASPI-104S-220	22	K, M	0.0730	2.90	2.50
ASPI-104S-270	27	K, M	0.0930	2.30	2.30
ASPI-104S-330	33	K, M	0.0930	2.30	2.20
ASPI-104S-470	47	K, M	0.1356	2.10	1.90
ASPI-104S-680	68	K, M	0.2130	1.50	1.42
ASPI-104S-101	100	K, M	0.3040	1.35	1.25
ASPI-104S-121	120	K, M	0.3500	1.20	1.08
ASPI-104S-151	150	K, M	0.5060	1.15	0.85
ASPI-104S-181	180	K, M	0.6630	1.05	0.70
ASPI-104S-221	220	K, M	0.7560	0.92	0.70
ASPI-104S-331	330	K, M	1.0900	0.70	0.52
ASPI-104S-471	470	K, M	1.6100	0.60	0.50

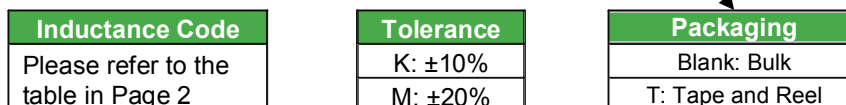
### Test Condition

- \* Test Frequency is 100KHz, 0.1V
- \* Tolerance: K= ±10%; M= ±20%
- \* Inductance drop 35% at Isat
- \* Temperature rise 30°C at I<sub>rms</sub>

## OPTIONS AND PART IDENTIFICATION:

(Left blank if standard)

ASPI -104S - [ ] [ ] - [ ]



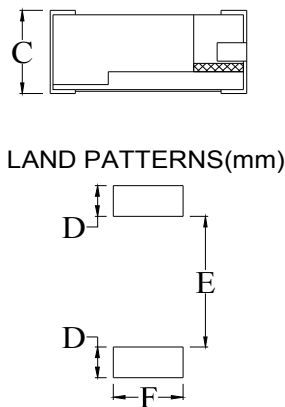
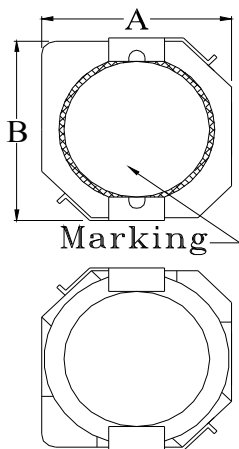
# LOW PROFILE SHIELDED SMD POWER INDUCTORS



ASPI-104S

**Pb** RoHS Compliant

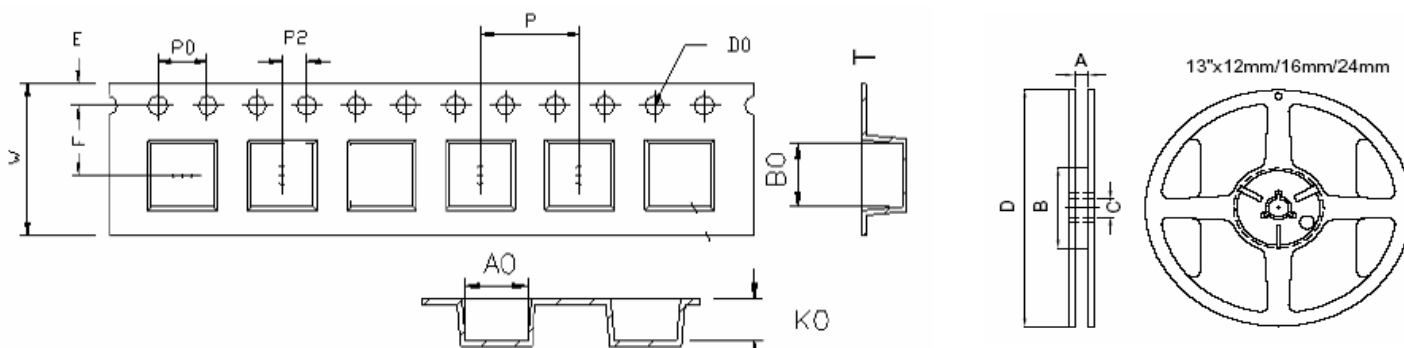
## OUTLINE DIMENSIONS:



Part#	A	B	C	D	E	F
ASPI-104S-xxx	0.394+0.012 (10+0.3)	0.398+0.012 (10.1+0.3)	0.150+0.008 (3.8+0.2)	0.067 (1.7 ref.)	0.287 (7.3 ref.)	0.142 (3.6 ref.)

Dimension : Inches (mm)

## TAPE & REEL: T= tape and reel(1,000pcs per reel)

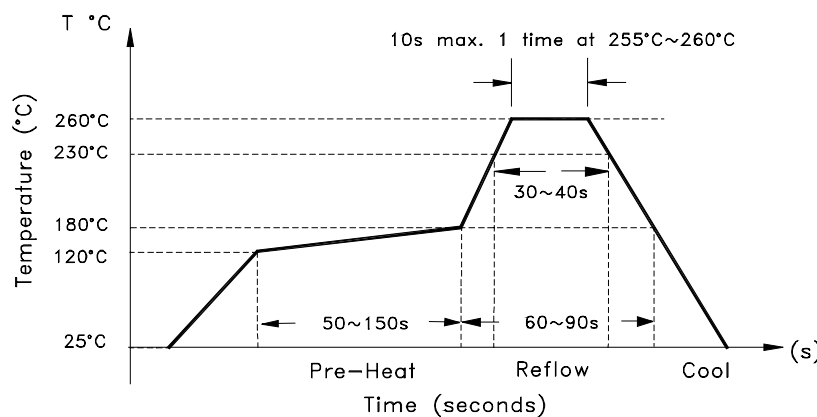


Part#	A0	B0	K0	F	E
ASPI-104S-xxx	10.6±0.1	10.6±0.1	4.6±0.1	11.5±0.1	1.75±0.1
Part#	W	P	P0	P2	T
ASPI-104S-xxx	24±0.3	16±0.1	4.0±0.1	2.0±0.1	0.4±0.05

Part#	A	B	C	D
ASPI-104S-xxx	24.5±0.2	100±0.5	13.2±0.3	330±1.0

Dimension: mm

## REFLOW PROFILE:



**NOTE:** Abracon manufactured products are intended for general commercial and industrial use. For applications requiring high reliability and/or presenting extreme operating environment, written consent & authorization from Abracon is required.

ABRACON IS  
ISO9001:2008  
CERTIFIED



Visit [www.abracon.com](http://www.abracon.com) for Terms & Conditions of Sale **Revised: 04.15.10**  
30332 Esperanza, Rancho Santa Margarita, California 92688  
tel 949-546-8000 | fax 949-546-8001 | [www.abracon.com](http://www.abracon.com)