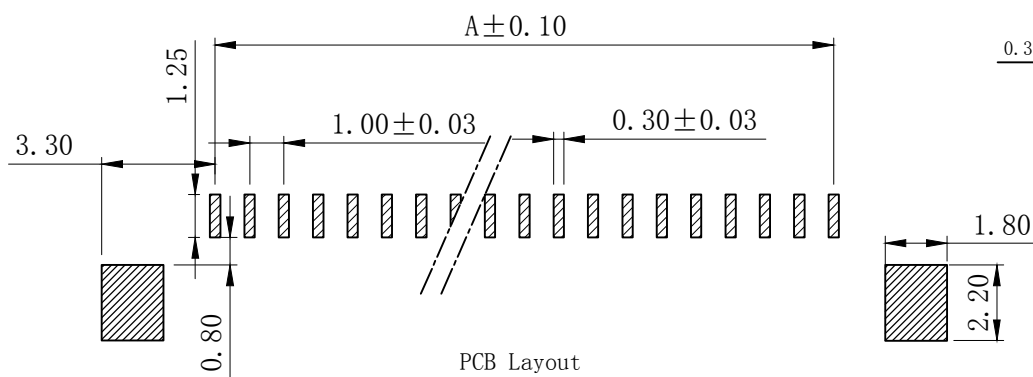
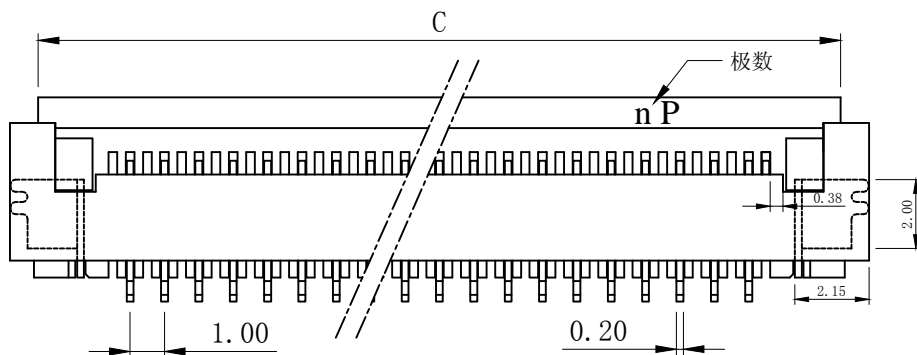
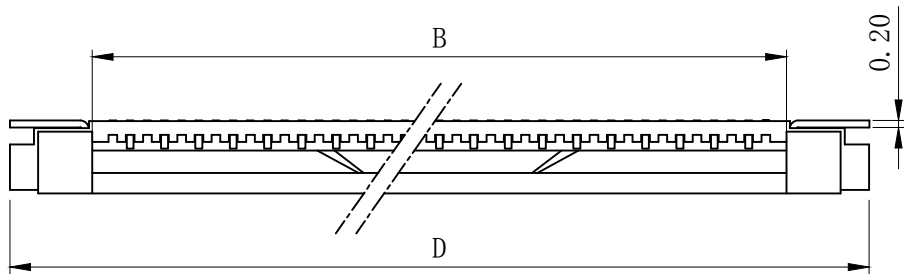
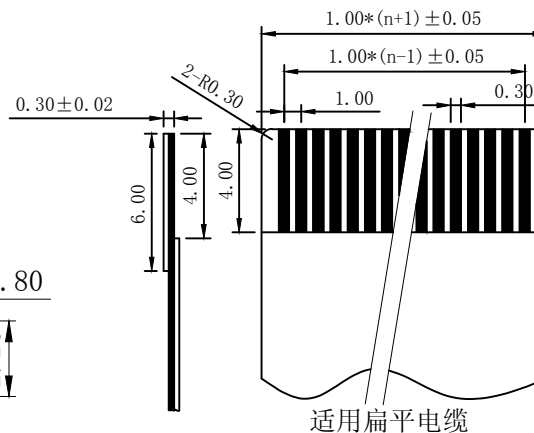
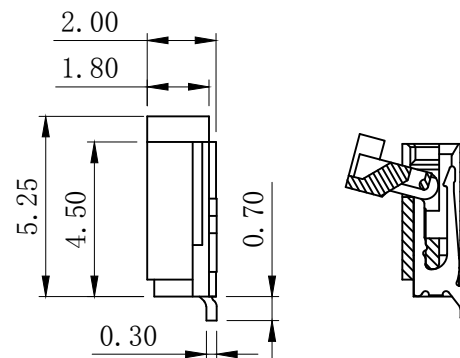


PITCH 1.00mm FPC CONNECTOR SMT TYPE



性能:
 额定电流: 0.4A
 额定电压: 50V
 耐电压: 200V
 接触电阻: $\leq 20m\Omega$
 绝缘电阻: 500M Ω
 工作温度: -20 $^{\circ}C$ ~ +85 $^{\circ}C$
 塑件 (材质): LCP, UL94V-0
 锁扣 (材质): 锁扣材质为LCP
 插簧 (材质): 磷青铜, 镀锡/镀金
 焊片 (材质): 黄铜, 镀锡/镀金

注:
 "▲"处尺寸为
 4Pin~29Pin: 1.50mm;
 30Pin~39Pin: 1.60mm;
 40Pin~60Pin: 1.70mm;
 "■"处尺寸为
 4Pin~29Pin: 4.70mm;
 30Pin~39Pin: 4.80mm;
 40Pin~60Pin: 4.90mm;



孔位	A	B	C	D
4	3.00	5.20	8.50	9.90
5	4.00	6.20	9.50	10.90
6	5.00	7.20	10.50	11.90
7	6.00	8.20	11.50	12.90
8	7.00	9.20	12.50	13.90
9	8.00	10.20	13.50	14.90
10	9.00	11.20	14.50	15.90
11	10.00	12.20	15.50	16.90
12	11.00	13.20	16.50	17.90
13	12.00	14.20	17.50	18.90
14	13.00	15.20	18.50	19.90
15	14.00	16.20	19.50	20.90
16	15.00	17.20	20.50	21.90
17	16.00	18.20	21.50	22.90
18	17.00	19.20	22.50	23.90
19	18.00	20.20	23.50	24.90
20	19.00	21.20	24.50	25.90
21	20.00	22.20	25.50	26.90
22	21.00	23.20	26.50	27.90
23	22.00	24.20	27.50	28.90
24	23.00	25.20	28.50	29.90
25	24.00	26.20	29.50	30.90
26	25.00	27.20	30.50	31.90
27	26.00	28.20	31.50	32.90
28	27.00	29.20	32.50	33.90
29	28.00	30.20	33.50	34.90
30	29.00	31.20	34.50	35.90
31	30.00	32.20	35.50	36.90
32	31.00	33.20	36.50	37.90
33	32.00	34.20	37.50	38.90
34	33.00	35.20	38.50	39.90
35	34.00	36.20	39.50	40.90

X. ± 0.3 .X ± 0.25 .XX ± 0.20 .XXX ± 0.10	X. $^{\circ}$ $\pm 5^{\circ}$.X. $^{\circ}$ $\pm 2^{\circ}$.XX. $^{\circ}$ $\pm 1^{\circ}$.XXX. $^{\circ}$ $\pm 0.5^{\circ}$	UNITS mm	NAME (INTENDED USE) 1.0mm FPC (D型) 下接板盖式	深圳市钜硕电子有限公司			
		MAT'L	PART NO. (INTENDED USE) 1.0K-DX-nPWB				TITLE: AFA01-S**F**-00
		FINISH	APPD:	DWG NO.:	100K11-DXB0000000		
		Q'TY	CHKD:	DR:	YLZ 2011.09.28	SCALE 1/1	SHEET 1/1

RoHS