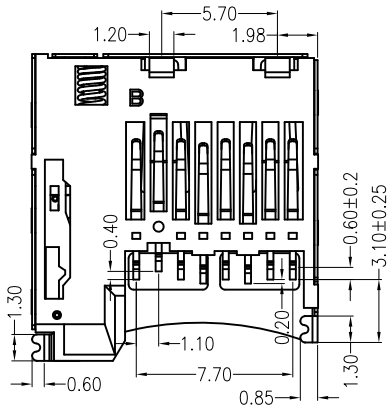
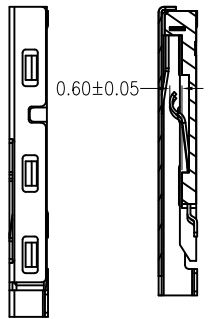
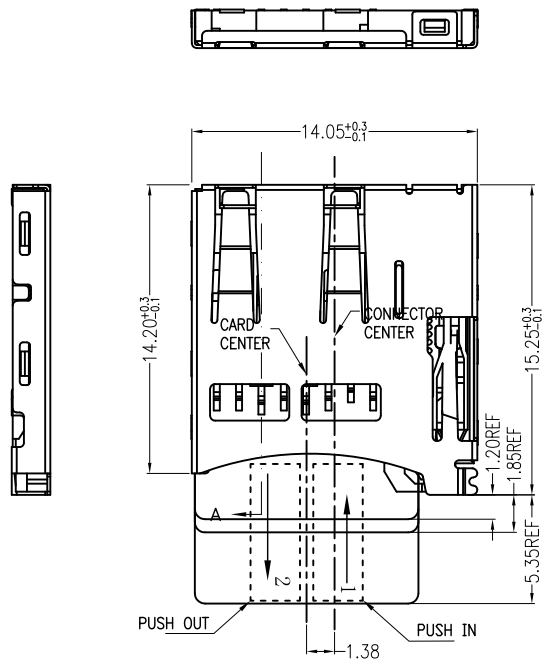
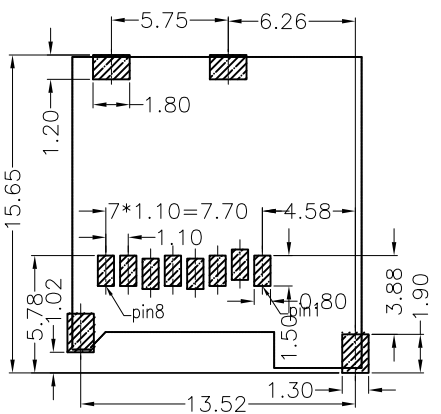
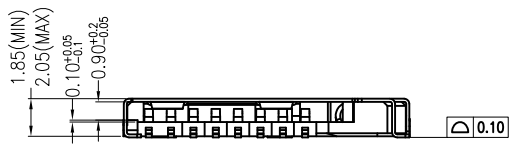
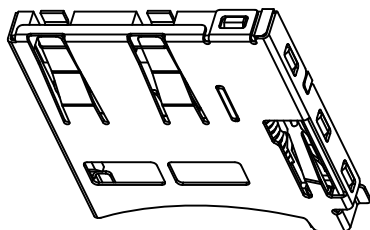


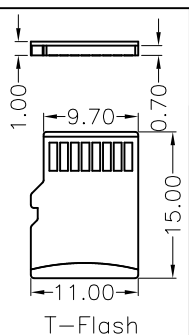
REV.	DESCRIPTION	APPD	DATE



- NOTES:
- MATERIAL:
    - HOUSING: HIGH TEMPERATURE THERMOPLASTIC UL94V\_0,COLOR:BLACK.
    - CONTACT: COPPER ALLOYS.
    - COVER: COPPER ALLOYS OR STEEL.
  - PLATING:
    - UNDERPLATE: NICKEL.
    - CONTACT AREA: GOLD OVER NICKEL.
    - SOLDER AREA: TIN OVER NICKEL.
  - MULTIMEDIA CARD COMPATIBLE



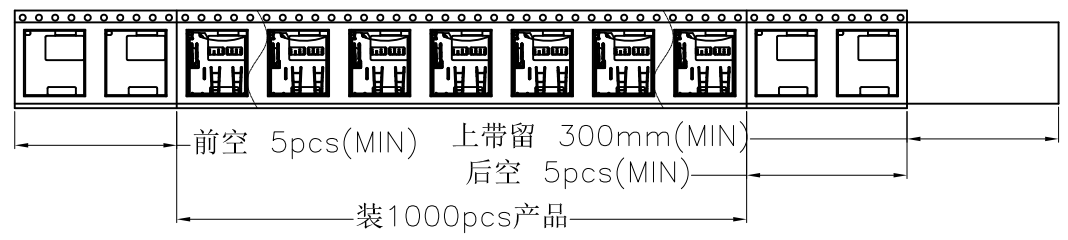
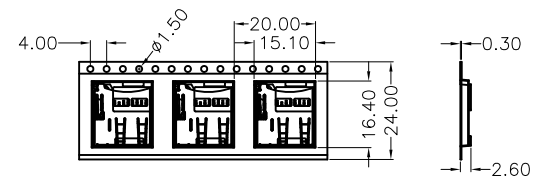
RECOMMENDED P.C.B HOLE LAYOUT COMPONENT SIDE VIEW(TOLERANCE: +/-0.05)



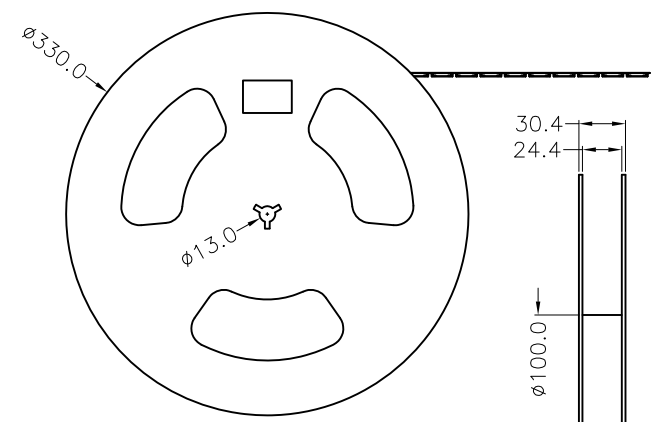
PIN NO.	NAME	YTYPE	DESCRIPTION
1	DAT2	I/O/PP	DATE LINE(BIT2)
2	CD/DAT3	I/O/PP	CARD DETECT DATE LIN(BIT3)
3	CMD	PP	COMMAND RESPONSE
4	VDD	S	SUPPLY VOLTAGE
5	CLX	I	CLOCK
6	VSS	S	SUPPLY VOLTAGE GROUND
7	DAT0	I/O/PP	DATE LINE(BIT0)
8	DAT1	I/O/PP	DATE LINE(DIT1)

PART NO:		MATERIAL:		東莞市訊普電子科技有限公司	
MODEL NO:		FINISH:			
UNIT: MM	SIZE: A4	COLOR:		TITLE: T-FLASH內焊 PUSH B Type	
TOLERANCES: X.X=±0.35 X.XX=±0.25 X.XXX=±0.15		GENERAL ANGLE: X.X=±3.0° X.XX=±2.0°		DR: 楊凱 0416'10	DWG NO: TF-101B
APP:		CHK:		SCALE: 1:1	REV: B/1
				SHEET: 1 OF 2	

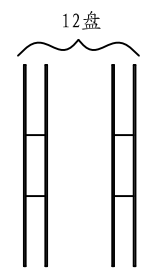
REV.	DESCRIPTION	APPD	DATE



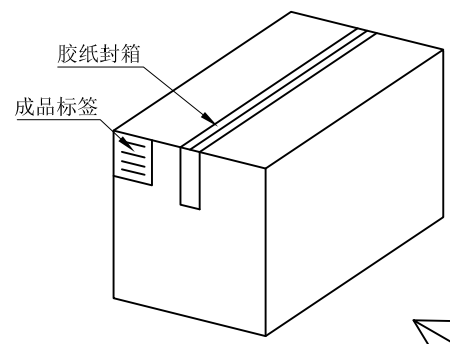
NO. 1



NO. 2

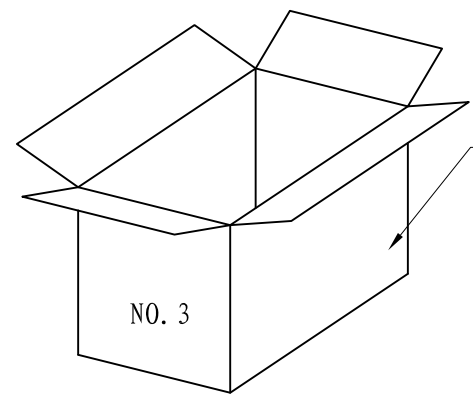


12盘



纸箱规格: 330\*330\*385

NO. 4



纸箱

NO. 3

1. 材质要求:
- 1.1 纸箱的材质为B=B; 外形尺寸为33\*33\*38.5CM;
  - 1.2 卷盘的材质为PVC, 卷盘的外形尺寸为 $\phi$ 330\*30.4;
  - 1.3 卷带的材质为PVC, 卷带的外形尺寸为20200\*24.00\*2.6mm
2. 包装要求:
- 2.1 将卷带放入包装机后, 前空5PCS, 后放产品1000PCS, 再后空5PCS; 上带留300MM长度。
  - 2.2 将包装好的产品从包装机上取下并包装好;
  - 2.3 把累叠好的12盘叠放入纸箱中共计12Kset;
  - 2.4 把包装好的成品打包封箱, 并在纸箱外贴上标签

PART NO:		MATERIAL:		东莞市讯普电子科技有限公司	
MODEL NO:		FINSH:			
UNIT: MM	SIZE: A4	COLOR:		TITLE:	
TOLERANCES: X.X=±0.35 X.XX=±0.25 X.XXX=±0.15		GENERAL ANGLE: X.X=±3.0° X.XX=±2.0°		T-FLASH内焊 PUSH B Type	
		DR: 杨凯 0416'10		DWG NO: TF-101B	
		CHK:		SCALE: 1:1	
		APP:		SHEET: 2 OF 2	
				REV: B/1	