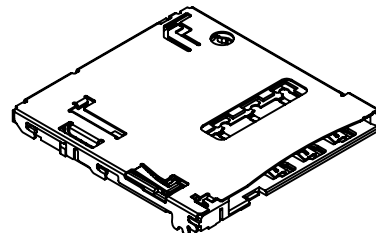
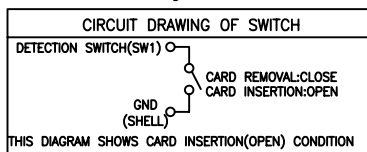


NO.	Description	Material	Finish
A	BASE INSULATOR	LCP	Black Color
B	COVER	Stainless	Not hold down : Nickel Hold down : Au flash over Nickel
C	CONTACT TERMINAL	Corson Alloy	Nickel Barrier Contact: Au over Nickel Lead : Au flash over Nickel
D	CAM Plate	Corson Alloy	Nickel
E	CAM SLIDER	LCP	Black Color
F	CAM STICK	Stainless	-
G	SPRING	Stainless	-
H	Stopper	Stainless	-

(NOTE)

- LEAD Co-planarity :Max 0.08mm
- No rust, contamination, damage nor deformation effecting on function
- Switch moving area
- Non-cumulative tolerance
- Circuit Drawing of switch



UNLESS OTHERWISE SPECIFIED TOLERANCE

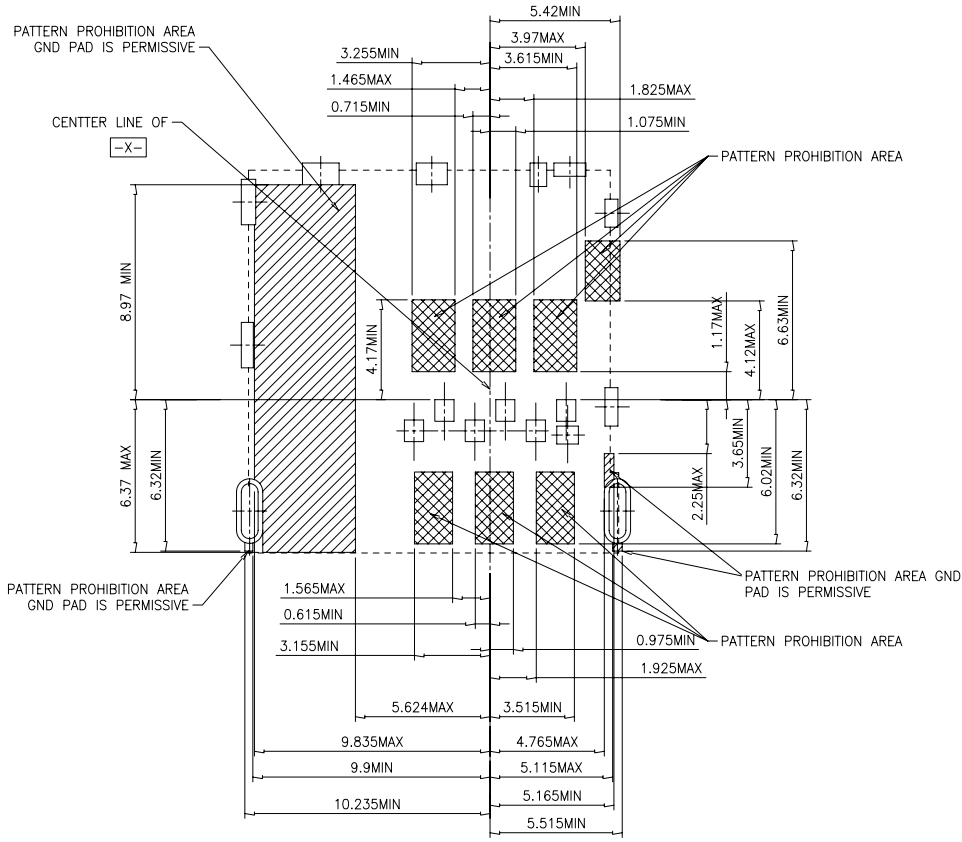
UNIT:	DECIMAL	LINEAR	ANGLES
mm	X.	±0.50	±5°
	X.X	±0.25	±3°
	X.XX	±0.12	±1°

东莞市讯普电子科技有限公司

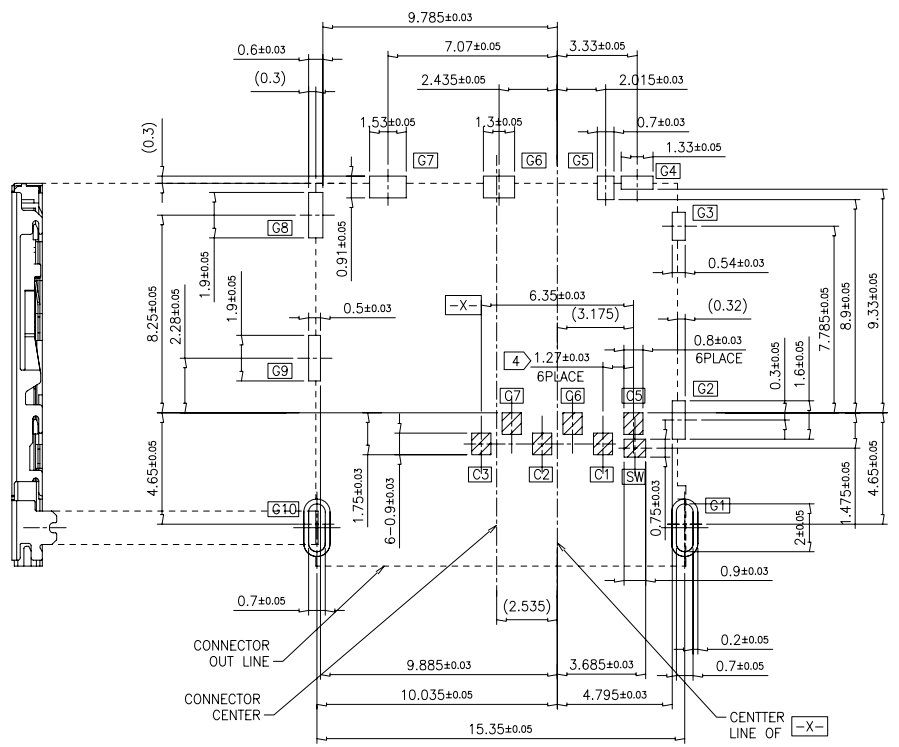
www.xunpudianzi.com

DRAWN	Fros	2014/12/12	DRAWN NAME:				
CHECKED	Ron	2014/12/12					
APPROVED	Albert	2014/12/12					
SCALE	3.2	SHEET	1/3	SIZE	A4	PRODUCT NO.	SMC-214

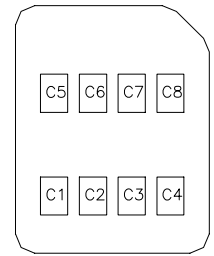
MICRO SIM CONNECTOR



Recommended PCB Layout  
(General tolerance:±0.05)

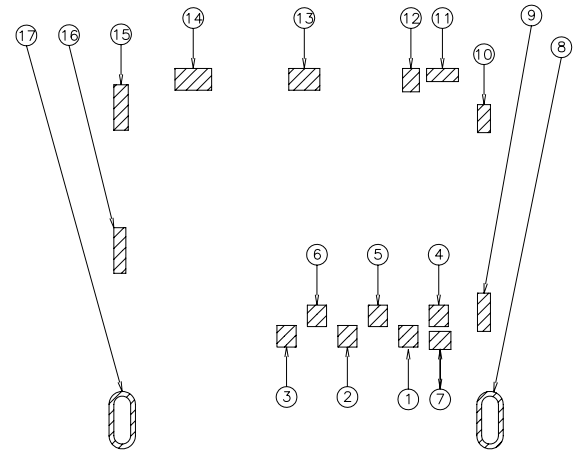


[[ SIM CARD PAD LAYOUT ]]



[[ SIM Card Pin Assignments ]]

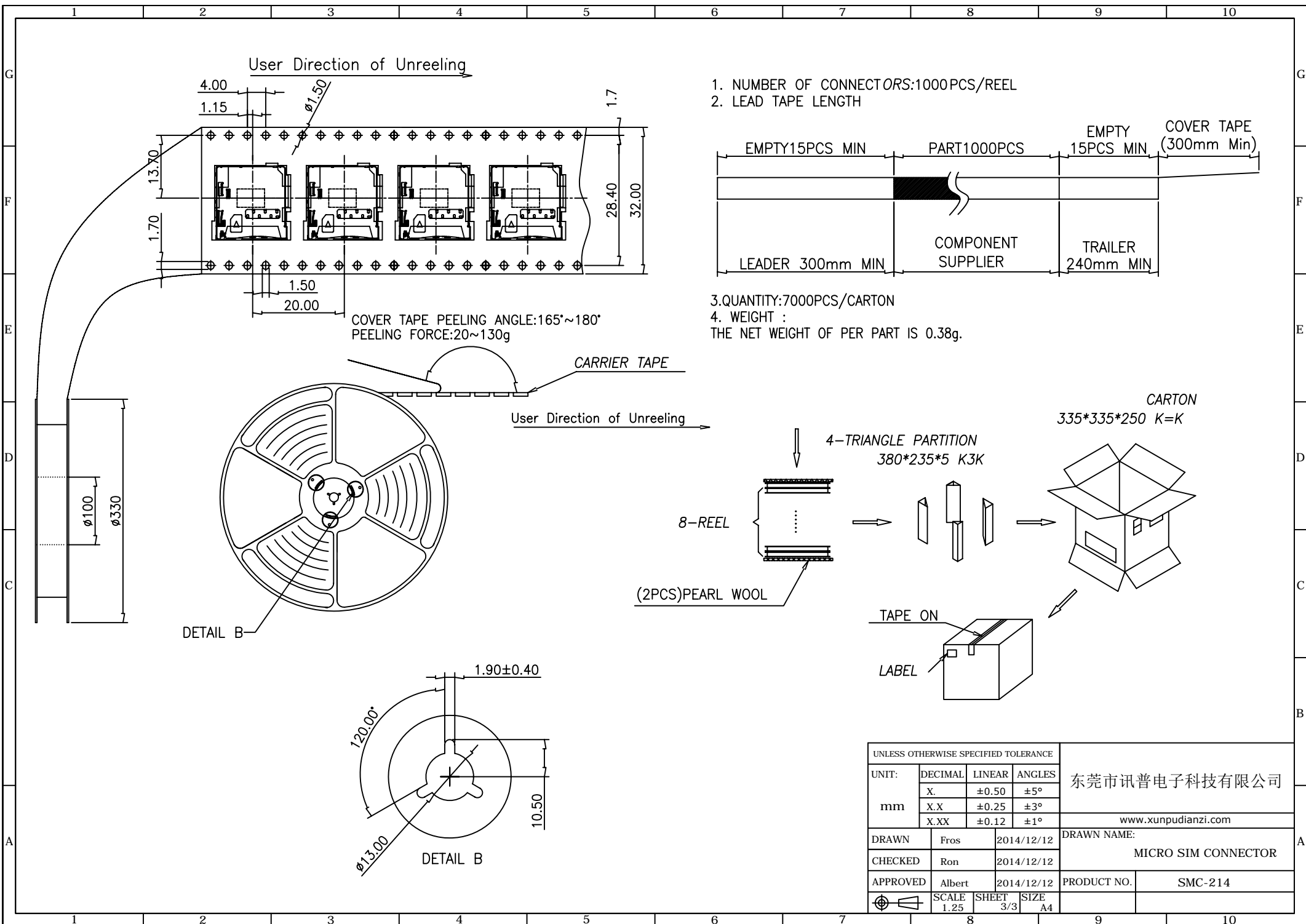
PIN	Name
C1	Vcc
C2	RST
C3	CLK
C4	Reserved
C5	GND
C6	Vpp
C7	I/O
C8	Reserved



[[ Connector Pin Assignments ]]

No.	Pin name	Description
①	C1	Vcc of SIM
②	C2	RST of SIM
③	C3	CLK of SIM
④	C5	GND of SIM
⑤	C6	Vpp of SIM
⑥	C7	I/O of SIM
⑦	SW	Detection Switch
⑧~⑰	GND	Shell Ground

UNLESS OTHERWISE SPECIFIED TOLERANCE				东莞市讯普电子科技有限公司 www.xunpudianzi.com			
UNIT:	DECIMAL	LINEAR	ANGLES			DRAWN NAME: MICRO SIM CONNECTOR	
	mm	X	±0.50 ±5°				
		X.X	±0.25 ±3°				
		X.XX	±0.12 ±1°				
DRAWN	Fros	2014/12/12	DRAWN NAME: MICRO SIM CONNECTOR				
CHECKED	Ron	2014/12/12					
APPROVED	Albert	2014/12/12	PRODUCT NO.	SMC-214			
SCALE 3.2		SHEET 2/3	SIZE A4				



UNLESS OTHERWISE SPECIFIED TOLERANCE				东莞市讯普电子科技有限公司 www.xunpudianzi.com		
UNIT:	DECIMAL	LINEAR	ANGLES			
mm	X.	±0.50	±5°			
	X.X	±0.25	±3°			
	X.XX	±0.12	±1°			
DRAWN	Fros	2014/12/12	DRAWN NAME:			
CHECKED	Ron	2014/12/12	MICRO SIM CONNECTOR			
APPROVED	Albert	2014/12/12	PRODUCT NO.	SMC-214		
SCALE 1.25		SHEET 3/3	SIZE A4			