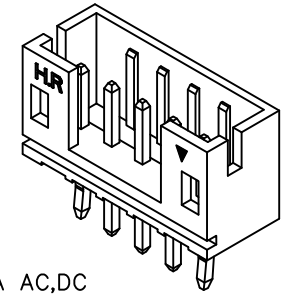
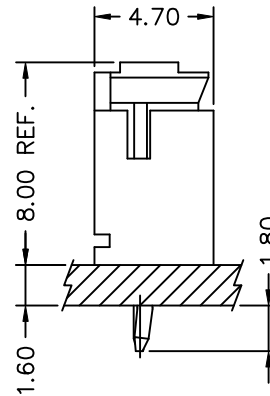
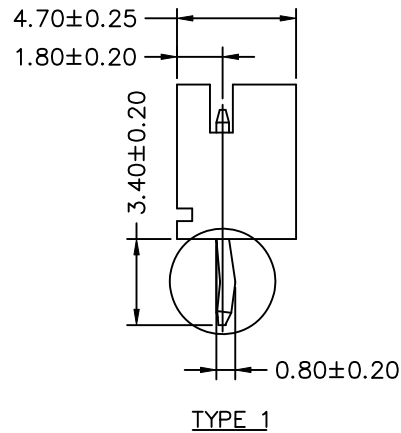
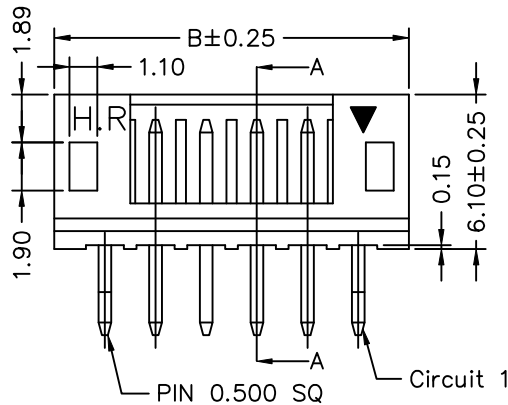


P/N LEGEND

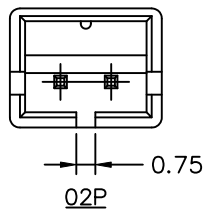
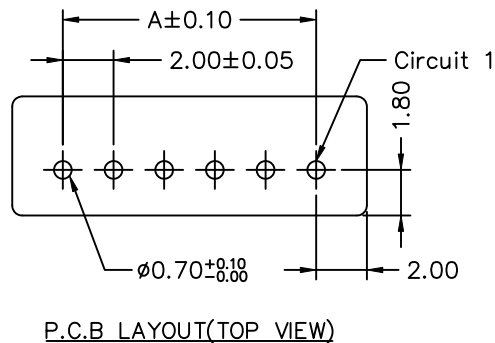
- | A2001  |   |   |   | WV-XP |   | XXX |   |
|--|---|---|---|-------|---|-----|---|
| ①  | ② | ③ | ④ | ①     | ② | ③   | ④ |
| ① Series No.                                       |   |   |   |       |   |     |   |
| ② Connector type: WV=Vertical                      |   |   |   |       |   |     |   |
| ③ No. of circuits                                  |   |   |   |       |   |     |   |
| ④ Option code:                                     |   |   |   |       |   |     |   |
| 1=Nylon 66-V0, Color: White, Tin-plated            |   |   |   |       |   |     |   |
| 1BK=Nylon 66-V0, Color: Black, Tin-plated          |   |   |   |       |   |     |   |
| 1BL=Nylon 66-V0, Color: Blue(660C), Tin-plated     |   |   |   |       |   |     |   |
| 1GR=Nylon 66-V0, Color: Green(347C), Tin-plated    |   |   |   |       |   |     |   |
| 146=Nylon 46-V0, Color: Beige, Tin-plated          |   |   |   |       |   |     |   |
| 011=Nylon 46-V0, Color: Black, Tin-plated          |   |   |   |       |   |     |   |
| 16T=Nylon 6T-V0, Color: Beige, Tin-plated          |   |   |   |       |   |     |   |
| S1=Nylon 66+15%GF-V0, Color: White, Tin-plated     |   |   |   |       |   |     |   |
| 1NF=Nylon 66-V2,NO flame,Color: Natural,Tin-plated |   |   |   |       |   |     |   |



**SPECIFICATIONS**  
 Current Rating: 2A AC,DC  
 Voltage Rating: 100V AC,DC  
 Temperature Range: -25°C ~ +85°C  
 Contact Resistance: 10mΩ Max.  
 Insulation Resistance: 1000MΩ Min.  
 Withstanding Voltage: 800V AC/minute  
 Pin Material: Brass



Circuit No.	Dimensions		
	A	B	C
02P	2.00	6.00	4.80
03P	4.00	8.00	6.80
04P	6.00	10.00	8.80
05P	8.00	12.00	10.80
06P	10.00	14.00	12.80
07P	12.00	16.00	14.80
08P	14.00	18.00	16.80
09P	16.00	20.00	18.80
10P	18.00	22.00	20.80
11P	20.00	24.00	22.80
12P	22.00	26.00	24.80
13P	24.00	28.00	26.80
14P	26.00	30.00	28.80
15P	28.00	32.00	30.80
16P	30.00	34.00	32.80
17P	32.00	36.00	34.80
18P	34.00	38.00	36.80



				燦達電子工業股份有限公司 JOINT TECH ELECTRONIC IND. CO., LTD.			
		UNIT	SCALE	SHEET		TITLE:	
		mm	1 : 1	1 of 1		2.00mm PITCH 180° WAFER, TYPE 1	
		DRAWN BY		APPROVED BY		DRAW NO. :	
		李勤		呂長祈		A2001WV-XP1	
		2006.07.21		2006.07.21		B1	
		GENERAL TOLERANCE					
		X. X±0.25		ANGLE±			
		X. XX±0.15					
		X. XXX±0.05					
REV.	DESCRIPTION	DATE	NAME				
B1	取消紅色短料號	2017.04.14	任運宏				
B0	EN1607250001	2016.06.23	楚新璋				
A5	EN1301220022	2013.01.22	郭木恩				
A4	EN1211080364	2012.11.13	陳錦展				