

# 規格承認書

## PECIFICATION FOR APPROVAL

客戶  
CUSTOMER : \_\_\_\_\_  
項目  
ITEM : 压电无源蜂鸣器 (外部驱动)  
型號  
TYPE : GPC3010YB-5V3500  
描述  
DESCRIPTION :  $\Phi 30 \times H10 \text{ mm}$  3500Hz 5V  $\geq 85\text{dB}$  ABS 材质 P=15mm  
客戶料號  
CUSTOMER NO. : \_\_\_\_\_  
規格書號  
SPECIFICATION NO.: \_\_\_\_\_  
版本  
EDITION NO. : V1.1  
日期  
DATE : 2012-12-07

### 客戶承認

#### CUSTOMER CONFIRM AND SIGN

檢查 TESTED BY	審核 CHECKED BY	承認 APPROVED BY

### 東莞市贏海電子有限公司

#### DONGUAN INGHAI ELECTRONICS CO.,LTD

製作 ISSUED BY	審查 CHECKED BY	確認 APPROVED BY
周明	李林	

地址：廣東省東莞市長安鎮上沙管理區北橫路 8 號

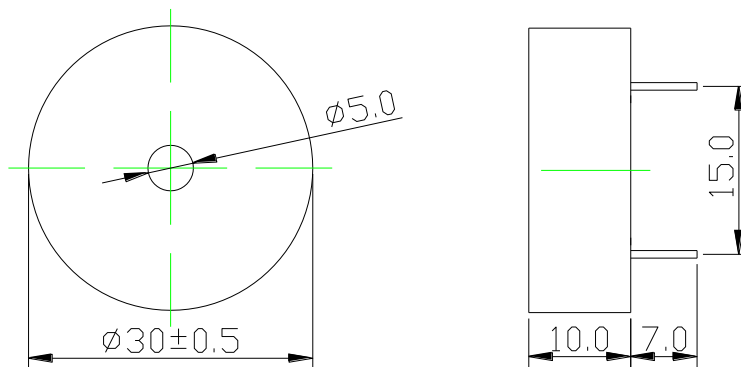
電話 / TEL: 0769-83060958 傳真 / FAX: 0769-81608993

網址: HTTP://WWW.INGHAI.COM

## DONGGUAN INGHAI ELECTRONICS CO.,LTD

**Model NO:** GPC3010YB-5V3500

**A: DIMENSIONS** Unit:mm Tolerance:  $\pm 0.5$



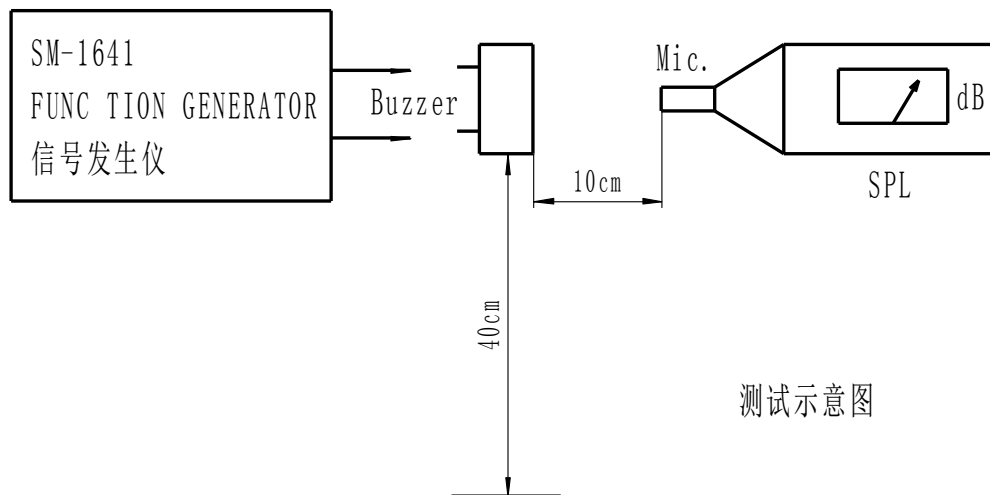
## B: SPECIFICATIONS

Model NO	GPC3010YB-5V3500
Rated Voltage	5Vp-p
Operating Voltage	3~28Vp-p
Max.Rated Current	Max.5mA
sound Pressure level(dB/min)at 10cm	Min. 85dB
Resonant Frequency	3500 $\pm$ 500Hz
Capacitance	28000 $\pm$ 30%
Operating Temperature	-20 °C~+60 °C
Storage Temperature	-30 °C~+70 °C
Case material and color	ABS / Black

## Measuring condition

Part shall be measured under a condition (Temperature: 5~35°C, Humidity: 45%~85%R.H., Atmospheric pressure: 860 ~1060hPa) unless the standard condition (Temperature: 25±3°C, Humidity: 60±10%R.H. Atmospheric pressure: 860 ~1060hPa) is regulated to measure.

## C: Electrical And Acoustical Measuring Condition



## D: Reliability Test

After any following tests the part shall meet specifications without any degradation in appearance and performance except SPL. SPL shall not deviate more than -10 dB from the initial value

### 1. Ordinary Temperature Life Test

The part shall be subjected to 96 hours at 25±10°C. Input rated voltage Resonant frequency, 1/2 duty Square wave.

### 2. High Temperature Test

The part shall be capable of with standing a storage temperature of +70°C for 96 hours.

### 3. Low Temperature Test

The part shall be capable of with standing a storage temperature of -30°C for 96 hours.

### 4. Humidity Test

Temperature:+40°C ±3°C Relative Humidity:90%~95% Duration: 48 hours and expose to room temperature for 6 hours

### 5. Temperature Shock Test

Temperature:60°C /1hour→ 25°C/3hours→-30°C/1hour→ 25°C/3hours (1cycle)  
Total cycle: 10 cycles

### 6. Drop Test

Standard Packaging From 120mm(Drop on hard wood or board of 5cm thick, three sides, six plain.)

### 7. Vibration Test

Vibration:1000cycles /min. Amplitude:1.5mm, Duration: 1 hour in each 3 axes

**Note:**

As this product is not protected from foreign material entering, please make sure that any foreign materials (e.g. magnetic powder, washing solvent, flux, corrosive gas) do not enter this product in your production processes. The functional degradation (e.g. SPL down) may occur if foreign material enter it.