

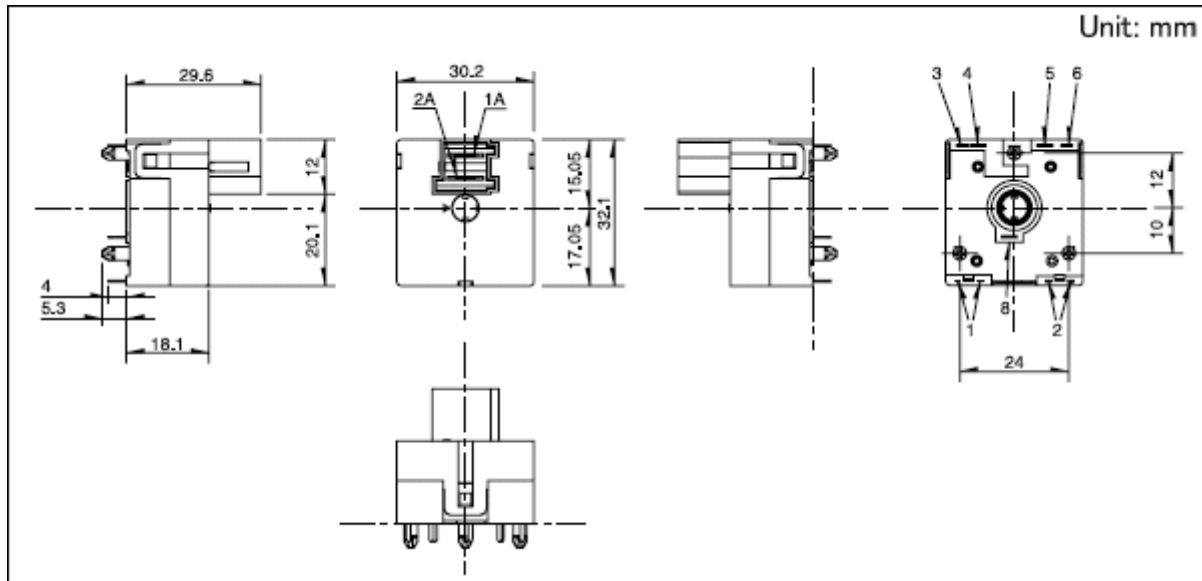


Rotary Type with Encoder SDKZ Series

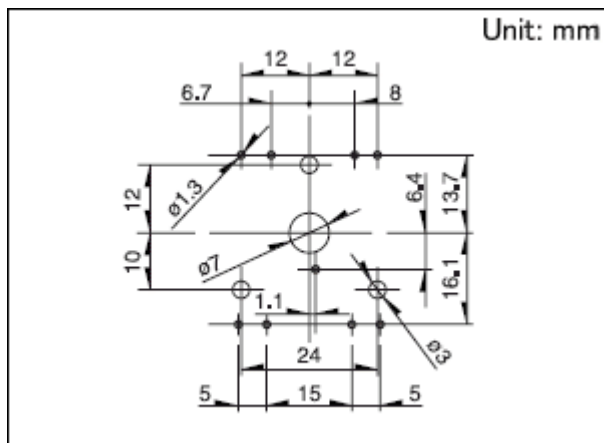
Type	Rotary		
Circuit arrangement	DPST		
Torque	From "OFF" position to "ON" position		12±3N
	Other positions		6±3N
Operating direction	Vertical		
Positions	16		
Mounting method	PC board		
Terminal type	Straight		
Operating temperature range	-10°C to +70°C		
Max rating	Power		16(6)A 250V AC, 14(6)A 250V AC
	Encoder		0.1A 12V DC
Electrical performance	Contact resistance	Power	100mΩ max.
		Encoder(Initial/After life test)	1Ω max./1Ω max.
	Insulation resistance	Power	500MΩ min. 500V DC
		Encoder	100MΩ min. 100V DC
	Voltage proof	Power	2,000V AC for 1 minute.
		Encoder	100V AC for 1 minute.
Mechanical performance	Terminal strength	Power	20N
		Encoder	5N
	Actuator strength	Perpendicular direction	30N
Durability	Operating life	Power	10,000 cycles 16A 250V AC
		Encoder	30,000 cycles 0.1A 12V DC

Environmental performance	Cold	-40°C 240h
	Dry heat	85°C 240h
	Damp heat	40°C, 90 to 95%RH 240h
Minimum order unit (pcs.)	Japan	288
	Export	288

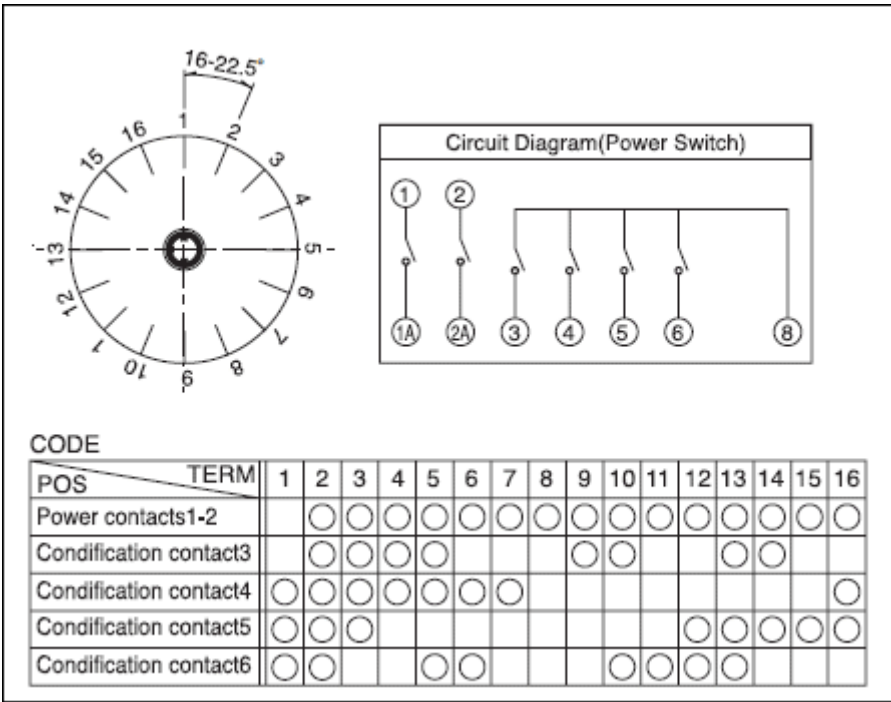
Dimensions



Mounting Hole Dimensions



Standard Code



Packing Specifications

Tray

Number of packages 1 case / Japan 288
(pcs.)

1 case / export packing 288

Export package measurements (mm) 411×311×217

Soldering Conditions

Reference for Dip Soldering

Dip soldering Soldering temperature 260±5°C

Duration of immersion 10±1s

Reference for Hand Soldering

Soldering temperature 350±10°C

Soldering time 3+1/0s

Notes are common to this series/models.

1. This site catalog shows only outline specifications. When using the products, please obtain formal specifications for supply.
2. Please place purchase orders per minimum order unit (integer).