



## 6-positions Vertical Type SRRN Series

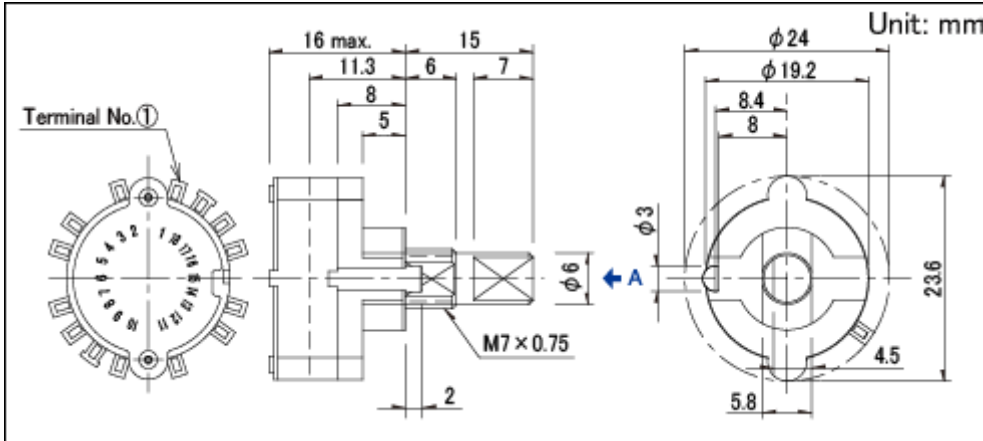
Number of wafer		1	
Poles		2	
Positions		5	
Changeover angle		30±3°	
Changeover timing		Non shorting	
Rotational torque		70±30mN·m	
Actuator configuration		Flat	
Actuator length		L: 15mm	
Operating temperature range		-30°C to +65°C	
Rating (max.)/(min.) (Resistive load)		0.15A 12V DC/50μA 3V DC	
Electrical performance	Contact resistance (Initial performance/After lifetime)	50mΩ max./100mΩ max.	
	Insulation resistance	100MΩ min. 500V DC	
	Voltage proof	500V AC for 1 minute	
Mechanical performance	Terminal strength	5N for 1 minute	
	Actuator strength	Rotational direction	1N·m
		Push direction	100N
	Wobble of actuator (load at the tip of shaft: 5N)	Measuring position from mounting surface	10mm
		Shaft wobble (max. value)	0.17mm max.
	Applicable mounting dimension	15mm	
Durability	Operating life without load	10,000 cycles 70mΩ max.	
	Operating life with load (at max. rated)	10,000 cycles 100mΩ max.	

load)

Environmental performance	Cold	-40±2°C for 96h
	Dry heat	85±2°C for 96h
	Damp heat	40±2°C, 90 to 95%RH for 96h

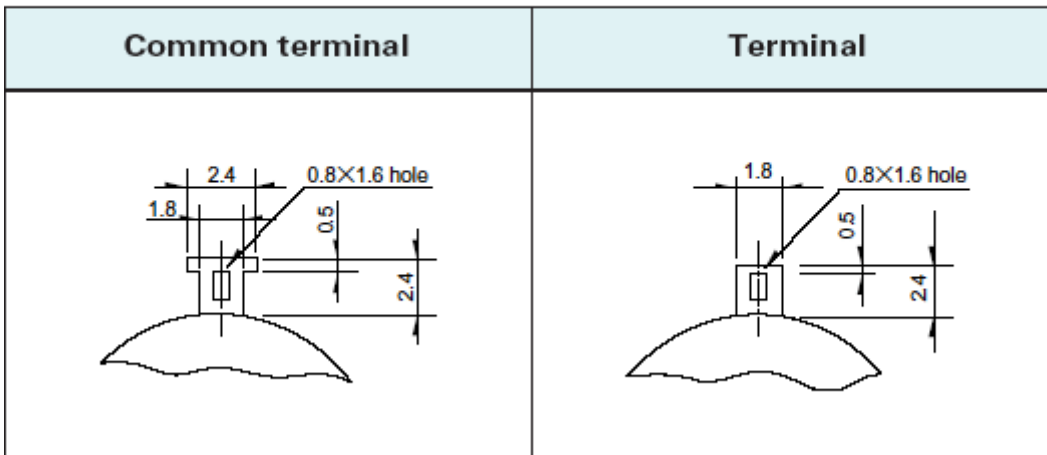
Minimum order unit (pcs.)	Japan	60
	Export	240

Dimensions



Terminal Configuration

Unit : mm



Circuit Diagram

<b>Number of poles</b>	<b>2</b>	
<b>Circuit diagram</b>		
<b>Dummy terminals</b>	<b>5-positions</b>	⑰ ⑧

1. Standard poles per step.
2. The following mark in the above table indicate a stopper with the shaft turned fully counterclockwise when viewed from direction A of the diagrams.

### Packing Specifications

#### Bulk

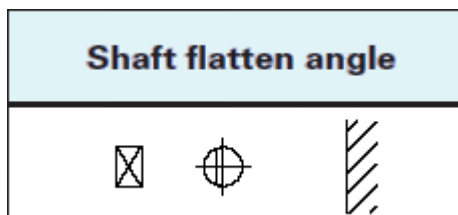
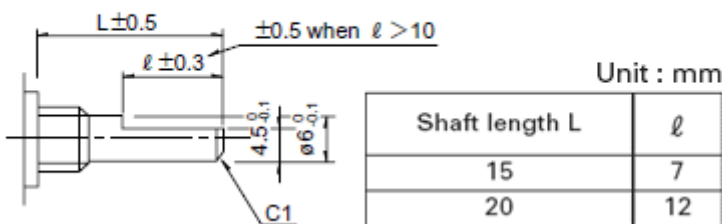
Number of packages (pcs.)	1 case / Japan	60
	1 case / export packing	240
Export package measurements (mm)	400×270×270	

### Shaft Style

#### \* Flat Shaft

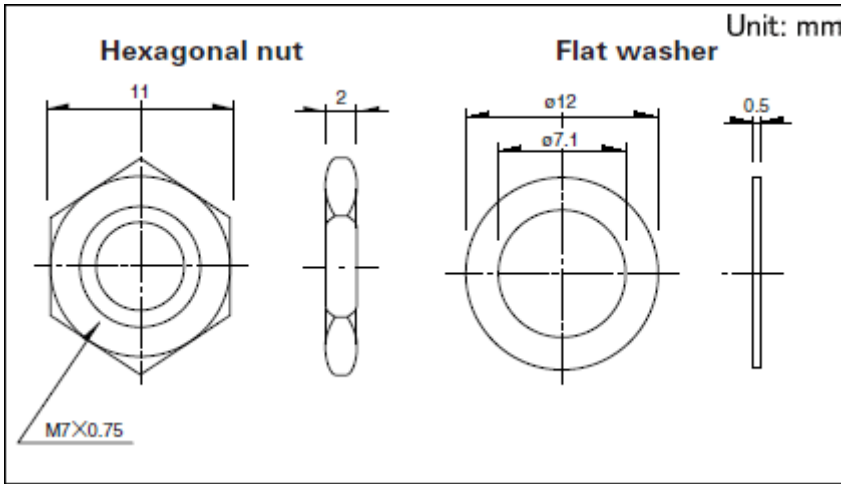
The shaft shows the position in which it is turned fully counterclockwise.

#### Cutting Shaft



- **Notes** SRBM Series are based on (printed terminal direction).  
SRRM, SRRN, SRBV Series are based on (panel lug).

### Attached Parts



The following parts are included with the product.

### Soldering Conditions

#### Reference for Dip Soldering

Items	Preheating temperature	-
	Preheating time	-
Dip soldering	Soldering temperature	260±5°C
	Duration of immersion	10±1s

#### Reference for Hand Soldering

Soldering temperature	350±10°C
Soldering time	3+1/0s

Notes are common to this series/models.

1. This site catalog shows only outline specifications. When using the products, please obtain formal specifications for supply.
2. All the axis are cutting shafts.
3. Please place purchase orders per minimum order unit (integer).
4. Products other than those listed in the above chart are also available. Please contact us for details.