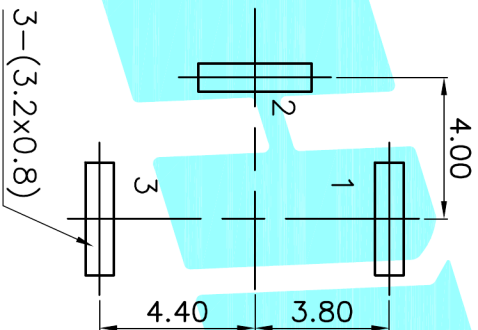


P.C.B LAYOUT(copper-sided view)



Model No.	DC-025BM-A	DC-025BM-B
Schematic		

Model No.	1	2	3
PIN	ø2.0	ø2.35	ø2.5

Rating:0.5A 30V DC  
 Contact Resistance:100 mΩ Max.  
 Operating temperature:-20℃~70℃  
 Operating force:3-20N  
 Operating Life:5,000cycles

ECN NO.	REV.	DATE.	DESCRIPTION.	CHANGE.	CHECK.	APPRO.
	A		NEW			

DRAWN	J.X.Zhang	DATE	2013/11/11	TITLE:	PHONE JACKES
CHECKED				PART NO.	DC-025BM
APPROVALS				SCALE:	1:1
TOLERANCES ARE			30~øL±	±0.30	ANGLE
	10~ø30	±0.20	5~ø10	±0.15	UNIT: mm
	~5	±0.10		±2'	DRAWING NO.

②	Terminal	3	Phosphor bronze	Au Plating		
①	Housing	1	Nylon	Black		
ITEM	PART NAME	TER.NO.	QTY.	MATERIAL	FINISHING	REMARK
APPROVALS		DATE				

ELECTRONICS CO.,LTD	
PROJ.	
SHEET 1 OF 1	