

8 7 6 5 4 3 2 1

F

E

D

C

B

SD35053.DGN

DWG. NO.  
SD-35053-9002

SIMILAR ITEM

PROJECT NO.

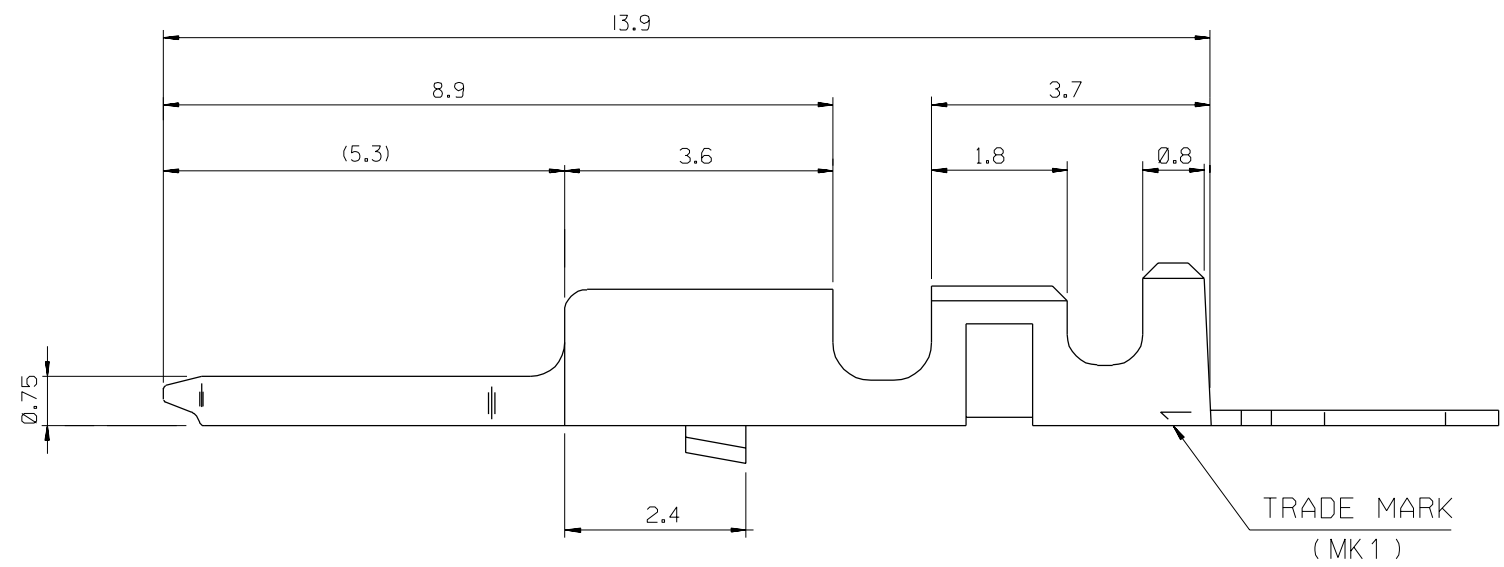
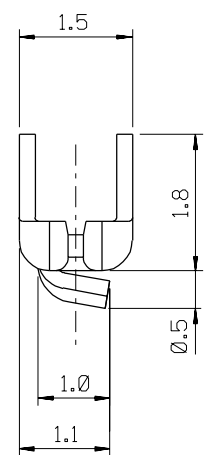
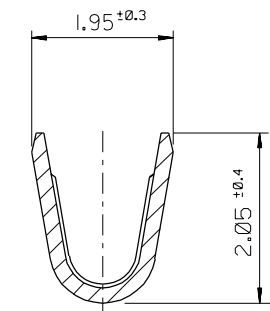
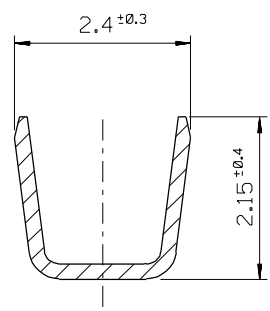
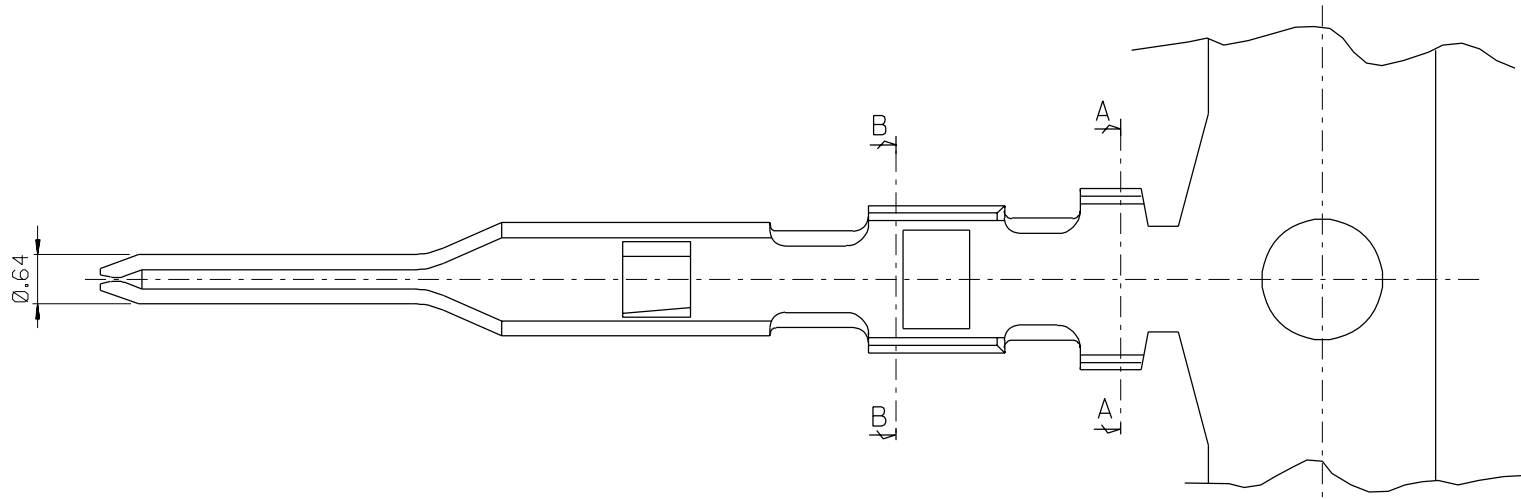
C

B

DO NOT SCALE DRAWING  
DIMENSION IN METRIC

8 7 6 5 4 3 2 1

MX-A3



NOTES

- MATED WITH FEMALE TERMINAL: 5103\*
- USED WITH HOUSING : 35184-\*\*00
- USED WIRE : AWG #22-#28  
(STRIP LENGTH: 2.3-2.9mm)
- BRASS(TIN PLATED)

REVISED EC NO. KOR1999-0121 DRWN: K.S.KIM(991027) CH'K: J.K.OH APPR: C.W.LEE	QUALITY SYMBOLS MAJOR $\blacktriangle$ = CRITICAL $\triangle$ =	GENERAL TOLERANCES: (UNLESS SPECIFIED)		SCALE 10/1	DESIGN UNITS <input checked="" type="checkbox"/> mm <input type="checkbox"/> INCH	THIRD ANGLE PROJECTION	DIMENSIONS: <input type="checkbox"/> mm <input type="checkbox"/> INCH <input checked="" type="checkbox"/> mm ONLY	SHT REV
		mm      INCH	DRAWN BY & DATE D.J.KIM 94/2/28	TITLE: 2.5 PITCH W/W CONN. TERMINAL			REVISIONS REVISE ON CAD ONLY	
D	DESCRIPTION REV	4 PLACES $\pm 0.$ $\pm.$	3 PLACES $\pm 0.$ $\pm.$	CHECKED BY & DATE J.K.OH	MOLEX INCORPORATED KOREA			
		2 PLACES $\pm 0.$ $\pm.$	1 PLACE $\pm 0.3$ $\pm.$	APPROVED BY & DATE C.W.LEE	CAD FILENAME SD35053.DGN	MATERIAL NO. 350539002	DRAWING NO. SD-35053-9002	SHEET NO. 1 OF 1
		ANGULAR: $\pm 2^\circ$		THIS DRAWING CONTAINS INFORMATION THAT IS PROPRIETARY TO MOLEX INCORPORATED AND SHOULD NOT BE USED WITHOUT WRITTEN PERMISSION.				