

注記
NOTE

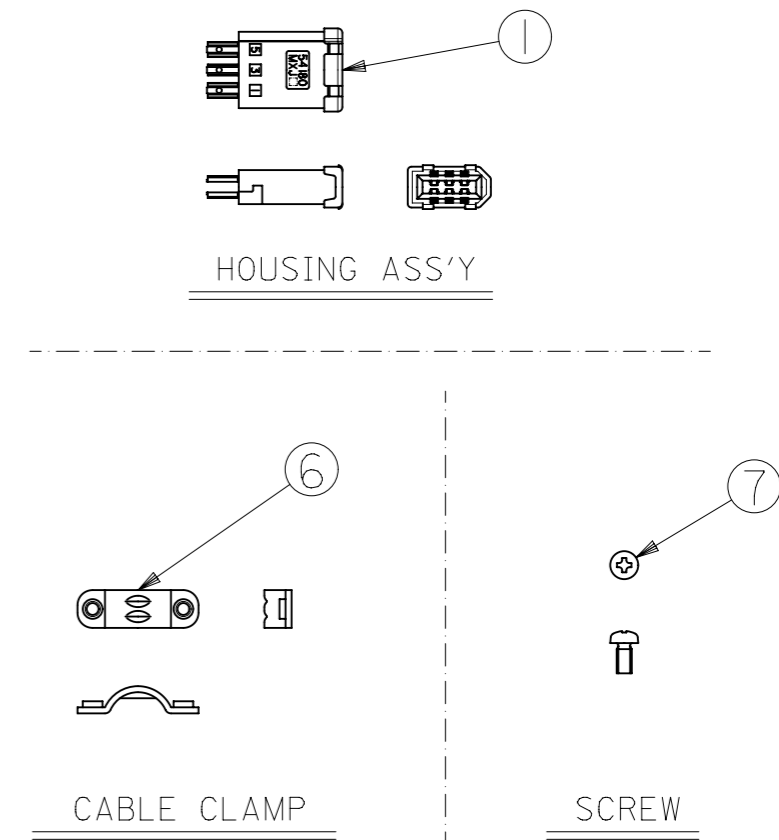
- 本製品は55100-0600, 54280-0600の鉛フリー品である。
THIS PRODUCT IS LEAD FREE OF 55100-0600 AND 54280-0600.

THIS DRAWING CONTAINS INFORMATION THAT IS PROPRIETARY TO MOLEX ELECTRONIC TECHNOLOGIES, LLC AND SHOULD NOT BE USED WITHOUT WRITTEN PERMISSION

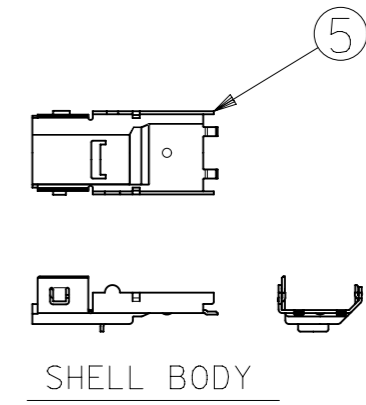
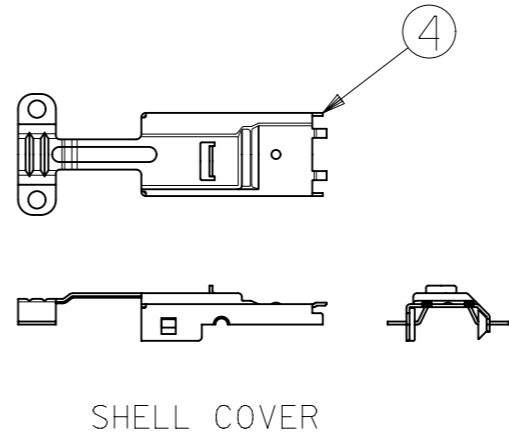
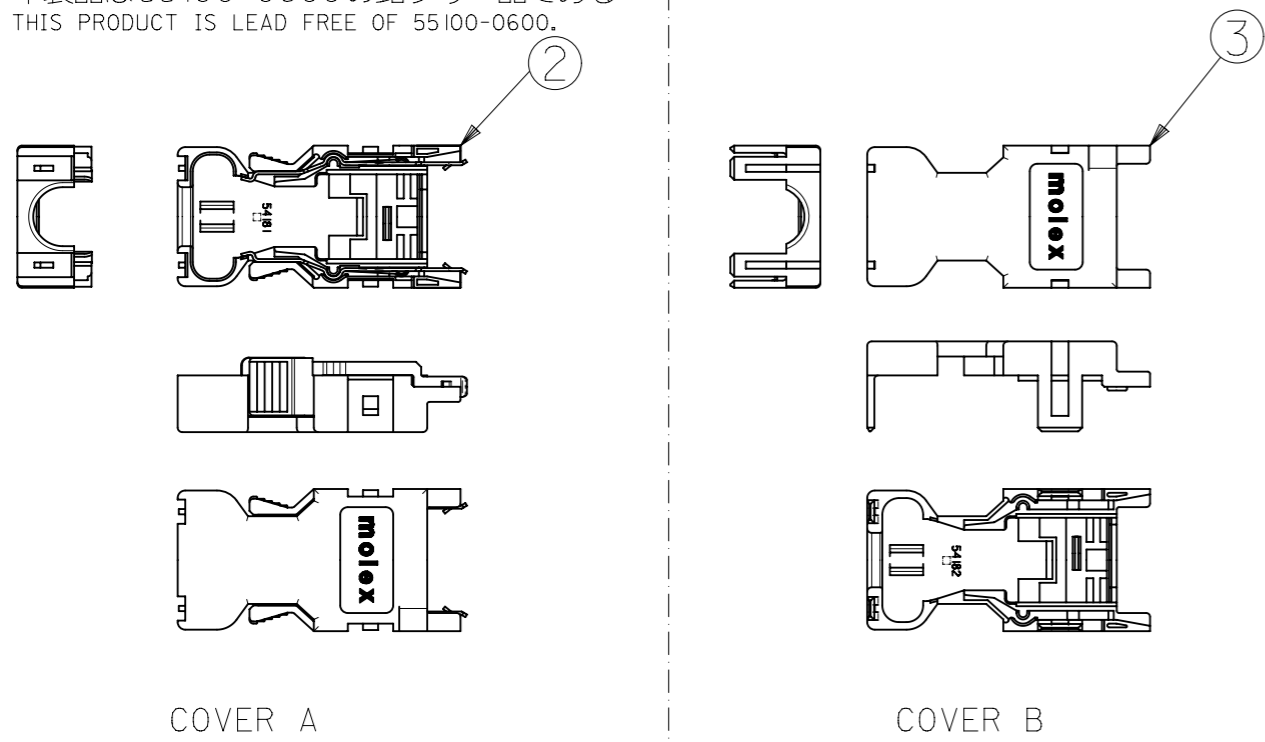
REVISED EC NO: 119030 DRWN: TNAKAGAWA01 CHK'D: KTAKAHASHI APPR: MSASAO	2017/07/06	GENERAL TOLERANCES (UNLESS SPECIFIED)		DIMENSION UNITS	SCALE	<p>2.0 I/O CONN. CROSS-SECT. VIEW OF MATED CONNECTORS -LEAD FREE-</p> <p>PRODUCT CUSTOMER DRAWING</p>
	2017/07/11	ANGULAR TOL ± °		MM	4:1	
	2017/07/11	4 PLACES ±	0	DRWN BY	DATE	
		3 PLACES ±		MNABEI	2008/04/09	
		2 PLACES ±		CHK'D BY	DATE	
	1 PLACE ±		MISOGAYA	2008/04/10		
	0 PLACES ±		APPR BY	DATE		
			NUKITA	2008/04/11		
			DRAFT WHERE APPLICABLE MUST REMAIN WITHIN DIMENSIONS	DRAWING SIZE	THIRD ANGLE PROJECTION	SERIES
				A3		54280
						MATERIAL NUMBER
						SEE IN FIGURE
						CUSTOMER
						GENERAL MARKET
						DOCUMENT NUMBER
						SD-54280-011
						DOC TYPE
						PSD
						DOC PART
						001
						SHEET NUMBER
						1 OF 1

部品構成
PARTS CONSTRUCTION

部番 NO.	部品名 PART NAME	製品番号 ENG. NO.	個数 QUAN.	材質 MATERIAL
①	ハウジングアッセンブリ HOUSING ASS'Y	54180-0619	1	ハウジング: ガラス入り耐熱樹脂 UL94V-0 色:黒 HOUSING: G.F. HEAT RESISTANT PLASTIC UL94V-0 COLOR: BLACK ターミナル: りん青銅 t0.3 TERMINAL: PHOSPHOR BRONZE t0.3 メッキ仕様 接点部: ニッケル下地金メッキ PLATING CONTACT AREA: GOLD OVER NICKEL 結線部: ニッケル下地錫メッキ WIRE TERMINATION AREA: TIN OVER NICKEL
②	カバーA COVER A	54181-0615	1	カバーA: ガラス入りポリカーボネイト樹脂 COVER A: POLYCARBONATE G.F. UL94V-0 色:グレー UL94V-0 COLOR: GRAY スプリングラッチ: ステンレス鋼 t0.4 SPRING LATCH: STAINLESS STEEL t0.4
③	カバーB COVER B	54182-0605	1	ガラス入りポリカーボネイト樹脂 UL94V-0 色:グレー POLYCARBONATE G.F. UL94V-0 COLOR: GRAY
④	シエル カバー SHELL COVER	58299-0626	1	鋼 t0.4 STEEL t0.4
⑤	シエル ボディ SHELL BODY	58300-0626	1	メッキ仕様: ニッケル下地、錫メッキ PLATING: NICKEL BASE, TIN PLATING
⑥	ケーブルクランプ CABLE CLAMP	58303-0000	1	ステンレス鋼 STAINLESS STEEL
⑦	十字穴付きなべ小ネジ CROSS RECESSED PAN HEAD MACHINE SCREW	59832-0009	2	黄銅(ネジサイズ: M2X4) BRASS (SCREW SIZE: M2X4)



NOTES:
本製品は55100-0600の鉛フリー品である
THIS PRODUCT IS LEAD FREE OF 55100-0600.



TRAY & POLY BAG	55100-0680	55100-***0
POLY BAG	55100-0670	
PACKAGE METHOD	MATERIAL No.	MODEL No.

THIS DRAWING CONTAINS INFORMATION THAT IS PROPRIETARY TO MOLEX ELECTRONIC TECHNOLOGIES, LLC AND SHOULD NOT BE USED WITHOUT WRITTEN PERMISSION

REVISED EC NO: 121574 DRWN: ESATO CHK'D: KTAKAHASHI REV APPR: NUKITA	2017/09/06	GENERAL TOLERANCES (UNLESS SPECIFIED)	DIMENSION UNITS	SCALE			
	2017/09/13		mm	NTS			
	2017/09/13		ANGULAR TOL ±	DRWN BY		DATE	
			4 PLACES ±	HKAWABATA		2004/05/21	
			3 PLACES ±	CHK'D BY		DATE	
	2 PLACES ±	KTAKAHASHI	2017/07/11	PRODUCT CUSTOMER DRAWING			
	1 PLACE ±	APPR BY	DATE	SERIES	MATERIAL NUMBER	CUSTOMER	
	0 PLACES ±	MSASAO	2004/05/21	55100	SEE TABLE	GENERAL MARKET	
	DRAFT WHERE APPLICABLE MUST REMAIN WITHIN DIMENSIONS	DRAWING SIZE	THIRD ANGLE PROJECTION	DOCUMENT NUMBER			
		A3		SD-55100-004	DOC TYPE	DOC PART	SHEET NUMBER
					PSD	001	1 OF 1