

1. Device Name TCXO
2. Model Name DSA211SDN
3. Nominal Frequency 26.000 MHz
4. Mass 0.015g max.
5. Absolute Maximum Ratings

	Item	Symbol	Rating	unit
1	Supply Voltage	V _{CC}	-0.3~+4.6	V
2	Storage Temperature Range	T _{STG}	-40~+85	°C

6. Recommended Operating Conditions

	Item	Symbol	min.	typ.	max.	unit
1	Supply Voltage	V _{CC}	+2.66	+2.8	+2.94	V
2	Load Impedance (resistance part) (parallel capacitance)	LOAD_R	9	10	11	kΩ
		LOAD_C	9	10	11	pF
3	Control Voltage Range	V _{CONT}	+0.5	+1.5	+2.5	V
4	Operating Temperature Range	T _{OPR}	-30	-	+80	°C

7. Electrical Characteristics

(T_A=-30~+80°C, LOAD_R//C=10kΩ//10pF, V_{CC}=+2.8V, V_{CONT}=+1.5V, unless otherwise noted)

	Item	Conditions	Limits			unit	Notes
			min.	typ.	max.		
1	Current Consumption		-	-	+2.0	mA	
2	Output Level		0.8	-	-	V _{P-P}	1
3	Symmetry	GND level (DC cut)	40/60	-	60/40	%	
4	Harmonics		-	-	-5	dBc	
5	Frequency Stability						
	1.Tolerance	After 2 times reflow Ref. to nominal frequency	-	-	±1.5	ppm	2,3
	2.vs Temperature	T _A =-30~+80°C Ref. to frequency (T _A =+25°C)	-	-	±2.0	ppm	
	3.vs Supply Voltage	V _{CC} =+2.8V±5%	-	-	±0.2	ppm	
	4.vs Load Variation	LOAD_R//C=(10kΩ//10pF)±10%	-	-	±0.2	ppm	
	5.vs Aging	T _A =Room ambient	-	-	±1.0	ppm/year	
6	Start Up Time	@90% of final V _{out} level	-	-	2.0	ms	
7	Frequency Control						
	1.Control Range	V _{CONT} =+1.5V±1.0V	±9	-	±15	ppm	4
	2.Input Resistance		500	-	-	kΩ	
8	SSB Phase Noise	Relative to f ₀ level offset 1kHz	-	-	-130	dBc/Hz	

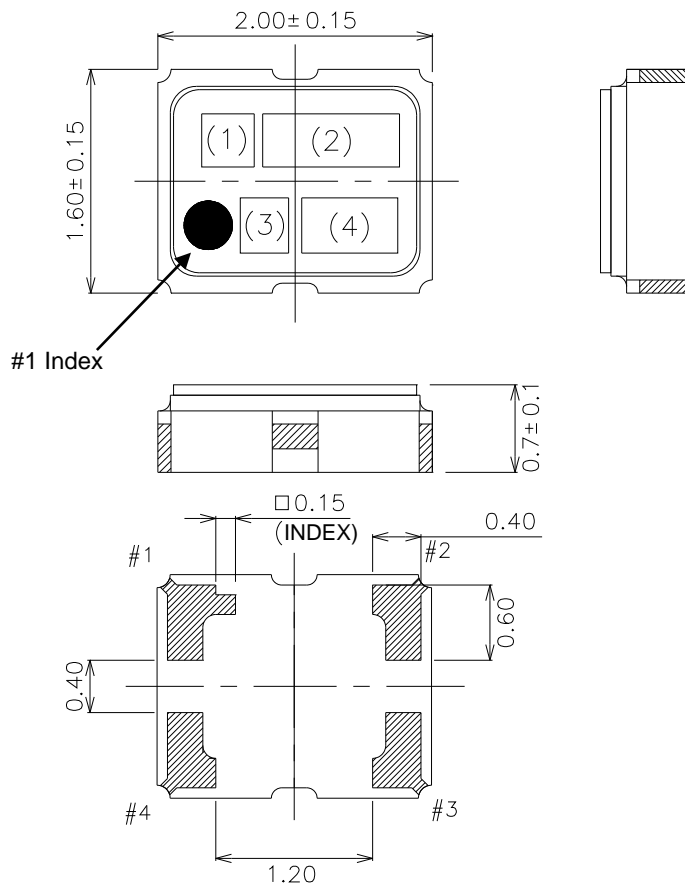
Notes

1. Clipped sine wave (DC-coupled)
2. T_A=+25°C
3. Please leave after reflow in 2h or more at room ambient.
4. Positive slope (Frequency becomes high in proportion to frequency control voltage.)

TITLE DSA211SDN TYPE SPECIFICATION		Remark		
Date 2015/10/27	Spec. No. 1XXC26000PEA	Rev. -	Page 1/2	

8. Outline, Pin Connections

Outline



Pin Connections

Pin No.	Connection
#1	V _{cont}
#2	GND
#3	Output
#4	V _{cc}

Marking

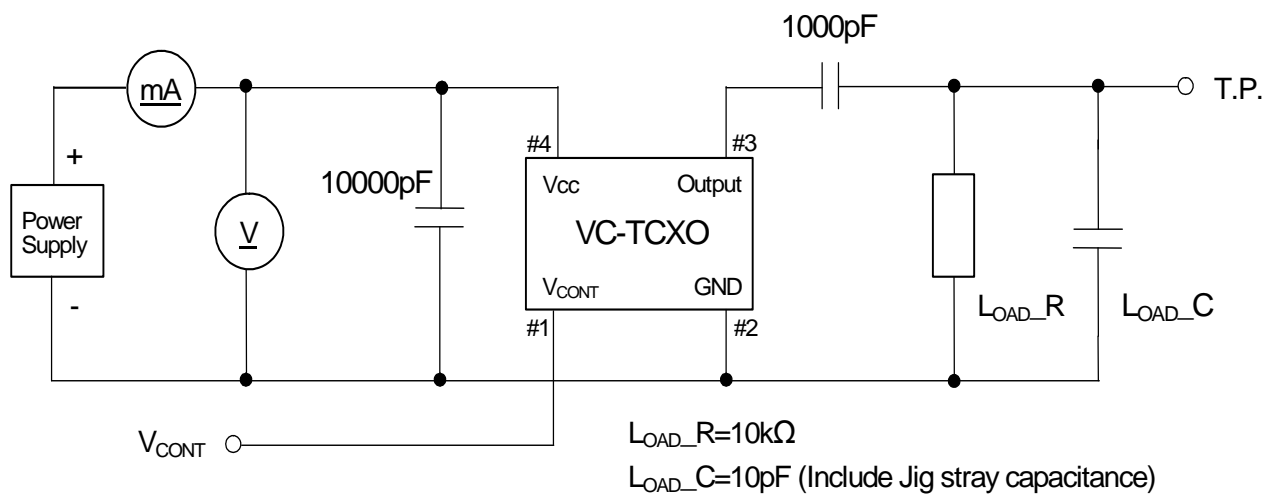
(1) Model code	AN
(2) Frequency	26.0 (MHz, 3digits)
(3) Logo	D
(4) Date code	Year (1digit) +Week (2digits) e.g.2015/1/1 → 501

unit: mm

Dimensional Tolerance: ±0.1

(Unless otherwise noted)

9. Measurement Circuit



TITLE
DSA211SDN TYPE SPECIFICATION

Remark

Date
2015/10/27

Spec. No.
1XXC26000PEA

Rev.
-

Page
2/2