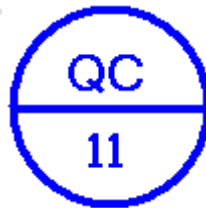




MXD8545B

0.1-3.0GHz SP4T Antenna Tuning Switch



This document contains information that is confidential and proprietary to Maxscend Microelectronics Company Limited (Maxscend) and may not be reproduced in any form without express written consent of Maxscend. No transfer or licensing of technology is implied by this document.

General Description

The MXD8545B is a CMOS silicon-on-insulator (SOI), single-pole, four-throw (SP4T) switch. The high linearity and ruggedness performance and extremely low insertion loss makes the device an ideal choice for GSM/WCDMA/LTE handset antenna tuning application.

The MXD8545B SP4T switch is provided in a compact QFN 1.1mm x 1.5mm x 0.38mm package. A functional block diagram is shown in Figure 1. The pin configuration and package are shown in Figure 2. Signal pin assignments and functional pin descriptions are provided in Table 1.

Applications

- GSM/WCDMA/LTE band and mode switching
- Antenna tuning switch

Features

- Broadband frequency range: 0.1 to 3.0 GHz
- Low insertion 0.50dB @ 2.7 GHz
- High P0.1dB of 45dBm
- Positive low voltage control: VC = 1.0 to 3.0 V, VDD = 2.5 to 3.0 V, Small QFN (10-pin, 1.1mm x 1.5mm x 0.38mm) package

Functional Block Diagram and Pin Function

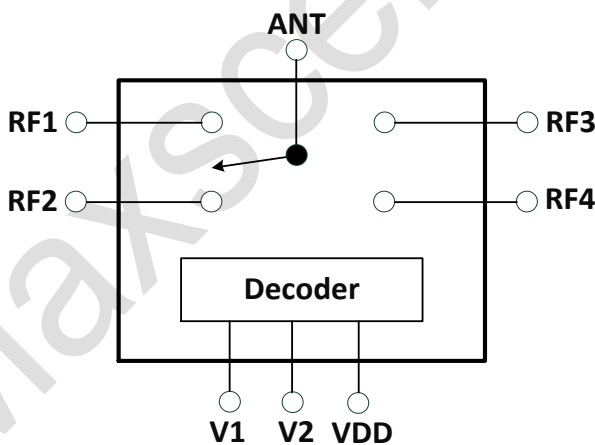


Figure 1. Functional Block Diagram

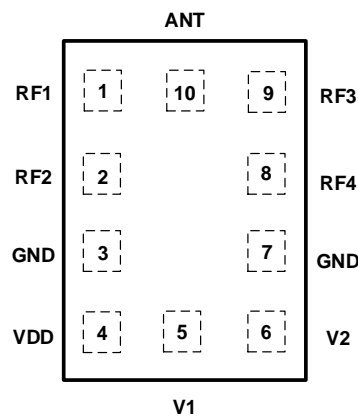
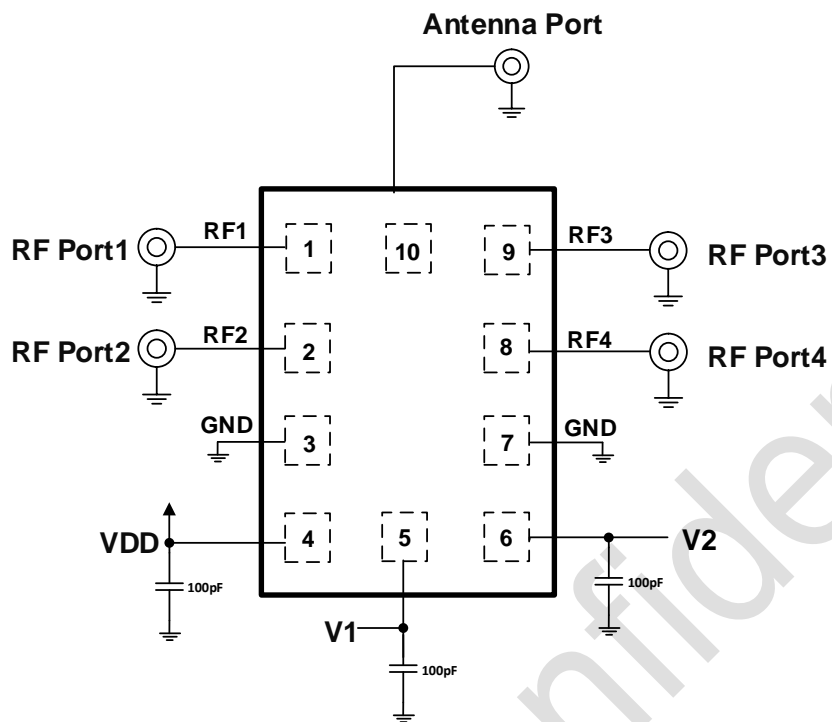


Figure 2. Pin-out (Top View)

Application Circuit

Figure 3. MXD8545B Application Circuit
Table 1. Pin Description

Pin No.	Name	Description	Pin No.	Name	Description
1	RF1	RF port 1	6	V2	Control Logic #2
2	RF2	RF port 2	7	GND	Ground
3	GND	Ground	8	RF4	RF port 4
4	VDD	DC power supply	9	RF3	RF port 3
5	V1	Control Logic #1	10	ANT	Antenna port

Truth Table
Table 2.

State	V1	V2	RF Path
RF1	0	0	ANT to RF1
RF2	0	1	ANT to RF2
RF3	1	0	ANT to RF3
RF4	1	1	ANT to RF4

Note: "1" = 1.0 V to 3.00 V. "0" = 0 V to +0.3 V.

Recommended Operation Range
Table 3.

Parameters	Symbol	Min	Typ	Max	Units
Operation Frequency	f1	0.1	-	3.0	GHz
Power supply	V _{DD}	2.5	2.8	3.0	V
Switch Control Voltage High	V _{CTL_H}	1.0	1.8	3.0	V
Switch Control Voltage Low	V _{CTL_L}	0	0	0.3	V

Specifications
Table 4. Electrical Specifications

Parameter	Symbol	Specification			Units	Test Condition
		Min.	Typical	Max.		
DC Specifications						
Control voltage: Low	V_{CTL_L}	0	0	0.3	V	
High	V_{CTL_H}	1.0	1.8	3.0	V	
Supply voltage	V_{DD}	2.5	2.8	3.0	V	
Supply current	I_{DD}		90	120	μA	$V_{DD} = 2.8 V$
Control current	I_{CTL}		1	5	μA	$V_{CTL} = 1.8 V$
RF Specifications						
Insertion loss	IL		0.35	0.45	dB	0.8 to 1.0 GHz
			0.45	0.55	dB	1.0 to 2.2 GHz
			0.50	0.70	dB	2.2 to 3.0 GHz
Isolation	ISO	27	30		dB	0.8 to 1.0 GHz
		25	27		dB	1.0 to 2.2 GHz
		20	22		dB	2.2 to 3.0 GHz
Return loss	$ S_{11} $		20		dB	0.8 to 3.0 GHz
Voltage Standing Wave Ratio	VSWR		1.20			0.8 to 3.0 GHz
On Resistance (RF1/2/3/4 to ANT)	R_{on}		1.45	1.55	Ω	Switch on Path
OFF Capacitance (RF1/2/3/4 to ANT)	C_{off}		110	135	fF	Switch off Path
Input 0.1 dB compression point	$P_{0.1dB}$	+44	+45		dBm	0.8 to 3.0 GHz, ANT to RF1/2/3/4
Peak RF operating voltage	V_{peak}	55	60		V	$f_0 = 700$ to 2700 MHz, 25% duty cycle
LTE TX harmonic (RF1/2/3/4 to ANT)	2 f_0	-70	-85		dBm	$f_0 = 700$ to 2700 MHz, PIN = +26 dBm
	3 f_0	-70	-85		dBm	
GSM LB harmonic (RF1/2/3/4 to ANT)	2 f_0	-55	-65		dBm	$f_0 = 824$ to 915 MHz, PIN = +35 dBm
	3 f_0	-55	-65		dBm	
GSM HB harmonic (RF1/2/3/4 to ANT)	2 f_0	-55	-65		dBm	$f_0 = 1710$ to 2690 MHz, PIN = +33 dBm
	3 f_0	-55	-65		dBm	
Second order intermodulation	IMD2	-105	-115		dBm	CW Carrier on RF Port, +20 dBm CW Interferer on ANT port, -15 dBm
Third order intermodulation	IMD3	-105	-115		dBm	CW Carrier on RF Port, +20 dBm CW Interferer on ANT port, -15 dBm
Switching on time			3.0	5.0	μs	50% VCTL to 90% RF
Switching off time			3.0	5.0	μs	50% VCTL to 10% RF
Startup time			10		μs	Power off state to any RF switch state

Table 5. IMD2 Test Conditions

Band	In-band freq	CW Carrier		CW Interferer	
	MHz	MHz	dBm	MHz	dBm
1 Low	2140	1950	+20	190	-15
1 High	2140	1950	+20	4090	-15
5 Low	881.5	836.5	+20	45	-15
5 High	881.5	836.5	+20	1718	-15

Table 6. IMD3 Test Conditions

Band	In-band freq	CW Carrier		CW Interferer	
	MHz	MHz	dBm	MHz	dBm
1	2140	1950	+20	1760	-15
5	881.5	836.5	+20	791.5	-15

Absolute Maximum Ratings
Table 7. Maximum ratings

Parameters	Symbol	Minimum	Maximum	Units
Supply voltage	V _{DD}	+2.5	+3.6	V
Digital control voltage	V _{CTL}	0	+3.6	V
RF input power	P _{IN}		+45.5	dBm
Operating temperature	T _{OP}	-30	+85	°C
Storage temperature	T _{STG}	-55	+150	°C
Electrostatic Discharge Human body model (HBM), Class 2	ESD_HBM		2000	V
Machine Model (MM), Class B	ESD_MM		200	
Charged device model (CDM), Class III	ESD_CDM		500	

Note: Exposure to maximum rating conditions for extended periods may reduce device reliability. There is no damage to device with only one parameter set at the limit and all other parameters set at or below their nominal value. Exceeding any of the limits listed here may result in permanent damage to the device.

Package Outline Dimension

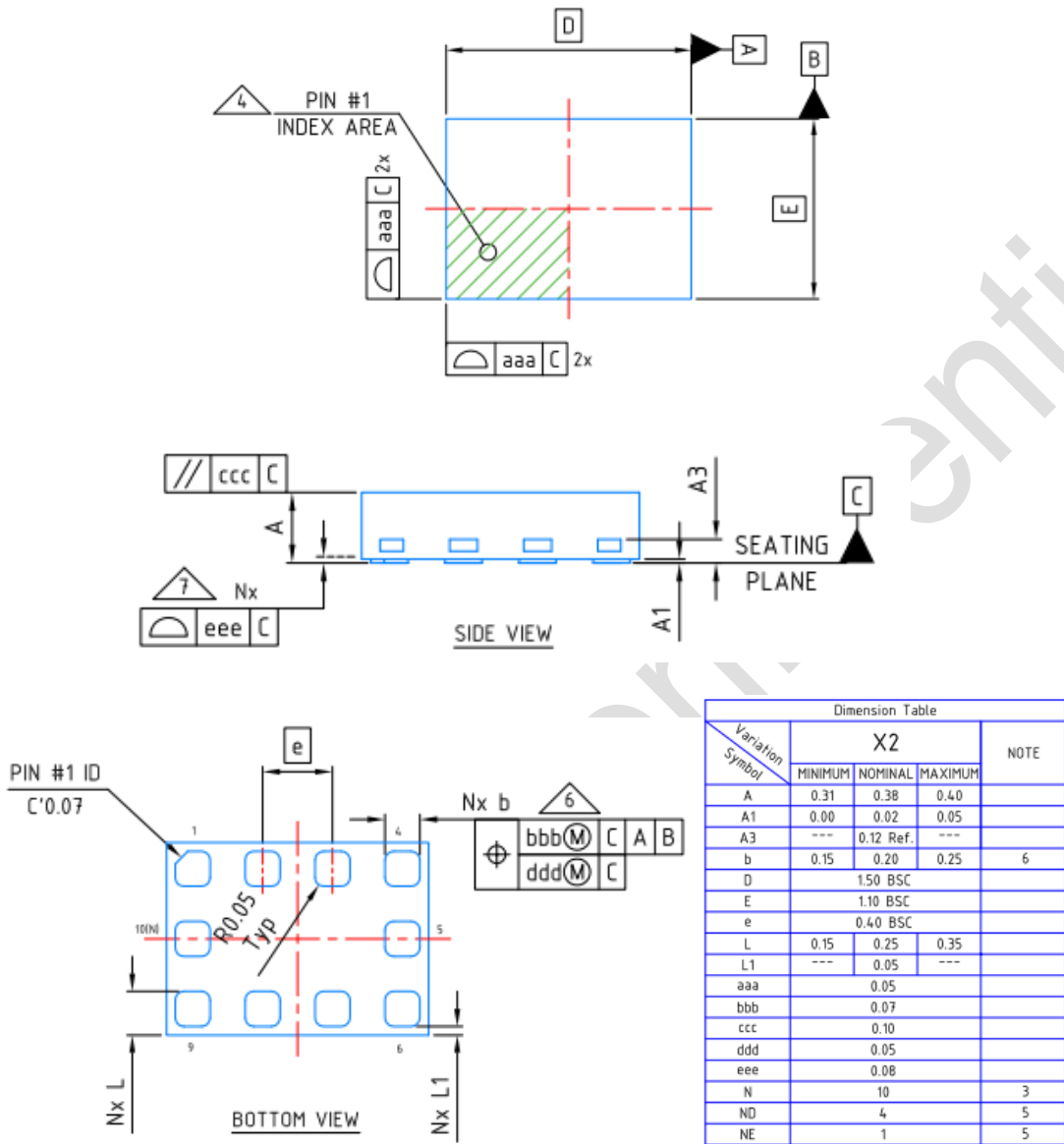


Figure 4. Package outline dimension

NOTE:

1. Dimensioning and tolerancing conform to ASME Y14.5-2009.
2. All dimensions are in millimeters.
3. N is the total number of terminals.
4. The location of the marked terminal #1 identifier is within the hatched area.
5. ND and NE refers to the maximum number of terminals on each D and E side respectively.
6. Dimension b applies to the metallized terminal and is measured between 0.15mm and 0.30mm from the terminal tip. If the terminal has a radius on the other end of it, dimension b should not be measured in that radius area.
7. Coplanarity applies to the terminals and all other bottom surface metallization.

Reflow Chart

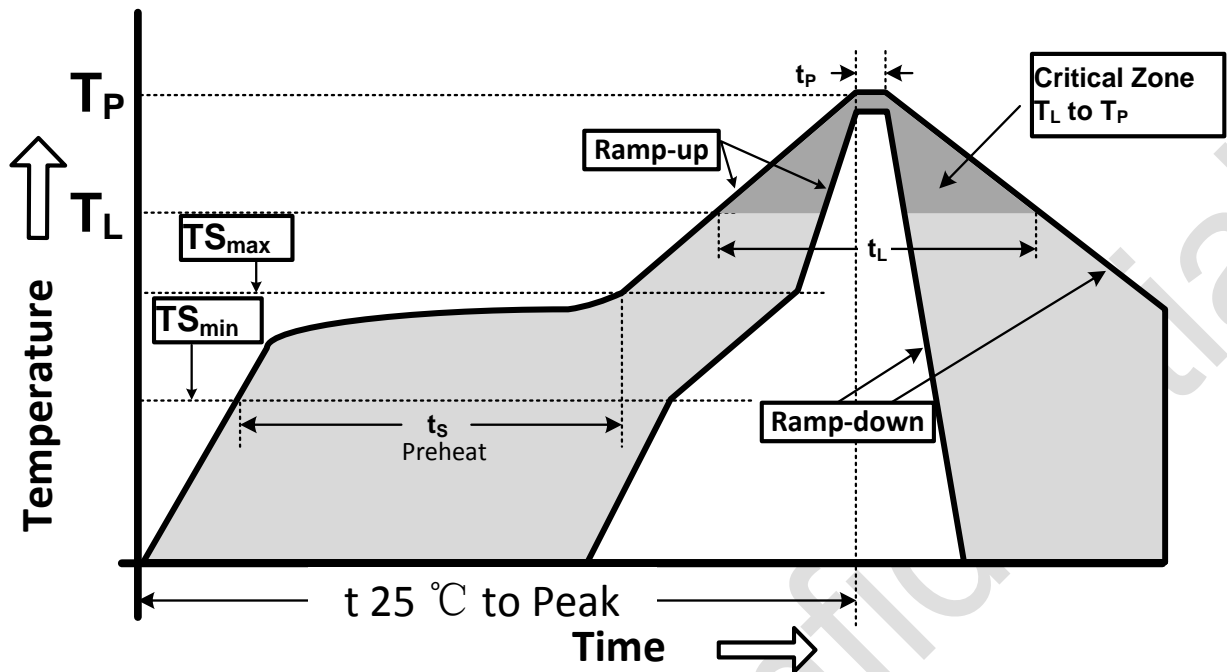


Figure 5. Recommended Lead-Free Reflow Profile

Table 8.

Profile Parameter	Lead-Free Assembly, Convection, IR/Convection
Ramp-up rate ($T_{S_{max}}$ to T_P)	3°C/second max.
Preheat temperature ($T_{S_{min}}$ to $T_{S_{max}}$)	150°C to 200°C
Preheat time (t_s)	60 - 180 seconds
Time above T_L , 217°C (t_L)	60 - 150 seconds
Peak temperature (T_P)	260°C
Time within 5°C of peak temperature(t_p)	20 - 40 seconds
Ramp-down rate	6°C/second max.
Time 25°C to peak temperature	8 minutes max.

ESD Sensitivity

Integrated circuits are ESD sensitive and can be damaged by static electric charge. Proper ESD protection techniques should be used when handling these devices.

RoHS Compliant

This product does not contain lead, mercury, cadmium, hexavalent chromium, polybrominated biphenyls (PBB) and polybrominated diphenyl ethers (PBDE), and are considered RoHS compliant.

1.1.1