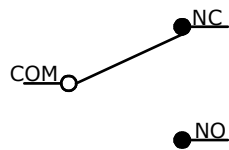


C P.C. MOUNTING

O.P. (MM)	P.T. (MM)
8.5 ±0.3	1.1 MAX

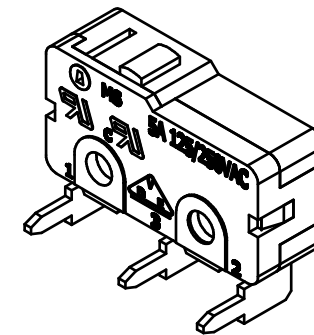
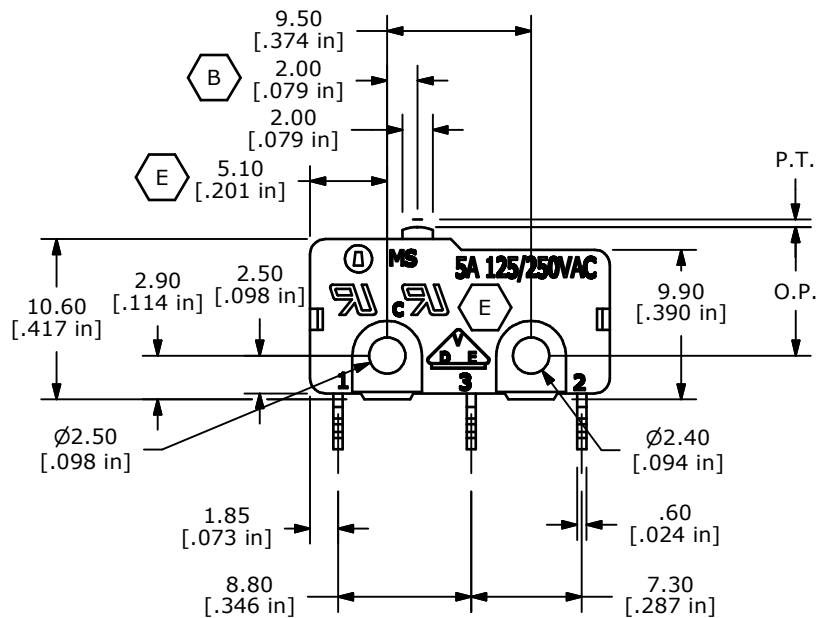
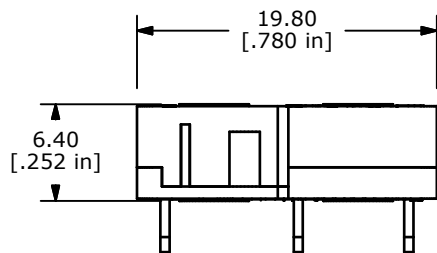
O.P. = OPERATING POINT
P.T. = PRE-TRAVEL



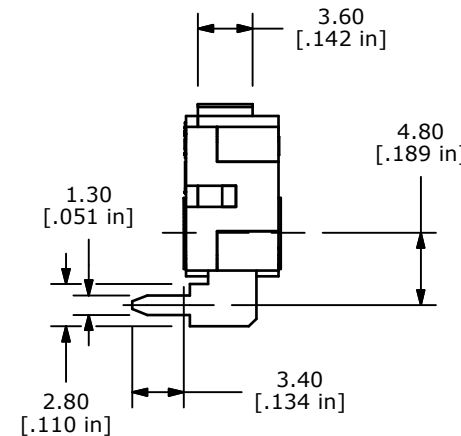
CIRCUIT: SPDT

NOTES:

1. ALL DIMENSIONS IN MM [INCH]
2. GENERAL TOLERANCE: X.X±0.4
X.XX±0.25
3. RATING: 5A @125/250VAC UL, CUL, VDE APPROVED
- ▲ 4. OPERATING FORCE: 80± 25 GRAMS
5. OPERATING TEMP: -25°C TO 85°C
6. ELECTRICAL LIFE: 50,000 CYCLES MIN.
7. MECHANICAL LIFE: 1,000,000 CYCLES TYP.
8. INSULATION RESISTANCE: 100 MEGA-OHMS
9. DIELECTRIC STRENGTH: 1000VAC 1 MINUTE (INITIAL VALUE)
10. CONTACT RESISTANCE: 100 MILLI-OHMS MAX.
11. ▲ DENOTES CRITICAL PARAMETER
12. 2002/95/EC (ROHS) COMPLIANT



ISOMETRIC



REV	PCR NO	DESCRIPTION	DATE	BY
E	15649	CHANGES NOTED	1/3/06	PH
D	15047	EDIT P.C. MOUNTING, ROHS NOTE	9/15/05	PH
C	15047	ADDED P.C. MOUNTING	6/30/05	JB
B	14969	CHANGED DIMENSIONS	6/2/05	JB
A	14909	RELEASED FOR PRODUCTION	5/12/05	JB

THE INFORMATION CONTAINED IN THIS DOCUMENT IS PROPRIETARY TO E-SWITCH AND IS NOT TO BE COPIED OR TRANSFERRED



TITLE MS0850500F080V2A

SCALE	DATE	DR	DWG	REV
2:1	5/12/2005	JB	Q970012	E