



***FM25F04A***

***4M-BIT SERIAL FLASH MEMORY***

**Datasheet**

---

**Jun. 2015**



INFORMATION IN THIS DOCUMENT IS INTENDED AS A REFERENCE TO ASSIST OUR CUSTOMERS IN THE SELECTION OF SHANGHAI FUDAN MICROELECTRONICS GROUP CO., LTD PRODUCT BEST SUITED TO THE CUSTOMER'S APPLICATION; THEY DO NOT CONVEY ANY LICENSE UNDER ANY INTELLECTUAL PROPERTY RIGHTS, OR ANY OTHER RIGHTS, BELONGING TO SHANGHAI FUDAN MICROELECTRONICS GROUP CO., LTD OR A THIRD PARTY.

WHEN USING THE INFORMATION CONTAINED IN THIS DOCUMENTS, PLEASE BE SURE TO EVALUATE ALL INFORMATION AS A TOTAL SYSTEM BEFORE MAKING A FINAL DECISION ON THE APPLICABILITY OF THE INFORMATION AND PRODUCTS.

PURCHASERS ARE SOLELY RESPONSIBLE FOR THE CHOICE, SELECTION AND USE OF THE SHANGHAI FUDAN MICROELECTRONICS GROUP CO., LTD PRODUCTS AND SERVICES DESCRIBED HEREIN, AND SHANGHAI FUDAN MICROELECTRONICS GROUP CO., LTD ASSUMES NO LIABILITY WHATSOEVER RELATING TO THE CHOICE, SELECTION OR USE OF THE SHANGHAI FUDAN MICROELECTRONICS GROUP CO., LTD PRODUCTS AND SERVICES DESCRIBED HEREIN. UNLESS EXPRESSLY APPROVED IN WRITING BY AN AUTHORIZED SHANGHAI FUDAN MICROELECTRONICS GROUP CO., LTD REPRESENTATIVE, SHANGHAI FUDAN MICROELECTRONICS GROUP CO., LTD PRODUCTS ARE NOT RECOMMENDED, AUTHORIZED OR WARRANTED FOR USE IN MILITARY, AIR CRAFT, SPACE, LIFE SAVING, OR LIFE SUSTAINING APPLICATIONS, NOR IN PRODUCTS OR SYSTEMS WHERE FAILURE OR MALFUNCTION MAY RESULT IN PERSONAL INJURY, DEATH, OR SEVERE PROPERTY OR ENVIRONMENTAL DAMAGE.

FUTURE ROUTINE REVISIONS WILL OCCUR WHEN APPROPRIATE, WITHOUT NOTICE. CONTACT SHANGHAI FUDAN MICROELECTRONICS GROUP CO., LTD SALES OFFICE TO OBTAIN THE LATEST SPECIFICATIONS AND BEFORE PLACING YOUR PRODUCT ORDER. PLEASE ALSO PAY ATTENTION TO INFORMATION PUBLISHED BY SHANGHAI FUDAN MICROELECTRONICS GROUP CO., LTD BY VARIOUS MEANS, INCLUDING SHANGHAI FUDAN MICROELECTRONICS GROUP CO., LTD HOME PAGE ([HTTP://WWW.FMSH.COM/](http://www.fms.com/)).

PLEASE CONTACT SHANGHAI FUDAN MICROELECTRONICS GROUP CO., LTD LOCAL SALES OFFICE FOR THE SPECIFICATION REGARDING THE INFORMATION IN THIS DOCUMENT OR SHANGHAI FUDAN MICROELECTRONICS GROUP CO., LTD PRODUCTS.

#### **Trademarks**

Shanghai Fudan Microelectronics Group Co., Ltd name and logo, the “复旦” logo are trademarks or registered trademarks of Shanghai Fudan Microelectronics Group Co., Ltd or its subsidiaries in China.

Shanghai Fudan Microelectronics Group Co., Ltd, Printed in the China, All Rights Reserved.

# 1. Description

The FM25F04A is a 4M-bit (512K-byte) Serial Flash memory, with advanced write protection mechanisms. The FM25F04A supports the standard Serial Peripheral Interface (SPI), and a high performance Dual output as well as Dual I/O.

The FM25F04A can be programmed 1 to 256 bytes at a time, using the Page Program instruction. It is designed to allow either single Sector/Block at a time or full chip erase operation. The FM25F04A can be configured to protect part of the memory as the software protected mode. The device can sustain a minimum of 100K program/erase cycles on each sector or block.

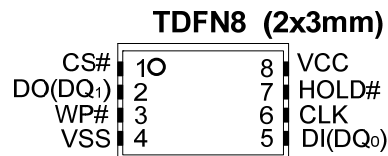
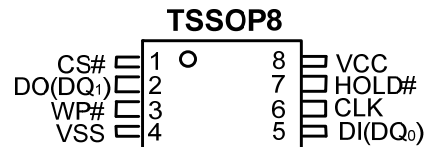
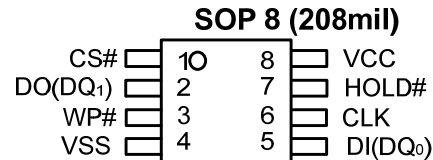
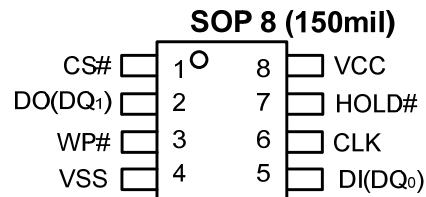
## 2. Features

- **4Mbit of Flash memory**
  - 128 uniform sectors with 4K-byte each
  - 8 uniform blocks with 64K-byte each
  - 256 bytes per programmable page
- **Wide Operation Range**
  - 2.3V~3.6V single voltage supply
  - Industrial temperature range
- **Serial Interface**
  - Standard SPI: CLK, CS#, DI, DO, WP#
  - Dual SPI: CLK, CS#, DQ<sub>0</sub>, DQ<sub>1</sub>, WP#
  - Continuous READ mode support
- **High Performance**
  - Max FAST\_READ clock frequency: 100MHz
  - Max READ clock frequency: 66MHz
  - Typical page program time: 1.5ms
  - Typical sector erase time: 90ms
  - Typical block erase time: 500ms
  - Typical chip erase time: 3.5s
- **Low Power Consumption**
  - Typical standby current: 1μA
- **Security**
  - Software and hardware write protection
  - Lockable 256-Byte OTP security sectors
  - Low Voltage Write Inhibit
  - 64-Bit Unique ID for each device
- **High Reliability**
  - Endurance: 100,000 program/erase cycles
  - Data retention: 20 years

- **Green Package**

- 8-pin SOP (150mil)
- 8-pin SOP (208mil)
- 8-pin TSSOP
- 8-pad TDFN (2×3mm)
- All Packages are RoHS Compliant and Halogen-free

## 3. Packaging Type



## 4. Pin Configurations

PIN NO.	PIN NAME	I/O	FUNCTION
1	CS#	I	Chip Select Input
2	DO (DQ <sub>1</sub> )	I/O	Data Output (Data Input Output 1) <sup>(1)</sup>
3	WP#	I	Write Protect Input
4	VSS		Ground
5	DI (DQ <sub>0</sub> )	I/O	Data Input (Data Input Output 0) <sup>(1)</sup>
6	CLK	I	Serial Clock Input
7	HOLD#	I	Hold Input
8	VCC		Power Supply

## 5. Block Diagram

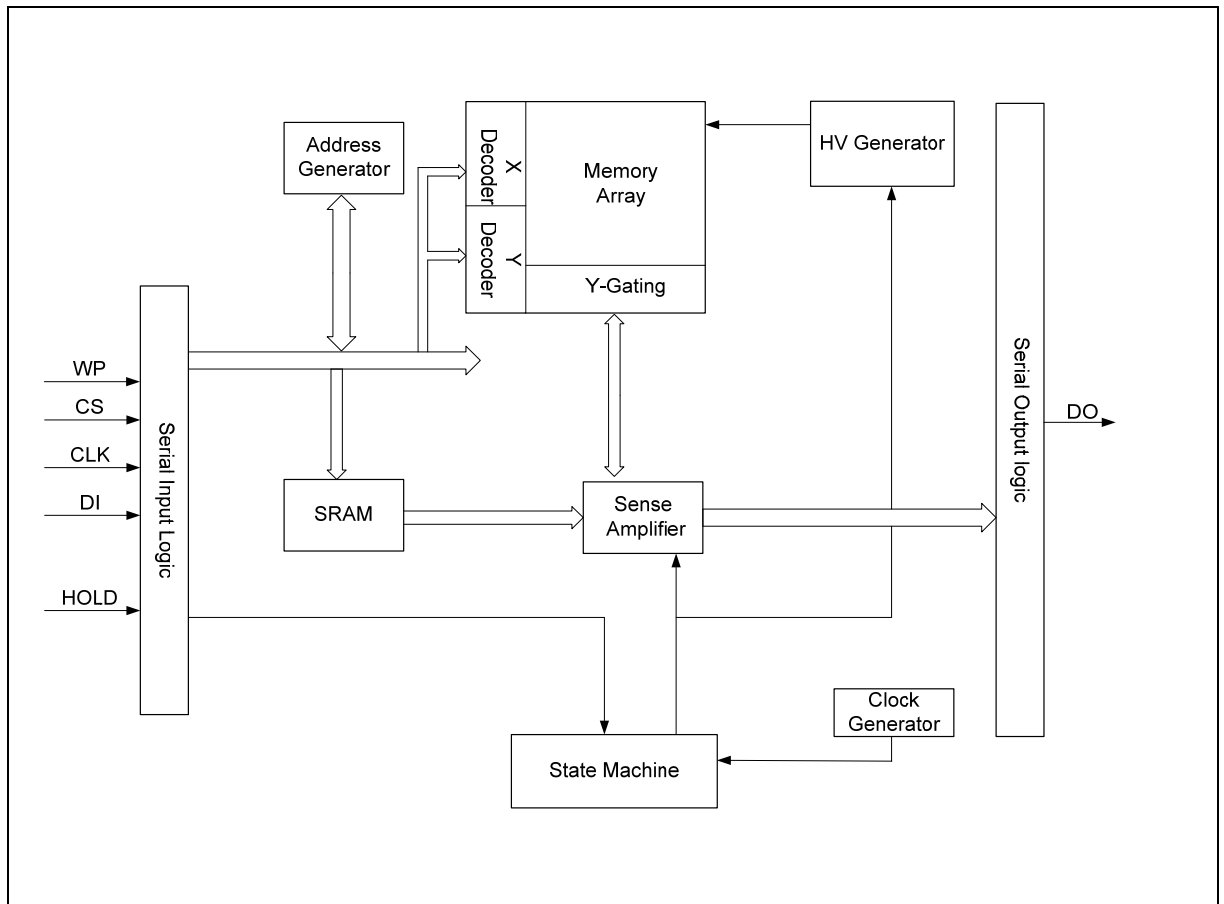


Figure 1 FM25F04A Serial Flash Memory Block Diagram

## 6. Pin Descriptions

**Serial Clock (CLK):** The SPI Serial Clock Input (CLK) pin provides the timing for serial input and output operations.

**Serial Data Input, Output and I/Os (DI, DO and DQ<sub>0</sub>, DQ<sub>1</sub>):** The FM25F04A supports standard SPI and Dual SPI operation. Standard SPI instructions use the unidirectional DI (input) pin to serially write instructions, addresses or data to the device on the rising edge of the Serial Clock (CLK) input pin. Standard SPI also uses the unidirectional DO (output) to read data or status from the device on the falling edge of CLK.

Dual SPI instructions use the bidirectional DQ pins to serially write instructions, addresses or data to the device on the rising edge of CLK and read data or status from the device on the falling edge of CLK.

**Chip Select (CS#):** The SPI Chip Select (CS#) pin enables and disables device operation. When CS# is high, the device is deselected and the Serial Data Output (DO) pins are at high impedance. When deselected, the devices power consumption will be at standby levels unless an internal erase, program or write status register cycle is in progress. When CS# is brought low, the device will be selected, power consumption will increase to active levels and instructions can be written to and data read from the device. After power-up, CS# must transition from high to low before a new instruction will be accepted. The CS# input must track the VCC supply level at power-up (see “9 Write Protection” and Figure 26). If needed a pull-up resistor on CS# can be used to accomplish this.

**HOLD (HOLD#):** The HOLD# pin allows the device to be paused while it is actively selected. When HOLD# is brought low, while CS# is low, the DO pin will be at high impedance and signals on the DI and CLK pins will be ignored (don't care). When HOLD# is brought high, device operation can resume. The HOLD# function can be useful when multiple devices are sharing the same SPI signals. The HOLD# pin is active low.

**Write Protect (WP#):** The Write Protect (WP#) pin can be used to prevent the Status Registers from being written. Used in conjunction with the Status Register's Block Protect (BP2, BP1 and BP0) bits and Status Register Protect (SRP) bits, a portion as small as a 4KB sector or the entire memory array can be hardware protected. The WP# pin is active low.

## 7. Memory Organization

The FM25F04A array is organized into 2048 programmable pages of 256-bytes each. Up to 256 bytes can be programmed (bits are programmed from 1 to 0) at a time. Pages can be erased in groups of 16 (4KB sector erase), groups of 256 (64KB block erase) or the entire chip (chip erase). The FM25F04A has 128 erasable sectors and 8 erasable 64-k byte blocks respectively. The small 4KB sectors allow for greater flexibility in applications that require data and parameter storage.

Table 1 Memory Organization

Block (64KB)	Sector (4KB)	Address Range	
7	127	07F000h	07FFFFh
	...	...	...
	112	070000h	070FFFh
6	111	06F000h	06FFFFh

Block (64KB)	Sector (4KB)	Address Range	
	...	...	...
	96	060000h	060FFFh
5	95	05F000h	05FFFFh
	...	...	...
	80	050000h	050FFFh
4	79	04F000h	04FFFFh
	...	...	...
	64	040000h	040FFFh
3	63	03F000h	03FFFFh
	...	...	...
	48	030000h	030FFFh
2	47	02F000h	02FFFFh
	...	...	...
	32	020000h	020FFFh
1	31	01F000h	01FFFFh
	...	...	...
	16	010000h	010FFFh
0	15	00F000h	00FFFFh
	...	...	...
	2	002000h	002FFFh
	1	001000h	001FFFh
	0	000000h	000FFFh

## 8. Device Operations

### 8.1. Standard SPI

The FM25F04A is accessed through an SPI compatible bus consisting of four signals: Serial Clock (CLK), Chip Select (CS#), Serial Data Input (DI) and Serial Data Output (DO). Standard SPI instructions use the DI input pin to serially write instructions, addresses or data to the device on the rising edge of CLK. The DO output pin is used to read data or status from the device on the falling edge of CLK.

SPI bus operation Mode 0 (0,0) and 3 (1,1) are supported. The primary difference between Mode 0 and Mode 3 concerns the normal state of the CLK signal when the SPI bus master is in standby and data is not being transferred to the Serial Flash. For Mode 0, the CLK signal is normally low on the falling and rising edges of CS#. For Mode 3, the CLK signal is normally high on the falling and rising edges of CS#.

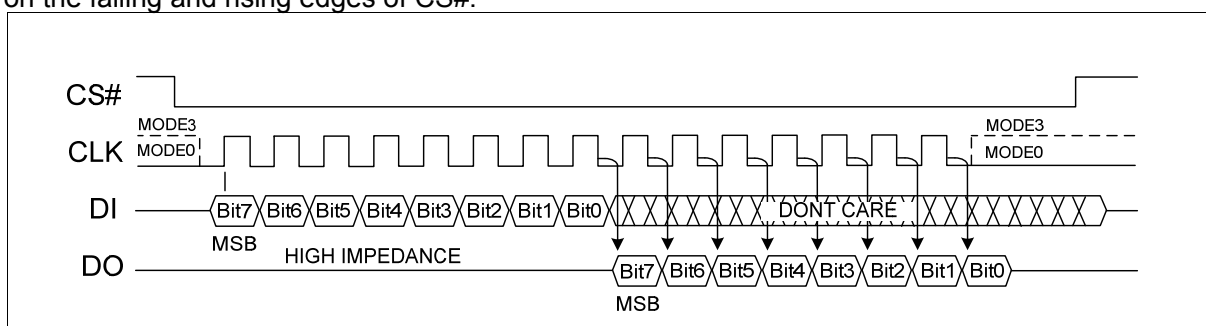


Figure 2 The difference between Mode 0 and Mode 3

### 8.2. Dual SPI

The FM25F04A supports Dual SPI operation when using instructions such as “Fast Read Dual Output (3Bh)” and “Fast Read Dual I/O (BBh)”. These instructions allow data to be transferred to or from the device at two to three times the rate of ordinary Serial Flash devices. The Dual SPI Read instructions are ideal for quickly downloading code to RAM upon power-up (code-shadowing) or for executing non-speed-critical code directly from the SPI bus (XIP). When using Dual SPI instructions, the DI and DO pins become bidirectional I/O pins: DQ<sub>0</sub> and DQ<sub>1</sub>.

### 8.3. Hold

For Standard SPI operation, the HOLD# signal allows the FM25F04A operation to be paused while it is actively selected (when CS# is low). The HOLD# function may be useful in cases where the SPI data and clock signals are shared with other devices. For example, consider if the page buffer was only partially written when a priority interrupt requires use of the SPI bus. In this case the HOLD# function can save the state of the instruction and the data in the buffer so programming can resume where it left off once the bus is available again.

To initiate a HOLD# condition, the device must be selected with CS# low. A HOLD# condition will activate on the falling edge of the HOLD# signal if the CLK signal is already low. If the CLK is not already low the HOLD# condition will activate after the next falling edge of CLK. The HOLD# condition will terminate on the rising edge of the HOLD# signal if the CLK signal is already low. If the CLK is not already low the HOLD# condition will terminate after the next falling edge of CLK. During a HOLD# condition, the Serial Data Output (DO) is high impedance, and Serial Data Input (DI) and Serial Clock (CLK) are ignored. The Chip Select (CS#) signal should be kept

active (low) for the full duration of the HOLD# operation to avoid resetting the internal logic state of the device.

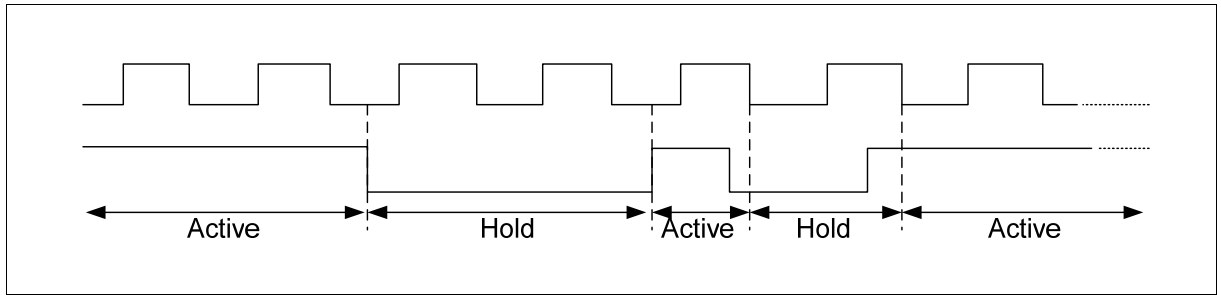


Figure 3 Hold Condition Waveform



## 9. Write Protection

Applications that use non-volatile memory must take into consideration the possibility of noise and other adverse system conditions that may compromise data integrity. To address this concern, the FM25F04A provides several means to protect the data from inadvertent writes.

### Write Protect Features

- Device resets when VCC is below threshold
- Time delay write disable after Power-up
- Write enable/disable instructions and automatic write disable after erase or program
- Software and Hardware (WP# pin) write protection using Status Register
- Write Protection using Power-down instruction
- Lock Down write protection for Status Register until the next power-up
- One Time Program (OTP) write protection for array and Security Sectors using Status Register.

Upon power-up or at power-down, the FM25F04A will maintain a reset condition while VCC is below the threshold value of VWI, (see “9 Write Protection” and Figure 26). While reset, all operations are disabled and no instructions are recognized. During power-up and after the VCC voltage exceeds VWI, all program and erase related instructions are further disabled for a time delay of  $t_{PUW}$ . This includes the Write Enable, Page Program, Sector Erase, Block Erase, Chip Erase and the Write Status Register instructions. Note that the chip select pin (CS#) must track the VCC supply level at power-up until the VCC-min level and  $t_{VSL}$  time delay is reached. If needed a pull-up resistor on CS# can be used to accomplish this.

After power-up the device is automatically placed in a write-disabled state with the Status Register Write Enable Latch (WEL) set to a 0. A Write Enable instruction must be issued before a Page Program, Sector Erase, Block Erase, Chip Erase or Write Status Register instruction will be accepted. After completing a program, erase or write instruction the Write Enable Latch (WEL) is automatically cleared to a write-disabled state of 0.

Software controlled write protection is facilitated using the Write Status Register instruction and setting the Status Register Protect (SRP) and Block Protect (BP2, BP1 and BP0) bits. These settings allow a portion or the entire memory array to be configured as read only. Used in conjunction with the Write Protect (WP#) pin, changes to the Status Register can be enabled or disabled under hardware control. See Status Register section for further information. Additionally, the Power-down instruction offers an extra level of write protection as all instructions are ignored except for the Release Power-down instruction.

## 10. Status Register

The Read Status Register instruction can be used to provide status on the availability of the Flash memory array, if the device is write enabled or disabled, the state of write protection, Security Sector lock status. The Write Status Register instruction can be used to configure the device write protection features and Security Sector OTP lock. Write access to the Status Register is controlled by the state of the non-volatile Status Register Protect bit (SRP), the Write Enable instruction, and the WP# pin.

Factory default for all Status Register bits are 0.

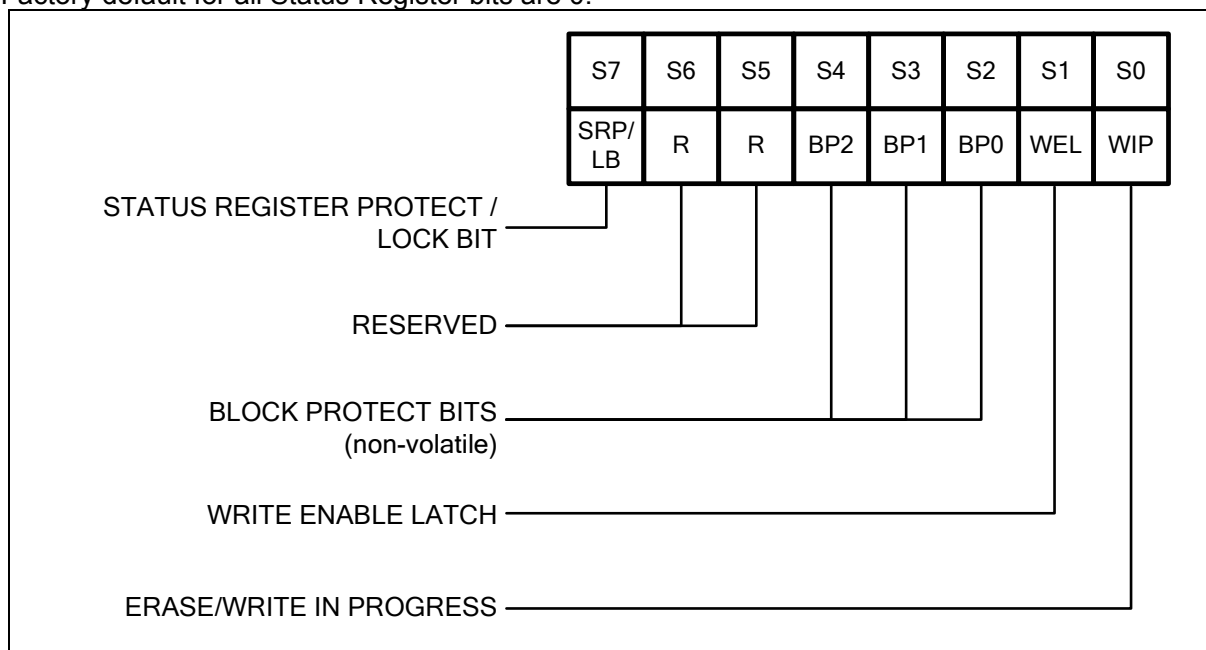


Figure 4 Status Register

### 10.1. WIP Bit

WIP is a read only bit in the status register (S0) that is set to a 1 state when the device is executing a Page Program, Sector Erase, Block Erase, Chip Erase, Write Status Register. During this time the device will ignore further instructions except for the Read Status Register (see  $t_W$ ,  $t_{PP}$ ,  $t_{SE}$ ,  $t_{BE}$ , and  $t_{CE}$  in “12.6 AC Electrical Characteristics”). When the program, erase or write status register (or security sector) instruction has completed, the WIP bit will be cleared to a 0 state indicating the device is ready for further instructions.

### 10.2. Write Enable Latch bit (WEL)

Write Enable Latch (WEL) is a read only bit in the status register (S1) that is set to 1 after executing a Write Enable Instruction. The WEL status bit is cleared to 0 when the device is write disabled. A write disable state occurs upon power-up or after any of the following instructions: Write Disable, Page Program, Sector Erase, Block Erase, Chip Erase, Write Status Register.

### 10.3. Block Protect Bits (BP2, BP1, BP0)

The Block Protect Bits (BP2, BP1, BP0) are non-volatile read/write bits in the status register (S4, S3, and S2) that provide Write Protection control and status. Block Protect bits can be set using

the Write Status Register Instruction (see  $t_w$  in “12.6 AC Electrical Characteristics”). All, none or a portion of the memory array can be protected from Program and Erase instructions (see Table 2 Status Register Memory Protection). The factory default setting for the Block Protection Bits is 0, none of the array protected.

## 10.4. Status Register Protect bit / Lock\_bit (SRP/LB)

The Status Register Protect (SRP) bit is operated in conjunction with the Write Protect (WP#) signal. The Status Register Write Protect (SRP) bit and Write Protect (WP#) signal allow the device to be put in the Hardware Protected mode (when the Status Register Protect (SRP) bit is set to 1, and Write Protect (WP#) is driven Low). In this mode, the non-volatile bits of the Status Register (SRP, BP2, BP1, BP0) become read-only bits and the Write Status Register (WRSR) instruction is no longer accepted for execution.

In OTP mode, this bit is served as Lock\_bit (LB), user can read/program/erase security sector as normal sector while LB value is equal 0, after LB is programmed with 1 by WRSR command, the security sector is protected from program and erase operation. The LB can only be programmed once.

Note : In OTP mode, the WRSR command will ignore any input data and program LB to 1, user must clear the protect bits before enter OTP mode and program the OTP code, then execute WRSR command to lock the security sector before leaving OTP mode.

## 10.5. Status Register Memory Protection

Table 2 Status Register Memory Protection

Status Register Content			Memory Content			
BP2 bit	BP1 bit	BP0 bit	Protect Areas	Address	Density (KB)	Portion
0	0	0	None	None	None	None
0	0	1	Sector 0-125	000000h-07DFFFh	504KB	Lower 126/128
0	1	0	Sector 0-123	000000h-07BFFFh	496KB	Lower 124/128
0	1	1	Sector 0-119	000000h-077FFFh	480KB	Lower 120/128
1	0	0	Sector 0-111	000000h-06FFFFh	448KB	Lower 112/128
1	0	1	Sector 0-95	000000h-05FFFFh	384KB	Lower 96/128
1	1	0	Sector 0-63	000000h-03FFFFh	256KB	Lower 64/128
1	1	1	All	000000h-07FFFFh	512KB	All

# 11. Instructions

The Standard SPI instruction set of the FM25F04A consists of 15 basic instructions that are fully controlled through the SPI bus (see Table 4. Instruction Set). Instructions are initiated with the falling edge of Chip Select (CS#). The first byte of data clocked into the DI input provides the instruction code. Data on the DI input is sampled on the rising edge of clock with most significant bit (MSB) first.

Instructions vary in length from a single byte to several bytes and may be followed by address bytes, data bytes, dummy bytes (don't care), and in some cases, a combination. Instructions are completed with the rising edge of edge CS#. Clock relative timing diagrams for each instruction are included in Figure 5 through Figure 25. All read instructions can be completed after any clocked bit. However, all instructions that Write, Program or Erase must complete on a byte boundary (CS# driven high after a full 8-bits have been clocked) otherwise the instruction will be ignored. This feature further protects the device from inadvertent writes. Additionally, while the memory is being programmed or erased, or when the Status Register is being written, all instructions except for Read Status Register will be ignored until the program or erase cycle has completed.

## 11.1. Manufacturer and Device Identification

Table 3 Manufacturer and Device Identification

OP Code	MF7-MF0	ID15-ID0	ID7-ID0
ABh			12h
90h	A1h		12h
9Fh	A1h	3113h	

## 11.2. Standard SPI Instructions Set

Table 4 Standard SPI Instructions Set<sup>(1)</sup>

INSTRUCTION NAME	BYTE 1	BYTE 2	BYTE 3	BYTE 4	BYTE 5	BYTE 6
CLOCK NUMBER	(0-7)	(8-15)	(16-23)	(24-31)	(32-39)	(40-47)
Write Enable	06h					
Write Disable	04h					
Read Status Register	05h	(S7-S0) <sup>(2)</sup>				
Write Status Register	01h	(S7-S0)				
Page Program	02h	A23-A16	A15-A8	A7-A0	D7-D0	D7-D0 <sup>(3)</sup>
Sector Erase (4KB)	20h	A23-A16	A15-A8	A7-A0		
Block Erase (32KB)	52h	A23-A16	A15-A8	A7-A0		
Block Erase (64KB)	D8h	A23-A16	A15-A8	A7-A0		
Chip Erase	C7h/60h					
Power-down	B9h					
Read Data	03h	A23-A16	A15-A8	A7-A0	(D7-D0)	
Fast Read	0Bh	A23-A16	A15-A8	A7-A0	dummy	(D7-D0)
Release Powerdown / ID <sup>(4)</sup>	ABh	dummy	dummy	dummy	(ID7-ID0) <sup>(2)</sup>	

INSTRUCTION NAME	BYTE 1	BYTE 2	BYTE 3	BYTE 4	BYTE 5	BYTE 6
Manufacturer/Device ID <sup>(4)</sup>	90h	dummy	dummy	00h	(MF7-MF0)	(ID7-ID0)
JEDEC ID <sup>(4)</sup>	9Fh	(MF7-MF0) Manufacturer	(ID15-ID8) Memory Type	(ID7-ID0) Capacity		
Read Unique ID	4Bh	dummy	dummy	dummy	dummy	(UID63-UID0)
Enter OTP mode	3Ah					

**Notes:**

1. Data bytes are shifted with Most Significant Bit first. Byte fields with data in parenthesis “ ( ) ” indicate data output from the device on DO pin.
2. The Status Register contents and Device ID will repeat continuously until CS# terminates the instruction.
3. At least one byte of data input is required for Page Program and Program Security Sectors, up to 256 bytes of data input. If more than 256 bytes of data are sent to the device, the addressing will wrap to the beginning of the page and overwrite previously sent data.
4. See Table 3 Manufacturer and Device Identification table for device ID information.

### 11.3. Dual SPI Instructions Set

Table 5 Dual SPI Instructions Set

INSTRUCTION NAME	BYTE 1	BYTE 2	BYTE 3	BYTE 4	BYTE 5	BYTE 6
CLOCK NUMBER	(0-7)	(8-15)	(16-23)	(24-31)	(32-39)	(40-47)
Fast Read Dual Output	3Bh	A23-A16	A15-A8	A7-A0	dummy	(D7-D0, ...) <sup>(6)</sup>
Fast Read Dual I/O	BBh	A23-A8 <sup>(5)</sup>	A7-A0, M7-M0 <sup>(5)</sup>	(D7-D0, ...) <sup>(6)</sup>		

**Notes:**

5. Data bytes are shifted with Most Significant Bit first. Byte fields with data in parenthesis “ ( ) ” indicate data output from the device on 1 or 2 DQ pins.
6. The Status Register contents and Device ID will repeat continuously until CS# terminates the instruction.
7. At least one byte of data input is required for Page Program and Program Security Sectors, up to 256 bytes of data input. If more than 256 bytes of data are sent to the device, the addressing will wrap to the beginning of the page and overwrite previously sent data.
8. See Table 3 Manufacturer and Device Identification table for device ID information.
9. Dual SPI address input format:  
 $DQ_0 = A22, A20, A18, A16, A14, A12, A10, A8, A6, A4, A2, A0, M6, M4, M2, M0$   
 $DQ_1 = A23, A21, A19, A17, A15, A13, A11, A9, A7, A5, A3, A1, M7, M5, M3, M1$
10. Dual SPI data output format:  
 $DQ_0 = (D6, D4, D2, D0)$   
 $DQ_1 = (D7, D5, D3, D1)$

## 11.4. Write Enable (WREN) (06h)

The Write Enable (WREN) instruction (Figure 5) sets the Write Enable Latch (WEL) bit in the Status Register to a 1. The WEL bit must be set prior to every Page Program, Sector Erase, Block Erase, Chip Erase, Write Status Register instruction. The Write Enable (WREN) instruction is entered by driving CS# low, shifting the instruction code “06h” into the Data Input (DI) pin on the rising edge of CLK, and then driving CS# high.

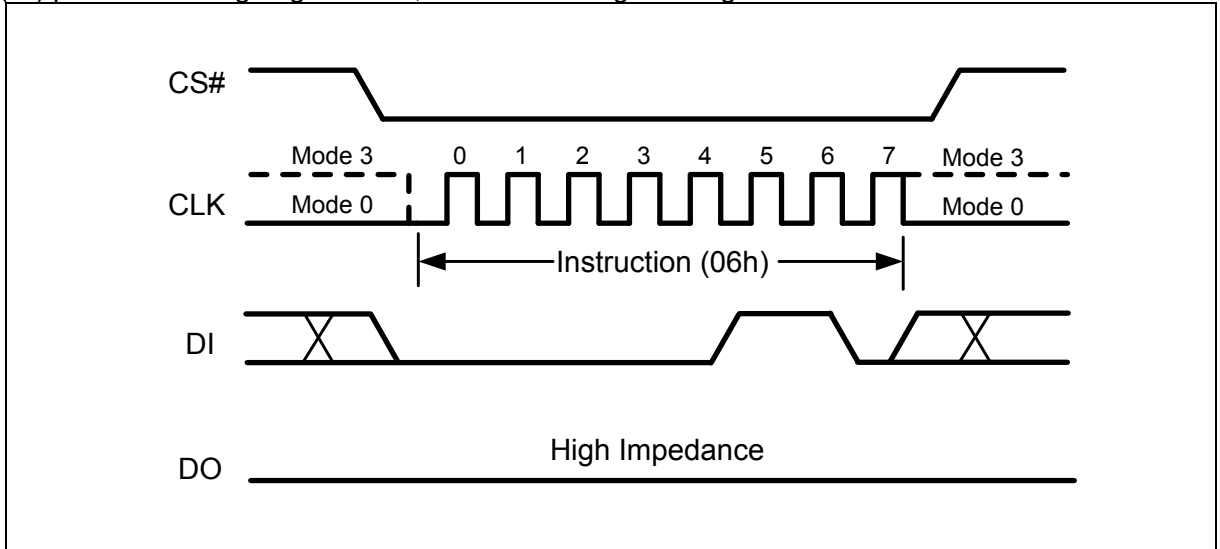


Figure 5 Write Enable Instruction

## 11.5. Write Disable (WRDI) (04h)

The Write Disable (WRDI) instruction (Figure 6) resets the Write Enable Latch (WEL) bit in the Status Register to 0 or exit from OTP mode to normal mode. The Write Disable (WRDI) instruction is entered by driving CS# low, shifting the instruction code “04h” into the DI pin and then driving CS# high. Note that the WEL bit is automatically reset after Power-up and upon completion of the Write Status Register, Page Program, Sector Erase, Block Erase, Chip Erase instructions.

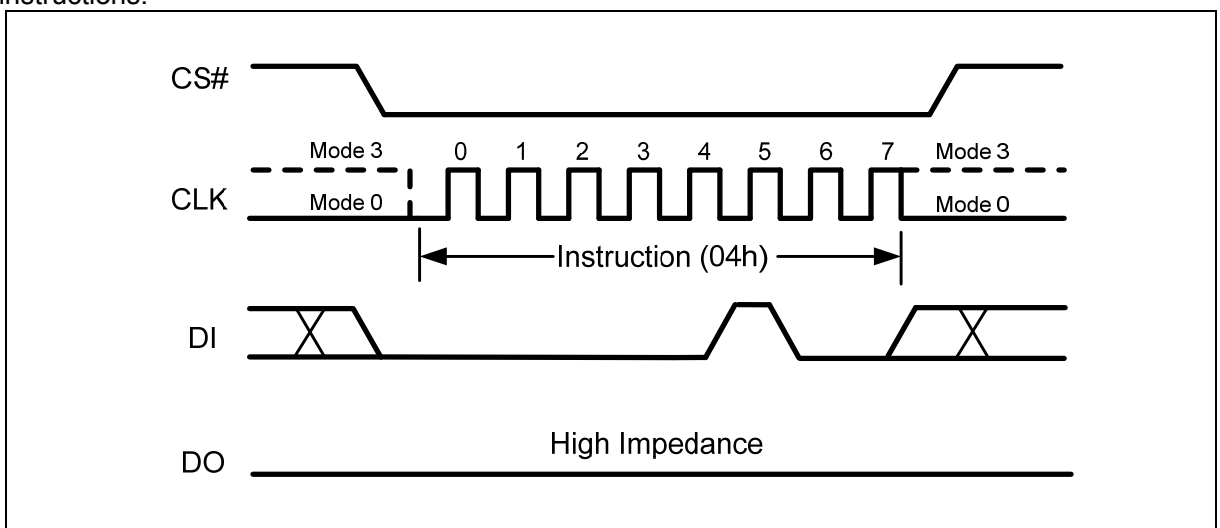


Figure 6 Write Disable Instruction

## 11.6. Read Status Register (RDSR) (05h)

The Read Status Register instructions allow the 8-bit Status Registers to be read. The instruction is entered by driving CS# low and shifting the instruction code “05h” into the DI pin on the rising edge of CLK. The status register bits are then shifted out on the DO pin at the falling edge of CLK with most significant bit (MSB) first as shown in Figure 7. The Status Register bits are shown in Figure 4 and include the WIP, WEL, BP2-BP0 and SRP bits.

The Read Status Register instruction may be used at any time, even while a Program, Erase or Write Status Register cycle is in progress. This allows the WIP status bit to be checked to determine when the cycle is complete and if the device can accept another instruction. The Status Register can be read continuously. The instruction is completed by driving CS# high.

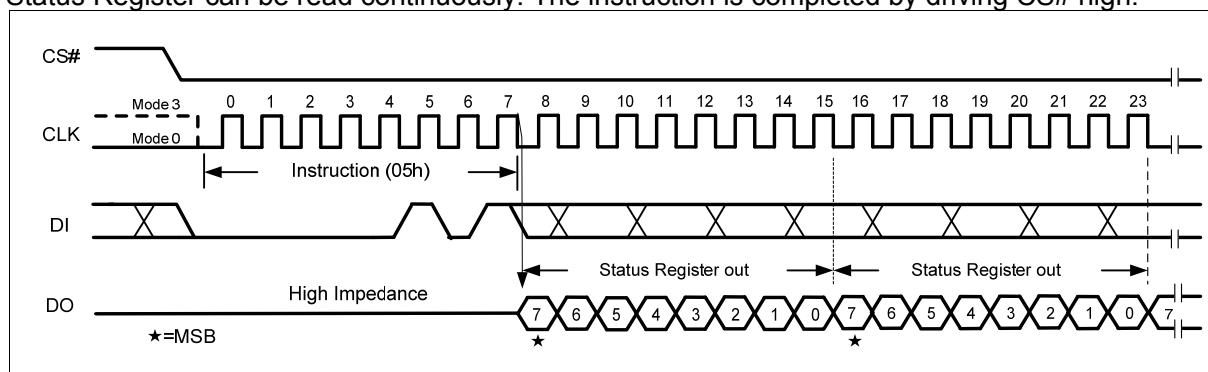


Figure 7 Read Status Register Instruction

## 11.7. Write Status Register (WRSR) (01h)

The Write Status Register (WRSR) instruction allows the Status Register to be written. Only non-volatile Status Register bits SRP, BP2, BP1, BP0 can be written to. All other Status Register bit locations are read-only and will not be affected by the Write Status Register (WRSR) instruction. The Status Register bits are shown in Figure 4.

To write non-volatile Status Register bits, a standard Write Enable (06h) instruction must previously have been executed for the device to accept the Write Status Register (WRSR) instruction (Status Register bit WEL must equal 1). Once write enabled, the instruction is entered by driving CS# low, sending the instruction code “01h”, and then writing the status register data byte as illustrated in Figure 8.

To complete the Write Status Register (WRSR) instruction, the CS# pin must be driven high after the eighth or sixteenth bit of data that is clocked in. If this is not done the Write Status Register (WRSR) instruction will not be executed.

During non-volatile Status Register write operation (06h combined with 01h), after CS# is driven high, the self-timed Write Status Register cycle will commence for a time duration of  $t_w$  (See “12.6 AC Electrical Characteristics”). While the Write Status Register cycle is in progress, the Read Status Register instruction may still be accessed to check the status of the WIP bit. The WIP bit is a 1 during the Write Status Register cycle and a 0 when the cycle is finished and ready to accept other instructions again. After the Write Status Register cycle has finished, the Write Enable Latch (WEL) bit in the Status Register will be cleared to 0.

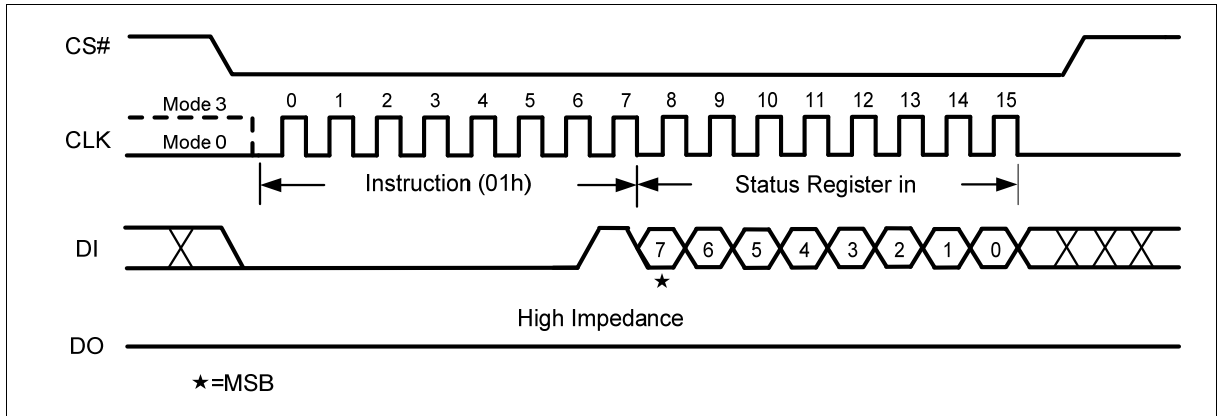


Figure 8 Write Status Register Instruction

### 11.8. Read Data (03h)

The Read Data instruction allows one or more data bytes to be sequentially read from the memory. The instruction is initiated by driving the CS# pin low and then shifting the instruction code “03h” followed by a 24-bit address A23-A0 into the DI pin. The code and address bits are latched on the rising edge of the CLK pin. After the address is received, the data byte of the addressed memory location will be shifted out on the DO pin at the falling edge of CLK with most significant bit (MSB) first. The address is automatically incremented to the next higher address after each byte of data is shifted out allowing for a continuous stream of data. This means that the entire memory can be accessed with a single instruction as long as the clock continues. The instruction is completed by driving CS# high.

The Read Data instruction sequence is shown in Figure 9. If a Read Data instruction is issued while an Erase, Program or Write cycle is in process (WIP =1) the instruction is ignored and will not have any effect on the current cycle. The Read Data instruction allows clock rates from D.C. to a maximum of  $f_R$  (see “12.6 AC Electrical Characteristics”).

The Read Data (03h) instruction is only supported in Standard SPI mode.

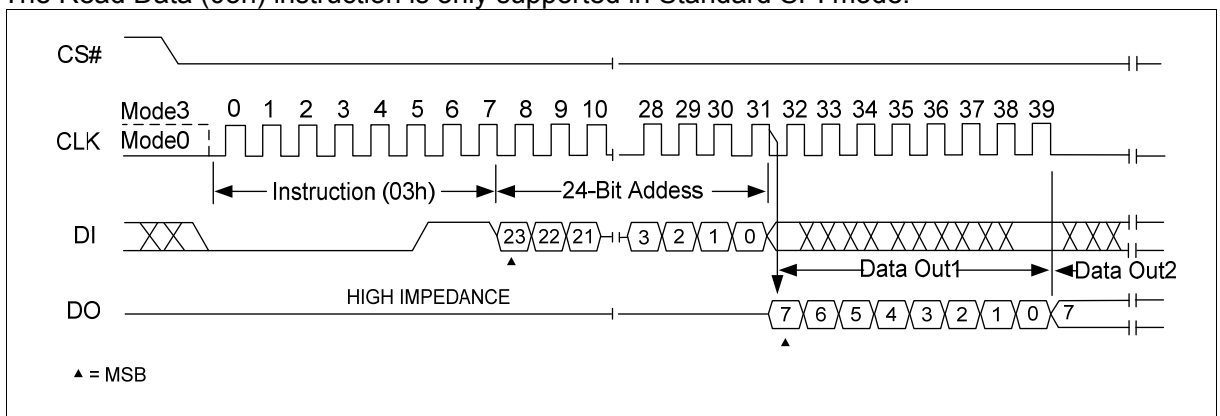


Figure 9 Read Data Instruction

### 11.9. Fast Read (0Bh)

The Fast Read instruction is similar to the Read Data instruction except that it can operate at the highest possible frequency of  $F_R$  (see “12.6 AC Electrical Characteristics”). This is accomplished by adding eight “dummy” clocks after the 24-bit address as shown in Figure 10. The dummy clocks allow the devices internal circuits additional time for setting up the initial address. During the dummy clocks the data value on the DI pin is a “don’t care”.



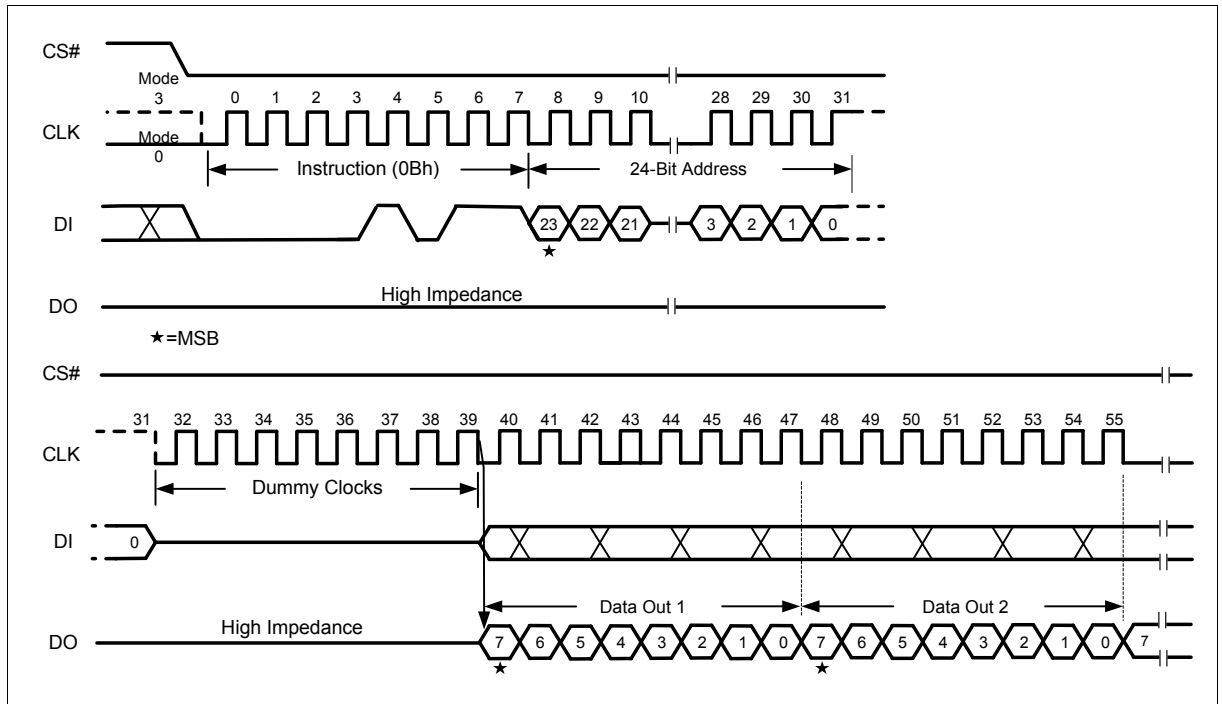


Figure 10 Fast Read Instruction.

## 11.10. Fast Read Dual Output (3Bh)

The Fast Read Dual Output (3Bh) instruction is similar to the standard Fast Read (0Bh) instruction except that data is output on two pins;  $DQ_0$  and  $DQ_1$ . This allows data to be transferred from the FM25F04A at twice the rate of standard SPI devices. The Fast Read Dual Output instruction is ideal for quickly downloading code from Flash to RAM upon power-up or for applications that cache code-segments to RAM for execution.

Similar to the Fast Read instruction, the Fast Read Dual Output instruction can operate at the highest possible frequency of  $F_R$  (see "12.6 AC Electrical Characteristics"). This is accomplished by adding eight "dummy" clocks after the 24-bit address as shown in Figure 11. The dummy clocks allow the device's internal circuits additional time for setting up the initial address. The input data during the dummy clocks is "don't care". However, the  $DQ_0$  pin should be high-impedance prior to the falling edge of the first data out clock.

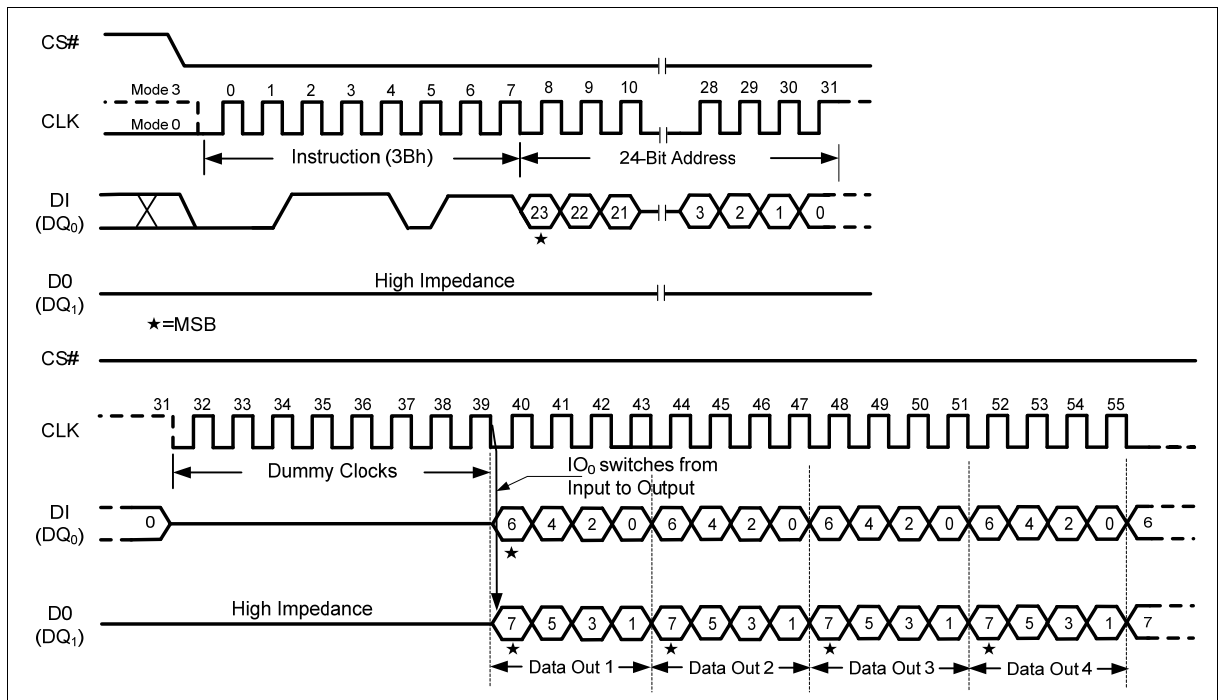


Figure 11 Fast Read Dual Output Instruction

## 11.11. Fast Read Dual I/O (BBh)

The Fast Read Dual I/O (BBh) instruction allows for improved random access while maintaining two I/O pins, DQ<sub>0</sub> and DQ<sub>1</sub>. It is similar to the Fast Read Dual Output (3Bh) instruction but with the capability to input the Address bits A23-A0 two bits per clock. This reduced instruction overhead may allow for code execution (XIP) directly from the Dual SPI in some applications.

### Fast Read Dual I/O with “Continuous Read Mode”

The Fast Read Dual I/O instruction can further reduce instruction overhead through setting the “Continuous Read Mode” bits (M7-0) after the input Address bits A23-A0, as shown in Figure 12. The upper nibble of the (M7-4) controls the length of the next Fast Read Dual I/O instruction through the inclusion or exclusion of the first byte instruction code. The lower nibble bits of the (M3-0) are don't care (“x”). However, the DQ pins should be high-impedance prior to the falling edge of the first data out clock.

If the “Continuous Read Mode” bits M5-4 = (1,0), then the next Fast Read Dual I/O instruction (after CS# is raised and then lowered) does not require the BBh instruction code, as shown in Figure 13. This reduces the instruction sequence by eight clocks and allows the Read address to be immediately entered after CS# is asserted low. If the “Continuous Read Mode” bits M5-4 do not equal to (1,0), the next instruction (after CS# is raised and then lowered) requires the first byte instruction code, thus returning to normal operation. It is recommended to input FFFFh on DQ<sub>0</sub> for the next instruction (16 clocks), to ensure M4 = 1 and return the device to normal operation.

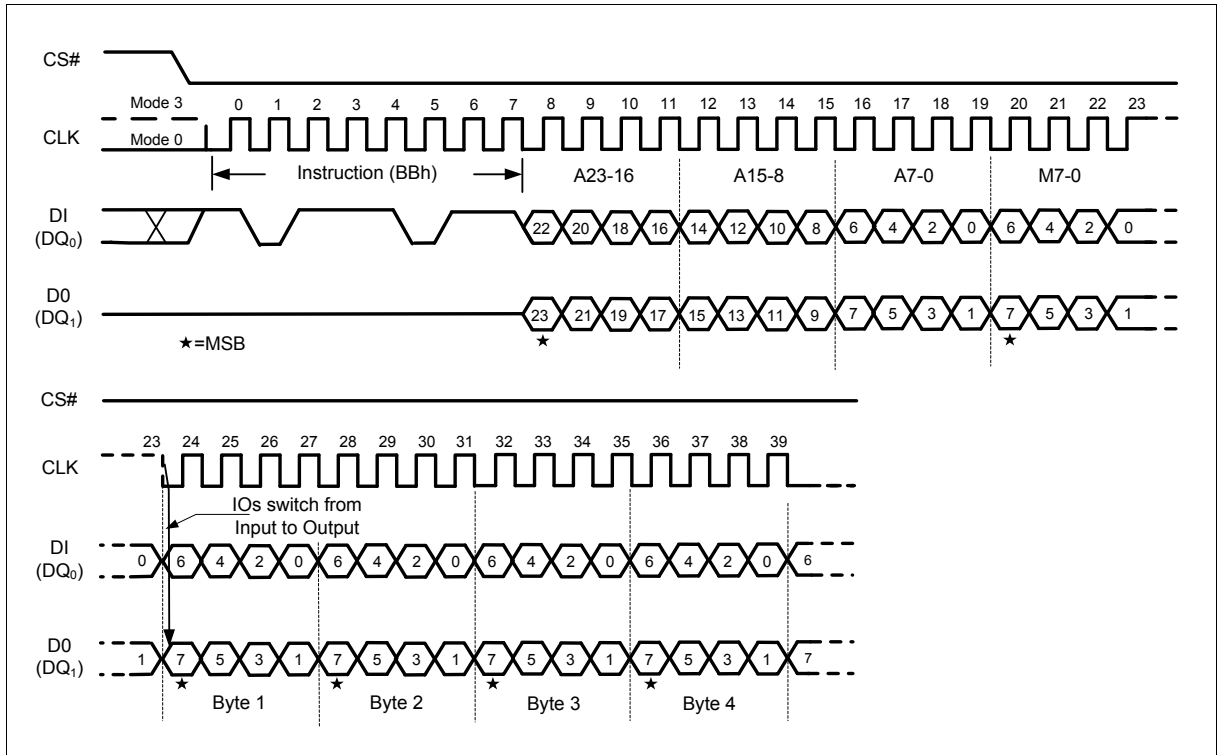


Figure 12 Fast Read Dual I/O Instruction (Initial instruction or previous M5-4 ≠ 10)

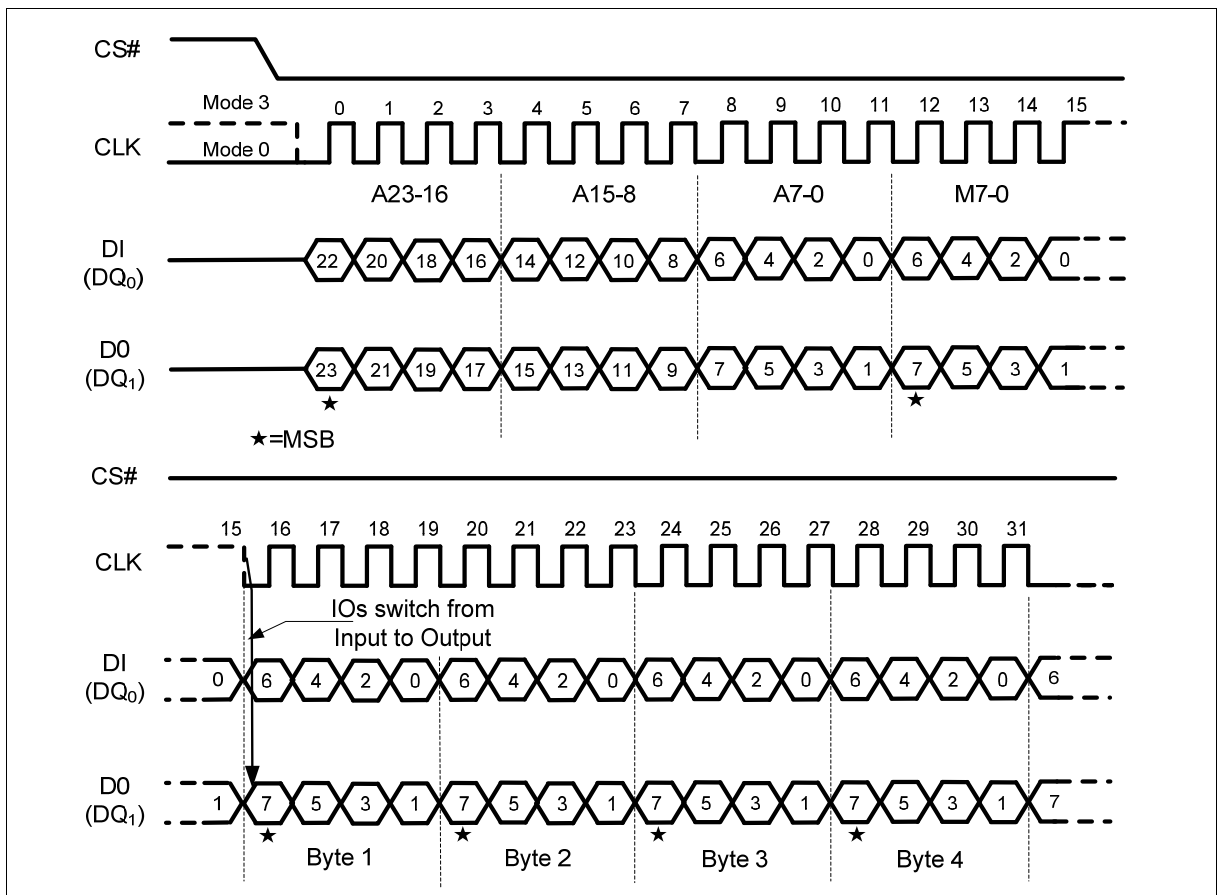


Figure 13 Fast Read Dual I/O Instruction (Previous instruction set M5-4 = 10)

## 11.12. Page Program (02h)

The Page Program instruction allows from one byte to 256 bytes (a page) of data to be programmed at previously erased (FFh) memory locations. A Write Enable instruction must be executed before the device will accept the Page Program Instruction (Status Register bit WEL= 1). The instruction is initiated by driving the CS# pin low then shifting the instruction code “02h” followed by a 24-bit address A23-A0 and at least one data byte, into the DI pin. The CS# pin must be held low for the entire length of the instruction while data is being sent to the device. The Page Program instruction sequence is shown in Figure 14.

If an entire 256 byte page is to be programmed, the last address byte (the 8 least significant address bits) should be set to 0. If the last address byte is not zero, and the number of clocks exceeds the remaining page length, the addressing will increment to the beginning of the next page. To perform a partial page program, the number of clocks can not exceed the remaining page length. If more than 256 bytes are sent to the device the addressing will wrap to the beginning of the page and overwrite previously sent data.

As with the write and erase instructions, the CS# pin must be driven high after the eighth bit of the last byte has been latched. If this is not done the Page Program instruction will not be executed. After CS# is driven high, the self-timed Page Program instruction will commence for a time duration of  $t_{PP}$  (See “12.6 AC Electrical Characteristics”). While the Page Program cycle is in progress, the Read Status Register instruction may still be accessed for checking the status of the WIP bit. The WIP bit is a 1 during the Page Program cycle and becomes a 0 when the cycle is finished and the device is ready to accept other instructions again. After the Page Program cycle has finished the Write Enable Latch (WEL) bit in the Status Register is cleared to 0. The Page Program instruction will not be executed if the addressed page is protected by the Block Protect (BP2, BP1, and BP0) bits.

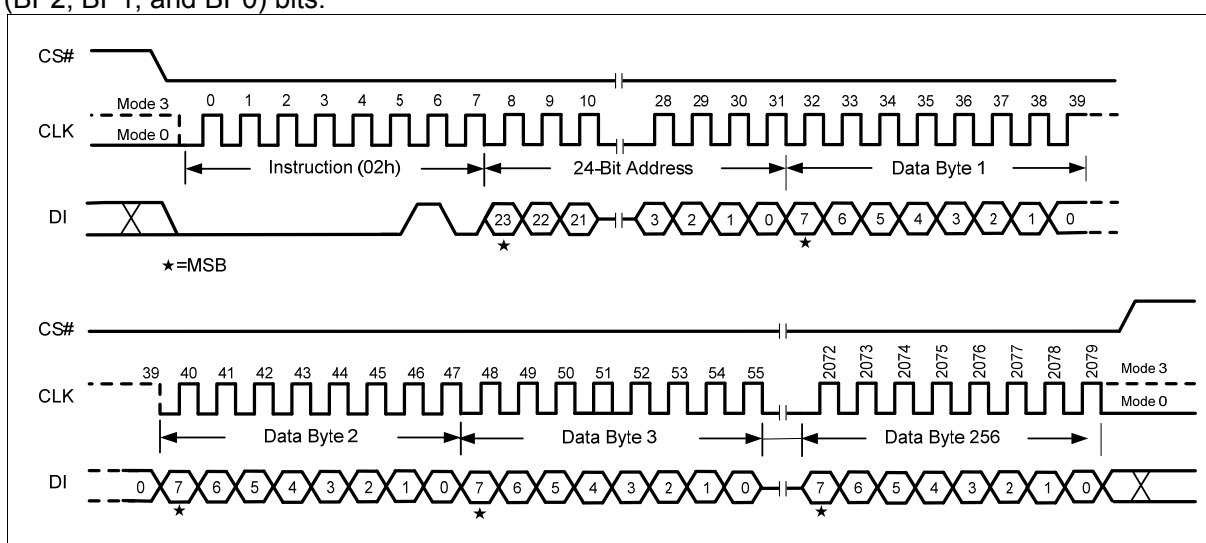


Figure 14 Page Program Instruction

## 11.13. Sector Erase (20h)

The Sector Erase instruction sets all memory within a specified sector (4K-bytes) to the erased state of all 1s (FFh). A Write Enable instruction must be executed before the device will accept the Sector Erase Instruction (Status Register bit WEL must equal 1). The instruction is initiated by driving the CS# pin low and shifting the instruction code “20h” followed a 24-bit sector address A23-A0 (see Figure 1). The Sector Erase instruction sequence is shown in Figure 15.

The CS# pin must be driven high after the eighth bit of the last byte has been latched. If this is not

done the Sector Erase instruction will not be executed. After CS# is driven high, the self-timed Sector Erase instruction will commence for a time duration of  $t_{SE}$  (See “12.6 AC Electrical Characteristics”). While the Sector Erase cycle is in progress, the Read Status Register instruction may still be accessed for checking the status of the WIP bit. The WIP bit is a 1 during the Sector Erase cycle and becomes a 0 when the cycle is finished and the device is ready to accept other instructions again. After the Sector Erase cycle has finished the Write Enable Latch (WEL) bit in the Status Register is cleared to 0. The Sector Erase instruction will not be executed if the addressed page is protected by the Block Protect (BP2, BP1, and BP0) bits (see Table 2 Status Register Memory Protection table).

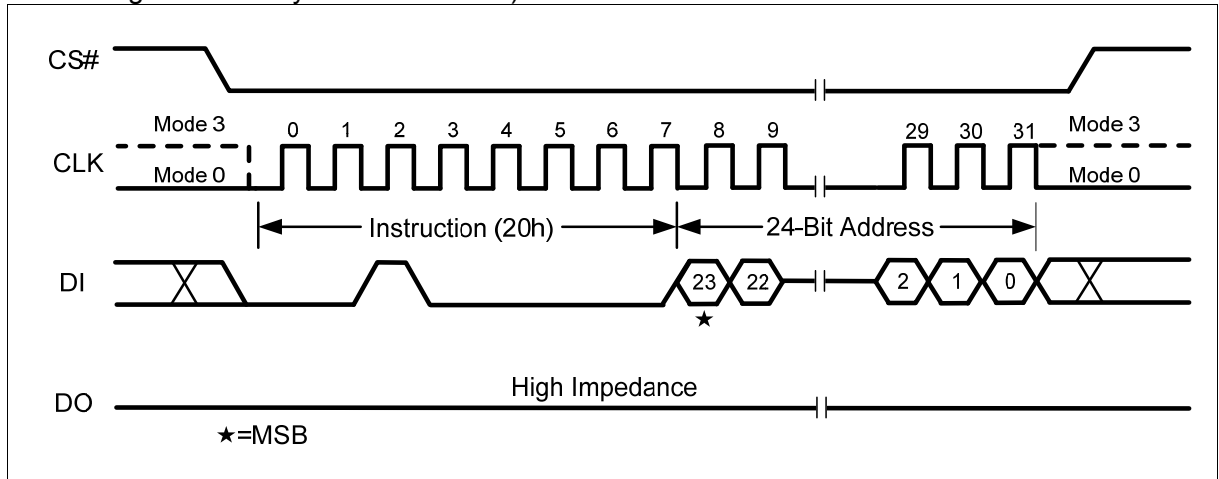


Figure 15 Sector Erase Instruction

## 11.14. 32KB Block Erase (BE32) (52h)

The 32KB Block Erase instruction sets all memory within a specified block (32K-bytes) to the erased state of all 1s (FFh). A Write Enable instruction must be executed before the device will accept the Block Erase Instruction (Status Register bit WEL must equal 1). The instruction is initiated by driving the CS# pin low and shifting the instruction code “52h” followed a 24-bit block address A23-A0. The Block Erase instruction sequence is shown in Figure 16.

The CS# pin must be driven high after the eighth bit of the last byte has been latched. If this is not done the Block Erase instruction will not be executed. After CS# is driven high, the self-timed Block Erase instruction will commence for a time duration of  $t_{BE2}$  (See 12.6 AC Electrical Characteristics”). While the Block Erase cycle is in progress, the Read Status Register instruction may still be accessed for checking the status of the WIP bit. The WIP bit is a 1 during the Block Erase cycle and becomes a 0 when the cycle is finished and the device is ready to accept other instructions again. After the Block Erase cycle has finished the Write Enable Latch (WEL) bit in the Status Register is cleared to 0. The Block Erase instruction will not be executed if the addressed page is protected by the Block Protect (BP2, BP1, and BP0) bits (see Table 2 Status Register Memory Protection table).

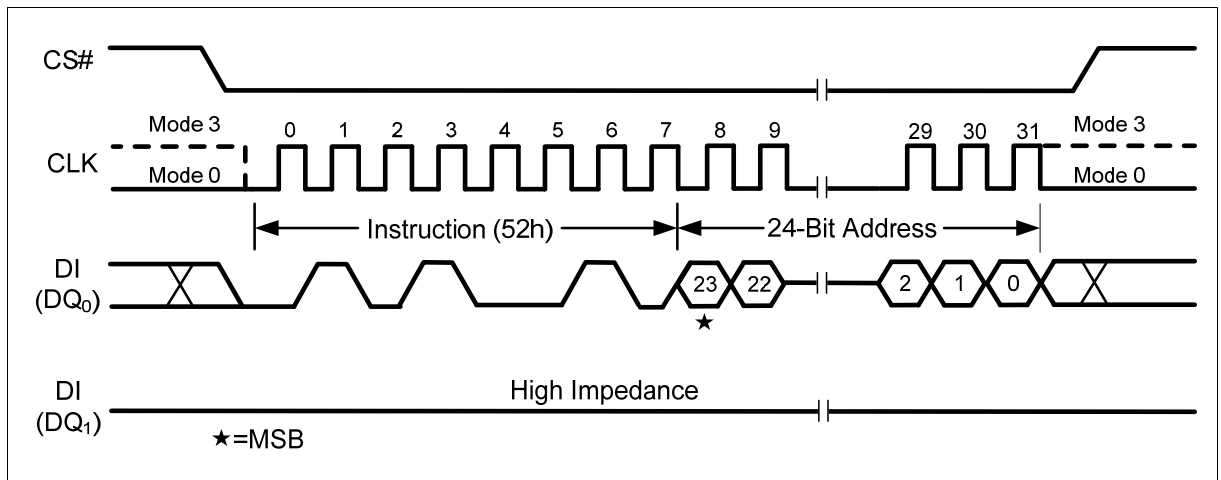


Figure 16 32KB Block Erase Instruction (SPI Mode)

### 11.15. 64KB Block Erase (BE) (D8h)

The 64KB Block Erase instruction sets all memory within a specified block (64K-bytes) to the erased state of all 1s (FFh). A Write Enable instruction must be executed before the device will accept the Block Erase Instruction (Status Register bit WEL must equal 1). The instruction is initiated by driving the CS# pin low and shifting the instruction code “D8h” followed a 24-bit block address A23-A0. The Block Erase instruction sequence is shown in Figure 17.

The CS# pin must be driven high after the eighth bit of the last byte has been latched. If this is not done the Block Erase instruction will not be executed. After CS# is driven high, the self-timed Block Erase instruction will commence for a time duration of  $t_{BE1}$  (See 12.6 AC Electrical Characteristics”). While the Block Erase cycle is in progress, the Read Status Register instruction may still be accessed for checking the status of the WIP bit. The WIP bit is a 1 during the Block Erase cycle and becomes a 0 when the cycle is finished and the device is ready to accept other instructions again. After the Block Erase cycle has finished the Write Enable Latch (WEL) bit in the Status Register is cleared to 0. The Block Erase instruction will not be executed if the addressed page is protected by the Block Protect (BP2, BP1, and BP0) bits (see Table 2 Status Register Memory Protection table).

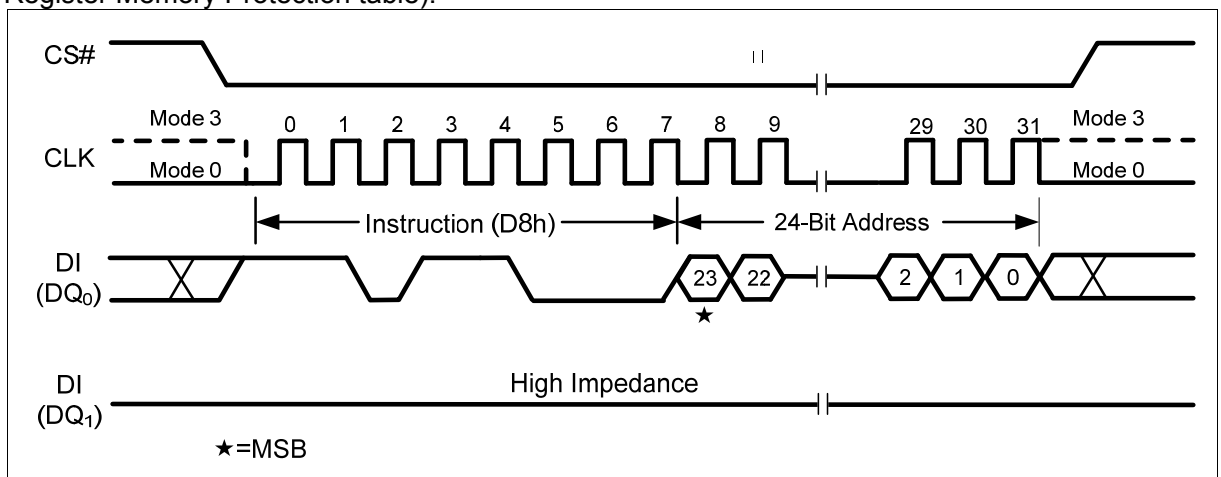


Figure 17 Block Erase Instruction

### 11.16. Chip Erase (CE) (C7h / 60h)

The Chip Erase instruction sets all memory within the device to the erased state of all 1s (FFh). A

Write Enable instruction must be executed before the device will accept the Chip Erase Instruction (Status Register bit WEL must equal 1). The instruction is initiated by driving the CS# pin low and shifting the instruction code "C7h" or "60h". The Chip Erase instruction sequence is shown in Figure 18

The CS# pin must be driven high after the eighth bit has been latched. If this is not done the Chip Erase instruction will not be executed. After CS# is driven high, the self-timed Chip Erase instruction will commence for a time duration of  $t_{CE}$  (See "12.6 AC Electrical Characteristics"). While the Chip Erase cycle is in progress, the Read Status Register instruction may still be accessed to check the status of the WIP bit. The WIP bit is a 1 during the Chip Erase cycle and becomes a 0 when finished and the device is ready to accept other instructions again. After the Chip Erase cycle has finished the Write Enable Latch (WEL) bit in the Status Register is cleared to 0. The Chip Erase instruction will not be executed if any page is protected by the Block Protect (BP2, BP1, and BP0) bits.

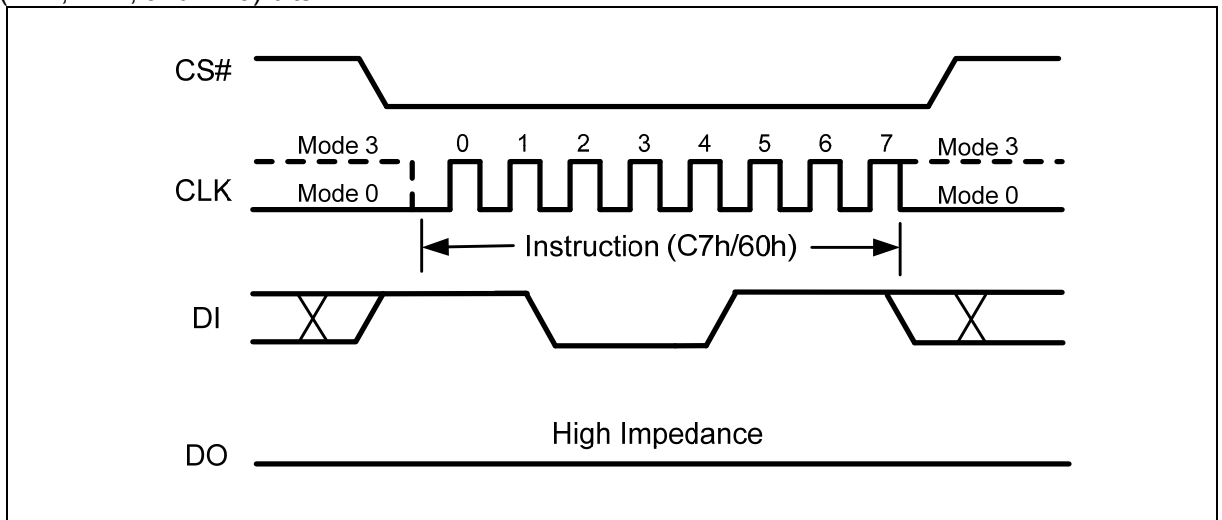


Figure 18 Chip Erase Instruction

## 11.17. Power-down (B9h)

Although the standby current during normal operation is relatively low, standby current can be further reduced with the Power-down instruction. The lower power consumption makes the Power-down instruction especially useful for battery powered applications (See  $I_{CC1}$  and  $I_{CC2}$  in “12.4. DC Electrical Characteristics”). The instruction is initiated by driving the CS# pin low and shifting the instruction code “B9h” as shown in Figure 19.

The CS# pin must be driven high after the eighth bit has been latched. If this is not done the Power-down instruction will not be executed. After CS# is driven high, the power-down state will enter within the time duration of  $t_{DP}$  (See “12.6 AC Electrical Characteristics”). While in the power-down state only the Release from Power-down / Device ID instruction, which restores the device to normal operation, will be recognized. All other instructions are ignored. This includes the Read Status Register instruction, which is always available during normal operation. Ignoring all but one instruction makes the Power Down state a useful condition for securing maximum write protection. The device always powers-up in the normal operation with the standby current of  $I_{CC1}$ .

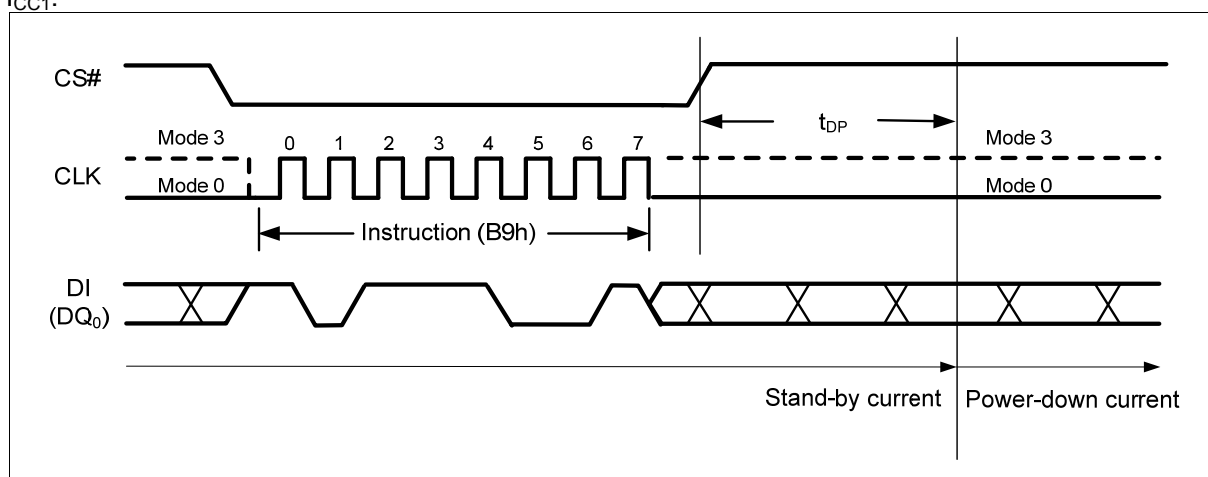


Figure 19 Deep Power-down Instruction

## 11.18. Release Power-down / Device ID (ABh)

The Release from Power-down / Device ID instruction is a multi-purpose instruction. It can be used to release the device from the power-down state, or obtain the device's electronic identification (ID) number.

To release the device from the power-down state, the instruction is issued by driving the CS# pin low, shifting the instruction code “ABh” and driving CS# high as shown in Figure 20. Release from power-down will take the time duration of  $t_{RES1}$  (See “12.6 AC Electrical Characteristics”) before the device will resume normal operation and other instructions are accepted. The CS# pin must remain high during the  $t_{RES1}$  time duration.

When used only to obtain the Device ID while not in the power-down state, the instruction is initiated by driving the CS# pin low and shifting the instruction code “ABh” followed by 3-dummy bytes. The Device ID bits are then shifted out on the falling edge of CLK with most significant bit (MSB) first as shown in Figure 21. The Device ID value for the FM25F04A is listed in Table 3. Manufacturer and Device Identification table. The Device ID can be read continuously. The instruction is completed by driving CS# high.

When used to release the device from the power-down state and obtain the Device ID, the instruction is the same as previously described, and shown in Figure 21, except that after CS# is



driven high it must remain high for a time duration of  $t_{RES2}$  (See “12.6 AC Electrical Characteristics”). After this time duration the device will resume normal operation and other instructions will be accepted. If the Release from Power-down / Device ID instruction is issued while an Erase, Program or Write cycle is in process (when WIP equals 1) the instruction is ignored and will not have any effect on the current cycle.

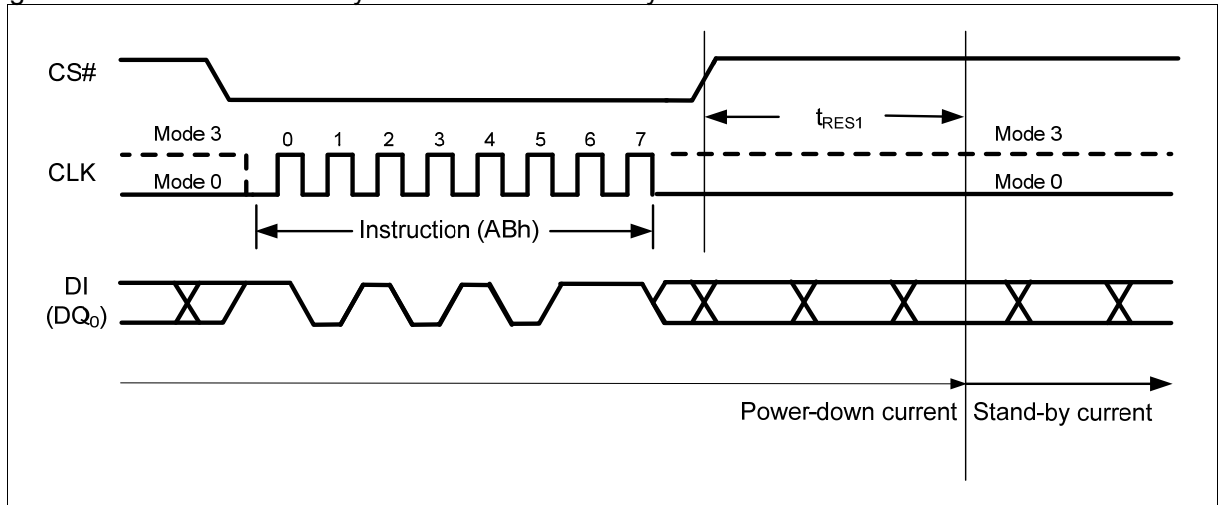


Figure 20 Release Power-down Instruction

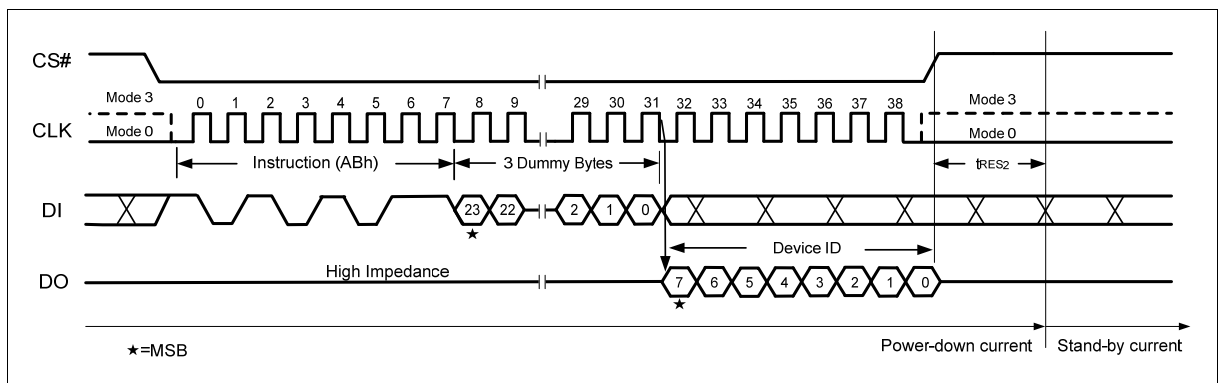


Figure 21 Release Power-down / Device ID Instruction

## 11.19. Read Manufacturer / Device ID (90h)

The Read Manufacturer/Device ID instruction is an alternative to the Release from Power-down / Device ID instruction that provides both the JEDEC assigned manufacturer ID and the specific device ID.

The Read Manufacturer/Device ID instruction is very similar to the Release from Power-down / Device ID instruction. The instruction is initiated by driving the CS# pin low and shifting the instruction code “90h” followed by a 24-bit address A23-A0 of 000000h. After which, the Manufacturer ID for Shanghai Fudan Microelectronics Group Co., Ltd (A1h) and the Device ID are shifted out on the falling edge of CLK with most significant bit (MSB) first as shown in Figure 22. The Device ID value for the FM25F04A is listed in Table 3 Manufacturer and Device Identification table. If the 24-bit address is initially set to 000001h the Device ID will be read first and then followed by the Manufacturer ID. The Manufacturer and Device IDs can be read continuously, alternating from one to the other. The instruction is completed by driving CS# high.

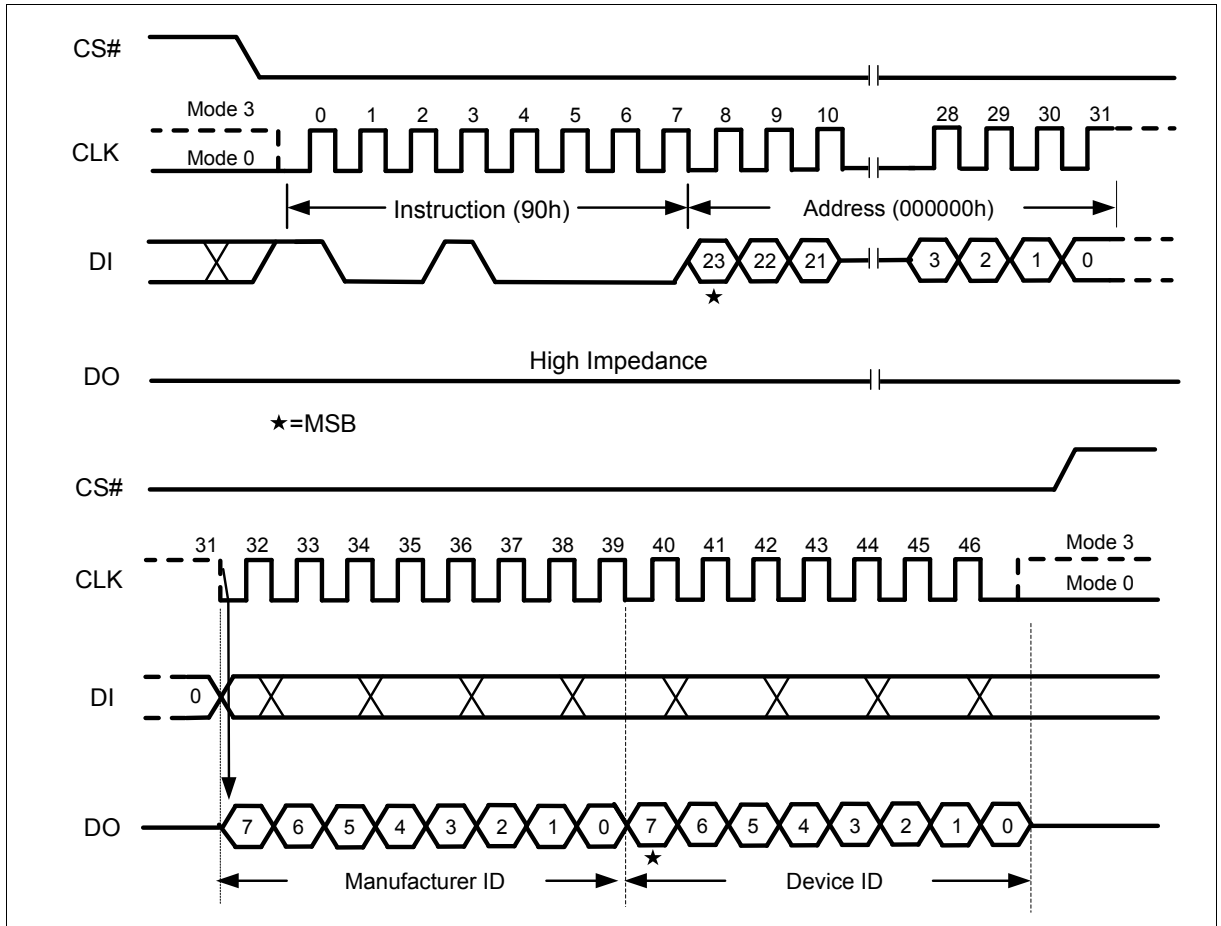


Figure 22 Read Manufacturer / Device ID Instruction

## 11.20. Read Unique ID Number(4Bh)

The Read Unique ID Number instruction accesses a factory-set read-only 64-bit number that is unique to each FM25F04A device. The ID number can be used in conjunction with user software methods to help prevent copying or cloning of a system. The Read Unique ID instruction is initiated by driving the CS# pin low and shifting the instruction code “4Bh” followed by a four bytes of dummy clocks. After which, the 64-bit ID is shifted out on the falling edge of CLK as shown in Figure 23.

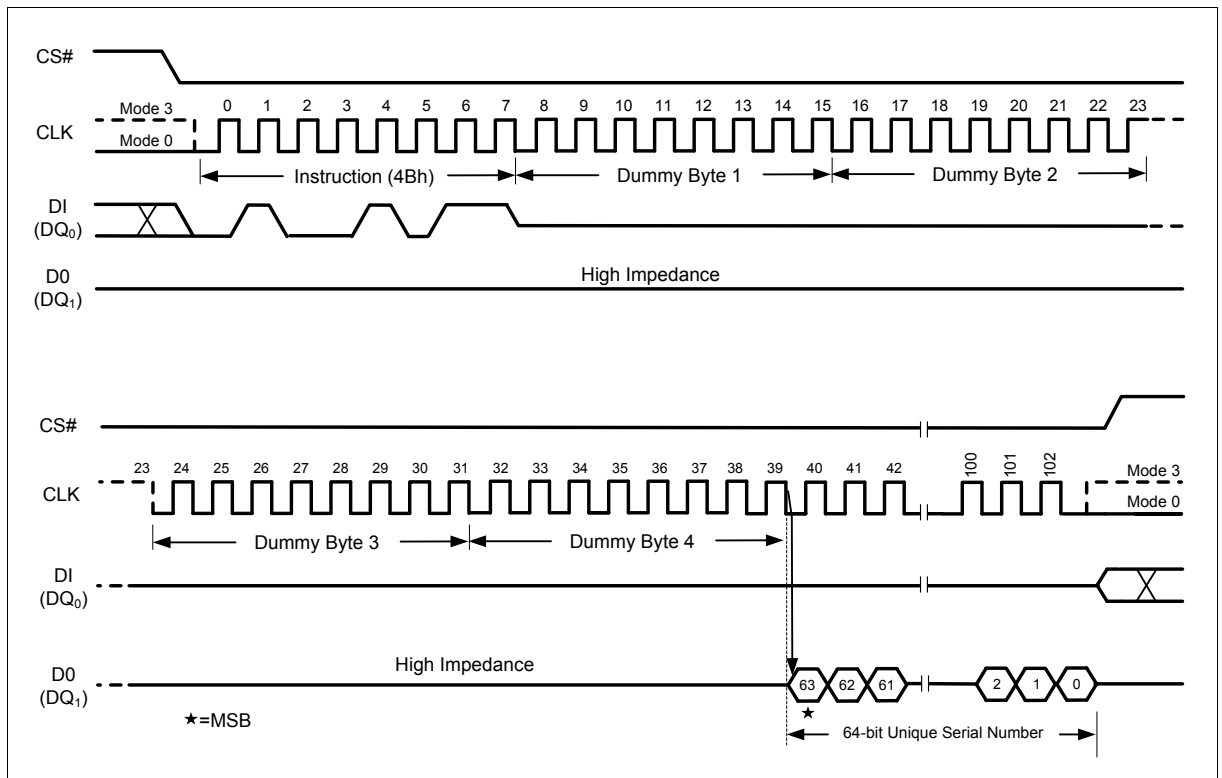


Figure 23 Read Unique ID Number Instruction (SPI Mode only)

## 11.21. Read JEDEC ID (9Fh)

For compatibility reasons, the FM25F04A provides several instructions to electronically determine the identity of the device. The Read JEDEC ID instruction is compatible with the JEDEC standard for SPI compatible serial memories. The instruction is initiated by driving the CS# pin low and shifting the instruction code "9Fh". The JEDEC assigned Manufacturer ID byte for Shanghai Fudan Microelectronics Group Co., Ltd (A1h) and two Device ID bytes, Memory Type (ID15-ID8) and Capacity ID7-ID0 are then shifted out on the falling edge of CLK with most significant bit (MSB) first as shown in Figure 24. For memory type and capacity values refer to Table 3 Manufacturer and Device Identification table.

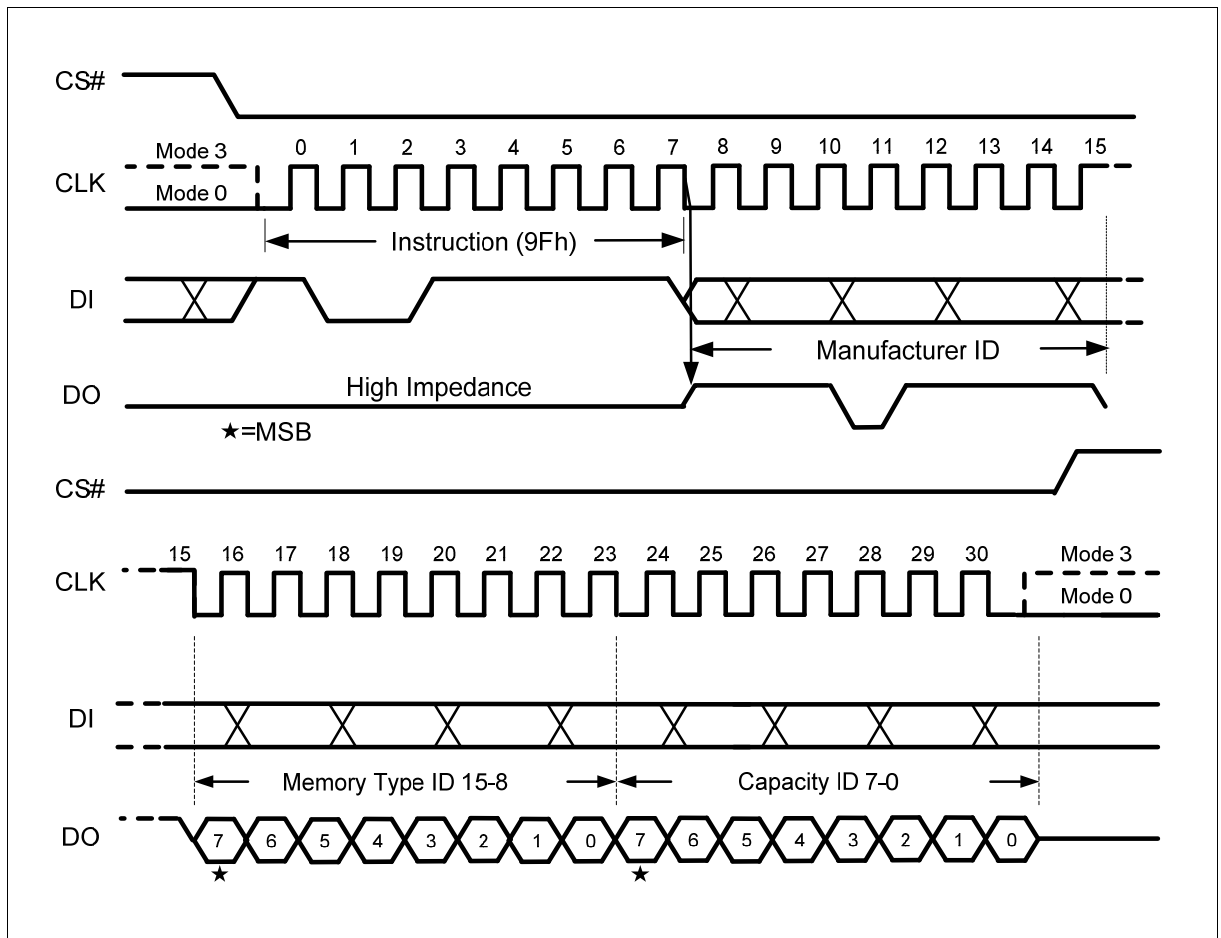


Figure 24 Read JEDEC ID Instruction

## 11.22. Enter OTP Mode (3Ah)

This Flash has an extra 256 bytes security sector, user must issue ENTER OTP MODE command to read, program or erase security sector. After entering OTP mode, the security sector is mapping to sector 127, SRP bit becomes LB and can be read with RDSR command. Program / Erase command will be disabled when LB is '1'

WRSR command will ignore the input data and program LB to 1. User must clear the protect bits before enter OTP mode.

Security sector can only be program and erase when LB equal '0' and BP[2:0] = '000'. In OTP mode, user can read other sectors, but program/erase other sectors only allowed when LB equal '0'.

User can use WRDI (04h) command to exit OTP mode.

Table 5 Security Sector Address

Sector	Sector Size	Address Range
127	256 byte	07F000h – 07F0FFh

Note: The Security sector is mapping to sector 127

While in OTP mode, user can use Sector Erase (20h) command only to erase OTP data.

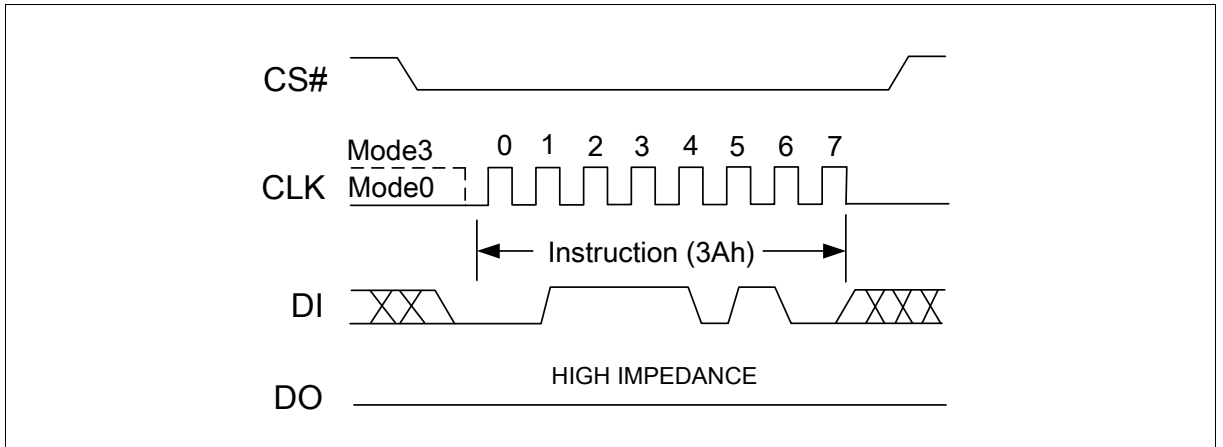


Figure 25 Enter OTP mode

## 12. Electrical Characteristics

### 12.1. Absolute Maximum Ratings

Operating Temperature	-40°C to +85°C
Storage Temperature	-65°C to +150°C
Voltage on I/O Pin with Respect to Ground	-0.5V to $V_{CC}+0.4V$
$V_{CC}$	-0.5V to 4.0V

\*NOTICE: Stresses beyond those listed under “Absolute Maximum Ratings” may cause permanent damage to the device. This is a stress rating only and functional operation of the device at these or any other conditions beyond those indicated in the operational sections of this specification are not implied. Exposure to absolute maximum rating conditions for extended periods may affect device reliability.

### 12.2. Pin Capacitance

PARAMETER	SYMBOL	CONDITIONS	Max	Units
Input Capacitance	$C_{IN}^{(1)}$	$V_{IN} = 0V, f = 5\text{ MHz}$	6	pF
Output Capacitance	$C_{OUT}^{(1)}$	$V_{OUT} = 0V, f = 5\text{ MHz}$	8	pF

**Note:** 1. This parameter is characterized and is not 100% tested.

### 12.3. Power-up Timing

Applicable over recommended operating range from:  $T_A = -40^\circ\text{C}$  to  $85^\circ\text{C}$ ,  $V_{CC} = 2.3V$  to  $3.6V$ , (unless otherwise noted).

PARAMETER	SYMBOL	SPEC		UNIT
		MIN	MAX	
VCC (min) to CS# Low	$t_{VSL}$	10		$\mu\text{s}$
Time Delay Before Write Instruction	$t_{PUW}$	1	10	ms

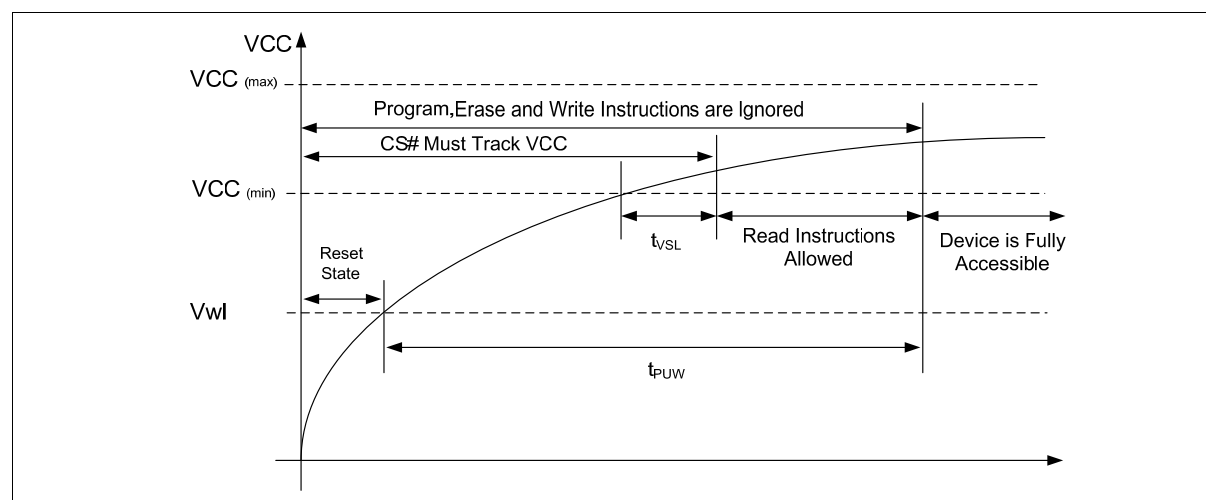


Figure 26 Power-up Timing

## 12.4. DC Electrical Characteristics

**Table 6 DC Characteristics**

Applicable over recommended operating range from:  $T_A = -40^{\circ}\text{C}$  to  $85^{\circ}\text{C}$ ,  $V_{CC} = 2.3\text{V}$  to  $3.6\text{V}$ , (unless otherwise noted).

SYMBOL	PARAMETER	CONDITIONS	SPEC			UNIT
			MIN	TYP	MAX	
$V_{CC}$	Supply Voltage		2.3		3.6	V
$I_{LI}$	Input Leakage Current				$\pm 2$	$\mu\text{A}$
$I_{LO}$	Output Leakage Current				$\pm 2$	$\mu\text{A}$
$I_{CC1}$	Standby Current	$V_{CC}=3.6\text{V}$ , $CS\# = V_{CC}$ , $V_{IN} = V_{SS}$ or $V_{CC}$		1	5	$\mu\text{A}$
$I_{CC2}$	Deep Power-down Current	$V_{CC}=3.6\text{V}$ , $CS\# = V_{CC}$ , $V_{IN} = V_{SS}$ or $V_{CC}$		1	5	$\mu\text{A}$
$I_{CC3}$	Operating Current (READ)	$V_{CC}=3.6\text{V}$ , $CLK=0.1V_{CC}/0.9V_{CC}$ , at 100MHz, DO open			25	mA
$I_{CC4}$	Operating Current (WRSR))	$V_{CC}=3.6\text{V}$ , $CS\#=V_{CC}$		8	12	mA
$I_{CC5}$	Operating Current (PP)	$V_{CC}=3.6\text{V}$ , $CS\#=V_{CC}$		20	25	mA
$I_{CC6}$	Operating Current (SE)	$V_{CC}=3.6\text{V}$ , $CS\#=V_{CC}$		20	25	mA
$I_{CC7}$	Operating Current (BE)	$V_{CC}=3.6\text{V}$ , $CS\#=V_{CC}$		20	25	mA
$V_{IL}^{(1)}$	Input Low Voltage		-0.5		$0.2V_{CC}$	V
$V_{IH}^{(1)}$	Input High Voltage		$0.7V_{CC}$		$V_{CC}+0.4$	V
$V_{OL}$	Output Low Voltage	$I_{OL} = 1.6\text{ mA}$			0.4	V
$V_{OH}$	Output High Voltage	$I_{OH} = -100\ \mu\text{A}$	$V_{CC}-0.2$			V
$V_{WI}$	Write Inhibit Threshold Voltage		1.0		2.2	V

**Notes:**

- $V_{IL}$  min and  $V_{IH}$  max are reference only and are not tested.

## 12.5. AC Measurement Conditions

Table 7 AC Measurement Conditions

SYMBOL	PARAMETER	SPEC		UNIT
		MIN	MAX	
CL	Load Capacitance		20	pF
TR, TF	Input Rise and Fall Times		5	ns
VIN	Input Pulse Voltages	0.2 V <sub>CC</sub> to 0.8 V <sub>CC</sub>		V
IN	Input Timing Reference Voltages	0.3 V <sub>CC</sub> to 0.7 V <sub>CC</sub>		V
OUT	Output Timing Reference Voltages	0.5V <sub>CC</sub>		V

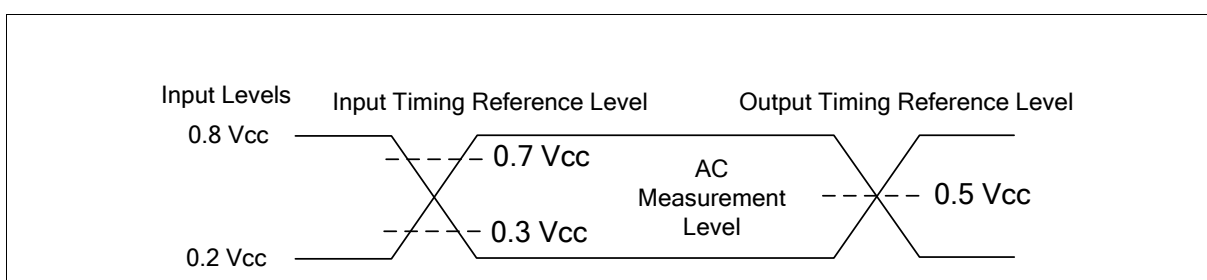


Figure 27 AC Measurement I/O Waveform

## 12.6. AC Electrical Characteristics

Table 8 AC Characteristics

Applicable over recommended operating range from: T<sub>A</sub> = -40°C to 85°C, V<sub>CC</sub> = 2.7V to 3.6V, (unless otherwise noted).

SYMBOL	PARAMETER	SPEC			UNIT
		MIN	TYP	MAX	
F <sub>R</sub>	Serial Clock Frequency for: FAST_READ, PP, SE, BE, DP, RES, WREN, WRDI, WRSR			100	MHz
f <sub>R</sub>	Serial Clock Frequency for READ, RDSR, RDID			66	MHz
t <sub>CH</sub> <sup>(1)</sup>	Serial Clock High Time	4			ns
t <sub>CL</sub> <sup>(1)</sup>	Serial Clock Low Time	4			ns
t <sub>CLCH</sub> <sup>(2)</sup>	Serial Clock Rise Time (Slew Rate)	0.1			V/ns
t <sub>CHCL</sub> <sup>(2)</sup>	Serial Clock Fall Time (Slew Rate)	0.1			V/ns
t <sub>SLCH</sub>	CS# Active Setup Time	5			ns
t <sub>CHSH</sub>	CS# Active Hold Time	5			ns
t <sub>SHCH</sub>	CS# Not Active Setup Time	5			ns
t <sub>CHSL</sub>	CS# Not Active Hold Time	5			ns
t <sub>SHSL</sub>	CS# High Time (for Array Read → Array Read)	100			ns
t <sub>SHQZ</sub> <sup>(2)</sup>	Output Disable Time			6	ns
t <sub>CLQX</sub>	Output Hold Time	0			ns
t <sub>DVCH</sub>	Data In Setup Time	2			ns
t <sub>CHDX</sub>	Data In Hold Time	5			ns
t <sub>HLCH</sub>	HOLD# Low Setup Time ( relative to CLK )	5			ns
t <sub>HHCH</sub>	HOLD# High Setup Time ( relative to CLK )	5			ns



SYMBOL	PARAMETER	SPEC			UNIT
		MIN	TYP	MAX	
$t_{CHHH}$	HOLD# Low Hold Time ( relative to CLK )	5			ns
$t_{CHHL}$	HOLD# High Hold Time ( relative to CLK )	5			ns
$t_{HLQZ}^{(2)}$	HOLD# Low to High-Z Output			6	ns
$t_{HHQX}^{(2)}$	HOLD# High to Low-Z Output			6	ns
$t_{CLQV}$	Output Valid from CLK			8	ns
$t_{WHSL}$	Write Protect Setup Time before CS# Low	20			ns
$t_{SHWL}$	Write Protect Hold Time after CS# High	100			ns
$t_{DP}^{(2)}$	CS# High to Deep Power-down Mode			3	$\mu$ s
$t_{RES1}^{(2)}$	CS# High to Standby Mode without Electronic Signature Read			3	$\mu$ s
$t_{RES2}^{(2)}$	CS# High to Standby Mode with Electronic Signature Read			1.8	$\mu$ s
$t_W$	Write Status Register Cycle Time		10	15	ms
$t_{PP}$	Page Programming Time		1.5	5	ms
$t_{SE}$	Sector Erase Time		0.09	0.3	s
$t_{BE1}$	Block Erase Time (64KB)		0.5	2	s
$t_{BE2}$	Block Erase Time (32KB)		0.3	1.2	s
$t_{CE}$	Chip Erase Time		3.5	10	s

**Notes:**

- $t_{CH} + t_{CL} \geq 1 / f_R$  or  $1 / f_R$  ;
- This parameter is characterized and is not 100% tested.

Applicable over recommended operating range from:  $T_A = -40^{\circ}\text{C}$  to  $85^{\circ}\text{C}$ ,  $V_{CC} = 2.3\text{V}$  to  $2.7\text{V}$ , (unless otherwise noted).

SYMBOL	PARAMETER	SPEC			UNIT
		MIN	TYP	MAX	
$f_R$	Serial Clock Frequency for: FAST_READ, PP, SE, BE, DP, RES, WREN, WRDI, WRSR			80	MHz
$f_R$	Serial Clock Frequency for READ, RDSR, RDID			33	MHz
$t_{PP}$	Page Programming Time		10	25	ms
$t_{SE}$	Sector Erase Time		0.2	0.8	s
$t_{BE1}$	Block Erase Time (64KB)		2	4	s
$t_{BE2}$	Block Erase Time (32KB)		1.5	3	s
$t_{CE}$	Chip Erase Time		12	24	s

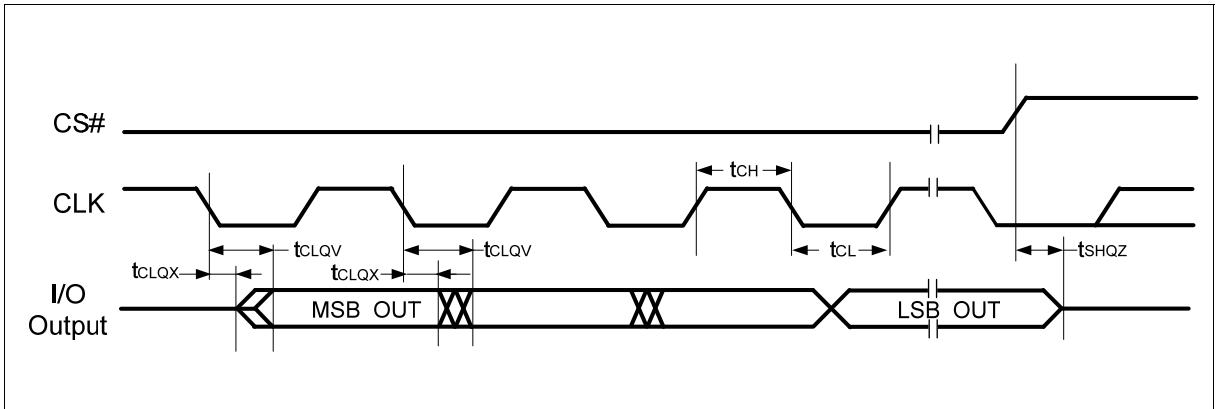


Figure 28 Serial Output Timing

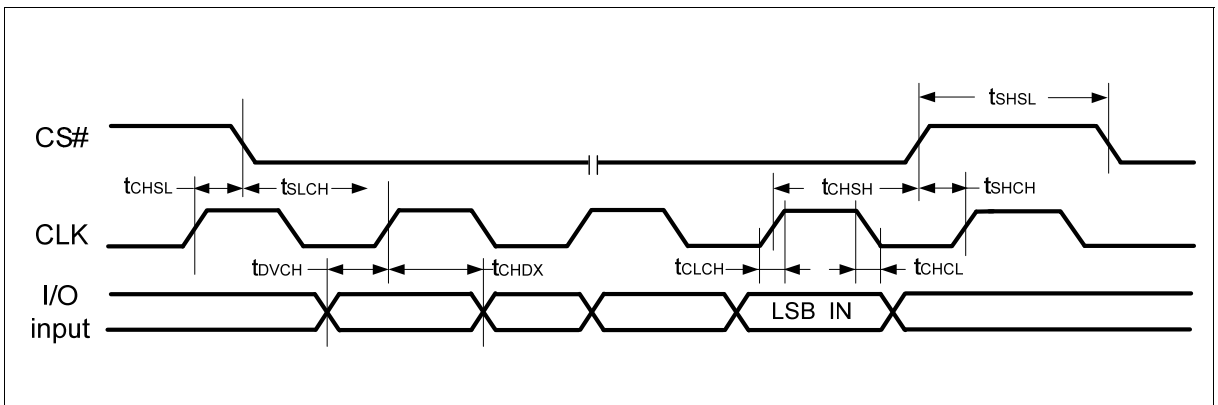


Figure 29 Serial Input Timing

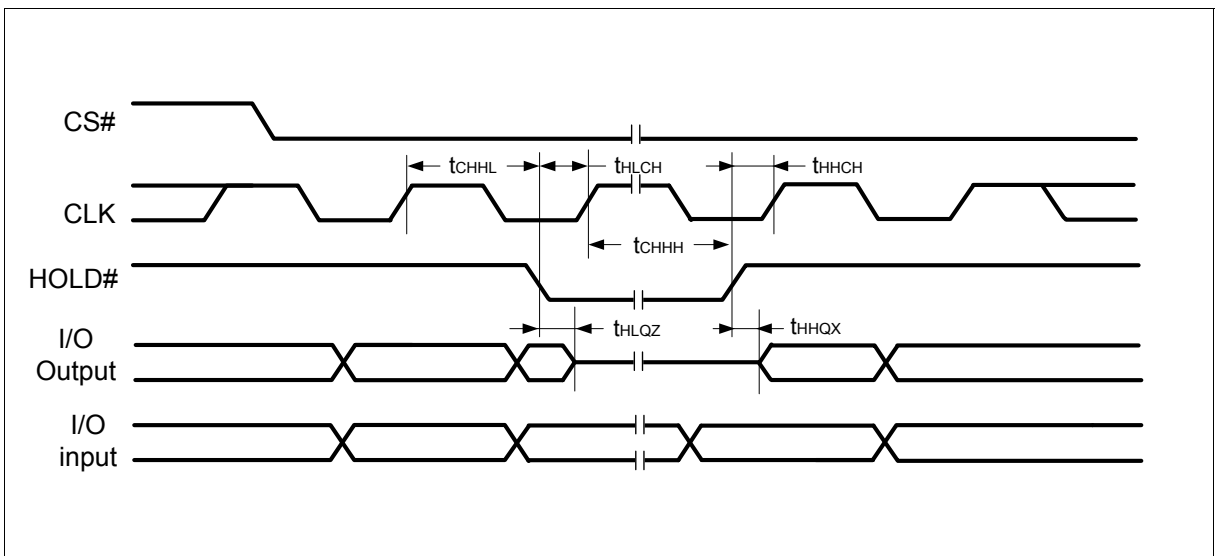


Figure 30 Hold Timing

## 13. Ordering Information

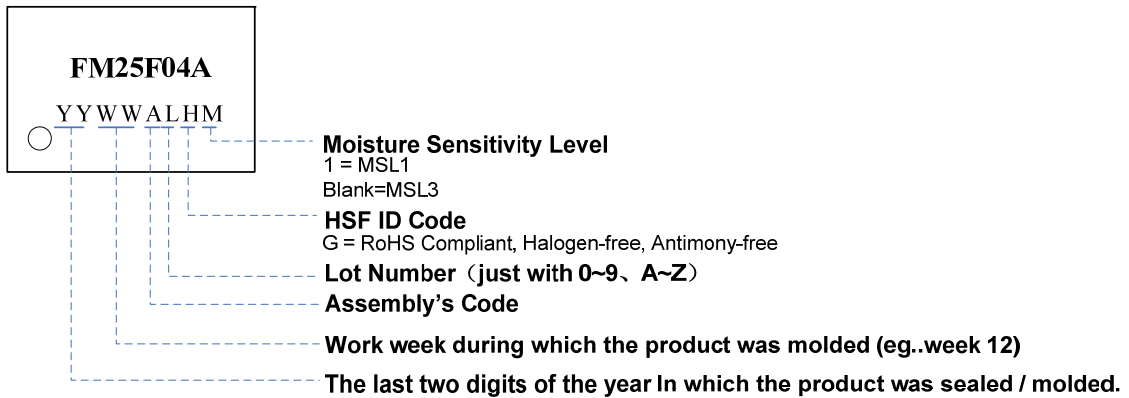
	FM	25F	04	A	-XXX	-C	-H
<b>Company Prefix</b>	FM = Fudan Microelectronics Group Co.,Ltd						
<b>Product Family</b>		25F = 2.3~ 3.6V Serial Flash Memory with 4KB Uniform-Sector, Standard / Dual SPI					
<b>Product Density</b>			04 = 4M-bit				
<b>Product Version</b>				A			
<b>Package Type <sup>(1)</sup></b>					SO = 8-pin SOP (150mil) SOB = 8-pin SOP (208mil) TS = 8-pin TSSOP DN = 8-pin TDFN (2x3mm) <sup>(2)</sup>		
<b>Product Carrier</b>						U = Tube T = Tape and Reel	
<b>HSF ID Code</b>							G = RoHS Compliant, Halogen-free, Antimony-free

Note:

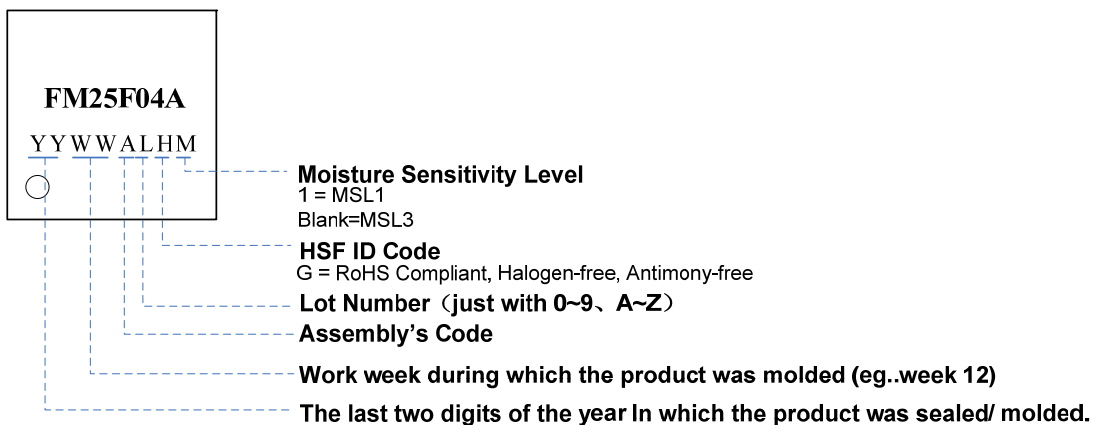
1. For SO, TS and DN package, MSL1 package are available, for detail please contact local sales office.
2. For Thinner package please contact local sales office.

## 14. Part Marking Scheme

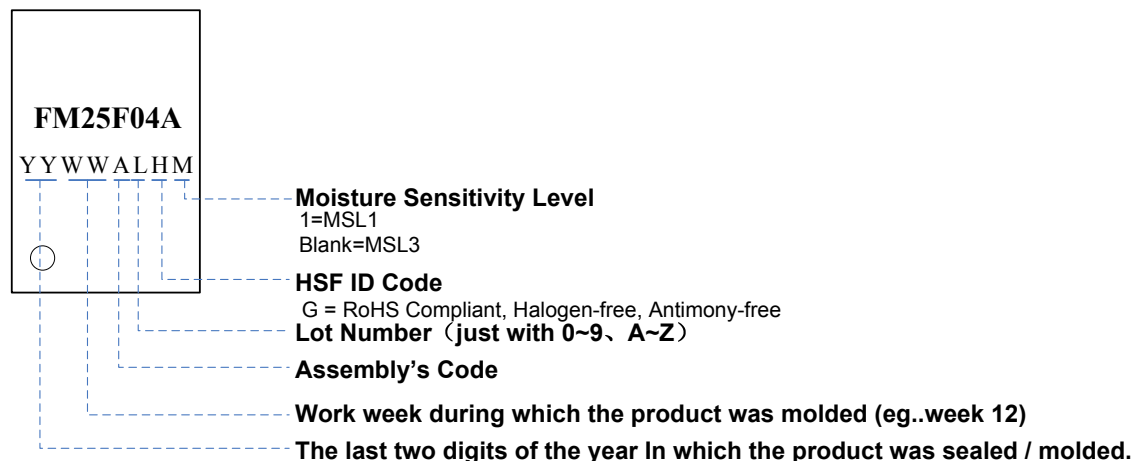
### 14.1. SOP8 (150mil)



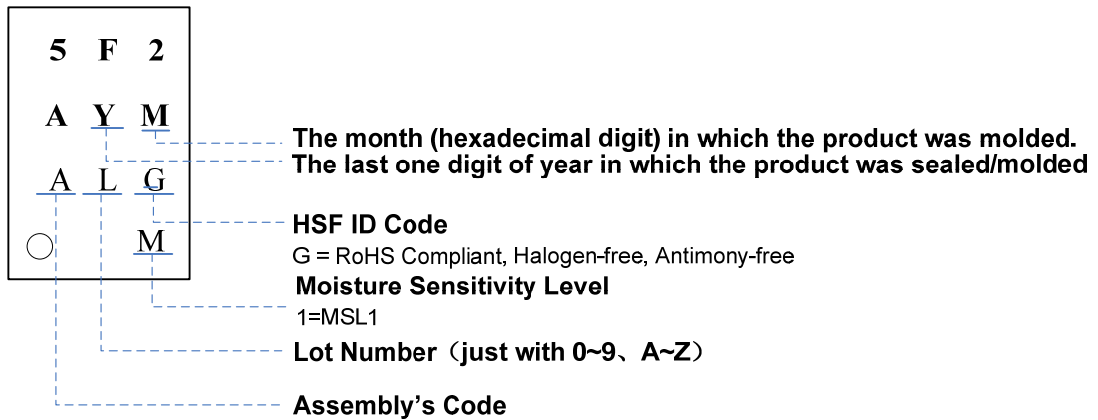
### 14.2. SOP8 (208mil)



### 14.3. TSSOP8

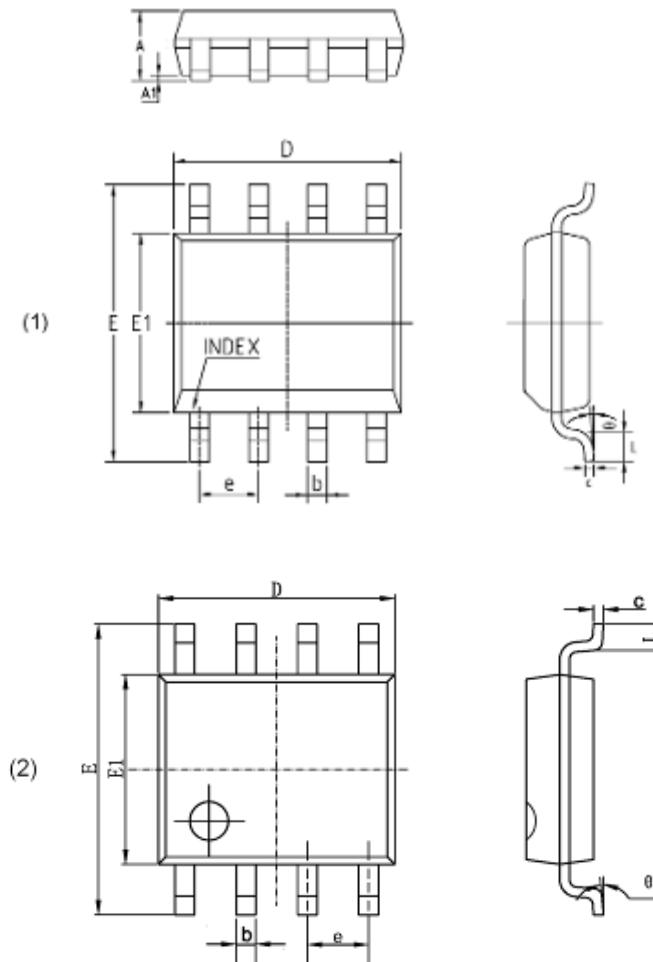


## 14.4. TDFN8 (2x3mm)



## 15. Packaging Information

SOP 8 (150mil)

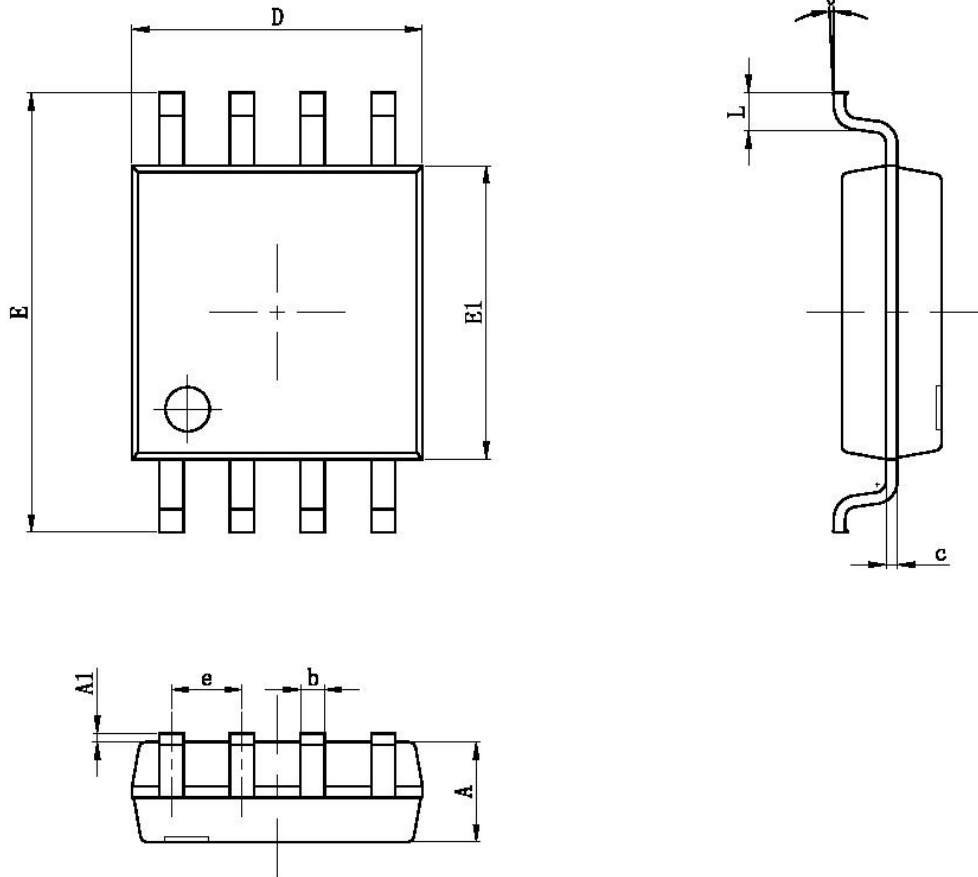


Symbol	MIN	MAX
A	1.350	1.750
A1	0.050	0.250
b	0.330	0.510
c	0.150	0.250
D	4.700	5.150
E1	3.800	4.000
E	5.800	6.200
e	1.270(BSC)	
L	0.400	1.270
$\theta$	0°	8°

**NOTE:**

1. Dimensions are in Millimeters.

SOP 8 (208mil)

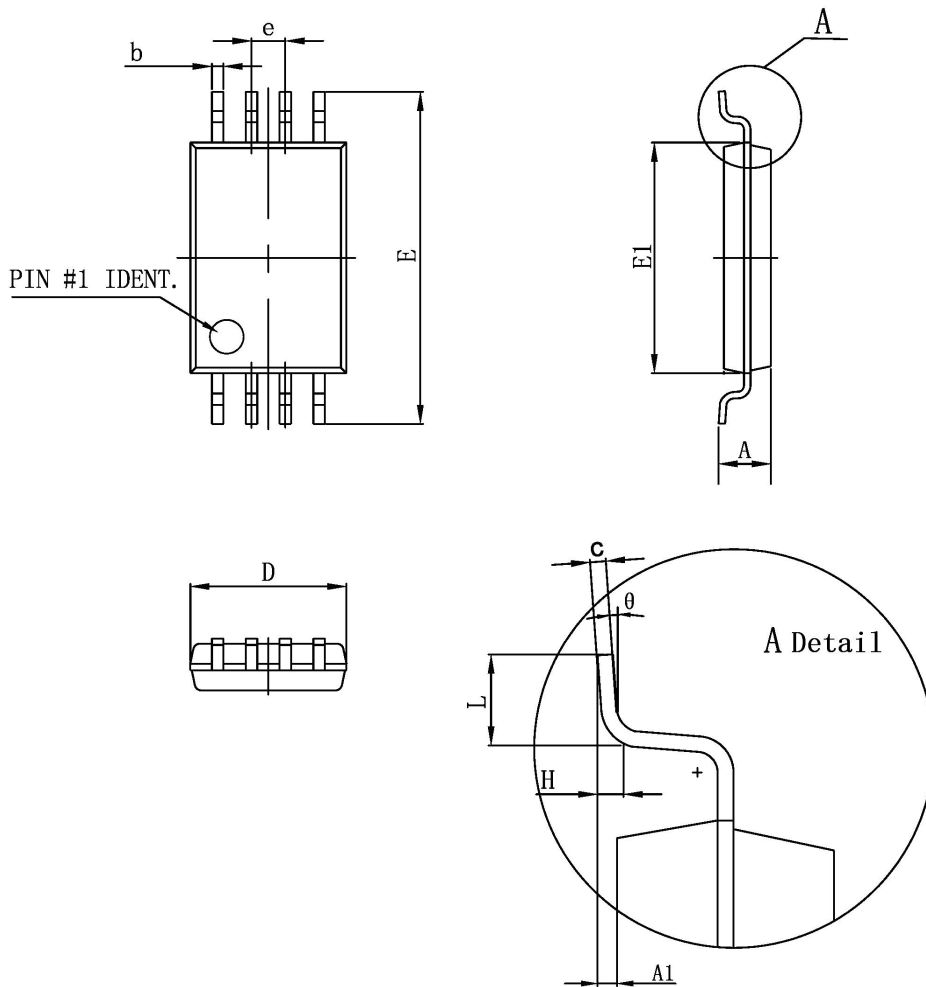


Symbol	MIN	MAX
A	--	2.100
A1	0.050	0.250
b	0.350	0.500
c	0.100	0.250
D	5.130	5.330
E1	5.180	5.380
E	7.700	8.100
e	1.270(BSC)	
L	0.500	0.850
θ	0°	8°

NOTE:

1. Dimensions are in Millimeters.

TSSOP8



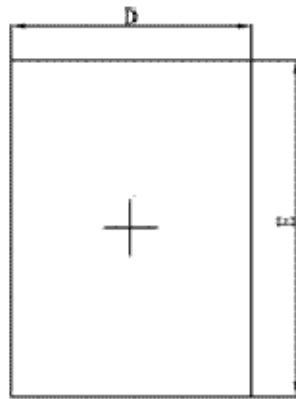
Symbol	MIN	MAX
D	2.900	3.100
E1	4.300	4.500
b	0.190	0.300
c	0.090	0.200
E	6.250	6.550
A		1.200
A1	0.050	0.150
e	0.650 (BSC)	
L	0.450	0.750
$\theta$	0°	8°

NOTE:

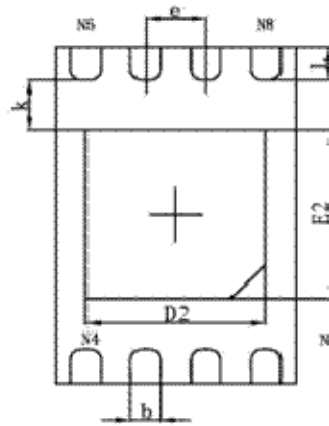
1. Dimensions are in Millimeters.



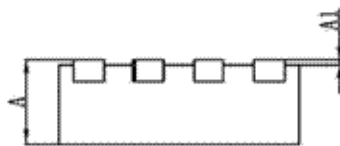
TDFN8 (2x3mm)



Top View



Bottom View



Side View

Symbol	MIN	MAX
A	0.700	0.800
A1	0.000	0.050
D	1.900	2.100
E	2.900	3.100
D2	1.400	1.600
E2	1.400	1.600
k	0.200(MIN)	
b	0.200	0.300
e	0.500(TYP)	
L	0.200	0.400

NOTE:

1. Dimensions are in Millimeters.



## 16. Revision History

Version	Publication date	Pages	Revise Description
1.0	May. 2013	43	First Official Release
1.1	Aug. 2013	43	Corrected the typo
1.2	Sep. 2014	43	Updated the DC Electrical Characteristics
1.3	Dec. 2014	43	1. Updated the Ordering Information and Part Marking Scheme. 2. Updated the Supply Voltage.
1.4	Jun. 2015	43	1. Updated the AC Electrical Characteristics under 2.3V. 2. Corrected the typo

## Sales and Service

### **Shanghai Fudan Microelectronics Group Co., Ltd.**

Address: Bldg No. 4, 127 Guotai Rd,  
Shanghai City China.

Postcode: 200433

Tel: (86-021) 6565 5050

Fax: (86-021) 6565 9115

### **Shanghai Fudan Microelectronics (HK) Co., Ltd.**

Address: Unit 506, 5/F., East Ocean Centre, 98 Granville Road,  
Tsimshatsui East, Kowloon, Hong Kong

Tel: (852) 2116 3288 2116 3338

Fax: (852) 2116 0882

### **Beijing Office**

Address: Room 423, Bldg B, Gehua Building,  
1 QingLong Hutong, Dongzhimen Alley north Street,  
Dongcheng District, Beijing City, China.

Postcode: 100007

Tel: (86-010) 8418 6608

Fax: (86-010) 8418 6211

### **Shenzhen Office**

Address: Room.1301, Century Bldg, No. 4002, Shengtingyuan Hotel,  
Huaqiang Rd (North),  
Shenzhen City, China.

Postcode: 518028

Tel: (86-0755) 8335 0911 8335 1011 8335 2011 8335 0611

Fax: (86-0755) 8335 9011

### **Shanghai Fudan Microelectronics (HK) Ltd Taiwan Representative Office**

Address: Unit 1225, 12F., No 252, Sec.1 Neihu Rd., Neihu Dist.,  
Taipei City 114, Taiwan

Tel : (886-2) 7721 1890 (886-2) 7721 1889

Fax: (886-2) 7722 3888

### **Shanghai Fudan Microelectronics (HK) Ltd Singapore Representative Office**

Address : 237, Alexandra Road, #07-01 The Alexcier, Singapore  
159929

Tel : (65) 6472 3688

Fax: (65) 6472 3669

### **Shanghai Fudan Microelectronics Group Co., Ltd NA Office**

Address :2490 W. Ray Road Suite#2  
Chandler, AZ 85224 USA

Tel : (480) 857-6500 ext 18

**Web Site:** <http://www.fmsh.com/>