



Is Now Part of



ON Semiconductor®

To learn more about ON Semiconductor, please visit our website at
www.onsemi.com

Please note: As part of the Fairchild Semiconductor integration, some of the Fairchild orderable part numbers will need to change in order to meet ON Semiconductor's system requirements. Since the ON Semiconductor product management systems do not have the ability to manage part nomenclature that utilizes an underscore (_), the underscore (_) in the Fairchild part numbers will be changed to a dash (-). This document may contain device numbers with an underscore (_). Please check the ON Semiconductor website to verify the updated device numbers. The most current and up-to-date ordering information can be found at www.onsemi.com. Please email any questions regarding the system integration to Fairchild_questions@onsemi.com.

ON Semiconductor and the ON Semiconductor logo are trademarks of Semiconductor Components Industries, LLC dba ON Semiconductor or its subsidiaries in the United States and/or other countries. ON Semiconductor owns the rights to a number of patents, trademarks, copyrights, trade secrets, and other intellectual property. A listing of ON Semiconductor's product/patent coverage may be accessed at www.onsemi.com/site/pdf/Patent-Marking.pdf. ON Semiconductor reserves the right to make changes without further notice to any products herein. ON Semiconductor makes no warranty, representation or guarantee regarding the suitability of its products for any particular purpose, nor does ON Semiconductor assume any liability arising out of the application or use of any product or circuit, and specifically disclaims any and all liability, including without limitation special, consequential or incidental damages. Buyer is responsible for its products and applications using ON Semiconductor products, including compliance with all laws, regulations and safety requirements or standards, regardless of any support or applications information provided by ON Semiconductor. "Typical" parameters which may be provided in ON Semiconductor data sheets and/or specifications can and do vary in different applications and actual performance may vary over time. All operating parameters, including "Typicals" must be validated for each customer application by customer's technical experts. ON Semiconductor does not convey any license under its patent rights nor the rights of others. ON Semiconductor products are not designed, intended, or authorized for use as a critical component in life support systems or any FDA Class 3 medical devices or medical devices with a same or similar classification in a foreign jurisdiction or any devices intended for implantation in the human body. Should Buyer purchase or use ON Semiconductor products for any such unintended or unauthorized application, Buyer shall indemnify and hold ON Semiconductor and its officers, employees, subsidiaries, affiliates, and distributors harmless against all claims, costs, damages, and expenses, and reasonable attorney fees arising out of, directly or indirectly, any claim of personal injury or death associated with such unintended or unauthorized use, even if such claim alleges that ON Semiconductor was negligent regarding the design or manufacture of the part. ON Semiconductor is an Equal Opportunity/Affirmative Action Employer. This literature is subject to all applicable copyright laws and is not for resale in any manner.



January 2016

Single-Channel: 6N135M, 6N136M, HCPL4503M Dual-Channel: HCPL2530M, HCPL2531M 8-Pin DIP High Speed Transistor Optocouplers

Features

- High Speed – 1 MBit/s
- Dual-Channel: HCPL2530M, HCPL2531M
- CTR Guaranteed 0°C to 70°C
- No Base Connection for Improved Noise Immunity (HCPL4503M)
- Superior CMR of 15,000 V/μs Minimum (HCPL4503M)
- Safety and Regulatory Approvals
 - UL1577, 5,000 VAC_{RMS} for 1 Minute
 - DIN EN/IEC60747-5-5

Applications

- Line Receivers
- Pulse Transformer Replacement
- Output Interface to CMOS-LSTTL-TTL
- Wide-Bandwidth Analog Coupling

Description

The 6N135M, 6N136M, HCPL4503M, HCPL2530M, and HCPL2531M optocouplers consist of an AlGaAs LED optically coupled to a high speed photodetector transistor for each channel.

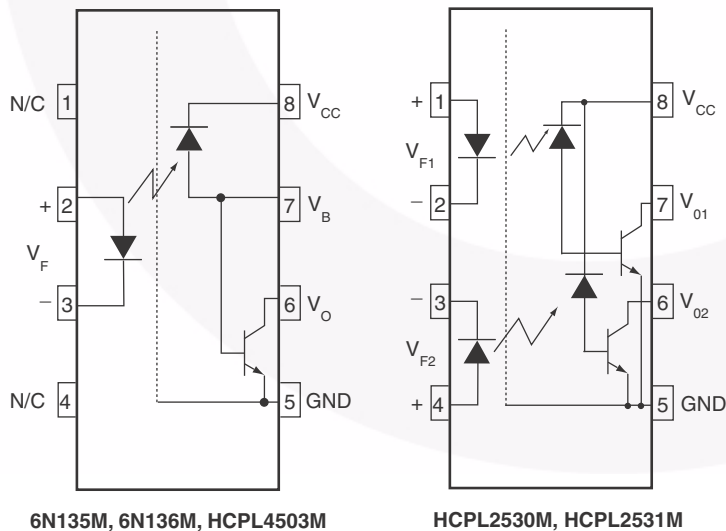
A separate connection for the bias of the photodiode improves the speed by several orders of magnitude over conventional phototransistor optocouplers by reducing the base-collector capacitance of the input transistor.

The HCPL4503M has no internal connection to the phototransistor base for improved noise immunity. An internal noise shield provides superior common mode rejection of up to 50,000 V/μs.

Related Resources

- www.fairchildsemi.com/products/optoelectronics/
- www.fairchildsemi.com/pf/HC/HCPL0500.html
- www.fairchildsemi.com/pf/FO/FODM452.html
- www.fairchildsemi.com/pf/FO/FOD050L.html

Schematics



Pin 7 is not connected in the HCPL4503M

Figure 1. Schematics

Package Outlines

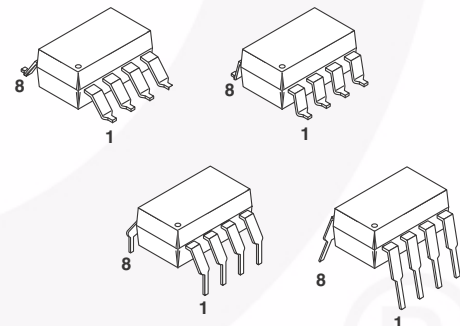


Figure 2. Package Outlines

Single-Channel: 6N135M, 6N136M, HCPL4503M
Dual-Channel: HCPL2530M, HCPL2531M — 8-Pin DIP High Speed Transistor Optocouplers

Safety and Insulation Ratings

As per DIN EN/IEC 60747-5-5, this optocoupler is suitable for “safe electrical insulation” only within the safety limit data. Compliance with the safety ratings shall be ensured by means of protective circuits.

| Parameter | Characteristics | |
|-------------------------------------------------------------------------------------|------------------------|-------|
| Installation Classifications per DIN VDE 0110/1.89 Table 1, For Rated Mains Voltage | < 150 V _{RMS} | I-IV |
| | < 300 V _{RMS} | I-IV |
| | < 450 V _{RMS} | I-III |
| | < 600 V _{RMS} | I-III |
| Climatic Classification | 40/100/21 | |
| Pollution Degree (DIN VDE 0110/1.89) | 2 | |
| Comparative Tracking Index | 175 | |

| Symbol | Parameter | Value | Unit |
|-----------------------|----------------------------------------------------------------------------------------------------------------------------------------------------------------|-------------------|-------------------|
| V _{PR} | Input-to-Output Test Voltage, Method A, V _{IORM} × 1.6 = V _{PR} , Type and Sample Test with t _m = 10 s, Partial Discharge < 5 pC | 1,335 | V _{peak} |
| | Input-to-Output Test Voltage, Method B, V _{IORM} × 1.875 = V _{PR} , 100% Production Test with t _m = 1 s, Partial Discharge < 5 pC | 1,669 | V _{peak} |
| V _{IORM} | Maximum Working Insulation Voltage | 890 | V _{peak} |
| V _{IOTM} | Highest Allowable Over-Voltage | 6,000 | V _{peak} |
| | External Creepage | ≥ 8.0 | mm |
| | External Clearance | ≥ 7.4 | mm |
| | External Clearance (for Option TV, 0.4" Lead Spacing) | ≥ 10.16 | mm |
| DTI | Distance Through Insulation (Insulation Thickness) | ≥ 0.5 | mm |
| T _S | Case Temperature ⁽¹⁾ | 150 | °C |
| I _{S,INPUT} | Input Current ⁽¹⁾ | 200 | mA |
| P _{S,OUTPUT} | Output Power (Duty Factor ≤ 2.7%) ⁽¹⁾ | 300 | mW |
| R _{IO} | Insulation Resistance at T _S , V _{IO} = 500 V ⁽¹⁾ | > 10 ⁹ | Ω |

Note:

1. Safety limit value - maximum values allowed in the event of a failure.

Absolute Maximum Ratings

Stresses exceeding the absolute maximum ratings may damage the device. The device may not function or be operable above the recommended operating conditions and stressing the parts to these levels is not recommended. In addition, extended exposure to stresses above the recommended operating conditions may affect device reliability. The absolute maximum ratings are stress ratings only. $T_A = 25^\circ\text{C}$ unless otherwise specified.

| Symbol | Parameter | Test Conditions | Value | Unit |
|-----------------|--------------------------------------------------------------|------------------------------------|----------------|------------------|
| T_{STG} | Storage Temperature | | -40 to +125 | $^\circ\text{C}$ |
| T_{OPR} | Operating Temperature | | -40 to +100 | $^\circ\text{C}$ |
| T_J | Junction Temperature | | -40 to +125 | $^\circ\text{C}$ |
| T_{SOL} | Lead Solder Temperature | | 260 for 10 sec | $^\circ\text{C}$ |
| EMITTER | | | | |
| I_F (avg) | DC/Average Forward Input Current Each Channel ⁽²⁾ | | 25 | mA |
| I_F (pk) | Peak Forward Input Current Each Channel ⁽³⁾ | 50% Duty Cycle, 1 ms P.W. | 50 | mA |
| I_F (trans) | Peak Transient Input Current Each Channel | $\leq 1 \mu\text{s}$ P.W., 300 pps | 1.0 | A |
| V_R | Reverse Input Voltage Each Channel | | 5 | V |
| P_D | Input Power Dissipation Each Channel ⁽⁴⁾ | | 45 | mW |
| DETECTOR | | | | |
| I_O (avg) | Average Output Current Each Channel | | 8 | mA |
| I_O (pk) | Peak Output Current Each Channel | | 16 | mA |
| V_{EBR} | Emitter-Base Reverse Voltage | 6N135M and 6N136M | 5 | V |
| V_{CC} | Supply Voltage | | -0.5 to 30 | V |
| V_O | Output Voltage | | -0.5 to 20 | V |
| I_B | Base Current | 6N135M and 6N136M | 5 | mA |
| P_D | Output Power Dissipation Each Channel ⁽⁵⁾ | | 100 | mW |

Notes:

- Derate linearly above 70°C free-air temperature at a rate of $0.8 \text{ mA}/^\circ\text{C}$.
- Derate linearly above 70°C free-air temperature at a rate of $1.6 \text{ mA}/^\circ\text{C}$.
- Derate linearly above 70°C free-air temperature at a rate of $0.9 \text{ mW}/^\circ\text{C}$.
- Derate linearly above 70°C free-air temperature at a rate of $2.0 \text{ mW}/^\circ\text{C}$.

Recommended Operating Conditions

The Recommended Operating Conditions table defines the conditions for actual device operation. Recommended operating conditions are specified to ensure optimal performance to the datasheet specifications. Fairchild does not recommend exceeding them or designing to absolute maximum ratings.

| Symbol | Parameter | Min. | Max. | Unit |
|----------|------------------------------------------|------|------|------------------|
| V_{CC} | Supply Voltage | 4.5 | 20.0 | V |
| T_A | Ambient Operating Temperature | 0 | 70 | $^\circ\text{C}$ |
| I_{FL} | Input Current, Low Level | 0 | 250 | μA |
| I_{FH} | Input Current, High Level ⁽⁶⁾ | 6.3 | 20.0 | mA |

Note:

- 6.3 mA is a guard banded value which allows for at least 20% CTR degradation. Initial input current threshold value is 5.0 mA or less.

Electrical Characteristics

$V_{CC} = 5.0\text{ V}$, $T_A = 0^\circ\text{C}$ to 70°C unless otherwise specified.

Individual Component Characteristics

| Symbol | Parameter | Device | Test Conditions | Min. | Typ. | Max. | Unit |
|-------------------------|--------------------------------------------|---------------------------|---------------------------------------------------------------------------------|------|--------|------|----------------------|
| EMITTER | | | | | | | |
| V_F | Input Forward Voltage | All | $I_F = 16\text{ mA}$, $T_A = 25^\circ\text{C}$ | | 1.45 | 1.70 | V |
| | | All | $I_F = 16\text{ mA}$ | | | 1.80 | |
| B_{VR} | Input Reverse Breakdown Voltage | All | $I_R = 10\text{ }\mu\text{A}$ | 5 | 21 | | V |
| $\Delta V_F/\Delta T_A$ | Temperature Coefficient of Forward Voltage | All | $I_F = 16\text{ mA}$ | | -1.7 | | mV/ $^\circ\text{C}$ |
| DETECTOR | | | | | | | |
| I_{OH} | Logic High Output Current | All | $I_F = 0\text{ mA}$, $V_O = V_{CC} = 5.5\text{ V}$, $T_A = 25^\circ\text{C}$ | | 0.0007 | 0.5 | μA |
| | | 6N135M, 6N136M, HCPL4503M | $I_F = 0\text{ mA}$, $V_O = V_{CC} = 15\text{ V}$, $T_A = 25^\circ\text{C}$ | | 0.0019 | 1 | |
| | | All | $I_F = 0\text{ mA}$, $V_O = V_{CC} = 15\text{ V}$ | | | 50 | |
| I_{CCL} | Logic Low Supply Current | 6N135M, 6N136M, HCPL4503M | $I_F = 16\text{ mA}$, $V_O = \text{Open}$, $V_{CC} = 15\text{ V}$ | | 163 | 200 | μA |
| | | HCPL2530M, HCPL2531M | $I_{F1} = I_{F2} = 16\text{ mA}$, $V_O = \text{Open}$, $V_{CC} = 15\text{ V}$ | | | 400 | |
| I_{CCH} | Logic High Supply Current | 6N135M, 6N136M, HCPL4503M | $I_F = 0\text{ mA}$, $V_O = \text{Open}$, $V_{CC} = 15\text{ V}$ | | 0.0004 | 2 | μA |
| | | HCPL2530M, HCPL2531M | $I_F = 0\text{ mA}$, $V_O = \text{Open}$, $V_{CC} = 15\text{ V}$ | | | 4 | |

Electrical Characteristics (continued)

$T_A = 0^\circ\text{C}$ to 70°C unless otherwise specified.

Transfer Characteristics

| Symbol | Parameter | Device | Test Conditions | Min. | Typ. | Max. | Unit | |
|----------------|---------------------------------------|------------------------------------|-----------------------------------------------------------------------------------------------|-------------------------|------|------|------|---|
| COUPLED | | | | | | | | |
| CTR | Current Transfer Ratio ⁽⁷⁾ | 6N135M, HCPL2530M | $I_F = 16\text{ mA}, V_O = 0.4\text{ V},$ $V_{CC} = 4.5\text{ V}, T_A = 25^\circ\text{C}$ | 7 | 38 | 50 | % | |
| | | 6N136M, HCPL4503M, HCPL2531M | | 19 | 38 | 50 | % | |
| | | 6N135M | $I_F = 16\text{ mA},$ $V_{CC} = 4.5\text{ V}$ | $V_{OL} = 0.4\text{ V}$ | 5 | | | % |
| | | HCPL2530M | | $V_{OL} = 0.5\text{ V}$ | | | | |
| | | 6N136M, HCPL4503M | | $V_{OL} = 0.4\text{ V}$ | 15 | | | % |
| | | HCPL2531M | | $V_{OL} = 0.5\text{ V}$ | | | | |
| V_{OL} | Logic LOW Output Voltage | 6N135M | $I_F = 16\text{ mA}, I_O = 1.1\text{ mA},$ $V_{CC} = 4.5\text{ V}, T_A = 25^\circ\text{C}$ | | 0.12 | 0.4 | V | |
| | | HCPL2530M | | | | 0.5 | | |
| | | 6N136M, HCPL4503M | $I_F = 16\text{ mA}, I_O = 3\text{ mA},$ $V_{CC} = 4.5\text{ V}, T_A = 25^\circ\text{C}$ | | 0.20 | 0.4 | | |
| | | HCPL2531M | | | | 0.5 | | |
| | | 6N135M, HCPL2530M | $I_F = 16\text{ mA}, I_O = 0.8\text{ mA},$ $V_{CC} = 4.5\text{ V}$ | | 0.11 | 0.5 | | |
| | | HCPL4503M, HCPL2531M | $I_F = 16\text{ mA}, I_O = 2.4\text{ mA},$ $V_{CC} = 4.5\text{ V}$ | | 0.18 | 0.5 | | |

Note:

7. Current Transfer Ratio is defined as a ratio of output collector current, I_O , to the forward LED input current, I_F , times 100%.

Electrical Characteristics (continued)

$T_A = 0^\circ\text{C}$ to 70°C unless otherwise specified.

Switching Characteristics

| Symbol | Parameter | Device | Test Conditions | Min. | Typ. | Max. | Unit | |
|-----------|----------------------------------------------|------------------------------------|----------------------------------------------------------------------------------------------------------------------------------------|--------|--------|------|------------------------|---------------|
| t_{PHL} | Propagation Delay Time to Logic LOW | 6N135M | $T_A = 25^\circ\text{C}$, $R_L = 4.1\text{ k}\Omega$, $I_F = 16\text{ mA}^{(8)}$ (Figure 15) | | 0.23 | 1.5 | μs | |
| | | HCPL2530M | | | 0.25 | | | |
| | | 6N136M, HCPL4503M | $T_A = 25^\circ\text{C}$, $R_L = 1.9\text{ k}\Omega$, $I_F = 16\text{ mA}^{(9)}$ (Figure 15) | | 0.25 | 0.8 | μs | |
| | | HCPL2531M | | | 0.28 | | | |
| | | 6N135M, HCPL2530M | $R_L = 4.1\text{ k}\Omega$, $I_F = 16\text{ mA}^{(8)}$ (Figure 15) | | | | 2.0 | μs |
| | | 6N136M, HCPL4503M, HCPL2531M | $R_L = 1.9\text{ k}\Omega$, $I_F = 16\text{ mA}^{(9)}$ (Figure 15) | | | | 1.0 | μs |
| t_{PLH} | Propagation Delay Time to Logic HIGH | 6N135M | $T_A = 25^\circ\text{C}$, $R_L = 4.1\text{ k}\Omega$, $I_F = 16\text{ mA}^{(8)}$ (Figure 15) | | 0.45 | 1.5 | μs | |
| | | HCPL2530M | | | 0.29 | | | |
| | | 6N136M, HCPL4503M | $T_A = 25^\circ\text{C}$, $R_L = 1.9\text{ k}\Omega$, $I_F = 16\text{ mA}^{(9)}$ (Figure 15) | | 0.26 | 0.8 | μs | |
| | | HCPL2531M | | | 0.18 | | | |
| | | 6N135M, HCPL2530M | $R_L = 4.1\text{ k}\Omega$, $I_F = 16\text{ mA}^{(8)}$ (Figure 15) | | | | 2.0 | μs |
| | | 6N136M, HCPL4503M, HCPL2531M | $R_L = 1.9\text{ k}\Omega$, $I_F = 16\text{ mA}^{(9)}$ (Figure 15) | | | | 1.0 | μs |
| $ CM_H $ | Common Mode Transient Immunity at Logic High | 6N135M, HCPL2530M | $I_F = 0\text{ mA}$, $V_{CM} = 10\text{ V}_{P-P}$, $R_L = 4.1\text{ k}\Omega$, $T_A = 25^\circ\text{C}^{(10)}$ (Figure 16) | | 10,000 | | $\text{V}/\mu\text{s}$ | |
| | | 6N136M, HCPL2531M | $I_F = 0\text{ mA}$, $V_{CM} = 10\text{ V}_{P-P}$, $R_L = 1.9\text{ k}\Omega$, $T_A = 25^\circ\text{C}^{(10)}$ (Figure 16) | | 10,000 | | | |
| | | HCPL4503M | $I_F = 0\text{ mA}$, $V_{CM} = 1,500\text{ V}_{P-P}$, $R_L = 4.1\text{ k}\Omega$, $T_A = 25^\circ\text{C}^{(10)}$ (Figure 16) | 15,000 | 50,000 | | | |
| $ CM_L $ | Common Mode Transient Immunity at Logic Low | 6N135M, HCPL2530M | $I_F = 16\text{ mA}$, $V_{CM} = 10\text{ V}_{P-P}$, $R_L = 4.1\text{ k}\Omega$, $T_A = 25^\circ\text{C}^{(10)}$ (Figure 16) | | 10,000 | | $\text{V}/\mu\text{s}$ | |
| | | 6N136M, HCPL2531M | $I_F = 16\text{ mA}$, $V_{CM} = 10\text{ V}_{P-P}$, $R_L = 1.9\text{ k}\Omega^{(10)}$ (Figure 16) | | 10,000 | | | |
| | | HCPL4503M | $I_F = 0\text{ mA}$, $V_{CM} = 1,500\text{ V}_{P-P}$, $R_L = 4.1\text{ k}\Omega$, $T_A = 25^\circ\text{C}^{(10)}$ (Figure 16) | 15,000 | 50,000 | | | |

Notes:

8. The 4.1 k Ω load represents 1 LSTTL unit load of 0.36 mA and 6.1 k Ω pull-up resistor.
9. The 1.9 k Ω load represents 1 TTL unit load of 1.6 mA and 5.6 k Ω pull-up resistor.
10. Common mode transient immunity in logic high level is the maximum tolerable (positive) dV_{CM}/dt on the leading edge of the common mode pulse signal, V_{CM} , to assure that the output will remain in a logic high state (i.e., $V_O > 2.0\text{ V}$). Common mode transient immunity in logic low level is the maximum tolerable (negative) dV_{CM}/dt on the trailing edge of the common mode pulse signal, V_{CM} , to assure that the output will remain in a logic low state (i.e., $V_O < 0.8\text{ V}$).

Isolation Characteristics ($T_A = 25^\circ\text{C}$ unless otherwise specified.)

| Symbol | Parameter | Device | Test Conditions | Min. | Typ. | Max. | Unit |
|-----------|----------------------------------------|-------------------------|-----------------------------------------------------------------------------------------------------|-------|-----------|------|--------------------|
| V_{ISO} | Withstand Isolation Test Voltage | All | $RH \leq 50\%$, $I_{I-O} \leq 10 \mu\text{A}$ $t = 1$ minute, $f = 50 \text{ Hz}^{(11)(13)}$ | 5,000 | | | VAC_{RMS} |
| R_{I-O} | Resistance (Input to Output) | All | $V_{I-O} = 500 \text{ V}_{DC}^{(11)}$ | | 10^{11} | | Ω |
| C_{I-O} | Capacitance (Input to Output) | All | $f = 1 \text{ MHz}$, $V_{I-O} = 0 \text{ V}_{DC}^{(11)}$ | | 1 | | pF |
| I_{I-I} | Input-Input Insulation Leakage Current | HCPL2530M, HCPL2531M | $RH \leq 45\%$, $V_{I-I} = 500 \text{ V}_{DC}$, $t = 5 \text{ s}^{(12)}$ | | < 1 | | nA |
| R_{I-I} | Input-Input Resistance | HCPL2530M, HCPL2531M | $V_{I-I} = 500 \text{ V}_{DC}^{(12)}$ | | 10^{12} | | Ω |
| C_{I-I} | Input-Input Capacitance | HCPL2530M, HCPL2531M | $f = 1 \text{ MHz}^{(12)}$ | | 0.2 | | pF |

Notes:

11. Device is considered a two terminal device: pins 1, 2, 3 and 4 are shorted together and pins 5, 6, 7 and 8 are shorted together.
12. Measured between pins 1 and 2 shorted together, and pins 3 and 4 shorted together.
13. 5000 V_{RMS} for 1 minute duration is equivalent to 6000 V_{RMS} for 1 second duration.

Typical Performance Curves

For single-channel devices; 6N135M, 6N136M, and HCPL4503M.

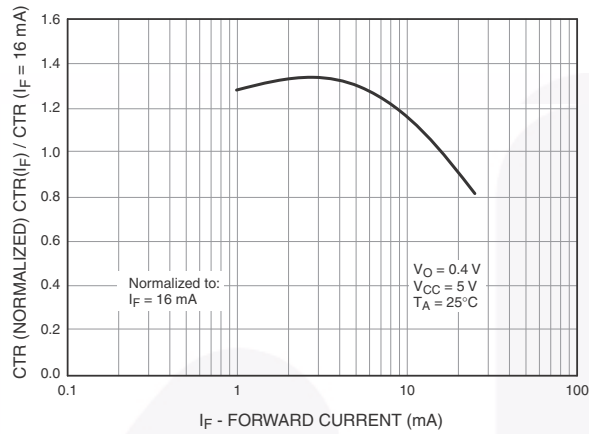


Figure 3. Normalized CTR vs. Forward Current

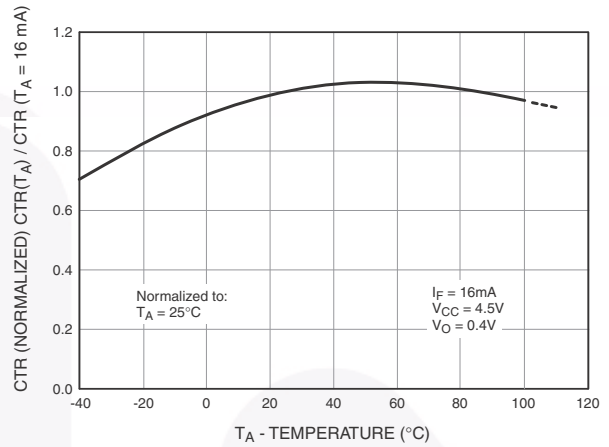


Figure 4. Normalized CTR vs. Temperature

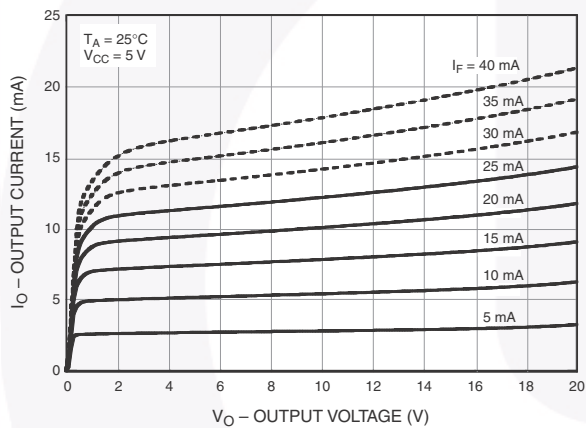


Figure 5. Output Current vs. Output Voltage

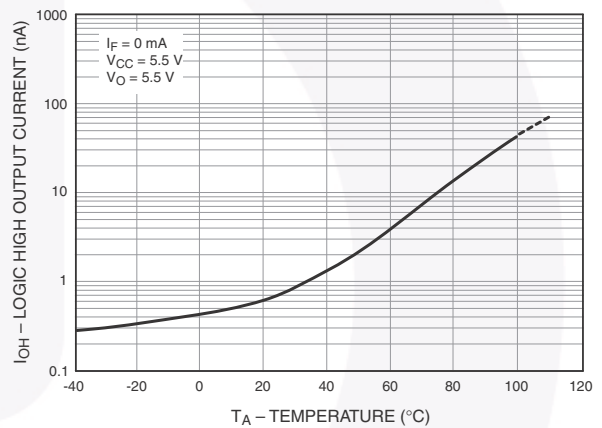


Figure 6. Logic High Output Current vs. Temperature

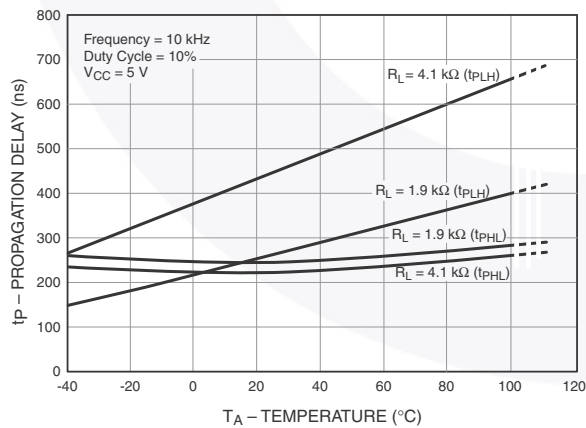


Figure 7. Propagation Delay vs. Temperature

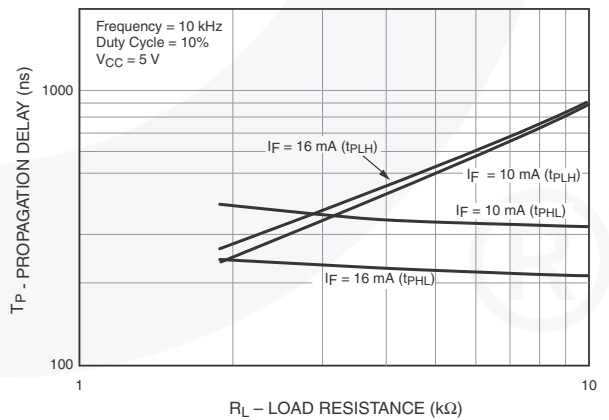


Figure 8. Propagation Delay vs. Load Resistance

Typical Performance Curves (Continued)

For dual-channel devices; HCPL2530M and HCPL2531M.

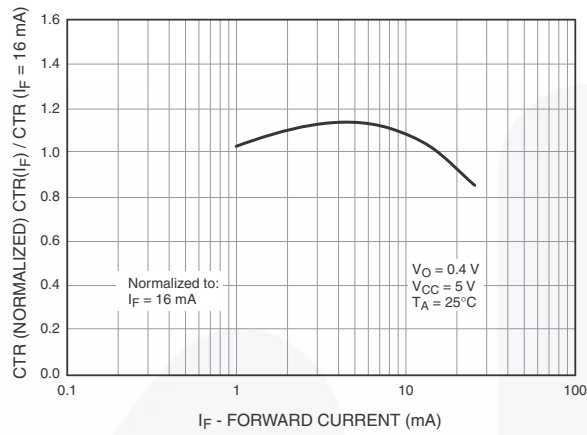


Figure 9. Normalized CTR vs. Forward Current

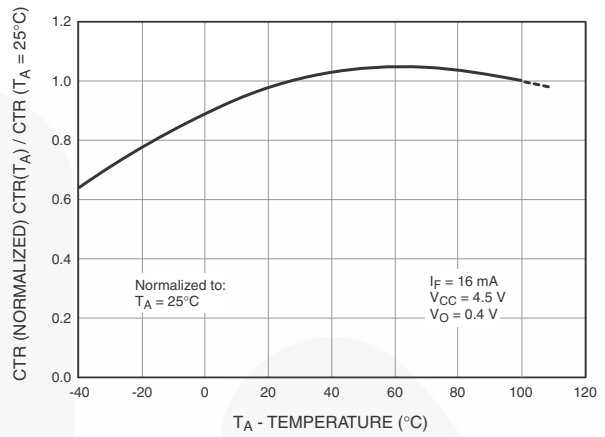


Figure 10. Normalized CTR vs. Temperature

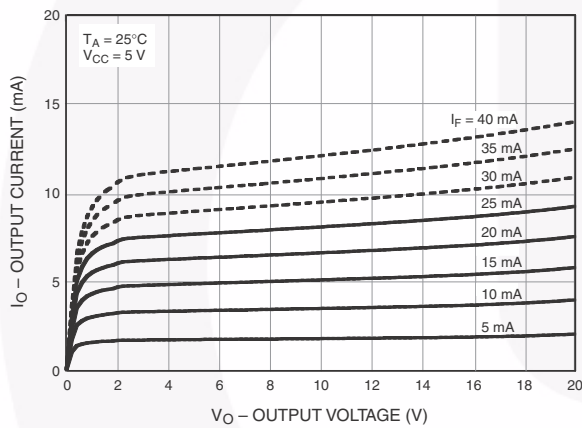


Figure 11. Output Current vs. Output Voltage

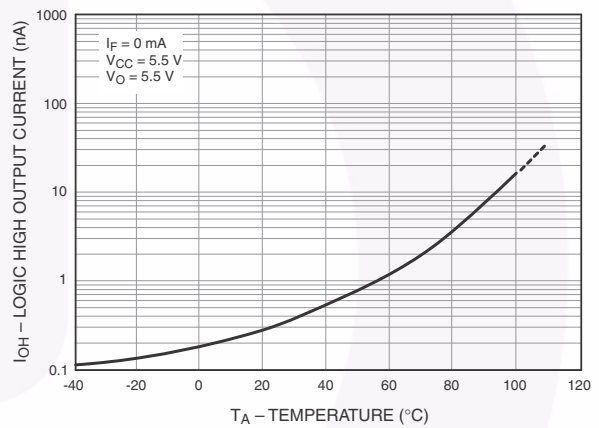


Figure 12. Logic High Output Current vs. Temperature

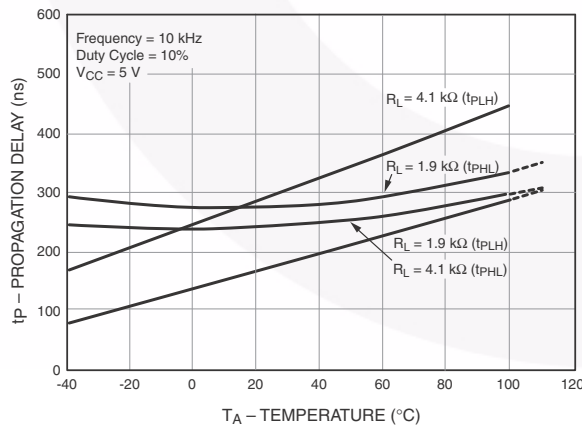


Figure 13. Propagation Delay vs. Temperature

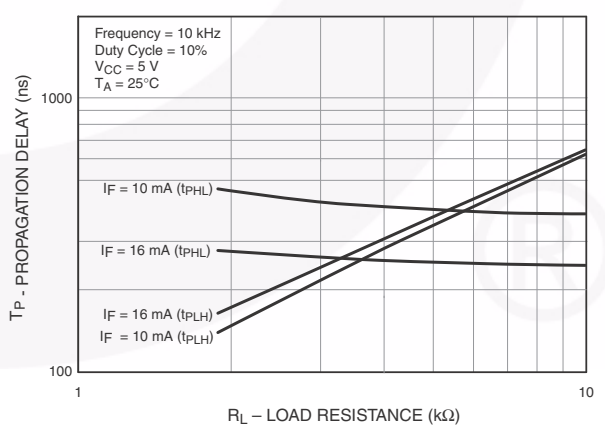
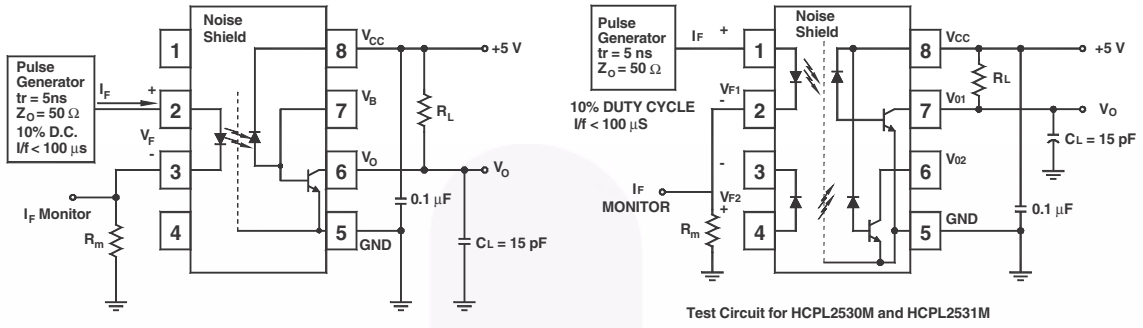


Figure 14. Propagation Delay vs. Load Resistance

Test Circuits



Test Circuit for 6N135M, 6N136M, and HCPL4503M

Test Circuit for HCPL2530M and HCPL2531M

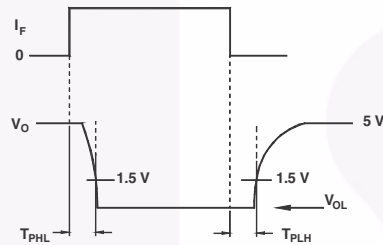
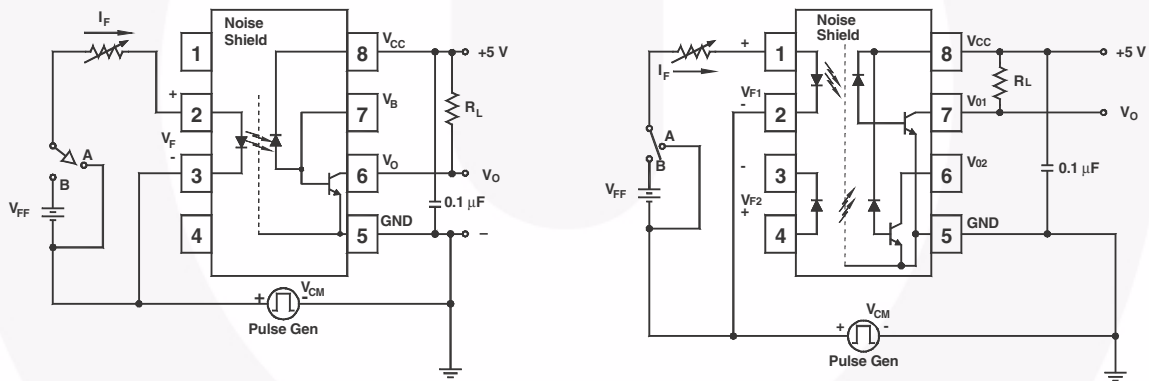


Figure 15. Switching Time Test Circuit



Test Circuit for 6N135M, 6N136M, and HCPL4503M

Test Circuit for HCPL2530M and HCPL2531M

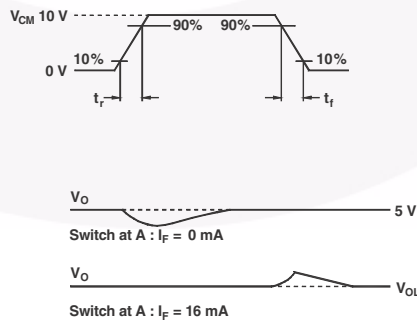
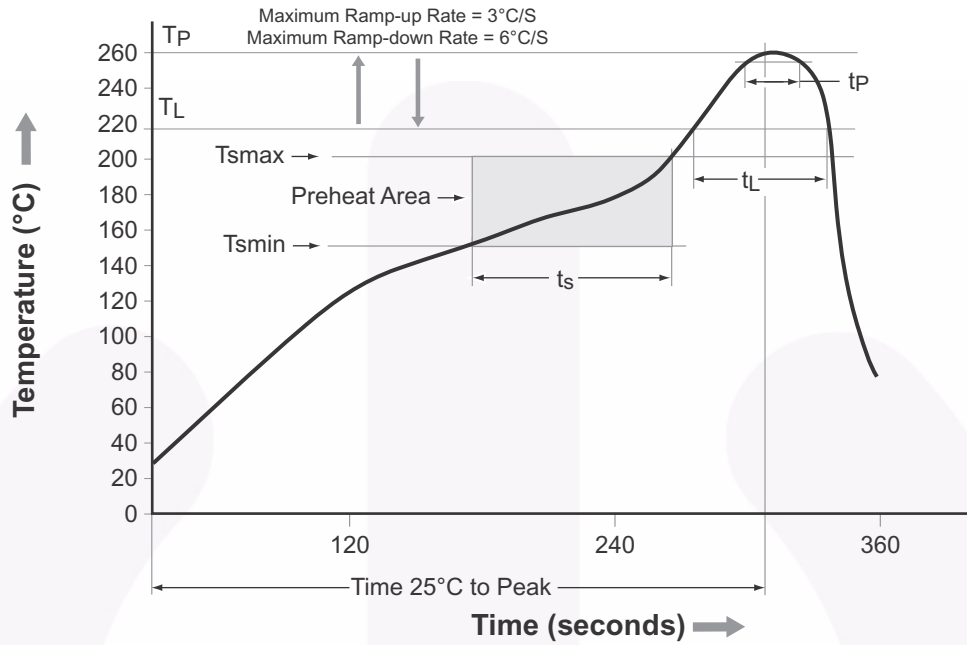


Figure 16. Common Mode Immunity Test Circuit

Reflow Profile



| Profile Feature | Pb-Free Assembly Profile |
|-----------------------------------------------------------------------|--------------------------|
| Temperature Min. (T _{smín}) | 150°C |
| Temperature Max. (T _{smáx}) | 200°C |
| Time (t _s) from (T _{smín} to T _{smáx}) | 60 to 120 s |
| Ramp-up Rate (t _L to t _p) | 3°C/second maximum |
| Liquidous Temperature (T _L) | 217°C |
| Time (t _L) Maintained Above (T _L) | 60 to 150 s |
| Peak Body Package Temperature | 260°C +0°C / -5°C |
| Time (t _p) within 5°C of 260°C | 30 s |
| Ramp-down Rate (T _p to T _L) | 6°C/s maximum |
| Time 25°C to Peak Temperature | 8 minutes maximum |

Figure 17. Reflow Profile

Ordering Information

| Part Number | Package | Packing Method |
|-------------|-----------------------------------------------------------|--------------------------------------|
| 6N135M | DIP 8-Pin | Tube (50 units per tube) |
| 6N135SM | SMT 8-Pin (Lead Bend) | Tube (50 units per tube) |
| 6N135SDM | SMT 8-Pin (Lead Bend) | Tape and Reel (1,000 units per reel) |
| 6N135VM | DIP 8-Pin, DIN EN/IEC 60747-5-5 Option | Tube (50 units per tube) |
| 6N135SVM | SMT 8-Pin (Lead Bend), DIN EN/IEC 60747-5-5 Option | Tube (50 units per tube) |
| 6N135SDVM | SMT 8-Pin (Lead Bend), DIN EN/IEC 60747-5-5 Option | Tape and Reel (1,000 units per reel) |
| 6N135TVM | DIP 8-Pin, 0.4" Lead Spacing, DIN EN/IEC 60747-5-5 Option | Tube (50 units per tube) |
| 6N135TSVM | SMT 8-Pin, 0.4" Lead Spacing, DIN EN/IEC 60747-5-5 Option | Tube (50 units per tube) |
| 6N135TSR2VM | SMT 8-Pin, 0.4" Lead Spacing, DIN EN/IEC 60747-5-5 Option | Tape and Reel (1,000 units per reel) |

Note:

The product orderable part number system listed in this table also applies to the 6N136M, HCPL4503M, HCPL2530M, and HCPL2531M product families.

Marking Information

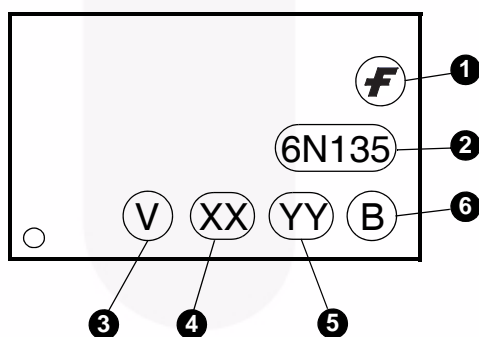
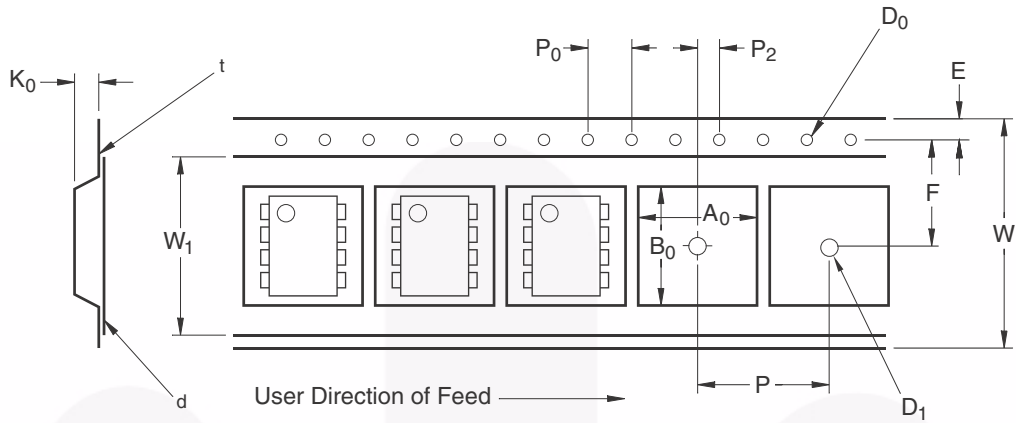


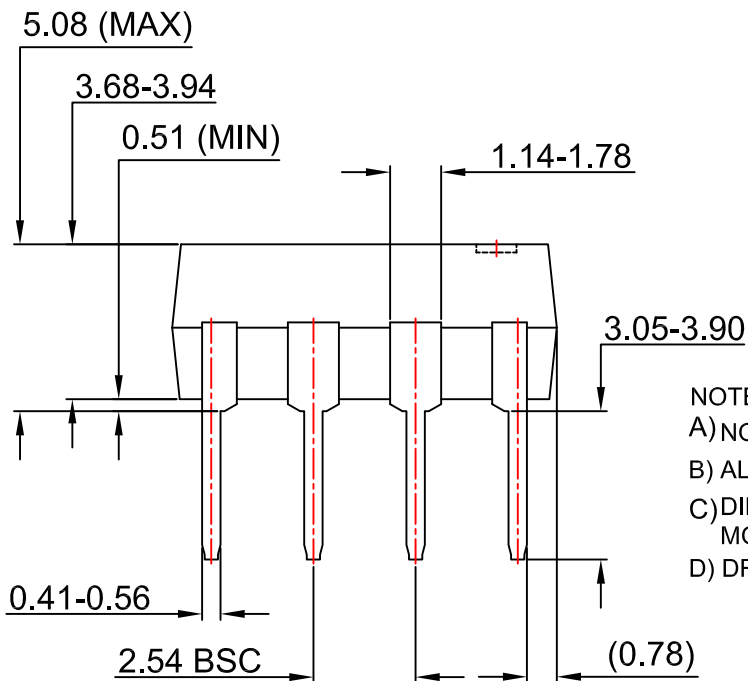
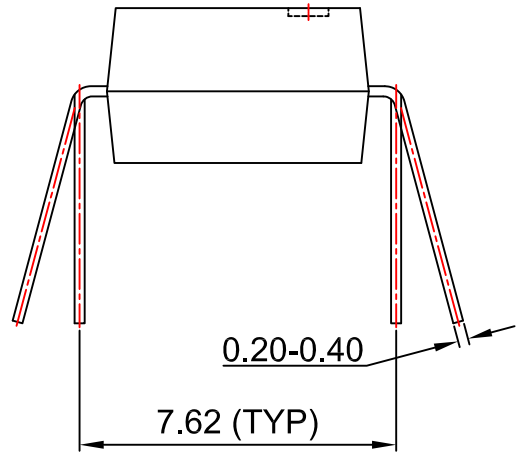
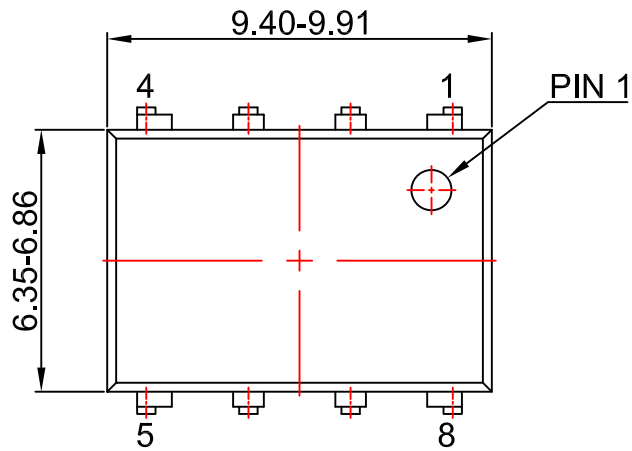
Figure 14. Top Mark

| Definitions | |
|-------------|---------------------------------------------------------------------------------|
| 1 | Fairchild Logo |
| 2 | Device Number |
| 3 | DIN EN/IEC60747-5-5 Option (only appears on component ordered with this option) |
| 4 | Two Digit Year Code, e.g., '15' |
| 5 | Two Digit Work Week Ranging from '01' to '53' |
| 6 | Assembly Package Code |

Carrier Tape Specifications (Option TSR2)

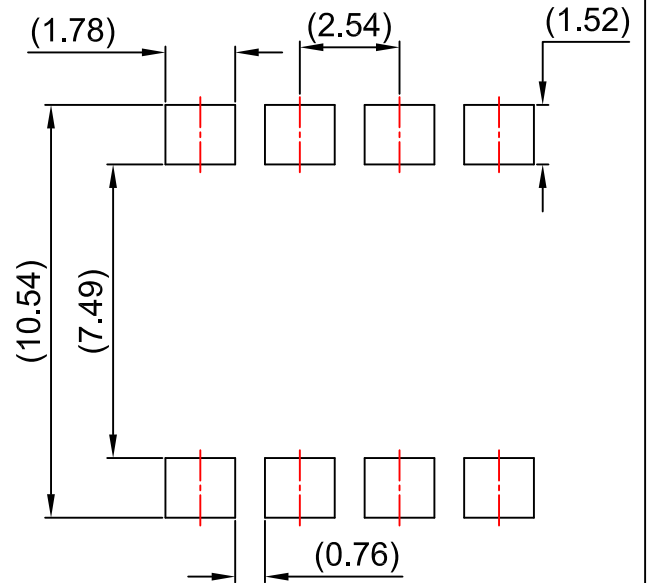
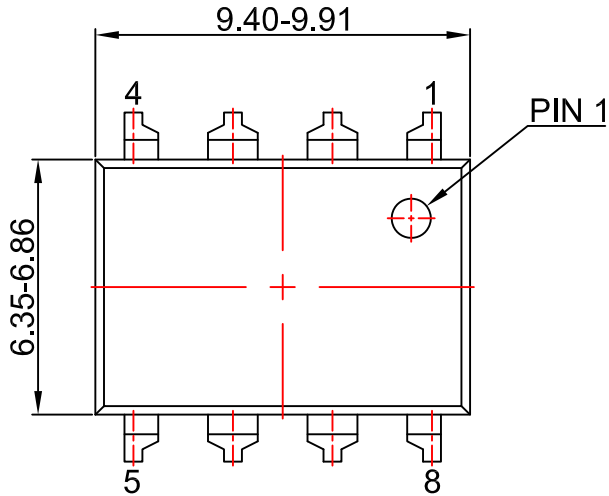


| Symbol | Description | Dimension in mm |
|----------------|------------------------------------|-----------------|
| W | Tape Width | 24.0 ± 0.3 |
| t | Tape Thickness | 0.40 ± 0.1 |
| P ₀ | Sprocket Hole Pitch | 4.0 ± 0.1 |
| D ₀ | Sprocket Hole Diameter | 1.55 ± 0.05 |
| E | Sprocket Hole Location | 1.75 ± 0.10 |
| F | Pocket Location | 11.5 ± 0.1 |
| P ₂ | | 2.0 ± 0.1 |
| P | Pocket Pitch | 16.0 ± 0.1 |
| A ₀ | Pocket Dimensions | 12.80 ± 0.1 |
| B ₀ | | 10.35 ± 0.1 |
| K ₀ | | 5.7 ± 0.1 |
| W ₁ | Cover Tape Width | 21.0 ± 0.1 |
| d | Cover Tape Thickness | 0.1 Maximum |
| | Maximum Component Rotation or Tilt | 10° |
| R | Minimum Bending Radius | 30 |

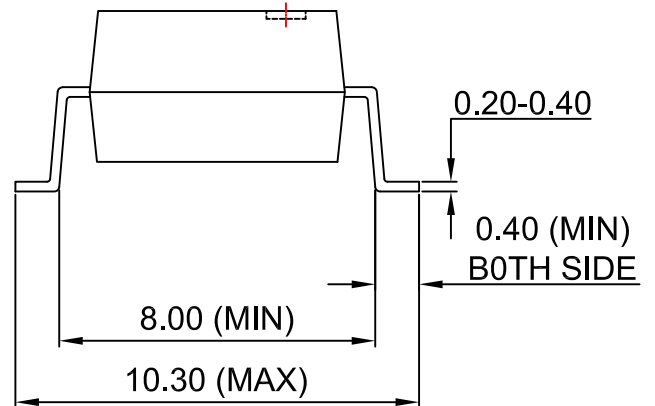
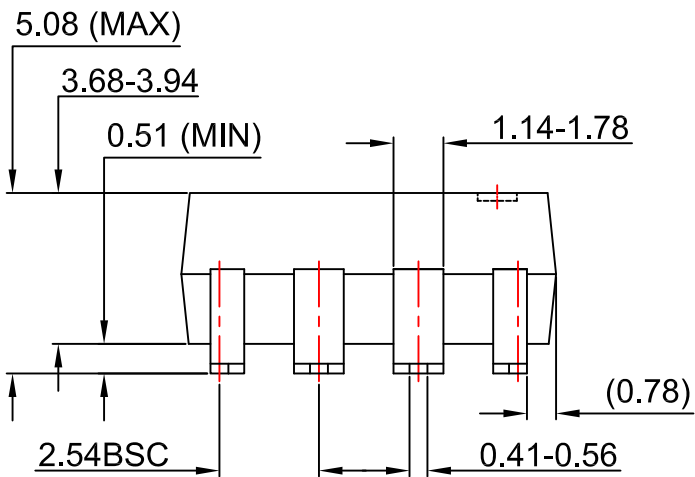


- NOTES:
- A) NO STANDARD APPLIES TO THIS PACKAGE
 - B) ALL DIMENSIONS ARE IN MILLIMETERS.
 - C) DIMENSIONS ARE EXCLUSIVE OF BURRS, MOLD FLASH, AND TIE BAR EXTRUSION
 - D) DRAWING FILENAME AND REVISION: MKT-N08GREV7





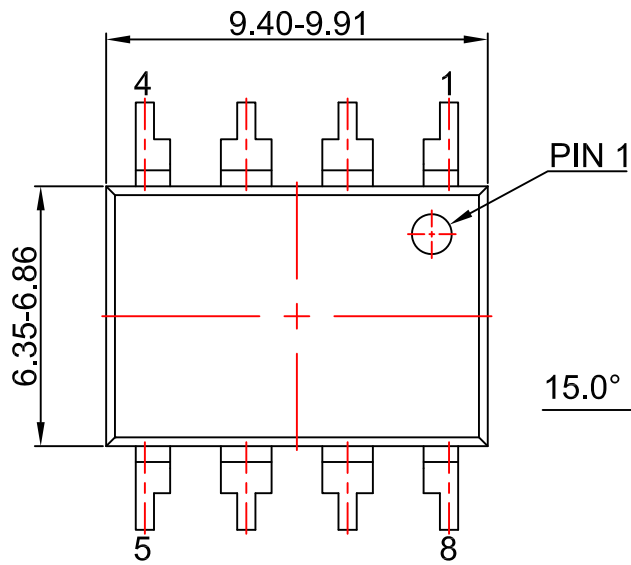
LAND PATTERN RECOMMENDATION



NOTES:

- A) NO STANDARD APPLIES TO THIS PACKAGE
- B) ALL DIMENSIONS ARE IN MILLIMETERS.
- C) DIMENSIONS ARE EXCLUSIVE OF BURRS, MOLD FLASH, AND TIE BAR EXTRUSION
- D) DRAWING FILENAME AND REVISION: MKT-N08Hrev7.



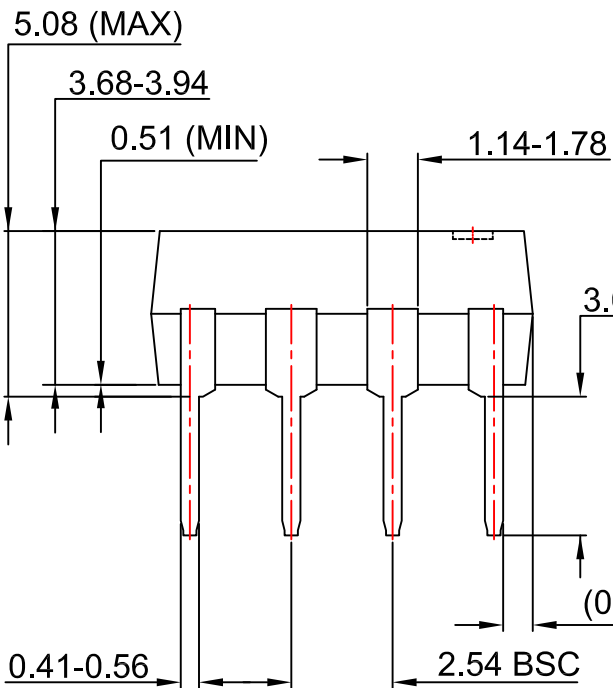


PIN 1

15.0° (MAX)

10.16 (TYP)

0.20-0.40



NOTES:

- A) NO STANDARD APPLIES TO THIS PACKAGE
- B) ALL DIMENSIONS ARE IN MILLIMETERS.
- C) DIMENSIONS ARE EXCLUSIVE OF BURRS, MOLD FLASH, AND TIE BAR EXTRUSION
- D) DRAWING FILENAME AND REVISION: MKT-N08REV7



ON Semiconductor and  are trademarks of Semiconductor Components Industries, LLC dba ON Semiconductor or its subsidiaries in the United States and/or other countries. ON Semiconductor owns the rights to a number of patents, trademarks, copyrights, trade secrets, and other intellectual property. A listing of ON Semiconductor's product/patent coverage may be accessed at www.onsemi.com/site/pdf/Patent-Marking.pdf. ON Semiconductor reserves the right to make changes without further notice to any products herein. ON Semiconductor makes no warranty, representation or guarantee regarding the suitability of its products for any particular purpose, nor does ON Semiconductor assume any liability arising out of the application or use of any product or circuit, and specifically disclaims any and all liability, including without limitation special, consequential or incidental damages. Buyer is responsible for its products and applications using ON Semiconductor products, including compliance with all laws, regulations and safety requirements or standards, regardless of any support or applications information provided by ON Semiconductor. "Typical" parameters which may be provided in ON Semiconductor data sheets and/or specifications can and do vary in different applications and actual performance may vary over time. All operating parameters, including "Typicals" must be validated for each customer application by customer's technical experts. ON Semiconductor does not convey any license under its patent rights nor the rights of others. ON Semiconductor products are not designed, intended, or authorized for use as a critical component in life support systems or any FDA Class 3 medical devices or medical devices with a same or similar classification in a foreign jurisdiction or any devices intended for implantation in the human body. Should Buyer purchase or use ON Semiconductor products for any such unintended or unauthorized application, Buyer shall indemnify and hold ON Semiconductor and its officers, employees, subsidiaries, affiliates, and distributors harmless against all claims, costs, damages, and expenses, and reasonable attorney fees arising out of, directly or indirectly, any claim of personal injury or death associated with such unintended or unauthorized use, even if such claim alleges that ON Semiconductor was negligent regarding the design or manufacture of the part. ON Semiconductor is an Equal Opportunity/Affirmative Action Employer. This literature is subject to all applicable copyright laws and is not for resale in any manner.

PUBLICATION ORDERING INFORMATION

LITERATURE FULFILLMENT:

Literature Distribution Center for ON Semiconductor
19521 E. 32nd Pkwy, Aurora, Colorado 80011 USA
Phone: 303-675-2175 or 800-344-3860 Toll Free USA/Canada
Fax: 303-675-2176 or 800-344-3867 Toll Free USA/Canada
Email: orderlit@onsemi.com

N. American Technical Support: 800-282-9855 Toll Free
USA/Canada
Europe, Middle East and Africa Technical Support:
Phone: 421 33 790 2910
Japan Customer Focus Center
Phone: 81-3-5817-1050

ON Semiconductor Website: www.onsemi.com
Order Literature: <http://www.onsemi.com/orderlit>
For additional information, please contact your local
Sales Representative