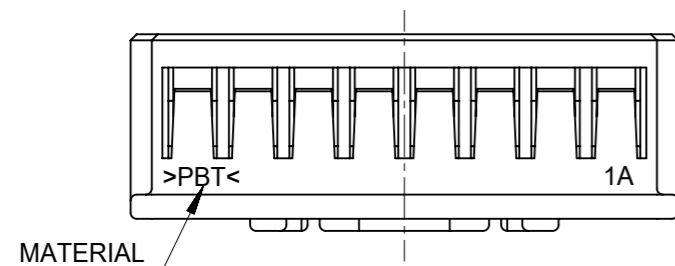
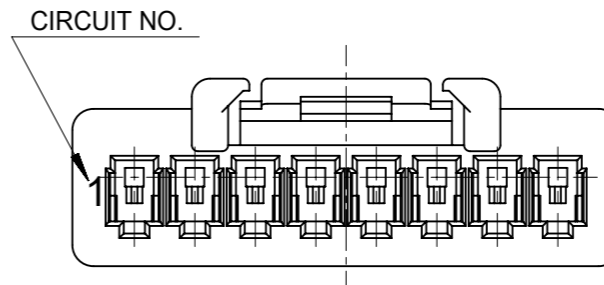
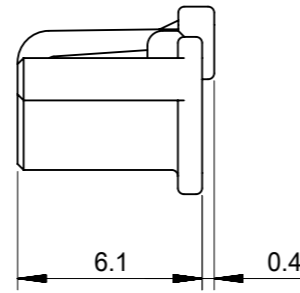
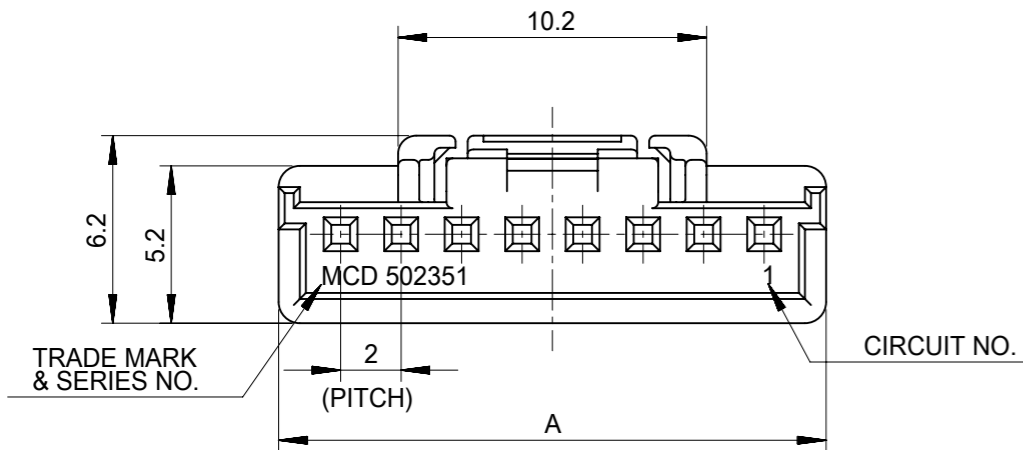


NOTES

- 1. 材質 : PBT UL94V-0
MATERIAL: PBT UL94V-0
- 2. 色 : 白、黒
COLOR: WHITE, BLACK
- 3. 適合端子 : 50212, 50372, 56161, 560085シリーズ
APPLICABLE TERMINAL: 50212, 50372, 56161, 560085 SERIES
- 4. 嵌合相手 : 502352, 560020シリーズ
MATES WITH: 502352, 560020 SERIES
- 5. ELV及びRoHS適合品
ELV AND RoHS COMPLIANT
- 6. 一般公差
GENERAL TOLERANCES
10 UNDER: 0.2
10 OVER 30 UNDER: 0.25
30 OVER: 0.3
ANGULAR: $\pm 3^\circ$



8CKTS

| | | | | | | | |
|-------|-------------|--------------|------|-------------|------|--------------|------|
| BLACK | 32.1 | 502351-1501 | 15 | NATURAL | 32.1 | 502351-1500 | 15 |
| | 30.1 | 502351-1401 | 14 | | 30.1 | 502351-1400 | 14 |
| | 28.1 | 502351-1301 | 13 | | 28.1 | 502351-1300 | 13 |
| | 26.1 | 502351-1201 | 12 | | 26.1 | 502351-1200 | 12 |
| | 24.1 | 502351-1101 | 11 | | 24.1 | 502351-1100 | 11 |
| | 22.1 | 502351-1001 | 10 | | 22.1 | 502351-1000 | 10 |
| | 20.1 | 502351-0901 | 9 | | 20.1 | 502351-0900 | 9 |
| | 18.1 | 502351-0801 | 8 | | 18.1 | 502351-0800 | 8 |
| | 16.1 | 502351-0701 | 7 | | 16.1 | 502351-0700 | 7 |
| | 14.1 | 502351-0601 | 6 | | 14.1 | 502351-0600 | 6 |
| | 12.1 | 502351-0501 | 5 | | 12.1 | 502351-0500 | 5 |
| | 10.1 | 502351-0401 | 4 | | 10.1 | 502351-0400 | 4 |
| | 8.1 | 502351-0301 | 3 | | 8.1 | 502351-0300 | 3 |
| 8.0 | 502351-0201 | 2 | 8.0 | 502351-0200 | 2 | | |
| COLOR | A | MATERIAL NO. | CKTS | COLOR | A | MATERIAL NO. | CKTS |

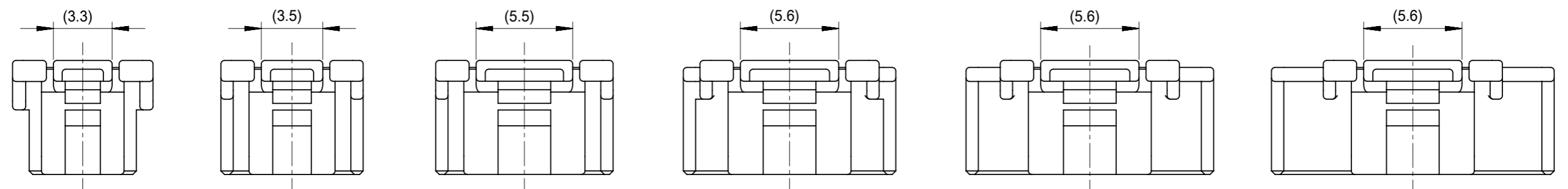
THIS DRAWING CONTAINS INFORMATION THAT IS PROPRIETARY TO MOLEX ELECTRONIC TECHNOLOGIES, LLC AND SHOULD NOT BE USED WITHOUT WRITTEN PERMISSION

| | | | | | | | |
|--|--------------|-----------------------------|---------|--|-----------------|----------------|--------------|
| DIMENSION UNITS mm | SCALE 4:1 | CURRENT REV DESC: | | molex | | | |
| GENERAL TOLERANCES (UNLESS SPECIFIED) | | EC NO: 177053 | | | | | |
| ANGULAR TOL \pm ° | | DRWN: RHORI 2018/05/21 | | WIRE TO BOARD CONN. RECEPTACLE HOUSING | | | |
| 4 PLACES \pm | | CHK'D: HKOMATSU 2018/05/23 | | PRODUCT CUSTOMER DRAWING | | | |
| 3 PLACES \pm | | APPR: TOSADA 2018/05/23 | | DOCUMENT NUMBER | | | |
| 2 PLACES \pm | | INITIAL REVISION: | | SD-502351-001 | | | |
| 1 PLACE \pm | | DRWN: SHSHIBATA 2008/01/23 | | DOC TYPE DOC PART REVISION | | | |
| 0 PLACES \pm | | APPR: AKANESHIGE 2008/04/23 | | PSD 001 J | | | |
| DRAFT WHERE APPLICABLE MUST REMAIN WITHIN DIMENSIONS | | THIRD ANGLE PROJECTION | DRAWING | SERIES | MATERIAL NUMBER | CUSTOMER | SHEET NUMBER |
| | | | A3-SIZE | 502351 | SEE CHART | GENERAL MARKET | 1 OF 3 |

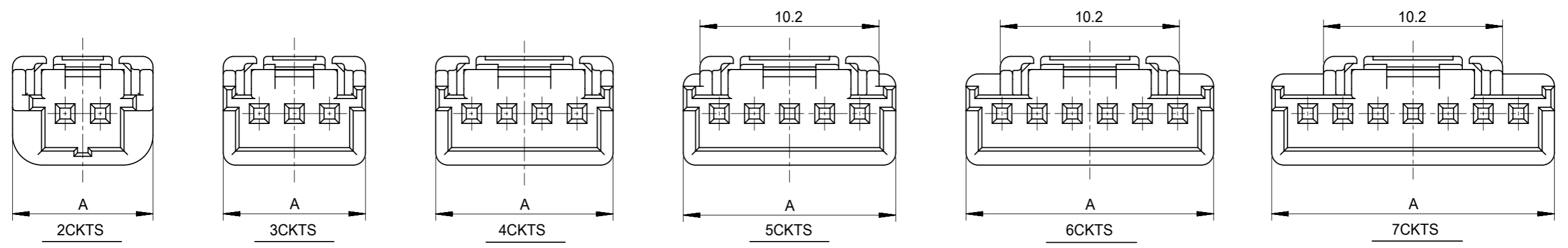
INITIAL REVISION:
 DRWN SHSHIBATA 2007/12/18
 CHECK HKOMATSU 2007/12/18
 APPR MAYAMAMOTO 2010/12/02

9 8 7 6 5 4 3 2 1

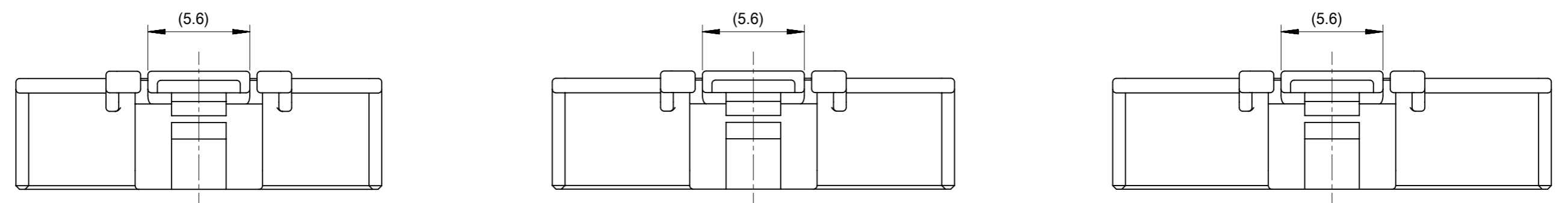
E



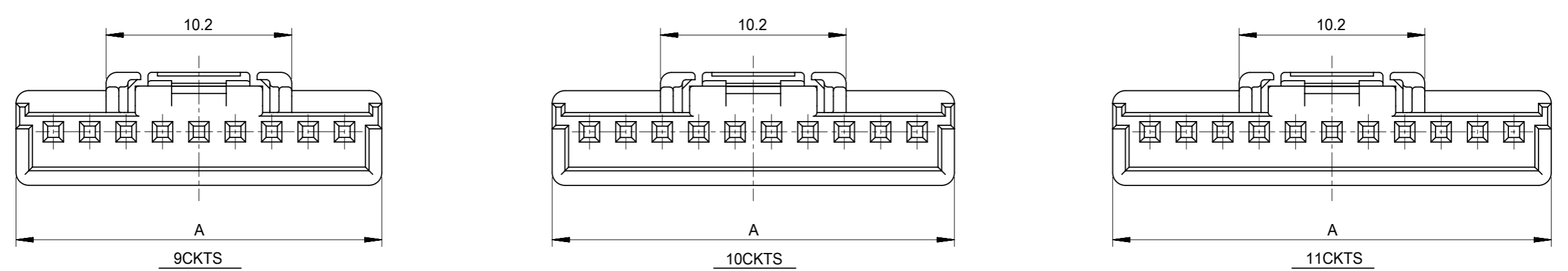
D



C



B



A

| | | | | | |
|---|-------|-------------------------------|--|--|--|
| THIS DRAWING CONTAINS INFORMATION THAT IS PROPRIETARY TO MOLEX ELECTRONIC TECHNOLOGIES, LLC AND SHOULD NOT BE USED WITHOUT WRITTEN PERMISSION | | CURRENT REV DESC: | | molex | |
| DIMENSION UNITS | SCALE | EC NO: 177053 | | | |
| mm | 4:1 | DRWN: RHORI 2018/05/21 | | WIRE TO BOARD CONN. RECEPTACLE HOUSING | |
| GENERAL TOLERANCES (UNLESS SPECIFIED) | | CHK'D: HKOMATSU 2018/05/23 | | PRODUCT CUSTOMER DRAWING | |
| ANGULAR TOL | ± | APPR: TOSADA 2018/05/23 | | DOCUMENT NUMBER | |
| 4 PLACES | ± | INITIAL REVISION: | | SD-502351-001 | |
| 3 PLACES | ± | DRWN: SHSHIBATA 2008/01/23 | | DOC TYPE | |
| 2 PLACES | ± | APPR: AKANESHIGE 2008/04/23 | | PSD | |
| 1 PLACE | ± | DRAFT WHERE APPLICABLE | | DOC PART | |
| 0 PLACES | ± | MUST REMAIN WITHIN DIMENSIONS | | 001 | |
| THIRD ANGLE PROJECTION | | DRAWING | | REVISION | |
| A3-SIZE | | SERIES | | J | |
| 502351 | | MATERIAL NUMBER | | SHEET NUMBER | |
| SEE CHART | | CUSTOMER | | 2 OF 3 | |
| GENERAL MARKET | | | | | |

INITIAL REVISION:
 DRWN SHSHIBATA 2007/12/18
 CHECK HKOMATSU 2007/12/18
 APPR MAYAMAMOTO 2010/12/02

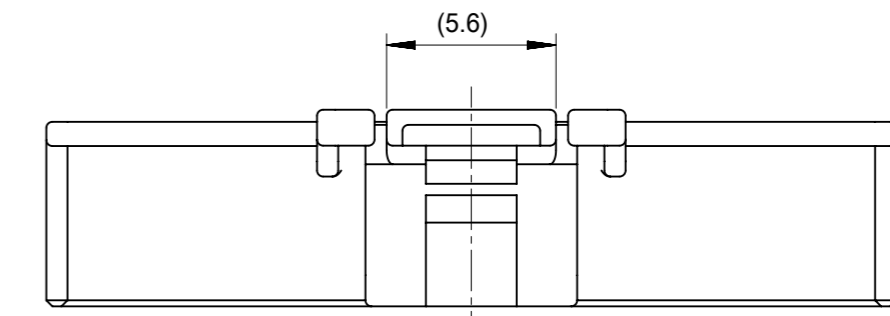
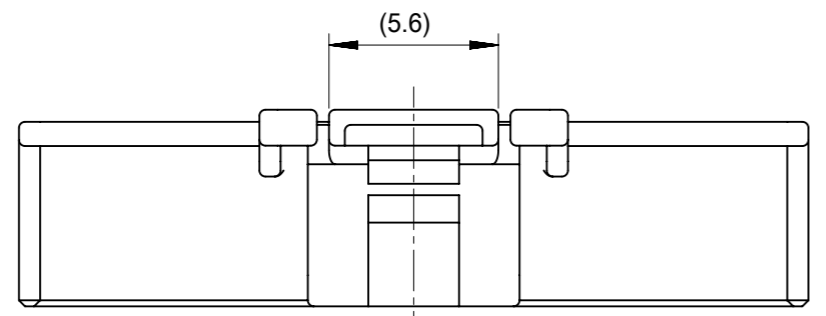
DOCUMENT STATUS P1 RELEASE DATE 2018/05/23 09:22:49

9 8 7 6 5 4 3 2 1

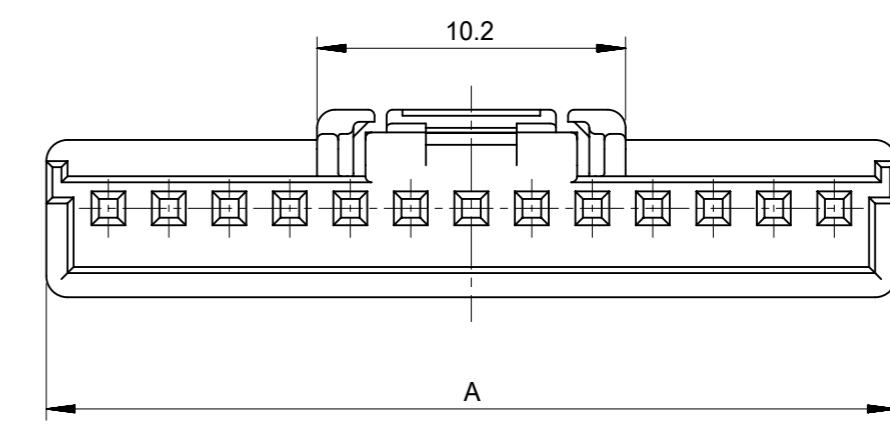
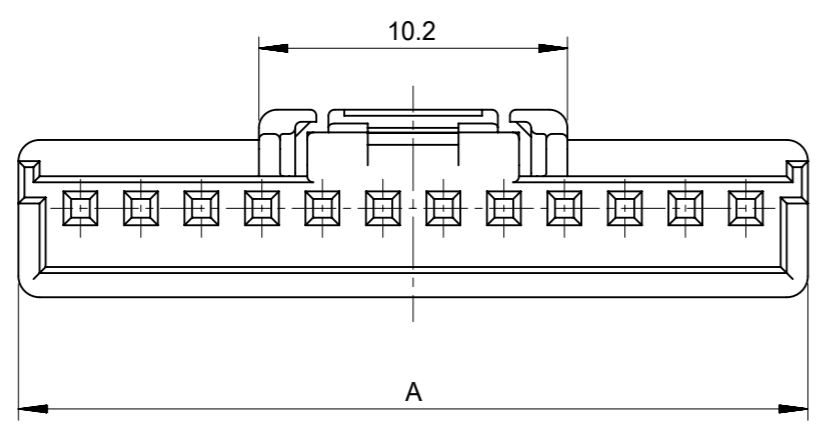
FORMAT: master-ib-prod-A3
 REVISION: 11
 DATE: 2018/01/18

9 8 7 6 5 4 3 2 1

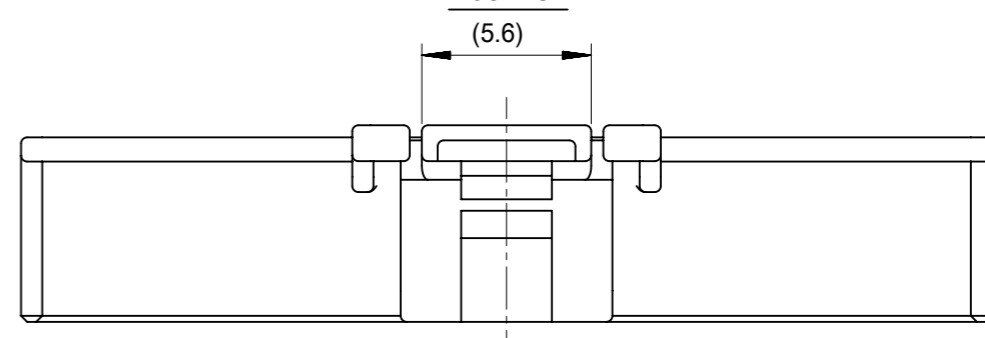
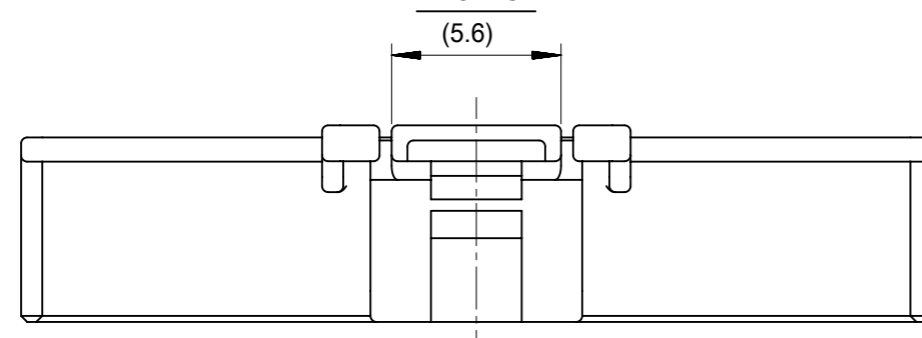
E



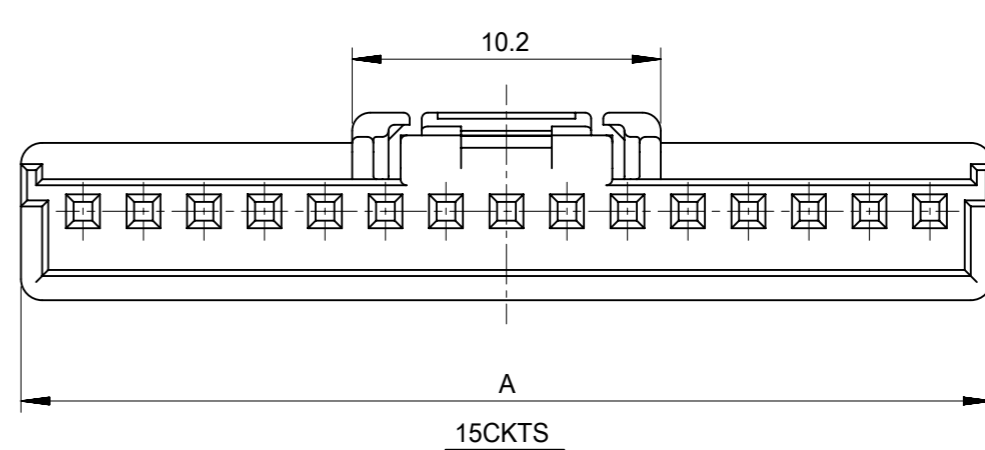
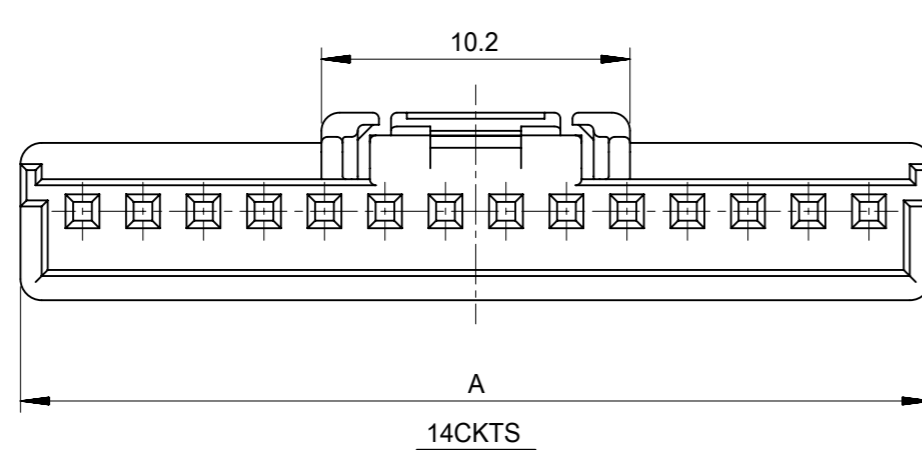
D



C



B



A

| | | | | | | | | | | | |
|---|--|-------|--|------------------------|--|------------|--|--------------------------|--|--|--|
| THIS DRAWING CONTAINS INFORMATION THAT IS PROPRIETARY TO MOLEX ELECTRONIC TECHNOLOGIES, LLC AND SHOULD NOT BE USED WITHOUT WRITTEN PERMISSION | | | | | | | | | | | |
| DIMENSION UNITS | | SCALE | | CURRENT REV DESC: | | | | | | molex | |
| mm | | 4:1 | | | | | | | | | |
| GENERAL TOLERANCES (UNLESS SPECIFIED) | | | | EC NO: 177053 | | 2018/05/21 | | 2.0MM PITCH | | WIRE TO BOARD CONN. RECEPTACLE HOUSING | |
| ANGULAR TOL ± ° | | | | DRWN: RHORI | | 2018/05/23 | | PRODUCT CUSTOMER DRAWING | | | |
| 4 PLACES ± | | | | CHK'D: HKOMATSU | | 2018/05/23 | | DOCUMENT NUMBER | | DOC TYPE DOC PART REVISION | |
| 3 PLACES ± | | | | APPR: TOSADA | | 2018/05/23 | | SD-502351-001 | | PSD 001 J | |
| 2 PLACES ± | | | | INITIAL REVISION: | | 2008/01/23 | | MATERIAL NUMBER | | CUSTOMER | |
| 1 PLACE ± | | | | DRWN: SHSHIBATA | | 2008/04/23 | | SEE CHART | | GENERAL MARKET | |
| 0 PLACES ± | | | | APPR: AKANESHIGE | | 2008/04/23 | | DRAWING | | SHEET NUMBER | |
| DRAFT WHERE APPLICABLE MUST REMAIN WITHIN DIMENSIONS | | | | THIRD ANGLE PROJECTION | | A3-SIZE | | SERIES | | 502351 | |

| | | |
|-------------------|------------|------------|
| INITIAL REVISION: | | |
| DRWN | SHSHIBATA | 2007/12/18 |
| CHECK | HKOMATSU | 2007/12/18 |
| APPR | MAYAMAMOTO | 2010/12/02 |

| | | | | |
|-----------------|----|--------------|------------|----------|
| DOCUMENT STATUS | P1 | RELEASE DATE | 2018/05/23 | 09:22:49 |
|-----------------|----|--------------|------------|----------|

9 8 7 6 5 4 3 2 1

FORMAT: master-b-prod-A3
REVISION: 11
DATE: 2018/01/18