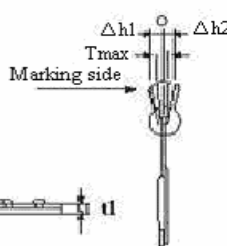
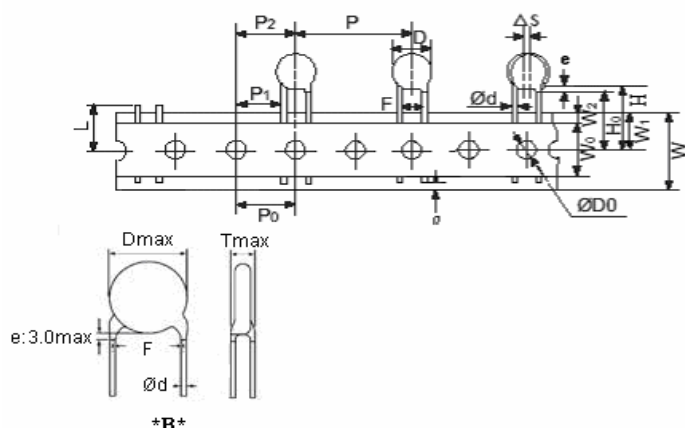


Product Specification 產品規格圖

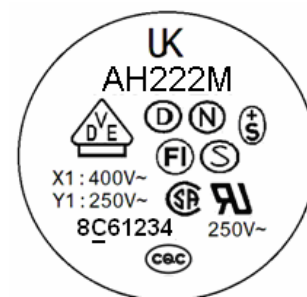
CUSTOMER 客戶			SAP PART NO. :	<b>YV0AH222M080BAMDOB</b>	
CUSTOMER P/N 客戶料號			REV. 修正		
SPEC. DATE 日期	2018/10/19	DRAWN BY 經手人	YU ZHANG 2018/10/19	APPROVAL 核准	XJ XIAO 2018/10/19
C A P. 電容量	2200 p F TOL.允差 ±20%		WORKING VOLTAGE 工作電壓		X1: 400 VAC Y1: 250 VAC
D.F. 散逸因素	5.0% MAX. AT 1KHz±20% 測試 1.0 Vrms		TEST VOLTAGE 測試電壓		4000 VAC
I . R. 絕緣電阻	10000MΩMIN. at DC500±50V within 60±5sec of charging		T. C. 溫度特性		Y5V -80% ~ 30%

● 25.4mm pitch/lead spacing 10.0mm taping

Lead Code: \*BAMDO



MARKING



Item	Symbol	Dimensions (mm)
Pitch of component	P	25.4±2
Pitch of sprocket	P0	12.7±0.3
Lead spacing	F	10.0±1.0
Length from hole center to component center	P2	12.7±1.5
Length from hole center to lead	P1	7.7±1.5
Body diameter	D	9.0 max
Deviation along tape, left or right	ΔS	0±2.0
Carrier tape width	W	18.0 +1/-0.5
Position of sprocket hole	W1	9.0±0.5
Lead distance between the bottom of body and the center of sprocket hole	H	20.0+1.5/-1.0
Length from the terminal of the lead wire to the edge of carrier tape	ℓ	2.0min (Or the end of lead wire may be inside the hole-down tape.)
Diameter of sprocket hole	D0	4.0±0.2
Lead diameter	d	0.55±0.05
Total tape thickness	t1	0.6±0.3
Total thickness, tape and lead wire	t2	1.5 max.
Deviation across tape	Δh1/Δh2	2.0 max.
Portion to cut in case of defect	L	11.0 max.
Hole-down tape width	W0	8.0 min.
Hole-down tape distortion	W2	1.5±1.5.
Coating extension on leads	e	3.0 max
Body thickness	T	5.5 max