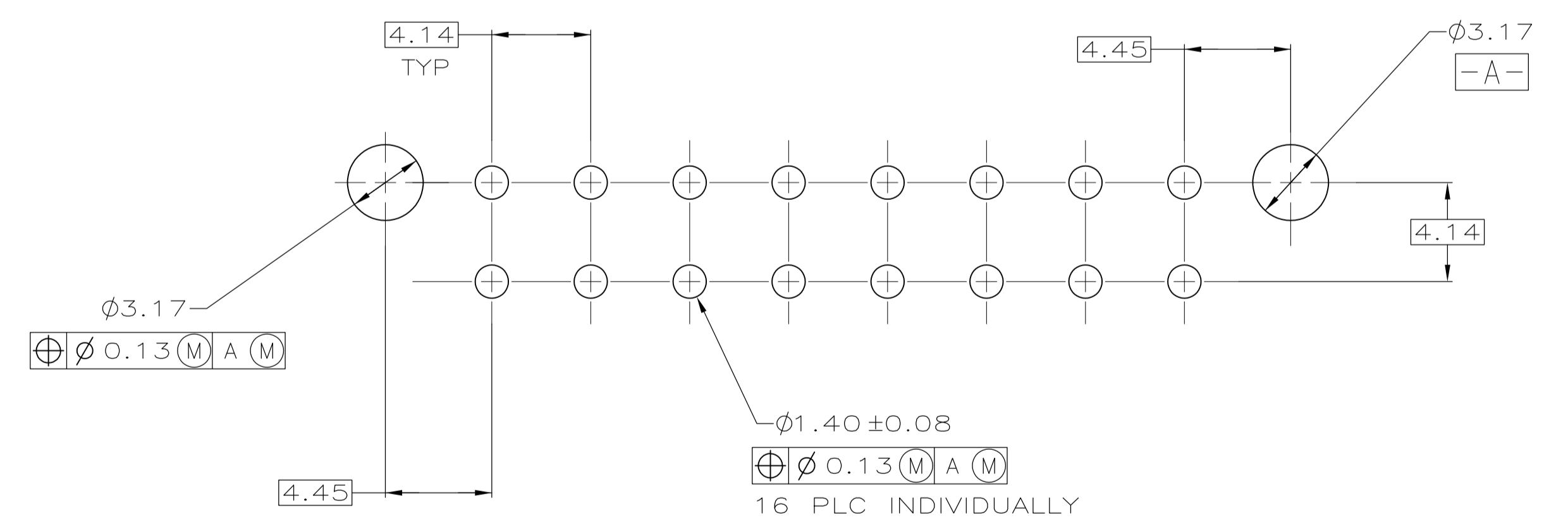
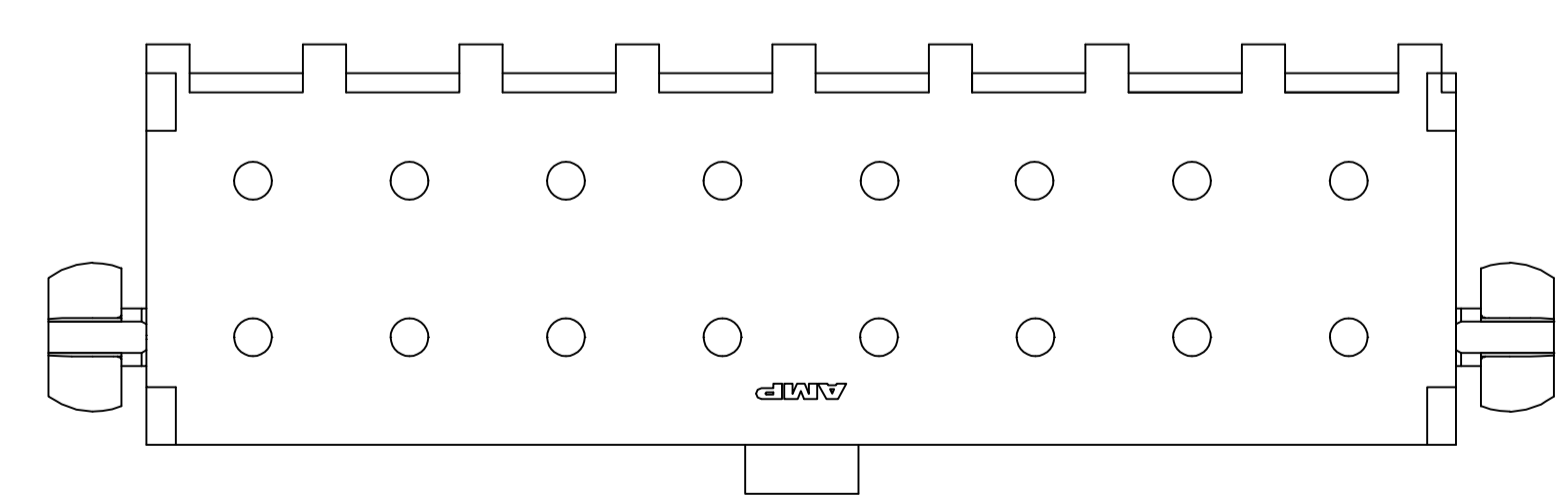
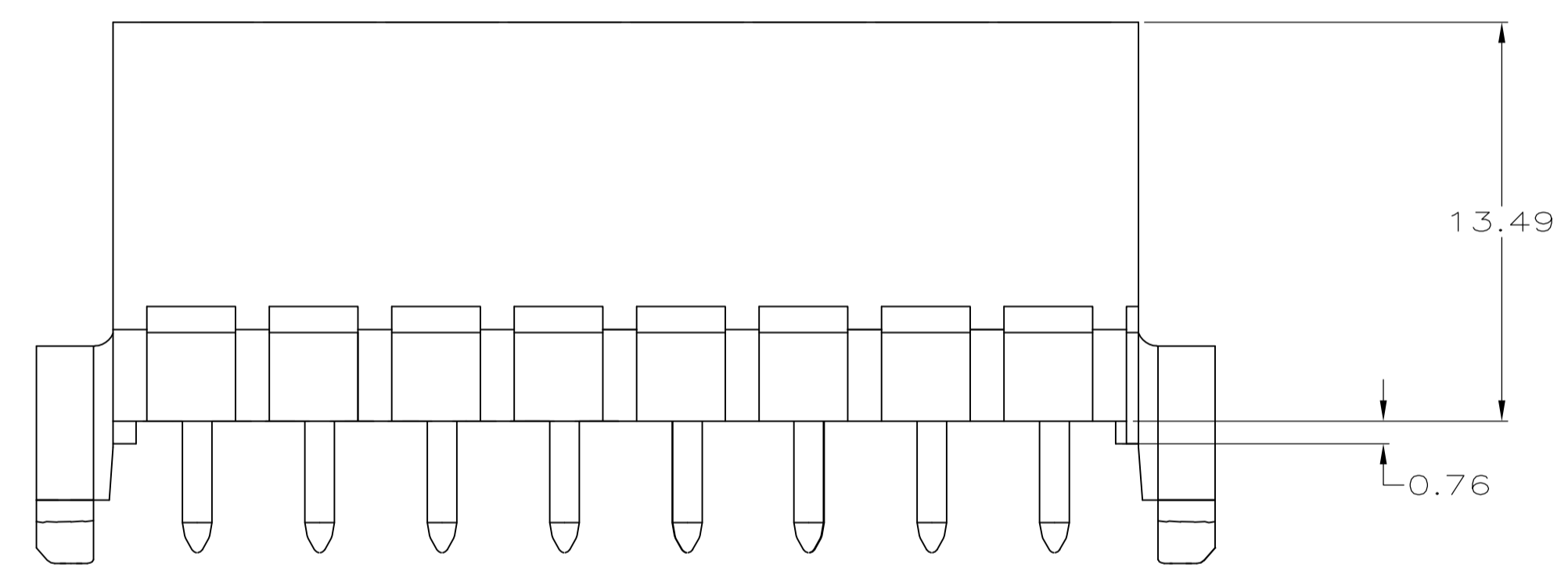
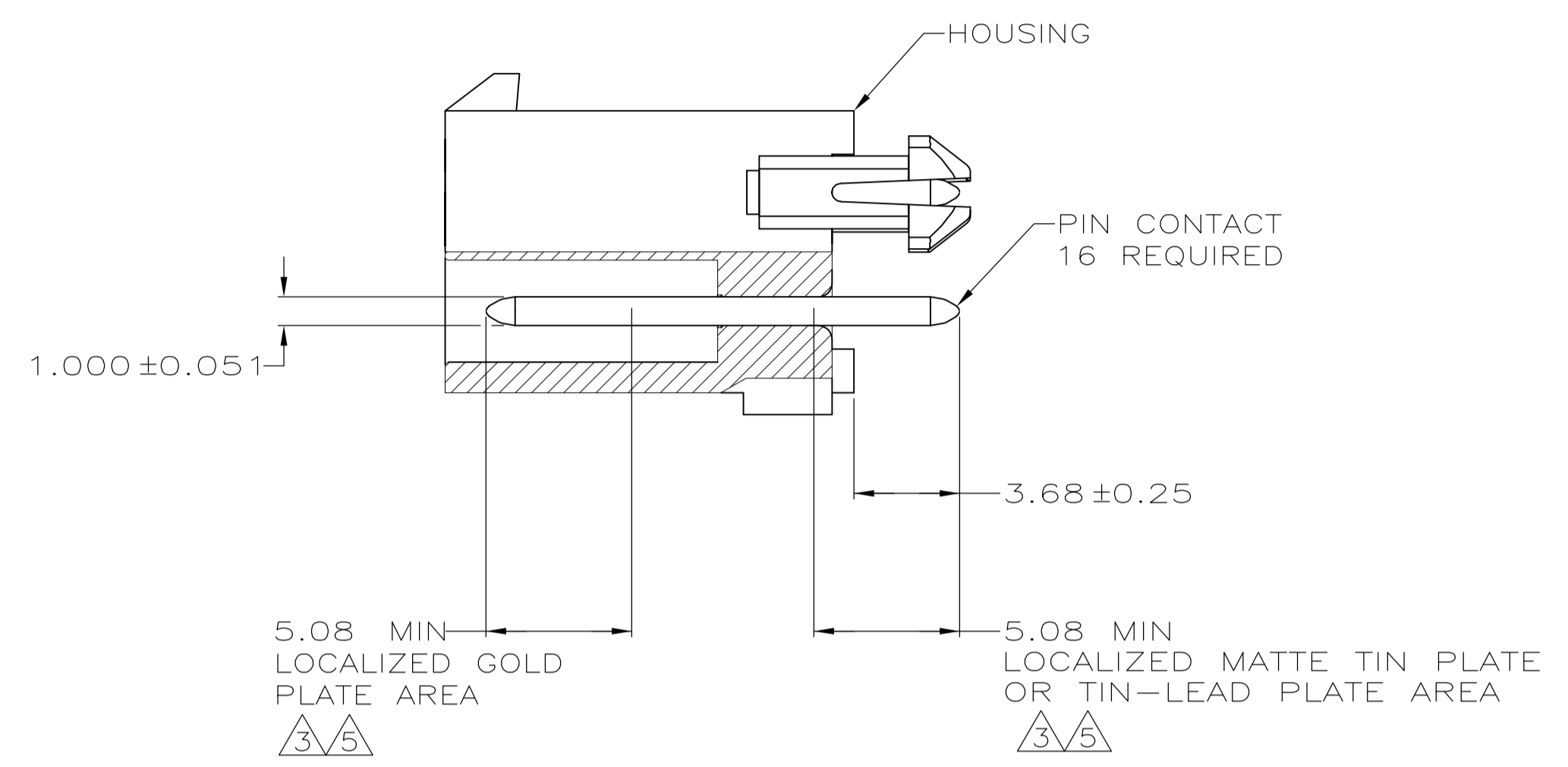
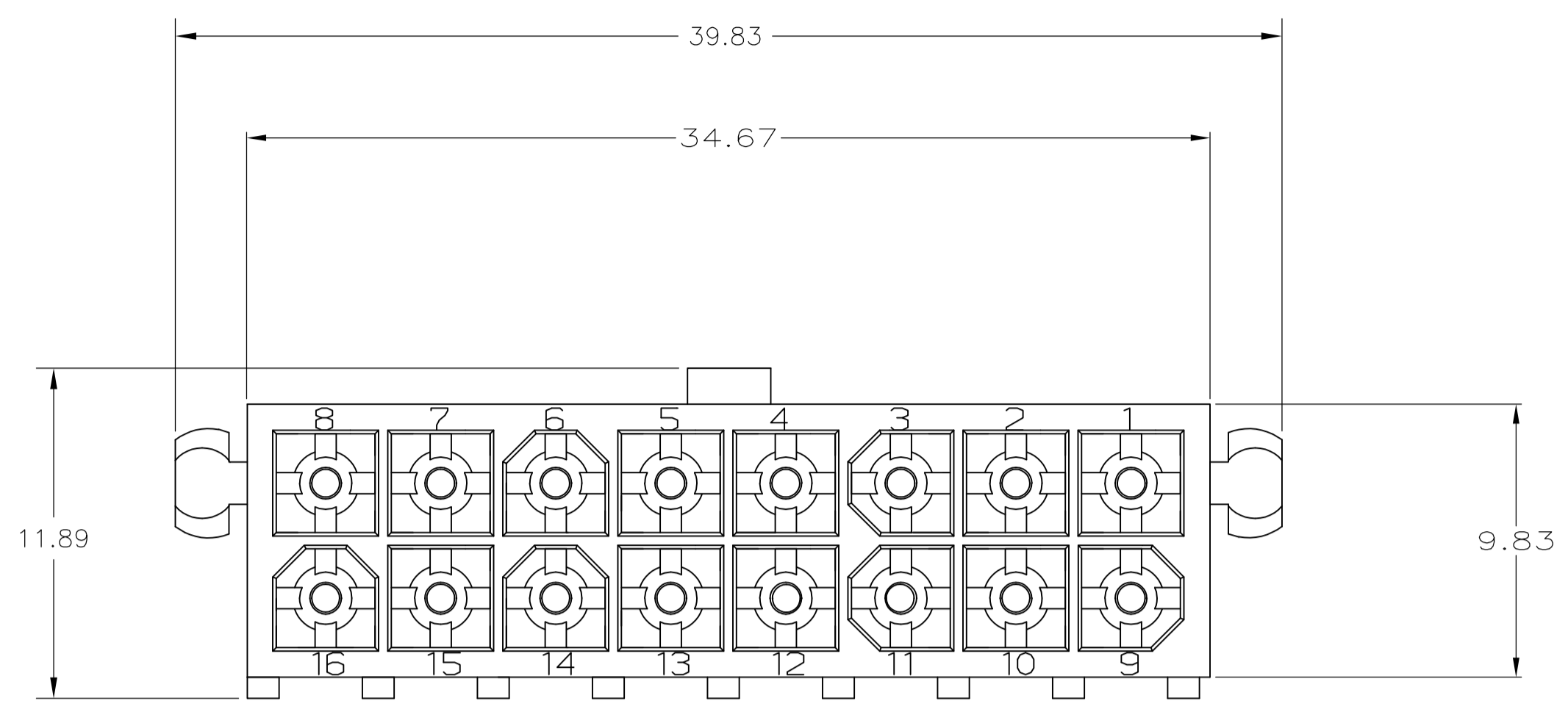


LOC		DIST		REVISIONS			
F	LTR	DESCRIPTION	DATE	DWN	APVD		
F		REVISED PER ECR-15-010337	24JUL2015	RK	SC		

- PINS TO COMPLY WITH AMP SOLDERABILITY SPEC. 108-11-3.
- 0.00381 MIN MATTE TIN LEAD OVER 0.00127 MIN NICKEL.
- 0.00076 MIN GOLD PLATE IN THE LOCALIZED PLATE AREA, 0.00381 MATTE TIN LEAD IN THE LOCALIZED PLATE AREA, BOTH OVER 0.00127 MIN NICKEL.
- 0.00381 MIN MATTE TIN OVER 0.00127 MIN NICKEL.
- 0.00076 MIN GOLD PLATE IN THE LOCALIZED PLATE AREA, 0.00381 MATTE TIN IN THE LOCALIZED PLATE AREA, BOTH OVER 0.00127 MIN NICKEL.



RECOMMENDED MOUNTING HOLE PATTERN FOR 1.57 THICK P.C. BOARD

MATERIAL	FINISH	MATERIAL	COLOR	PART NO.
BRASS, GOLD	5	NYLON, UL94V-0	WHITE	1-794075-1
BRASS, TIN	4	NYLON, UL94V-0	WHITE	1-794075-0
BRASS, GOLD	3	NYLON, UL94V-0	WHITE	794075-2
BRASS, TIN-LEAD	2	NYLON, UL94V-0	WHITE	794075-1

THIS DRAWING IS A CONTROLLED DOCUMENT.

DIMENSIONS: mm	TOLERANCES UNLESS OTHERWISE SPECIFIED:	DRAWING NO. 09JUN05	REVISED BY R. JONES 29JUL2003
0. PLC ± -	1. PLC ± -	NAME	TE Connectivity
2. PLC ± 0.13	3. PLC ± -	APPLICATION SPEC	HEADER ASSEMBLY, CLOSED BOTTOM, 16 CKT, DOUBLE ROW VERTICAL, MINI UNIVERSAL MATE-N-LOK
4. PLC ± -	ANGLES ± -	SIZE	A1
MATERIAL -	FINISH -	WEIGHT -	00779 C=794075
CUSTOMER DRAWING		SCALE 5:1	SHEET 1 OF 1 REV F