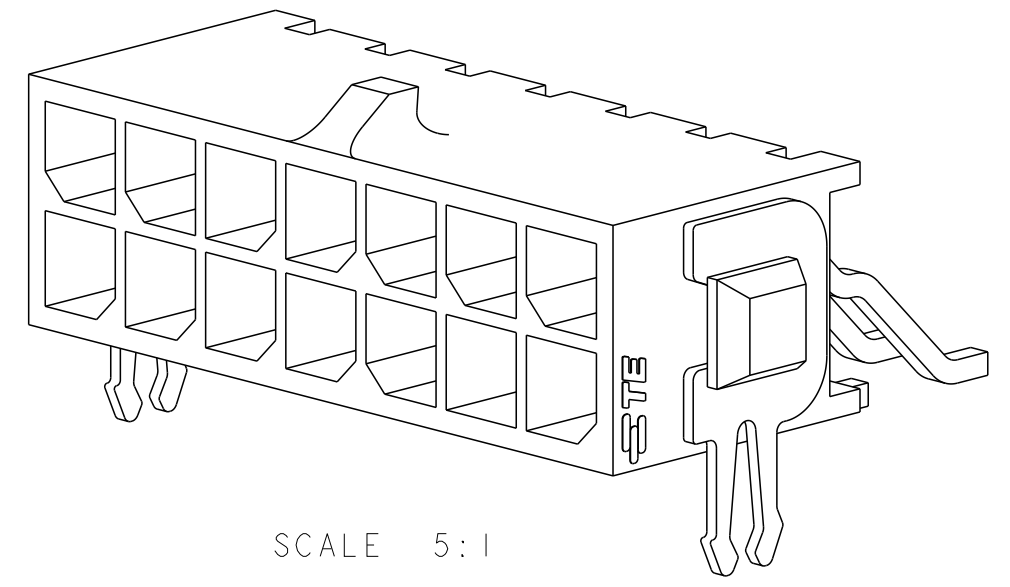
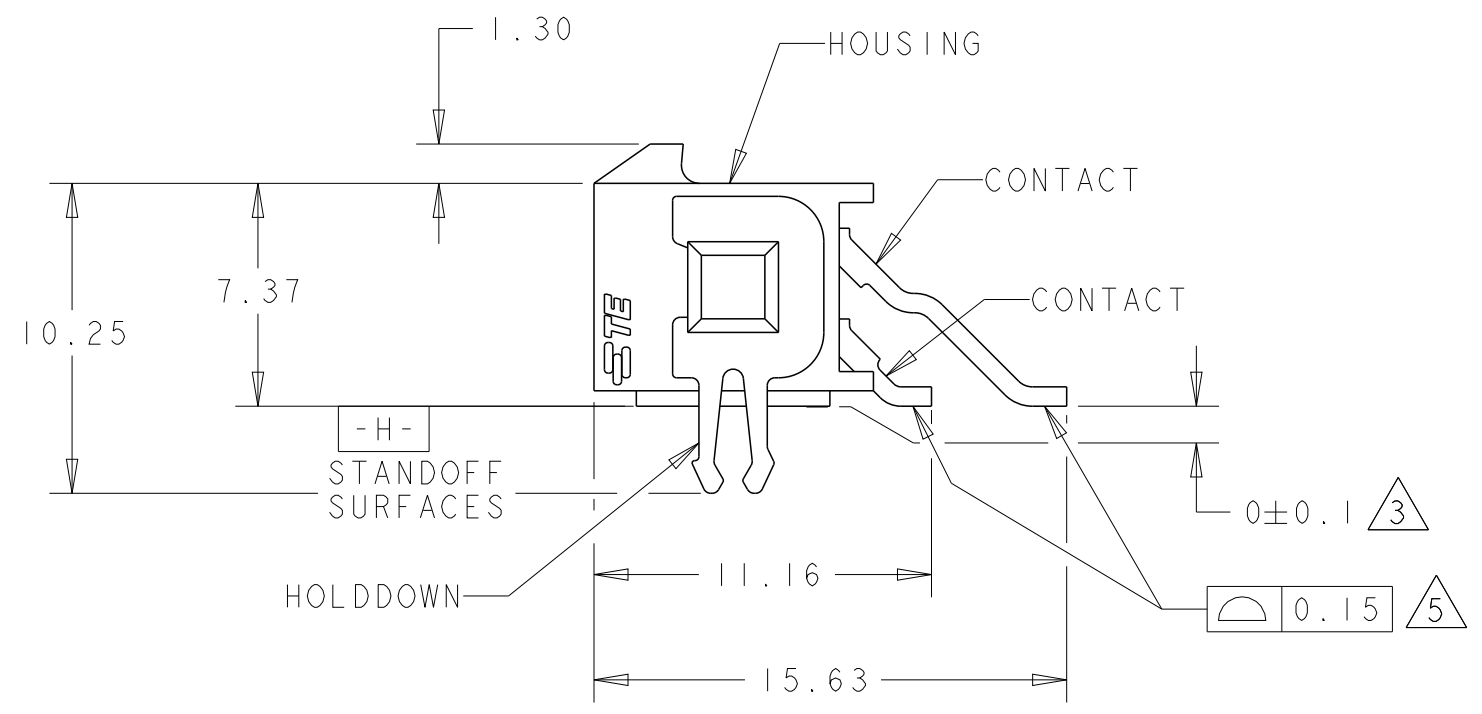
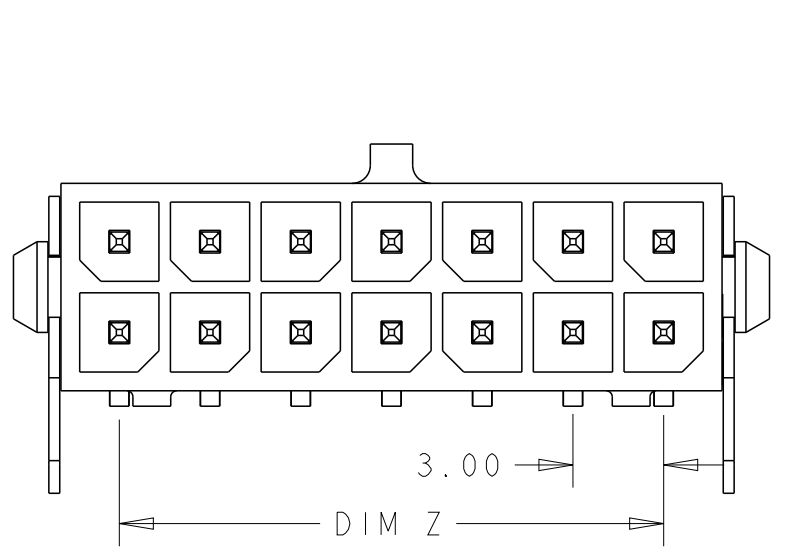
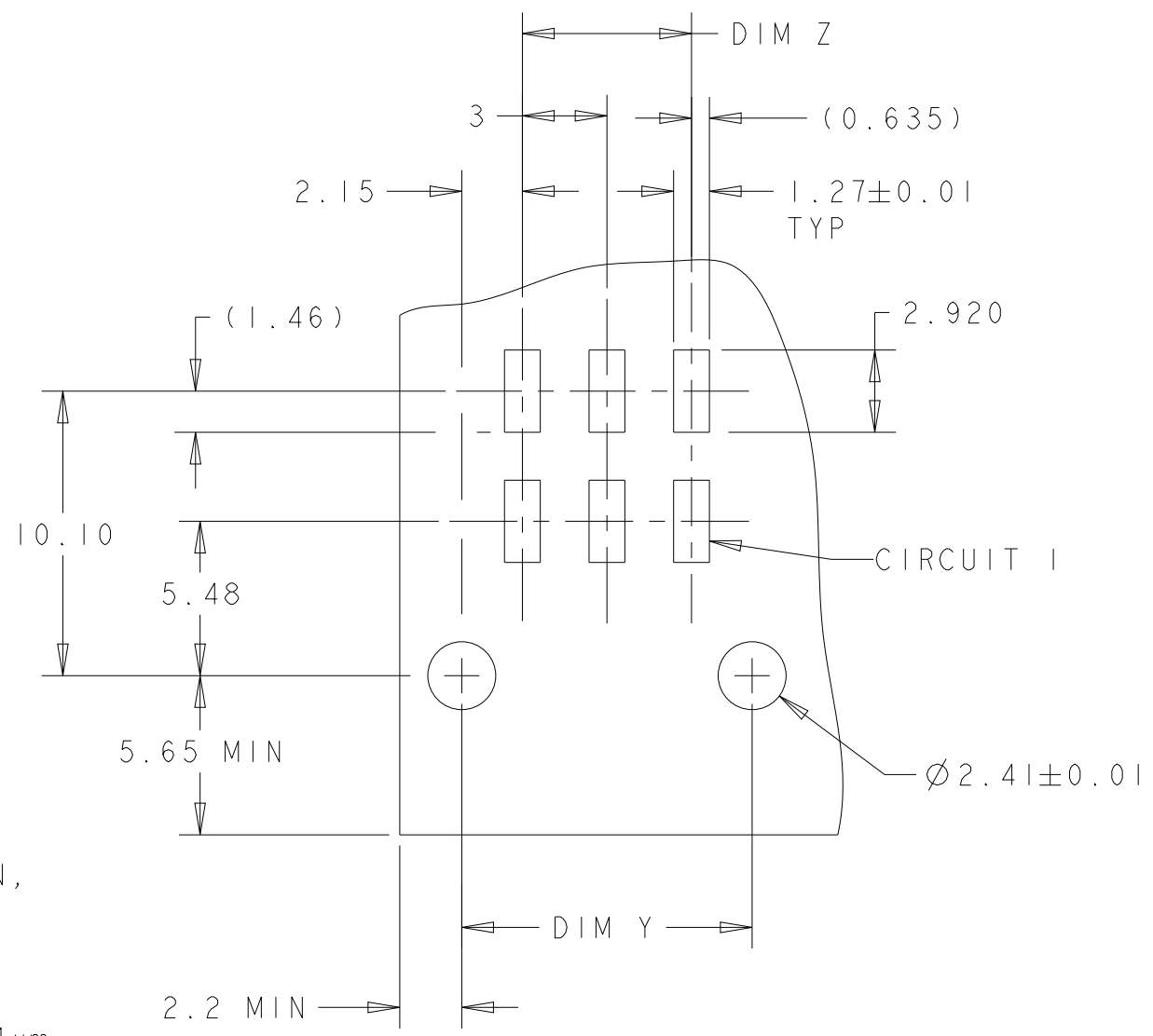
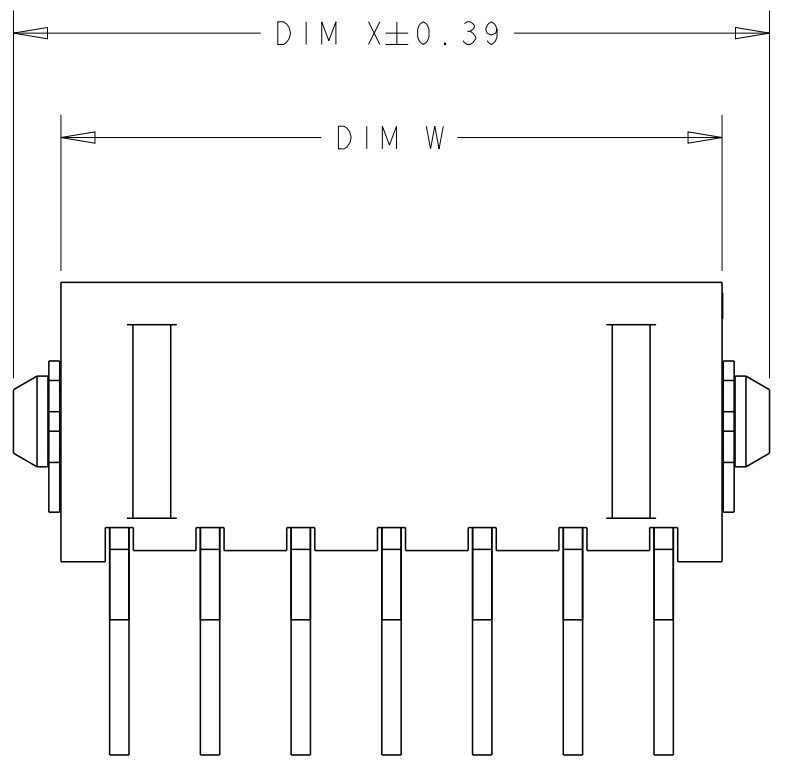


THIS DRAWING IS UNPUBLISHED. RELEASED FOR PUBLICATION 20
 © COPYRIGHT 20 BY - ALL RIGHTS RESERVED.

| REVISIONS | | | | | |
|-----------|-----|---------------------------|-----------|-----|------|
| P | LTR | DESCRIPTION | DATE | DWN | APVD |
| | G1 | REVISED PER ECR-16-011506 | 27JUN2017 | NK | CX |



SCALE 5:1



RECOMMENDED PCB LAYOUT (COMPONENT SIDE)

- 1 MATERIAL;
 CONTACTS - BRASS.
 HOUSING - UL 94V-0 RATED HIGH TEMP NYLON,
 COLOR: BLACK.
 HOLDDOWNS - PHOSPHOR BRONZE.
- 2 PLATING;
 CONTACTS - 0.38µm MINIMUM GOLD OVER 2.54µm
 MINIMUM NICKEL ON MATING AREA.
 2.54µm TIN-LEAD MINIMUM OVER 2.54µm
 NICKEL MINIMUM ON SOLDER TAILS.
 HOLDDOWNS - 2.54µm TIN LEAD.
- 3 DIMENSION APPLIES TO SOLDER TAIL SURFACES
 AND STANDOFF SURFACES.
- 4 RECOMMENDED PC BOARD THICKNESS OF 1.57.
- 5 ALL SOLDER TAILS.
- 6 PLATING;
 CONTACTS - 0.38µm MINIMUM GOLD OVER 2.54µm
 MINIMUM NICKEL ON MATING AREA.
 2.54µm MATTE TIN MINIMUM OVER 2.54µm
 NICKEL MINIMUM ON SOLDER TAILS.
 HOLDDOWNS - 2.54µm MATTE TIN.

| | | | | | | |
|---|-------|-------|-------|-------|----|-----------------------|
| 6 | 36.86 | 37.30 | 33.00 | 40.00 | 24 | 5-794625-4 |
| 6 | 33.86 | 34.30 | 30.00 | 37.00 | 22 | 5-794625-2 |
| 6 | 30.86 | 31.30 | 27.00 | 34.00 | 20 | 5-794625-0 |
| 6 | 27.86 | 28.30 | 24.00 | 31.00 | 18 | 4-794625-8 |
| 6 | 24.86 | 25.30 | 21.00 | 28.00 | 16 | 4-794625-6 |
| 6 | 21.86 | 22.30 | 18.00 | 25.00 | 14 | 4-794625-4 |
| 6 | 18.86 | 19.30 | 15.00 | 22.00 | 12 | 4-794625-2 |
| 6 | 15.86 | 16.30 | 12.00 | 19.00 | 10 | 4-794625-0 |
| 6 | 12.86 | 13.30 | 9.00 | 16.00 | 8 | 3-794625-8 |
| 6 | 9.86 | 10.30 | 6.00 | 13.00 | 6 | 3-794625-6 |
| 6 | 6.86 | 7.30 | 3.00 | 10.00 | 4 | 3-794625-4 |
| 6 | 3.86 | 4.30 | - | 7.00 | 2 | 3-794625-2 |
| 2 | 36.86 | 37.30 | 33.00 | 40.00 | 24 | 2-794625-4 |
| 2 | 33.86 | 34.30 | 30.00 | 37.00 | 22 | 2-794625-2 |
| 2 | 30.86 | 31.30 | 27.00 | 34.00 | 20 | 2-794625-0 |
| 2 | 27.86 | 28.30 | 24.00 | 31.00 | 18 | +794625-8 |
| 2 | 24.86 | 25.30 | 21.00 | 28.00 | 16 | +794625-6 |
| 2 | 21.86 | 22.30 | 18.00 | 25.00 | 14 | +794625-4 |
| 2 | 18.86 | 19.30 | 15.00 | 22.00 | 12 | +794625-2 |
| 2 | 15.86 | 16.30 | 12.00 | 19.00 | 10 | +794625-0 |
| 2 | 12.86 | 13.30 | 9.00 | 16.00 | 8 | 794625-8 |
| 2 | 9.86 | 10.30 | 6.00 | 13.00 | 6 | 794625-6 |
| 2 | 6.86 | 7.30 | 3.00 | 10.00 | 4 | 794625-4 |
| 2 | 3.86 | 4.30 | - | 7.00 | 2 | 794625-2 |

| | | | | | | |
|--------------------------|--|--|--|--|--|--|
| SUPERSEDED BY 5-794625-4 | | | | | | |
| SUPERSEDED BY 5-794625-2 | | | | | | |
| SUPERSEDED BY 5-794625-0 | | | | | | |
| SUPERSEDED BY 4-794625-8 | | | | | | |
| SUPERSEDED BY 4-794625-6 | | | | | | |
| SUPERSEDED BY 4-794625-4 | | | | | | |
| SUPERSEDED BY 4-794625-2 | | | | | | |
| SUPERSEDED BY 4-794625-0 | | | | | | |
| SUPERSEDED BY 3-794625-8 | | | | | | |
| SUPERSEDED BY 3-794625-6 | | | | | | |
| SUPERSEDED BY 3-794625-4 | | | | | | |
| SUPERSEDED BY 3-794625-2 | | | | | | |

| FINISH | DIM W | DIM Y | DIM Z | DIM X | NO. OF POSN. | PART NUMBER |
|--------|-------|-------|-------|-------|--------------|-------------|
|--------|-------|-------|-------|-------|--------------|-------------|

THIS DRAWING IS A CONTROLLED DOCUMENT.

DWN: K. WHITAKER 19MAR2003
 CHK: C. JONES 19MAR2003
 APVD: C. JONES 19MAR2003

TE Connectivity

NAME: SURFACE MOUNT, RIGHT ANGLE, MECHANICAL HOLDDOWN, ASSEMBLY, 15 GOLD HEADER DUAL ROW, MICRO MATE-N-LOK™

SIZE: A2 CAGE CODE: - DRAWING NO: C-794625 RESTRICTED TO: -

MATERIAL: SEE TABLE

WEIGHT: -

CUSTOMER DRAWING SCALE: 4:1 SHEET: 1 OF 1 REV: G1