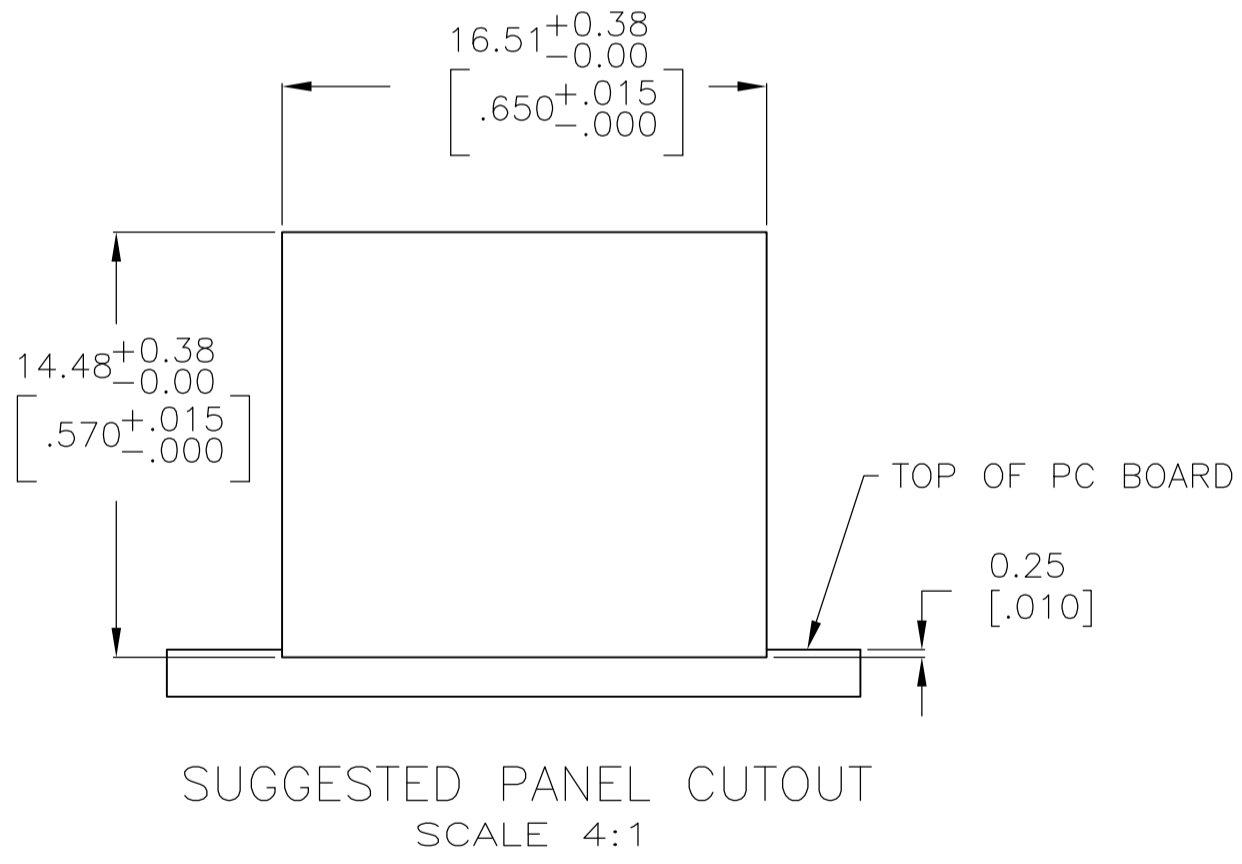
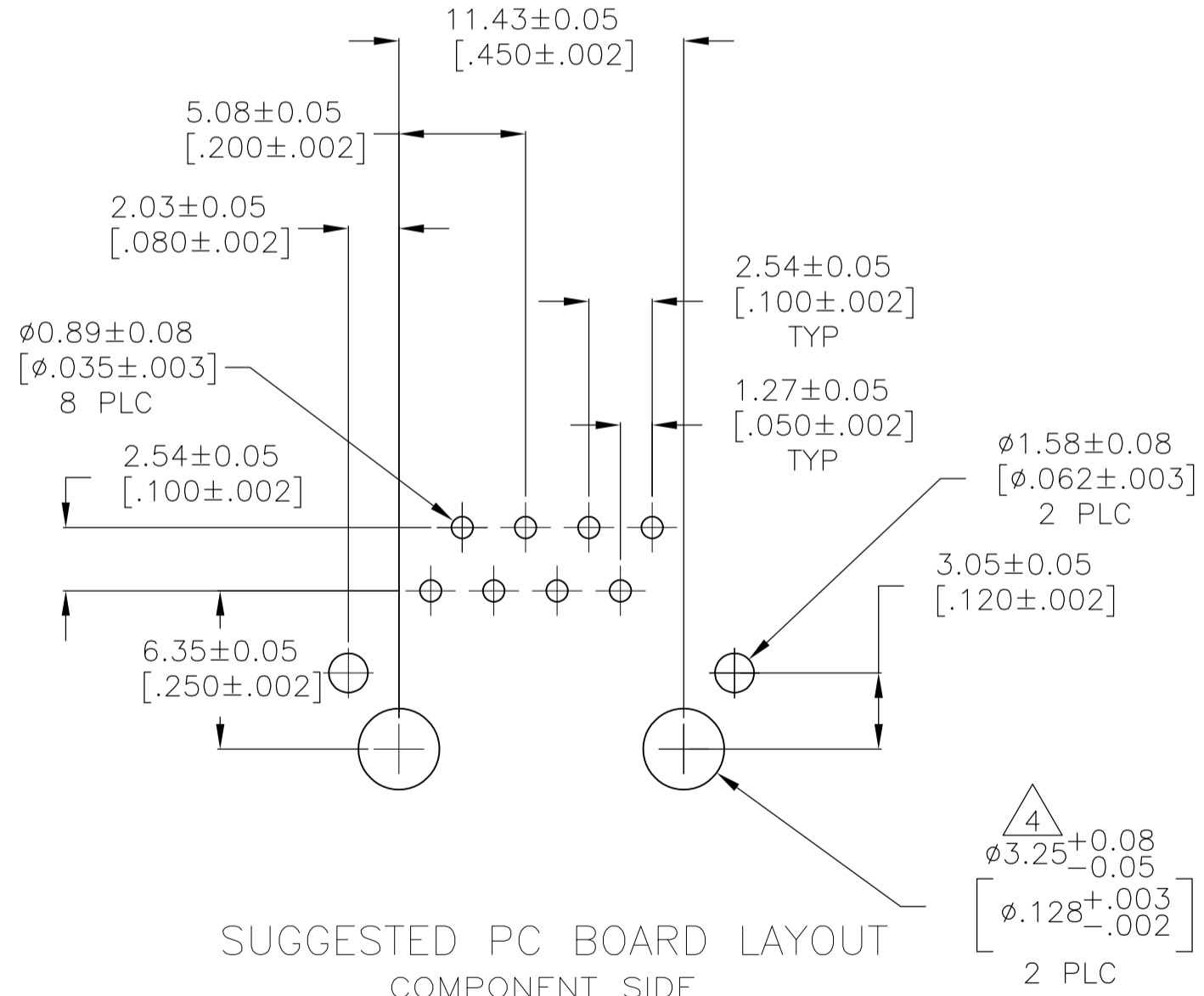
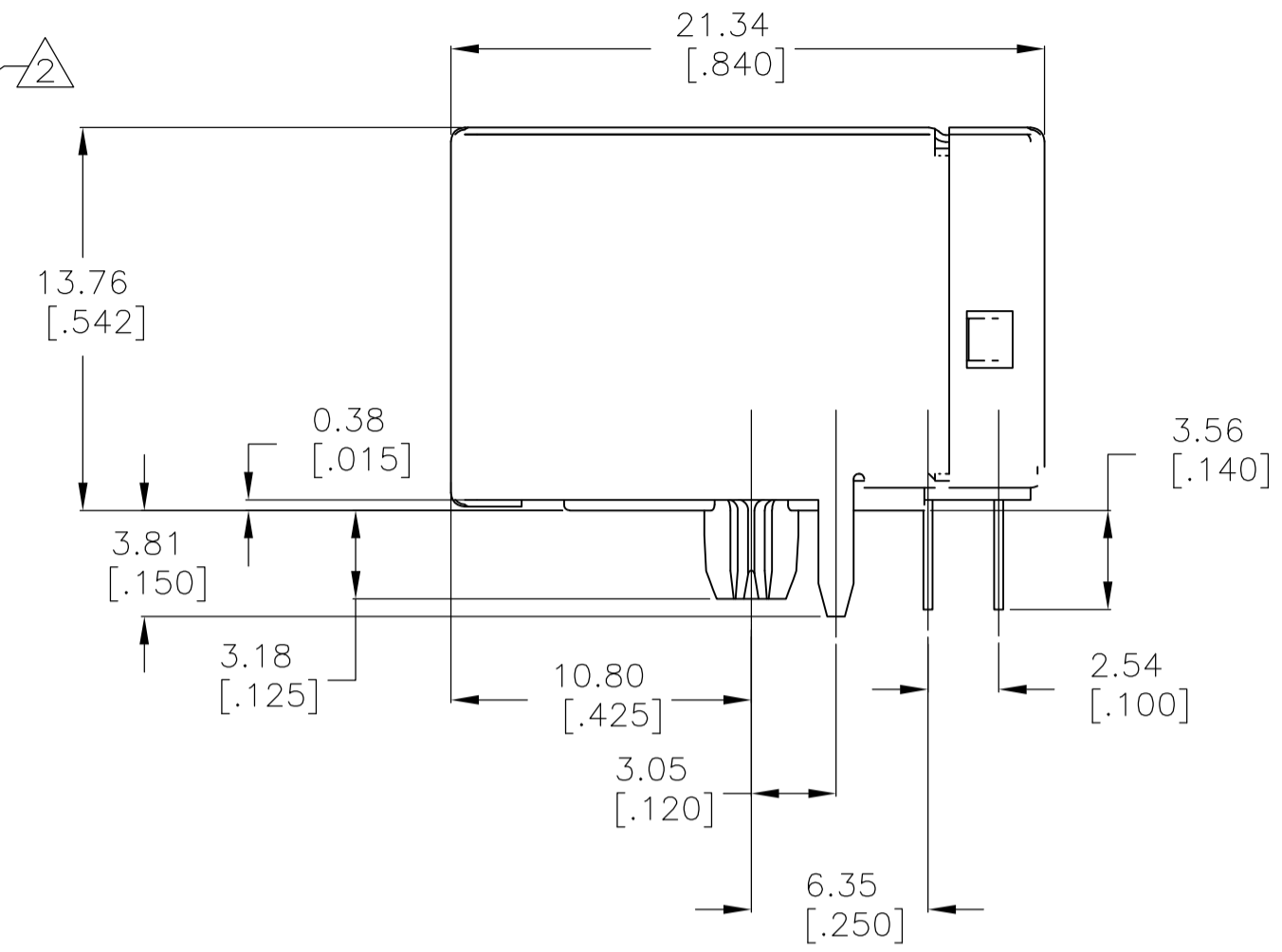
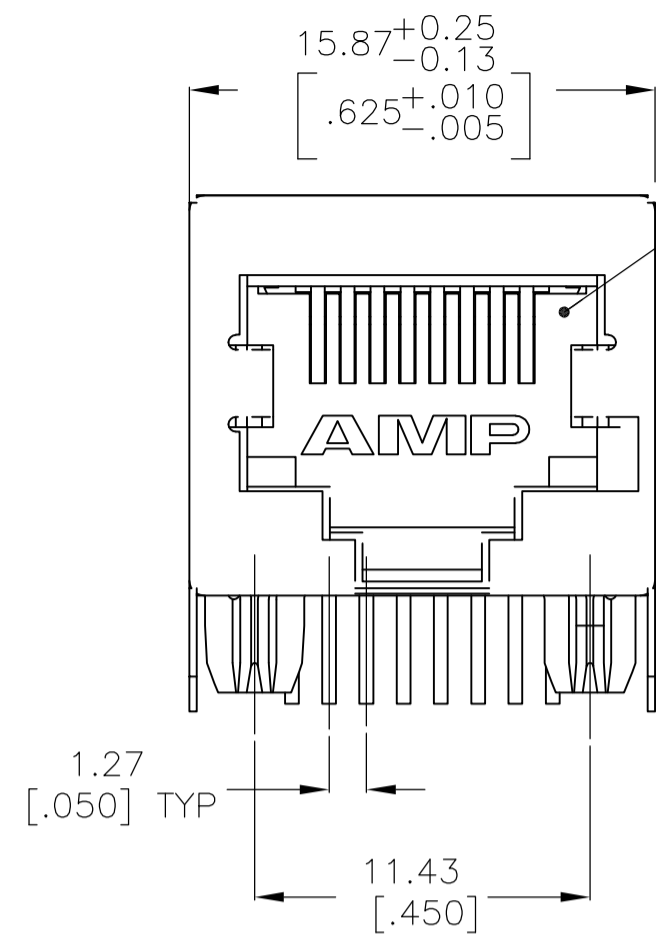
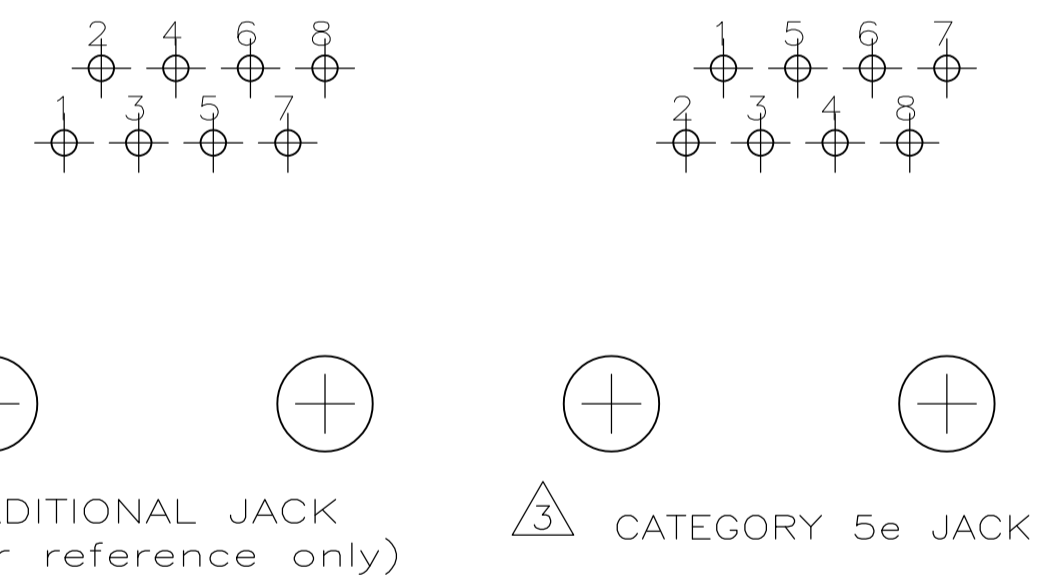


THIS DRAWING IS UNPUBLISHED. RELEASED FOR PUBLICATION
 © COPYRIGHT - By - ALL RIGHTS RESERVED.

LOC	DIST	REVISIONS					
AA	00	P	LTR	DESCRIPTION	DATE	DWN	APVD
		D1		REVISED PER ECO-11-005033	26MAR11	RK	HMR
		E		ECO-11-019003	19SEP11	JJ	MQW
		F		ECO-13-009636	9JUN13	C.W.S.H	



- MATERIAL: HOUSING HTN, BLACK.
 TERMINALS - 0.33 [0.013] THICK PHOS BRONZE PLATED WITH $1.27 \mu\text{m}$ [0.000050] MINIMUM THICK HARD GOLD IN LOCALIZED AREA AND $3.81 \mu\text{m}$ [0.000150] MINIMUM THICK MATTE TIN IN SOLDER AREA OVER $1.27 \mu\text{m}$ [0.000050] MINIMUM THICK NICKEL UNDERPLATE.
 SHIELDS - 0.254 [0.010] THICK COPPER ALLOY PLATED WITH $1.27 \mu\text{m}$ [0.000050] MINIMUM NICKEL AND $2.03 \mu\text{m}$ [0.000080] MINIMUM HOT TIN DIP ON PCB GROUND TABS.
- JACK CAVITY CONFORMS TO FCC RULES AND REGULATIONS, PART 68 SUBPART F.
- CAUTION: CATEGORY 5 JACK SOLDER TAIL POSITIONS DO NOT FOLLOW SAME NUMBER SEQUENCE AS THAT OF TRADITIONAL JACKS.
- USE #30 DRILL BIT OR 3.25mm DRILL BIT WHEN PRODUCING THESE PCB HOLES.
- OBSOLETE PARTS: OBSOLETE CIS STREAMLINING PER D.RENAUD/D.SINISI
- SHIELD MATERIAL: PHOS BRONZE.



\triangle	BLACK	5558342-3
\triangle OBSOLETE	GRAY	5558342-2
	BLACK	5558342-1
	HOUSING COLOR	PART NUMBER

THIS DRAWING IS A CONTROLLED DOCUMENT.		DWN	01JUNE2005	TE Connectivity																						
DIMENSIONS: mm		CHK	T. PITTS/L.A.MAYER																							
TOLERANCES UNLESS OTHERWISE SPECIFIED:		APVD	J.WESTMAN																							
<table border="1"> <tr><td>0 PLC</td><td>±</td><td>-</td></tr> <tr><td>1 PLC</td><td>±</td><td>-</td></tr> <tr><td>2 PLC</td><td>±</td><td>0.25[0.010]</td></tr> <tr><td>3 PLC</td><td>±</td><td>-</td></tr> <tr><td>4 PLC</td><td>±</td><td>-</td></tr> <tr><td>ANGLES</td><td>±</td><td>-</td></tr> <tr><td>FINISH</td><td>±</td><td>-</td></tr> </table>		0 PLC	±	-	1 PLC	±	-	2 PLC	±	0.25[0.010]	3 PLC	±	-	4 PLC	±	-	ANGLES	±	-	FINISH	±	-	APVD	S.FLICKINGER	NAME	
0 PLC	±	-																								
1 PLC	±	-																								
2 PLC	±	0.25[0.010]																								
3 PLC	±	-																								
4 PLC	±	-																								
ANGLES	±	-																								
FINISH	±	-																								
MATERIAL SEE NOTE 1		PRODUCT SPEC	108-1163-2	MODULAR JACK ASSEMBLY, 8 POSITION, RIGHT ANGLE, LOW PROFILE, SHIELDED, PC BOARD GROUND, CATEGORY 5e																						
SEE NOTE 1		APPLICATION SPEC	114-2048	SIZE	A2																					
		WEIGHT	-	CAGE CODE	00779																					
		FINISH	SEE NOTE 1	DRAWING NO	C=5558342																					
		CUSTOMER DRAWING		RESTRICTED TO	-																					
		SCALE 4:1		SHEET	1 OF 1																					
				REV	F																					

5558342