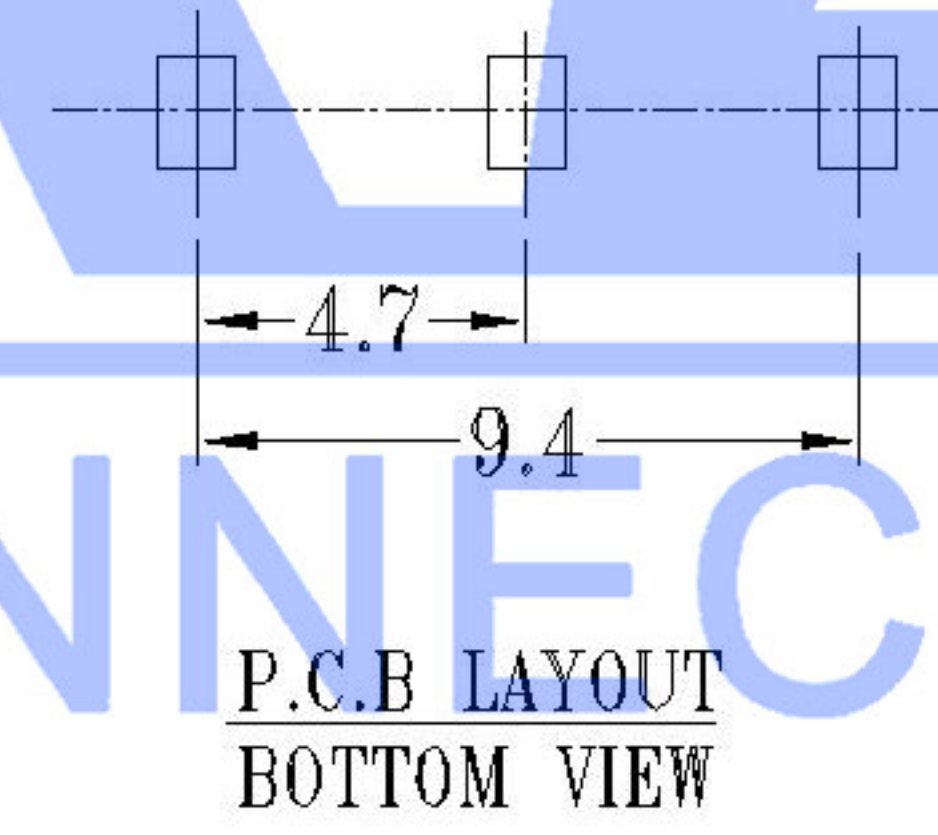
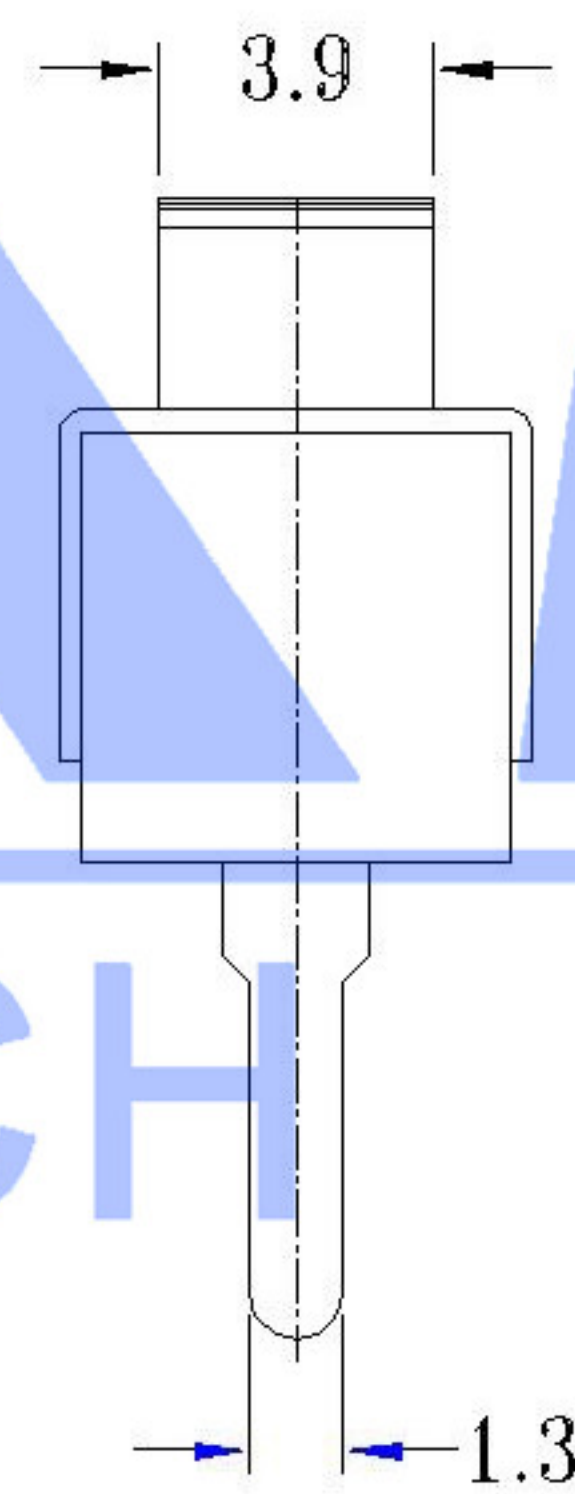
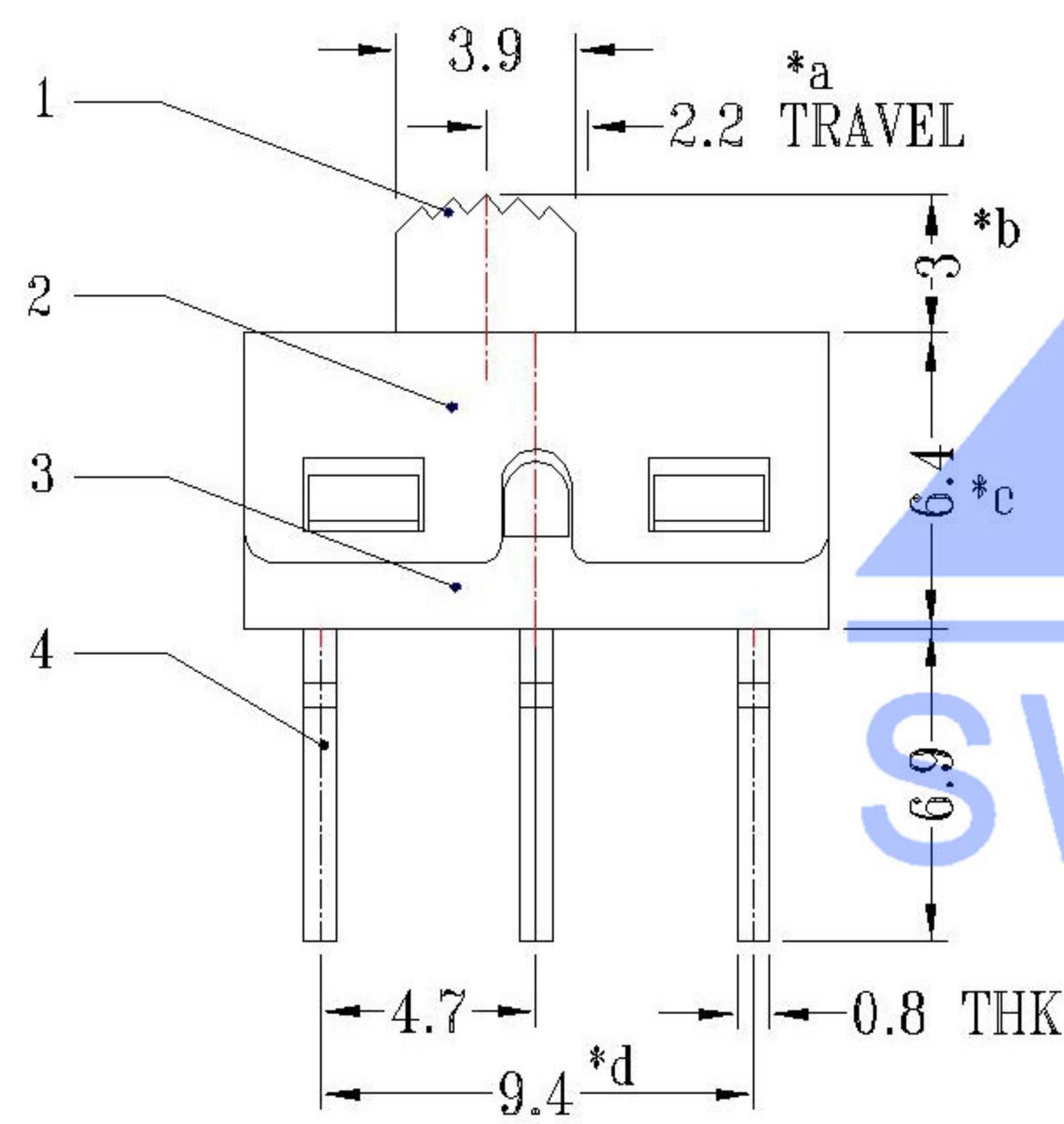


MODEL CODE

SS-12D10 -

L (mm)	
~	



XKKB
SWITCH CONNECTOR

RATING	0.3A 50V DC
CIRCUIT	1P2T
CONTACT RESISTANCE	100ms MAX.
TRAVEL	2mm
OPERATING FORCE	250±100gf
OPERATING LIFE(cycles)	10,000

ΔX					ANGULAR	±5°	DSND		DATE		SCALE: N/A	MODEL TYPE: SLIDE SWITCH
ΔX					L ≤ 4	±0.2	DWN		DATE		VIEW:	PART NO.:
ΔX					4 < L ≤ 16	±0.3	CHKD		DATE		UNIT: mm	DWG NO.: SS-12D10
MARK	DESCRIPTION	DATE	REVISED	APPROVED	16 < L ≤ 63	±0.4	APPD		DATE		SIZE: A4	
					L > 63	±0.5						WEIGHT
					UNSPECIFIED TOLERANCES		XKB INDUSTRIAL PRECISION CO., LIMITED					SHEET
												1.0g
												1/1
												REVISION
												A0