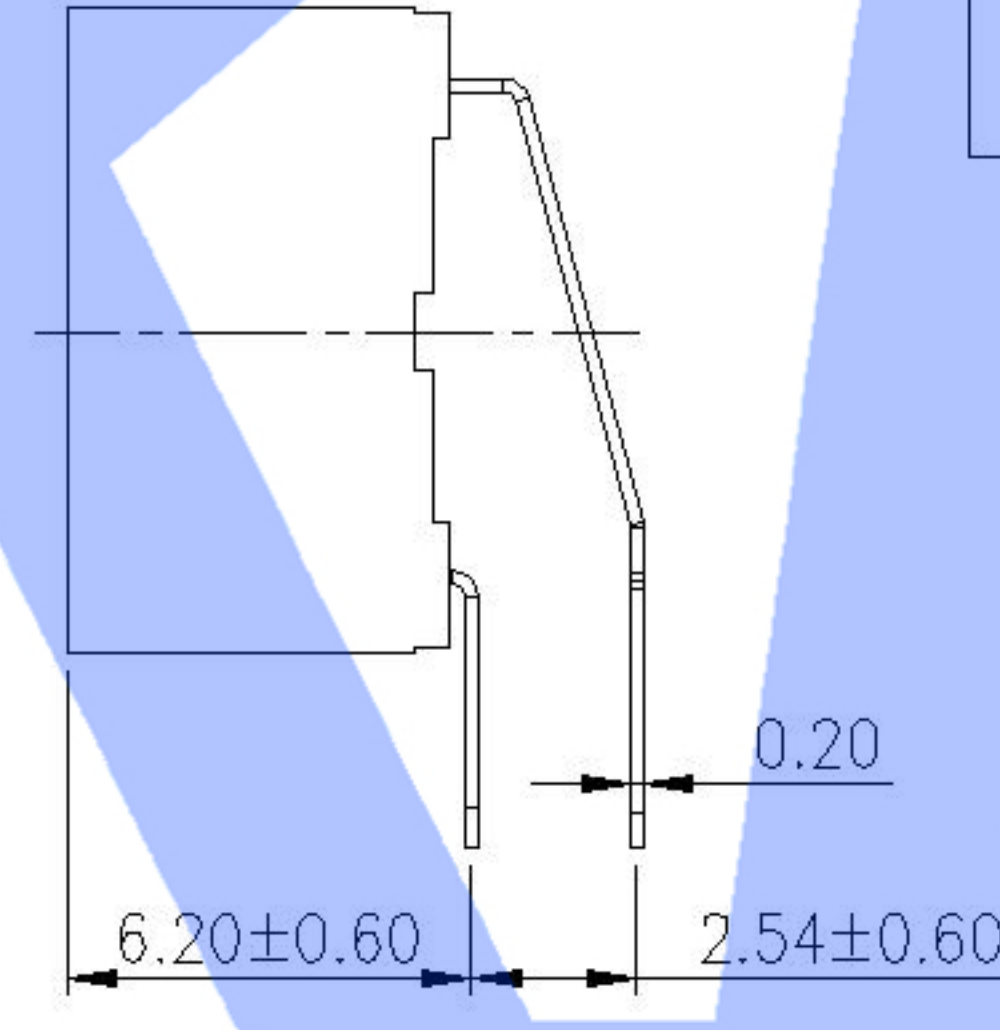
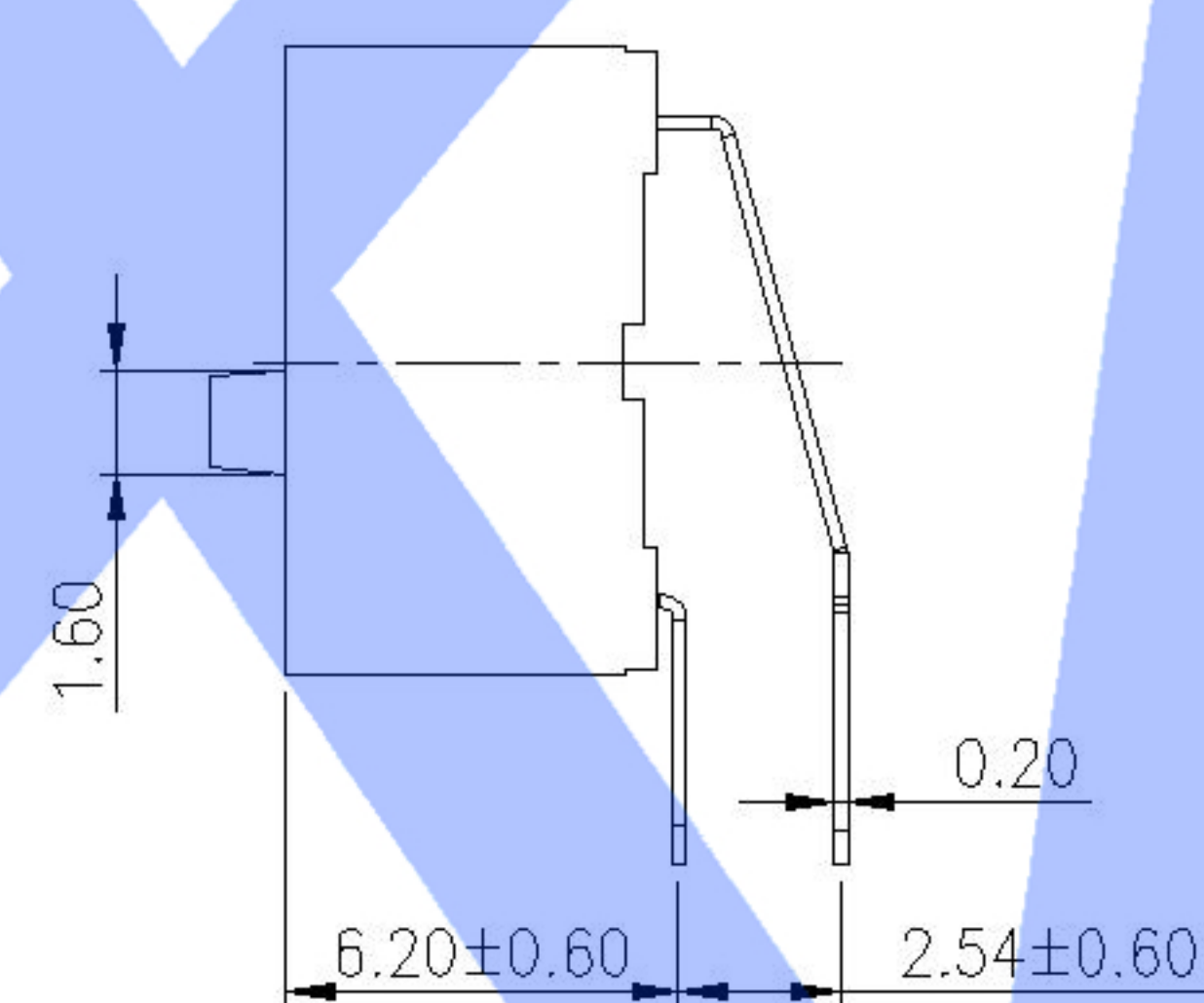


Projection (P)

Short (S)

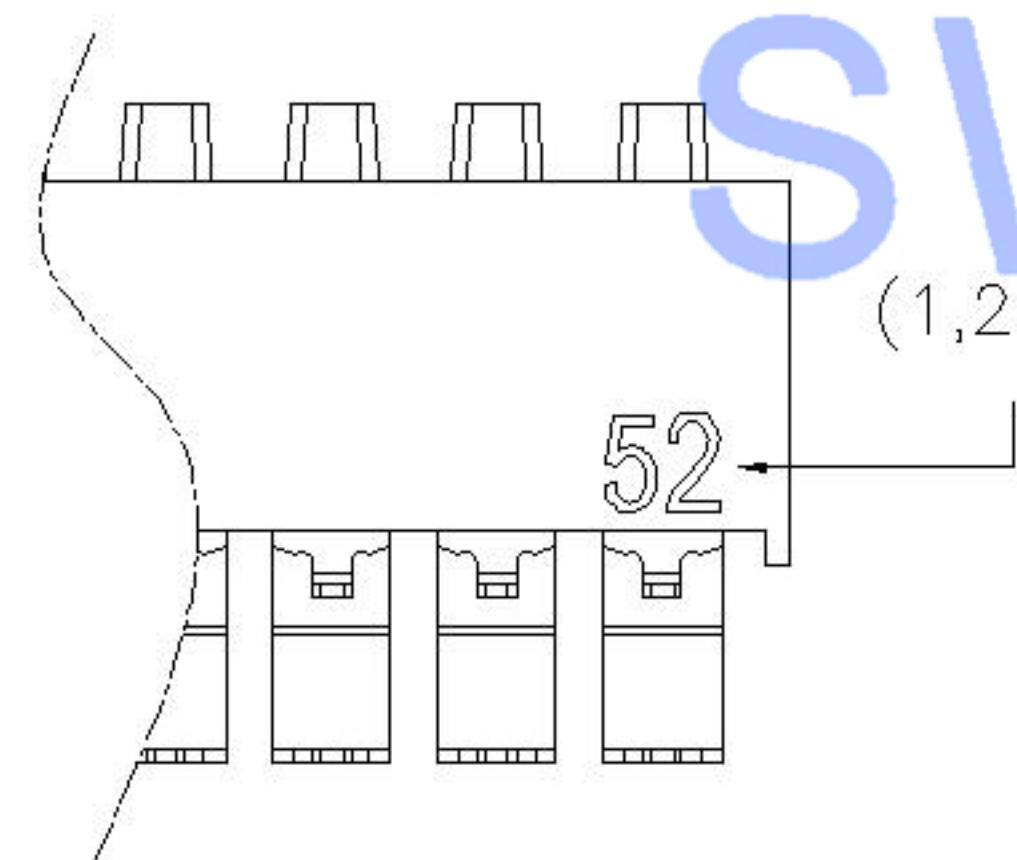
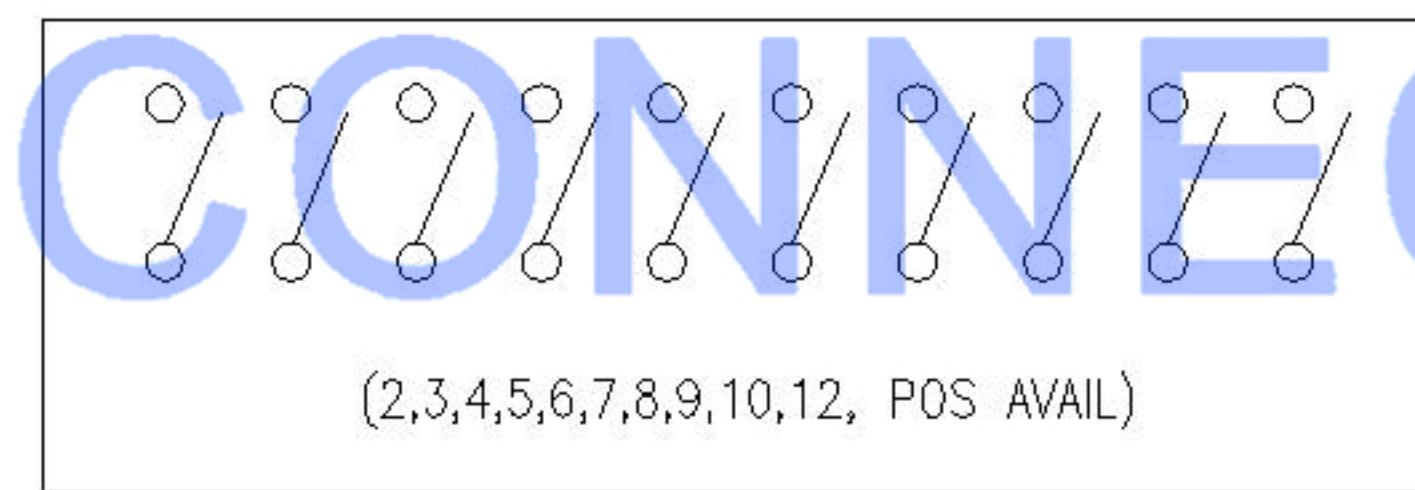


PART NO.	NO.OF POS.	DIM.A	DIM.B	Cover/Red (R)		Cover/Blue (B)	
				Projection (P)	Short (S)	Projection (P)	Short (S)
DA-02	2	6.44	2.54	DA-02RP	DA-02RS	DA-02BP	DA-02BS
DA-03	3	8.98	5.08	DA-03RP	DA-03RS	DA-03BP	DA-03BS
DA-04	4	11.52	7.62	DA-04RP	DA-04RS	DA-04BP	DA-04BS
DA-05	5	14.06	10.16	DA-05RP	DA-05RS	DA-05BP	DA-05BS
DA-06	6	16.60	12.70	DA-06RP	DA-06RS	DA-06BP	DA-06BS
DA-07	7	19.14	15.24	DA-07RP	DA-07RS	DA-07BP	DA-07BS
DA-08	8	21.68	17.78	DA-08RP	DA-08RS	DA-08BP	DA-08BS
DA-09	9	24.22	20.32	DA-09RP	DA-09RS	DA-09BP	DA-09BS
DA-10	10	26.76	22.86	DA-10RP	DA-10RS	DA-10BP	DA-10BS
DA-12	12	31.84	27.94	DA-12RP	DA-12RS	DA-12BP	DA-12BS

SPECIFICATION

Contact Rating	25mA, 24V DC
Contact Resistance	50mΩ max.
Insulation Resistance	100MΩ min. 500V DC
Dielectric Strength	500V AC/1 minute
Operating Force	1,000gf max.
Travel	2mm
Operating Life	2 000 cycles
Operating Temp.	-40°C ~ +85°C
Storage Temp.	-40°C ~ +85°C

CIRCUIT



DATE CODE
ex: (1,2~9,X,Y,Z) 0,1,2,~9

MARK	DESCRIPTION	DATE	REVISED	APPROVED	UNSPECIFIED TOLERANCES	DSND	DATE	SCALE: N/A	MODEL TYPE: DIP SWITCH
ΔX					ANGLAR ±5°	DWN	DATE	VIEW:	PART NO.:
ΔX					L ≤ 4 ±0.2	CHKD	DATE	UNIT: mm	DWG NO.: DA-XX
ΔX					4 < L ≤ 16 ±0.3	APPD	DATE	SIZE: A4	
					16 < L ≤ 63 ±0.4	XKB INDUSTRIAL PRECISION CO., LIMITED			WEIGHT
					L > 63 ±0.5				1.0g
REVISIONS									SHEET
www.xkercn.com www.helloxkb.com www.helloxkb.cn									1/1
									REVISION
									A0