

1 2 3 4 5 6 7 8

A

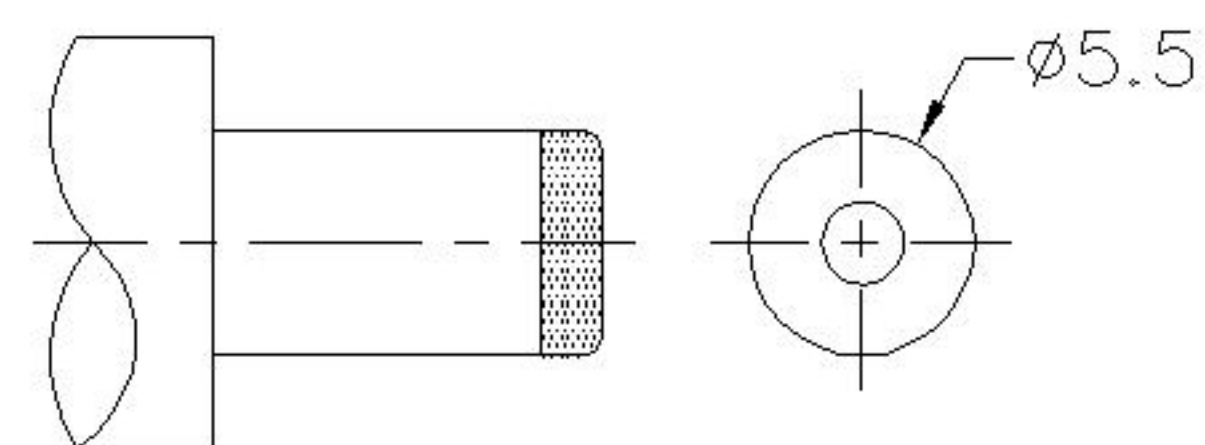
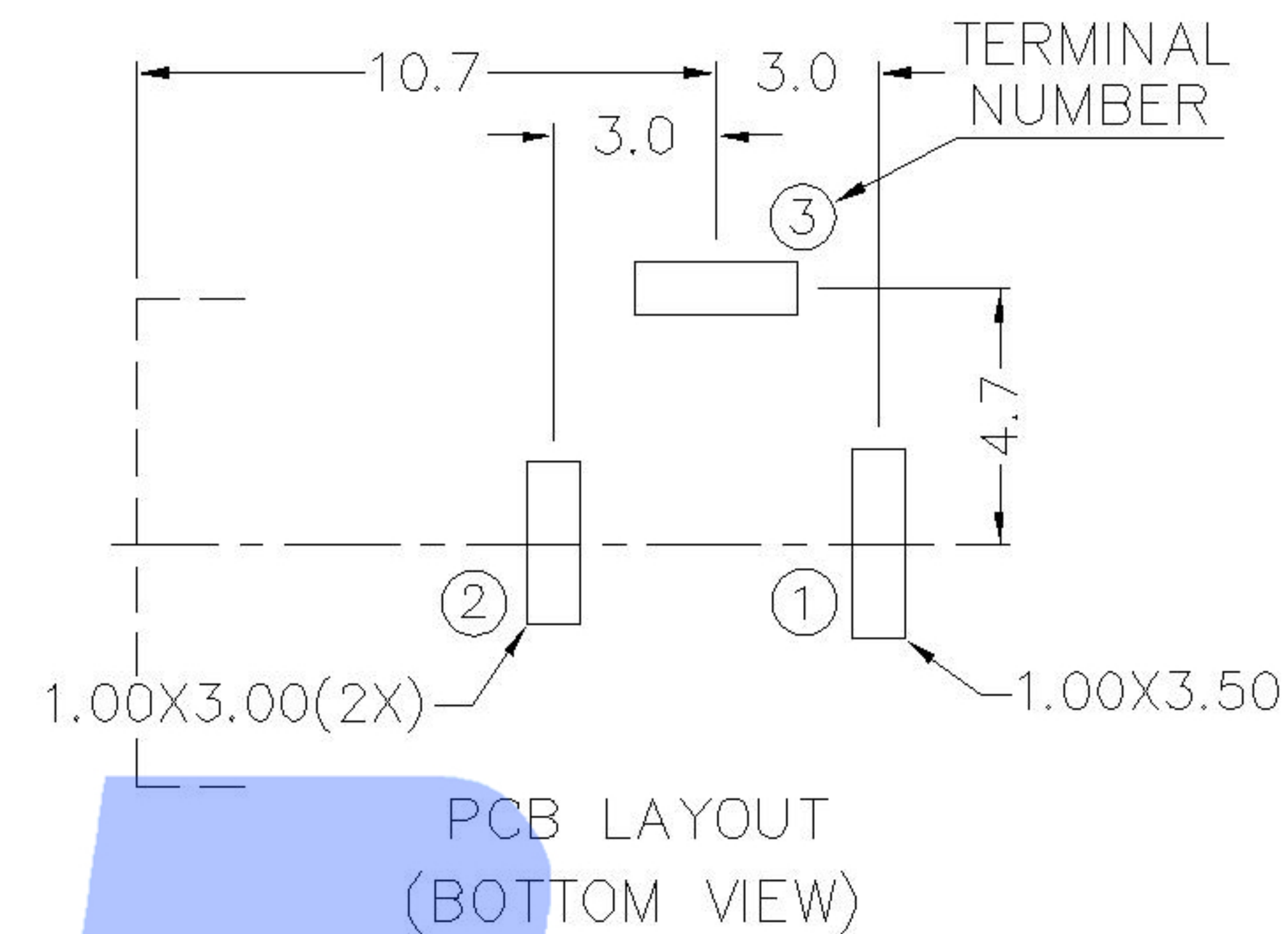
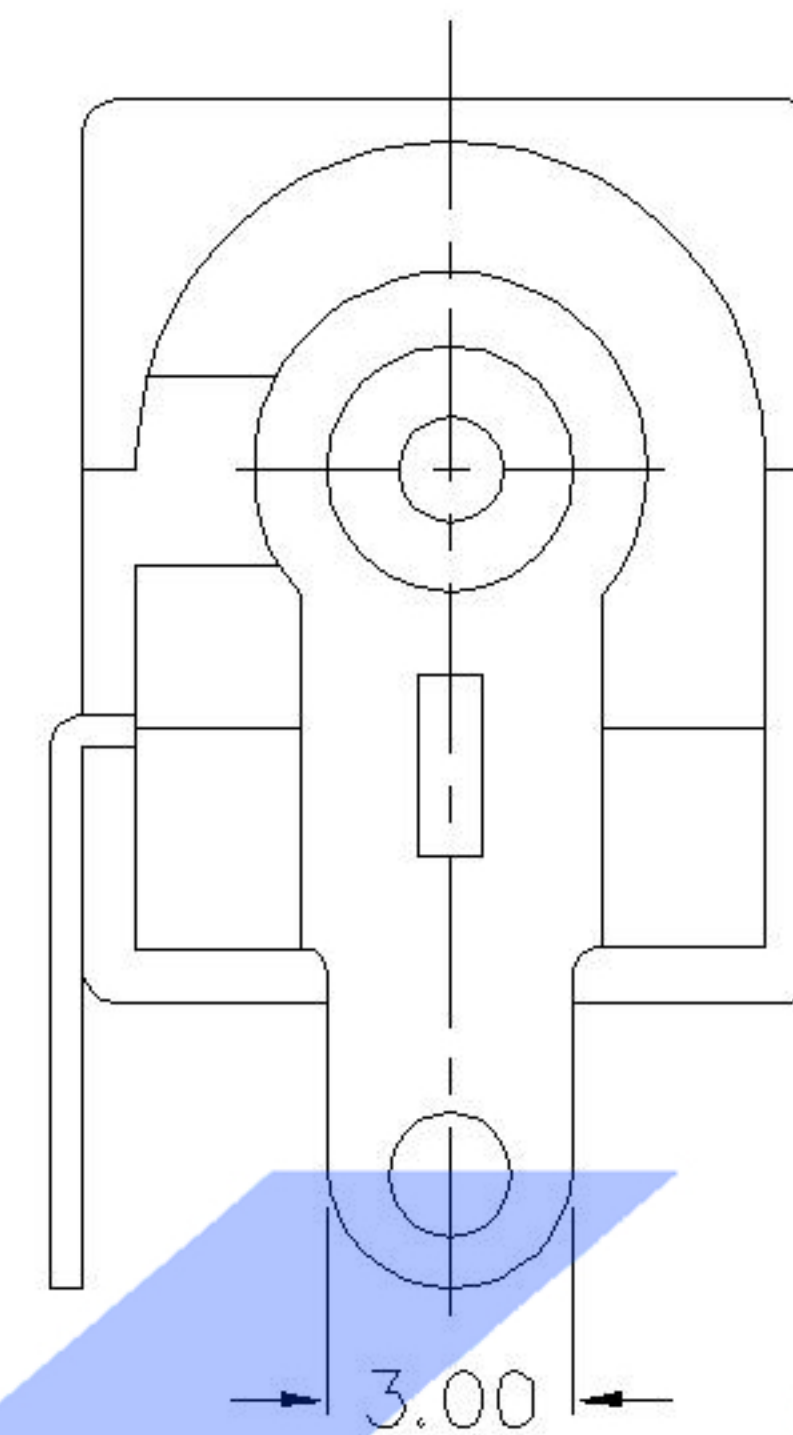
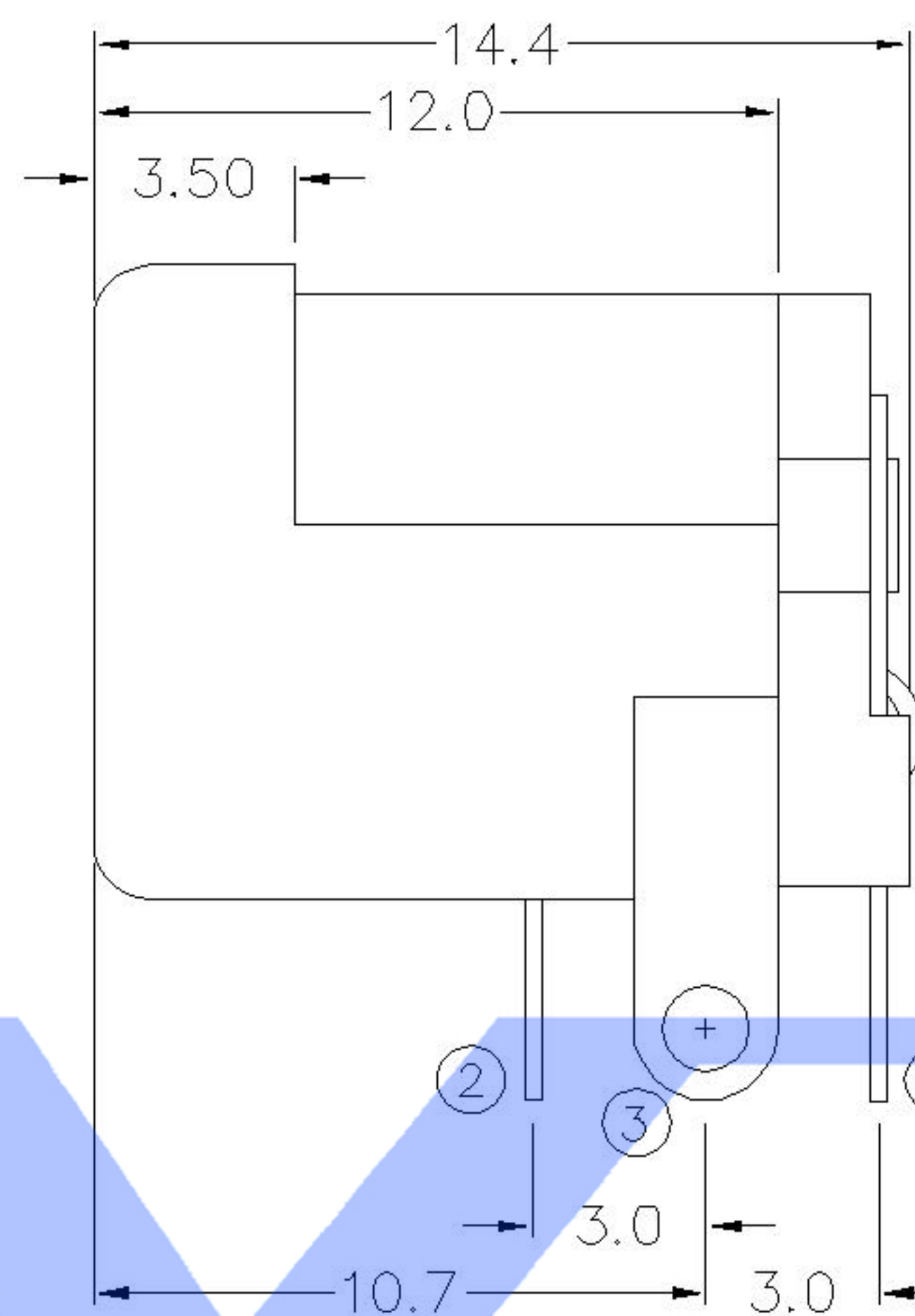
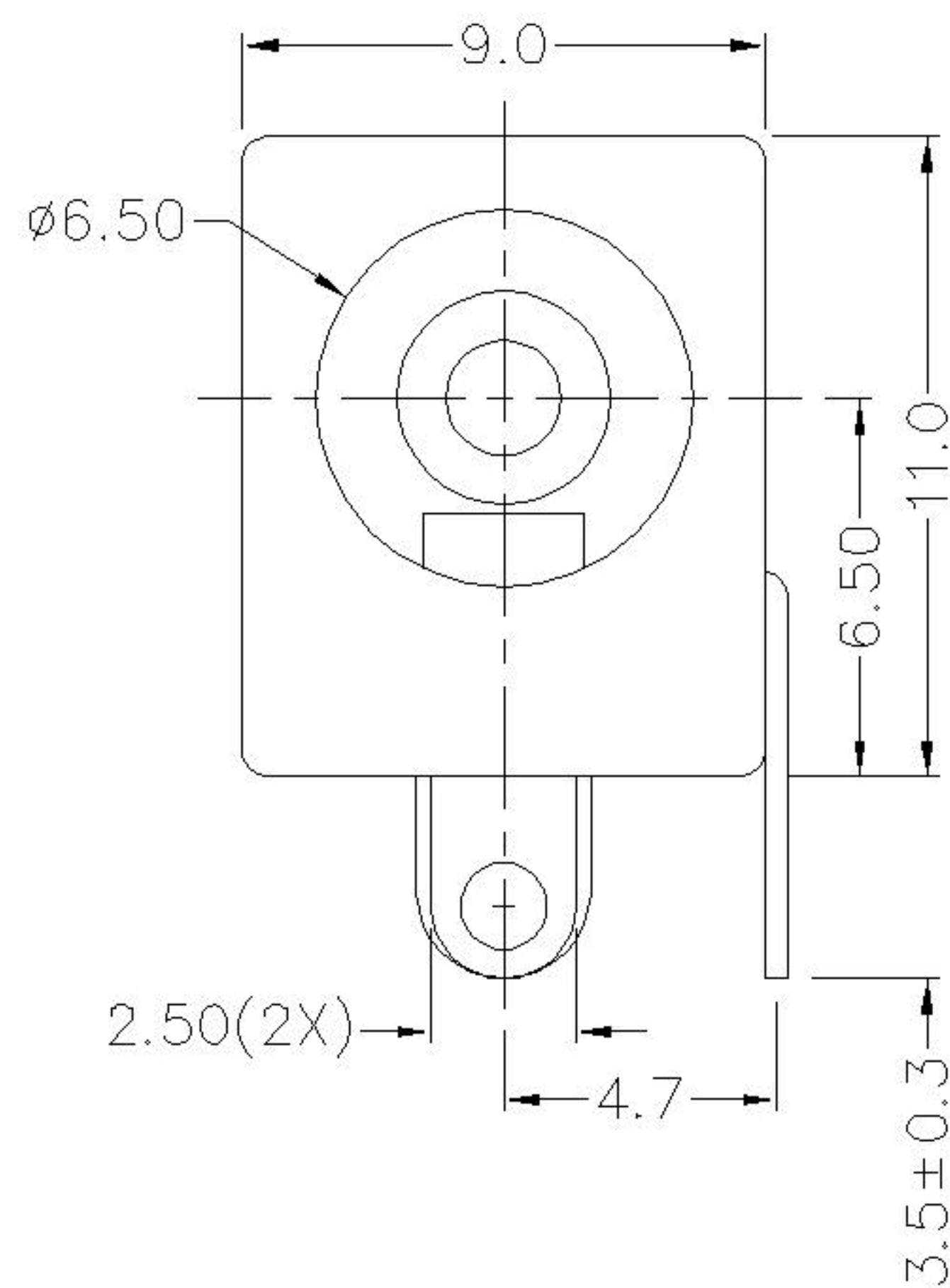
B

C

D

E

F

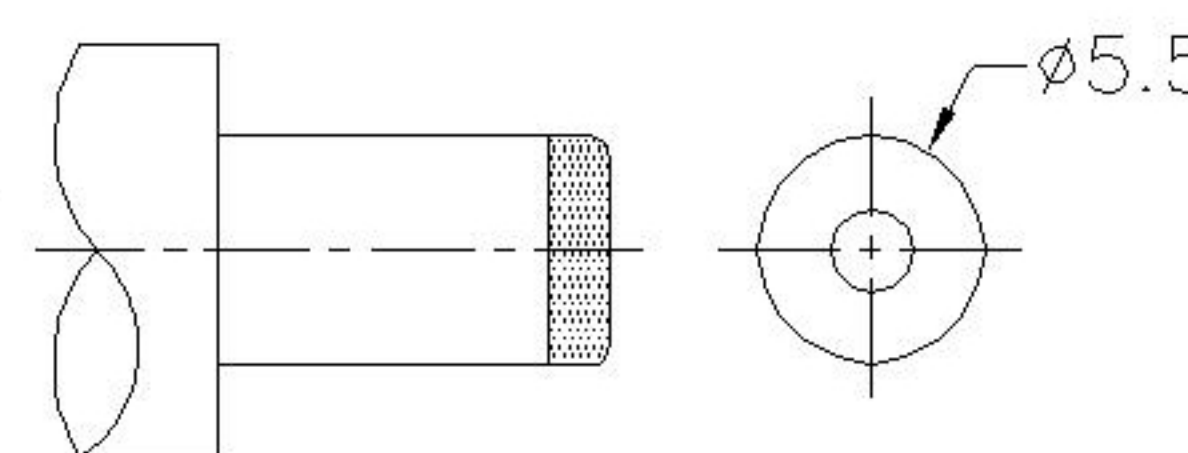


DC MATE PLUG

SPECIFICATIONS:
 1. ELECTRICAL CHARACTERISTICS:
 1-1. RATING:
 1-2. CONTACT RESISTANCE: 30mΩ MAX.(INITIAL)
 1-3. DIELECTRIC WITHSTANDING VOLTAGE: 500V AC FOR ONE MINUTE
 1-4. INSULATION RESISTANCE: 100MΩ MIN. MEASURED BY 500V DC
 2. MECHANICAL CHARACTERISTICS:
 2-1. INSERTION FORCE : 0.3~3.0 KGF
 2-2. WITHDRAWAL FORCE : 0.3~3.0 KGF
 3. LIFE TEST: 5,000 CYCLES MIN.
 4. FOR REFLOW SOLDERING LEAD-FREE PROCESS.
 5. * REPRESENT CRITICAL DIMENSIONS.

SWITCH CONNECTOR

SCHEMATIC	
Model	DC-005
Center Pin	1.65
	2.0
	2.5



MATING PLUG
Jack Insertion Depth: 9.0 mm

	MATERIAL	PLATING
center pin	copper	nickel
terminal 1	brass	tin
terminal 2	copper alloy	tin
terminal 3	brass	tin
plastic	PBT	

DSND	DATE	SCALE: N/A	MODEL TYPE: DC POWER JACK
DWN	DATE	VIEW:	PART NO.:
CHKD	DATE	UNIT: mm	DWG NO.:
APPD	DATE	SIZE: A4	DC-005-2.5A-2.5
UNSPECIFIED TOLERANCES		WEIGHT	SHEET
		1.0g	1/1
		REVISION	
		A0	

MARK	DESCRIPTION	DATE	REVISED	APPROVED	ANGULAR	
△ X					±5°	
△ X					L ≤ 4	±0.2
△ X					4 < L ≤ 16	±0.3
					16 < L ≤ 63	±0.4
					L > 63	±0.5
REVISIONS						

1 2 3 4 5 6 7 8

KXB INDUSTRIAL PRECISION CO., LIMITED