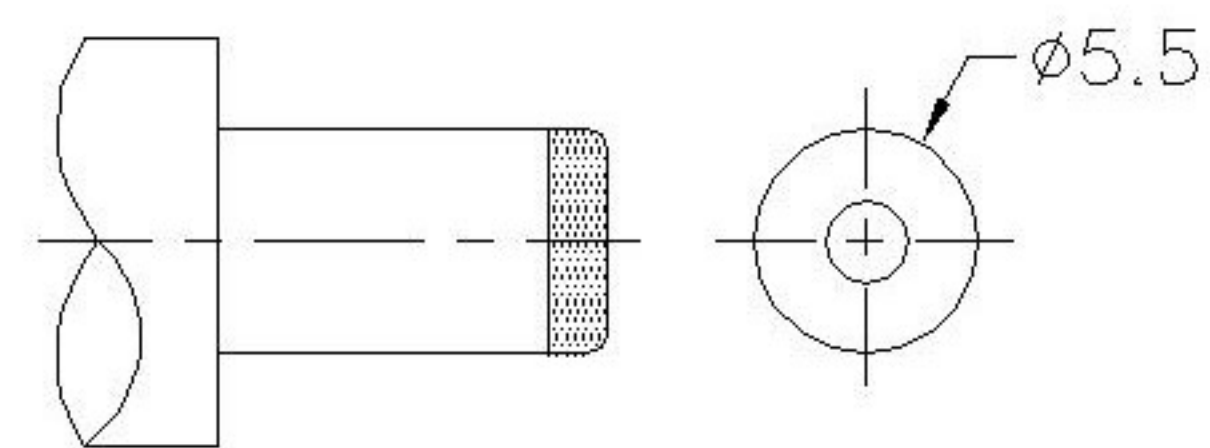


XKB SWITCH CONNECTOR

SCHEMATIC	
Model	DC-009A
Center Pin	Ø2.0 mm
	Ø2.5 mm



MATING PLUG
Jack Insertion Depth: 9.0 mm

	MATERIAL	PLATING
center pin	copper	nickel
terminal 1	brass	tin
terminal 2	copper alloy	tin
terminal 3	brass	tin
insulators	PBT	
plastic	PBT	

DSND	DATE	SCALE: N/A	MODEL TYPE: DC POWER JACK
DWN	DATE	VIEW:	PART NO.:
CHKD	DATE	UNIT: mm	DWG NO.:
APPD	DATE	SIZE: A4	DC-009A-2.0
XKB INDUSTRIAL PRECISION CO., LIMITED			WEIGHT 1.0g
			SHEET 1/1
			REVISION A0

MARK	DESCRIPTION	DATE	REVISED	APPROVED	UNSPECIFIED TOLERANCES
△ X					ANGULAR ±5°
△ X					L ≤ 4 ±0.2
△ X					4 < L ≤ 16 ±0.3
					16 < L ≤ 63 ±0.4
					L > 63 ±0.5
REVISIONS					