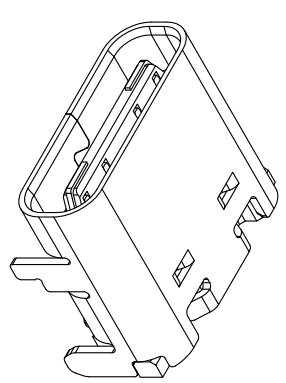
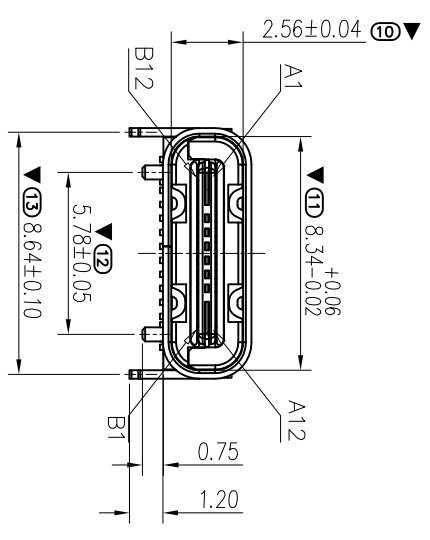
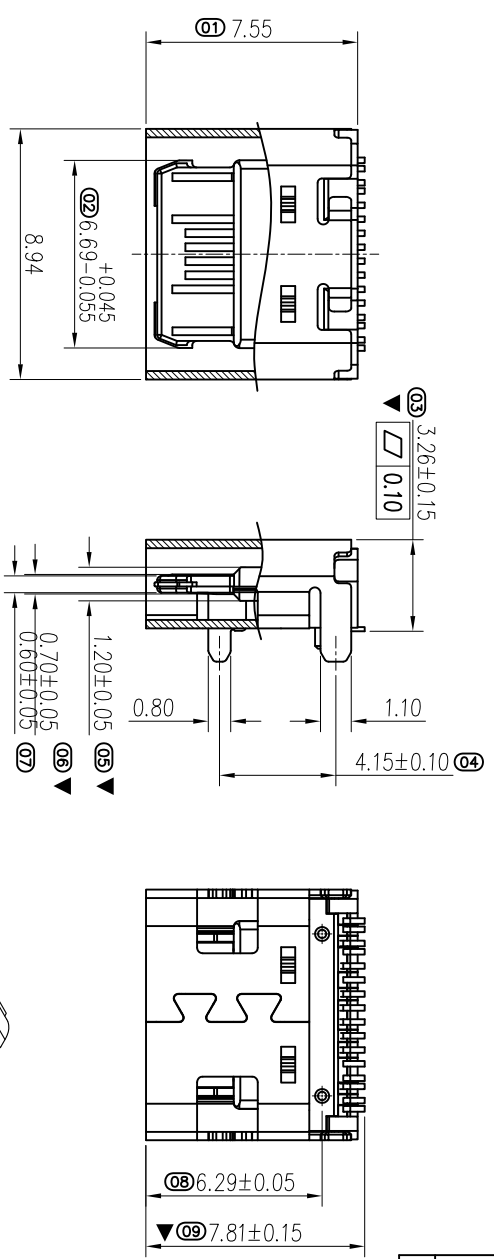
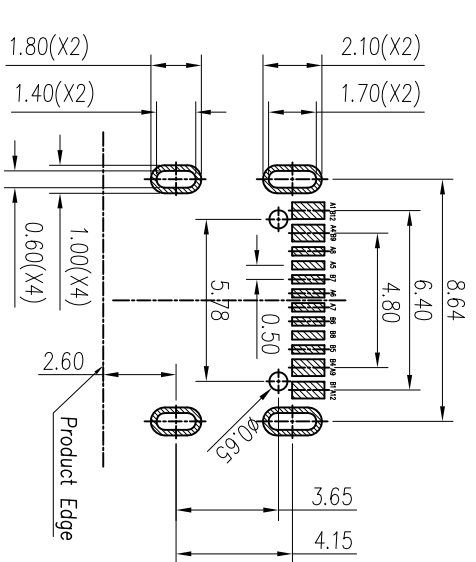


MAPX	MODIFICATION	DATE
------	--------------	------



A1	GND	B12	GND
A4	VBUS	B9	VBUS
A5	CC1	B8	SBU2
A6	DP1	B7	DN2
A7	DN1	B6	DP2
A8	SBU1	B5	CC2
A9	VBUS	B4	VBUS
A12	GND	B1	GND
PIN	SIGNAL NAME	PIN	SIGNAL NAME



- Specification:
- Electrical Characteristics:
 - Contact Current Rating: 3 Amperes Max.
 - Rated Voltage: 30V Max.
 - Dielectric Withstanding Voltage: AC 100V r.m.s.
 - Insulation Resistance: 100 MΩ Minimum.
 - Contact Resistance: 40 mΩ Maximum.
 - Environmental:
 - Operating Temperature: -40°C~+85°C.
 - Mechanical Characteristics:
 - Insertion Force: 5~20Nf.
 - Withdrawal Force: 6~20Nf.
 - Durability Cycles: 10000 Cycles.
 - Make is FAI test Dimension
- ▶ Make is major test Dimension

RECOMMENDED P.C.B. LAYOUT
TOLERANCE UNSPECIFIED ±0.05mm

3	CONTACT	COPPER ALLOY
2	INSULATOR	HIGH TEMPERATURE PLASTIC UL 94 V-0
1	SHELL	Stainless Steel
NO.	NAME	DESCRIPTION

深圳市精拓金电子有限公司

产品图 PRODUCT CHART DWG 公差一览表 TOLERANCE UNLESS OTHERWISE		单位 UNITS MM	制图 DRAWING Gavin	制图料号 PRODUCT PART NO. USB TYPE C 16Pin 母头 单排 SMT 四脚插板 有柱					
X	±0.35	X	±5°	日期	2016-06-13	审核	郭治富	产品名称	PRODUCT NO.
X	±0.30	X	±2°	比例	1:1	核准	黄国荣	角法	VIEW
XX	±0.20	XX	±1°	DATE		APRD		版本	VER
XXX	±0.10	XXX	±0.5°					AD	

1 2 3 4 5 6 7 8 9 10