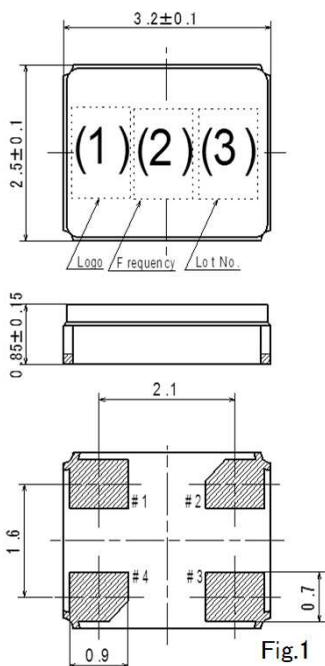


SPECIFICATION OF SURFACE MOUNT TYPE

1 .TYPE	DSX321G				
2 .NOMINAL FREQUENCY	8.000000		MHz		
3 .LOAD CAPACITANCE(CL)	8	pF			
4 .DRIVE LEVEL	10	μW	+/- 2	μW	
5 .FREQUENCY TOLERANCE	+/- 30		$\times 10^{-6}$	at 25 deg.C +/- 3	deg.C
6 .SERIES RESISTANCE	400	ohms	max.	/ CL = SERIES	
7 .FREQUENCY CHARACTERISTICS OVER TEMPERATURE(ref. +25 deg.C)	+/- 30		$\times 10^{-6}$	/ -30 deg.C to +85	deg.C
8 .OPERATING TEMPERATURE RANGE	-30	deg.C	to	+85	deg.C
9 .STORAGE TEMPERATURE RANGE	-40	deg.C	to	+85	deg.C
10 .SHUNT CAPACITANCE(C0)	2.0	pF	max.		
11 .INSULATION RESISTANCE	500	Mohms min.	at 100V DC		
12 .OVERTONE ORDER	Fundamental				
13 .DIMENSIONS	Refer to Fig-1				



(1)Logo, (2)Frequency and Manufacturing Location

Producing District	(1)Logo	(2)Frequency
Indonesia	D	08
Thailand	D	08
Taiwan	D	<u>08</u>

- * Made in Indonesia : Under Bar with (1)Logo
- * Made in Thailand : Top Bar with (1)Logo
- * Made in Taiwan : Under Bar with (2)Frequency

(3)Lot No.

unit : mm
Tolerance : +/-0.1
Pin #2 #4 is not connected with anything.