

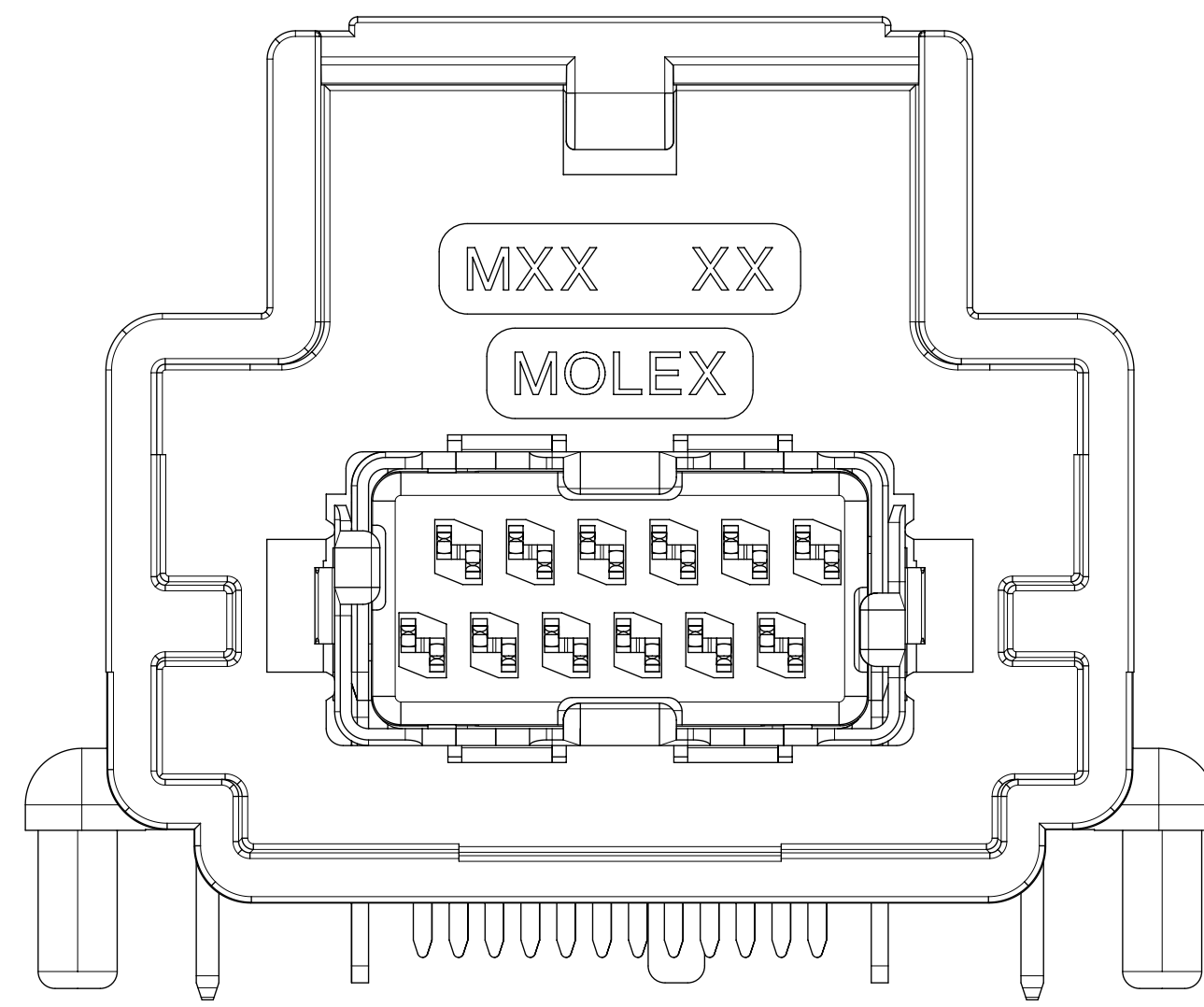
34861-1106

34861-1306 (2 SHIELD TABS)

34861-XXXX (SMT) *NOT AVAILABLE*

KEY OPTION 'A'

COLOR: BLACK

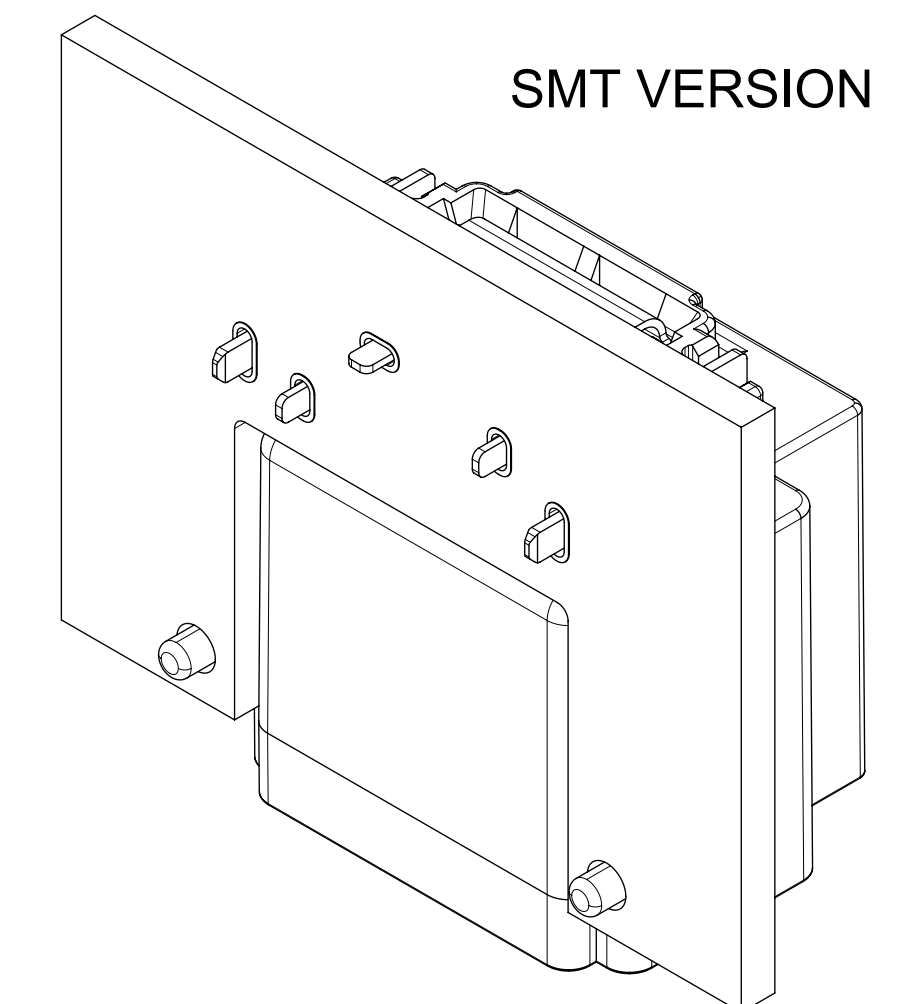
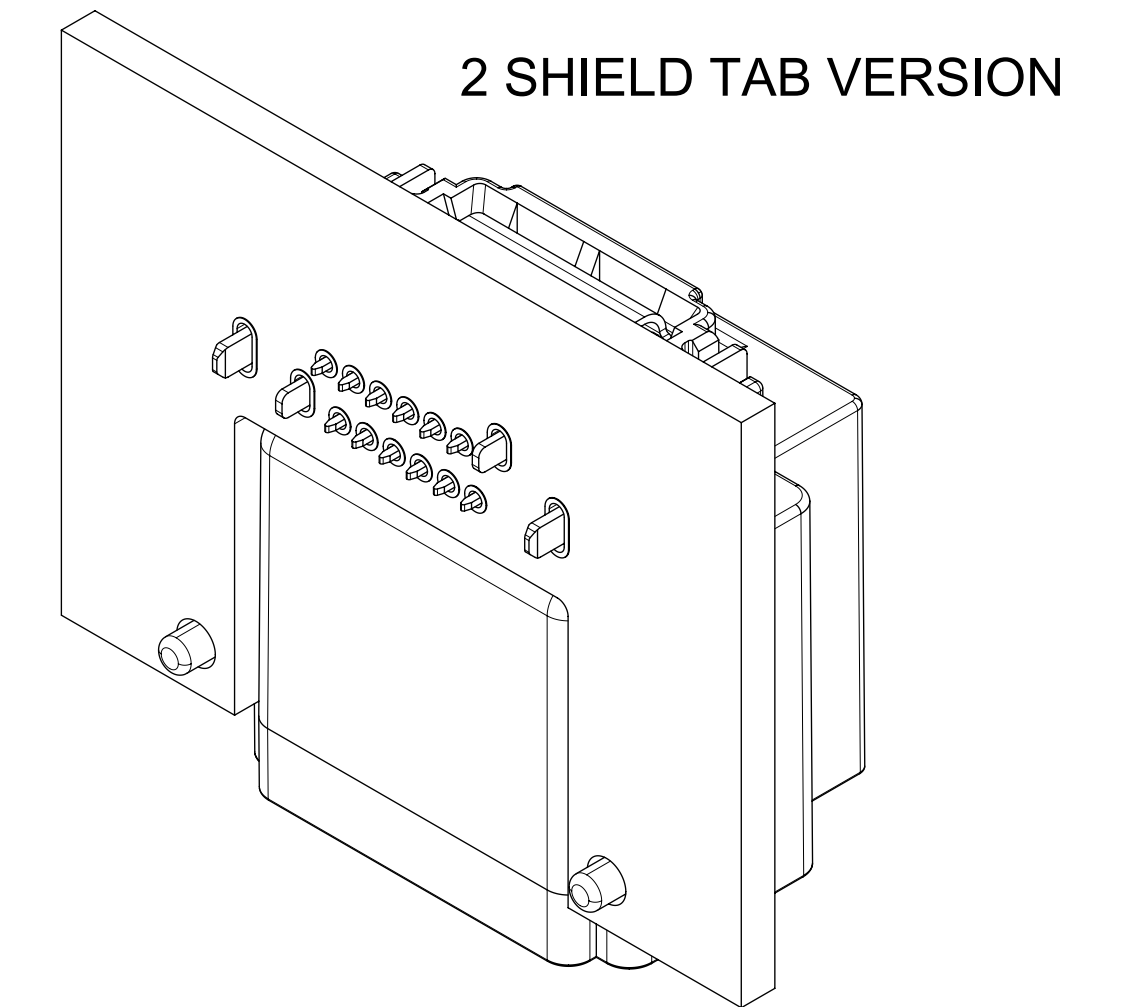
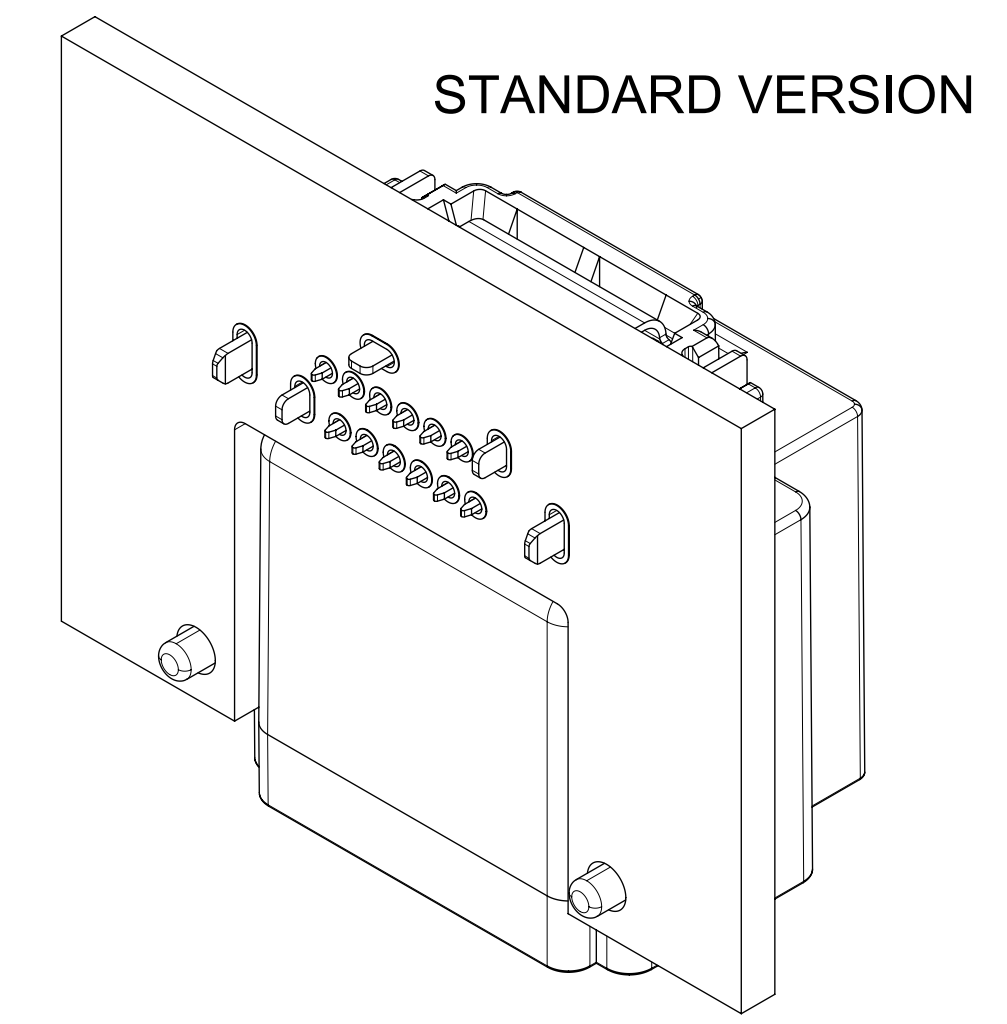
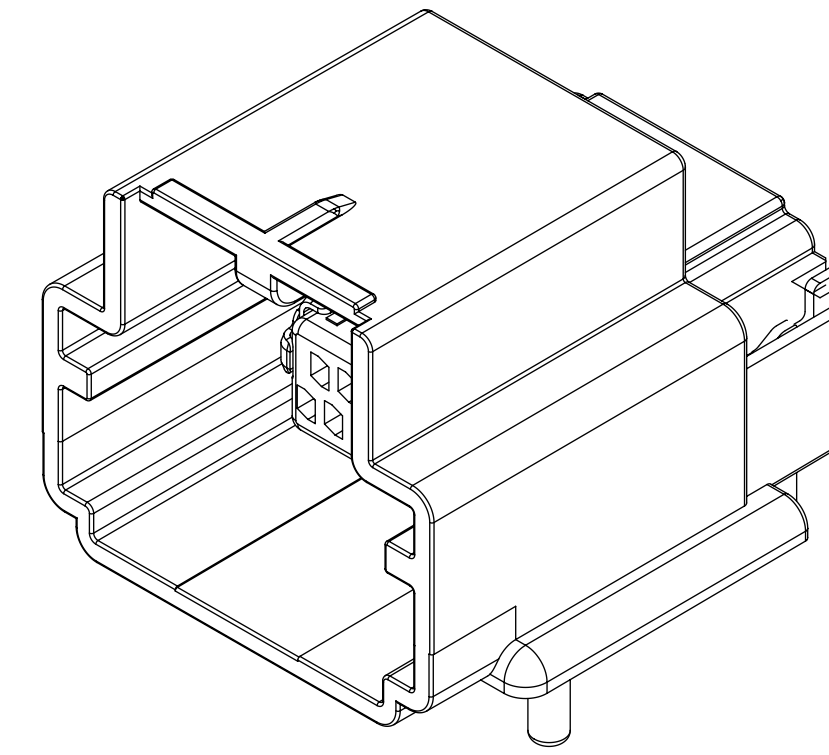


34861-1116

34861-1316 (2 SHIELD TABS)

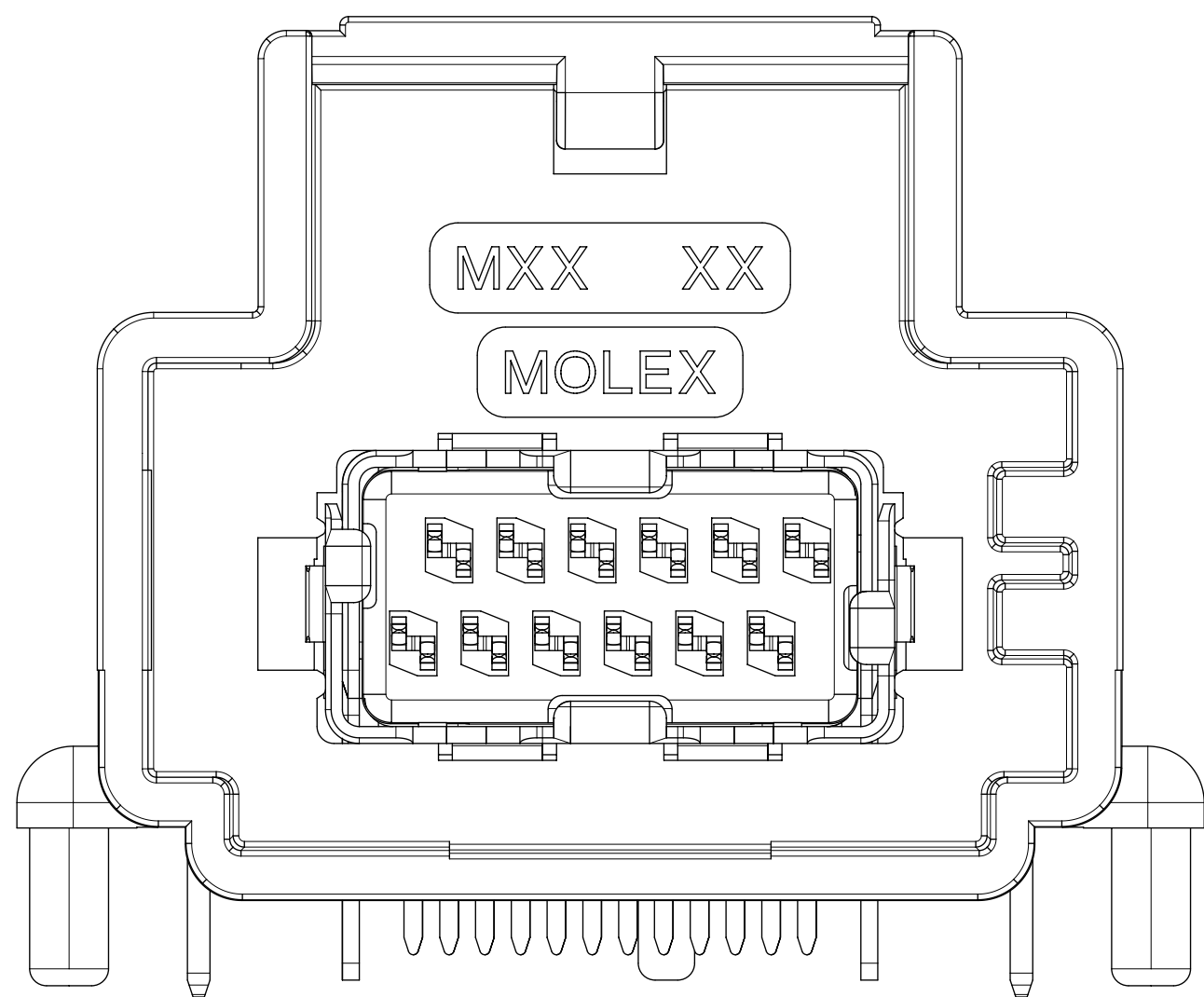
KEY OPTION 'B'

COLOR: GRAY



NOTES: VALID UNLESS OTHERWISE SPECIFIED

- MATERIALS:
 HEADER HOUSING: SPS, 30%GF
 TERMINALS - COPPER ALLOY
 OVERMOLDING - LCP, 30%GF
 BISCUIT - SPS, 30%GF
 SHIELDS - COPPER ALLOY
- TERMINAL MATE-SIDE PLATING: SELECTIVE GOLD OVER NICKEL
 TERMINAL PCB SIDE PLATING: TIN OVER NICKEL
 SHIELDS PLATING - TIN OVER NICKEL
- MATING CONNECTOR MINIMUM CLEARANCE: AREA TO REMAIN CLEAR OF
 MODULE COMPONENTS, ADHESIVE, DEBRIS, ETC.
- PCB TO BE FR4 0.062" (1.57mm) THICK
- LASER MARKING TO BE MARKED WITH:
 HUMAN READABLE CODE (HRC)
 -PERMANENTLY APPLIED ON THE PART WITH 1.5mm LETTER SIZE
 -INFORMATION TO BE PRINTED
 5 DIGIT JULIAN MANUFACTURING DATE STAMP YYDDD



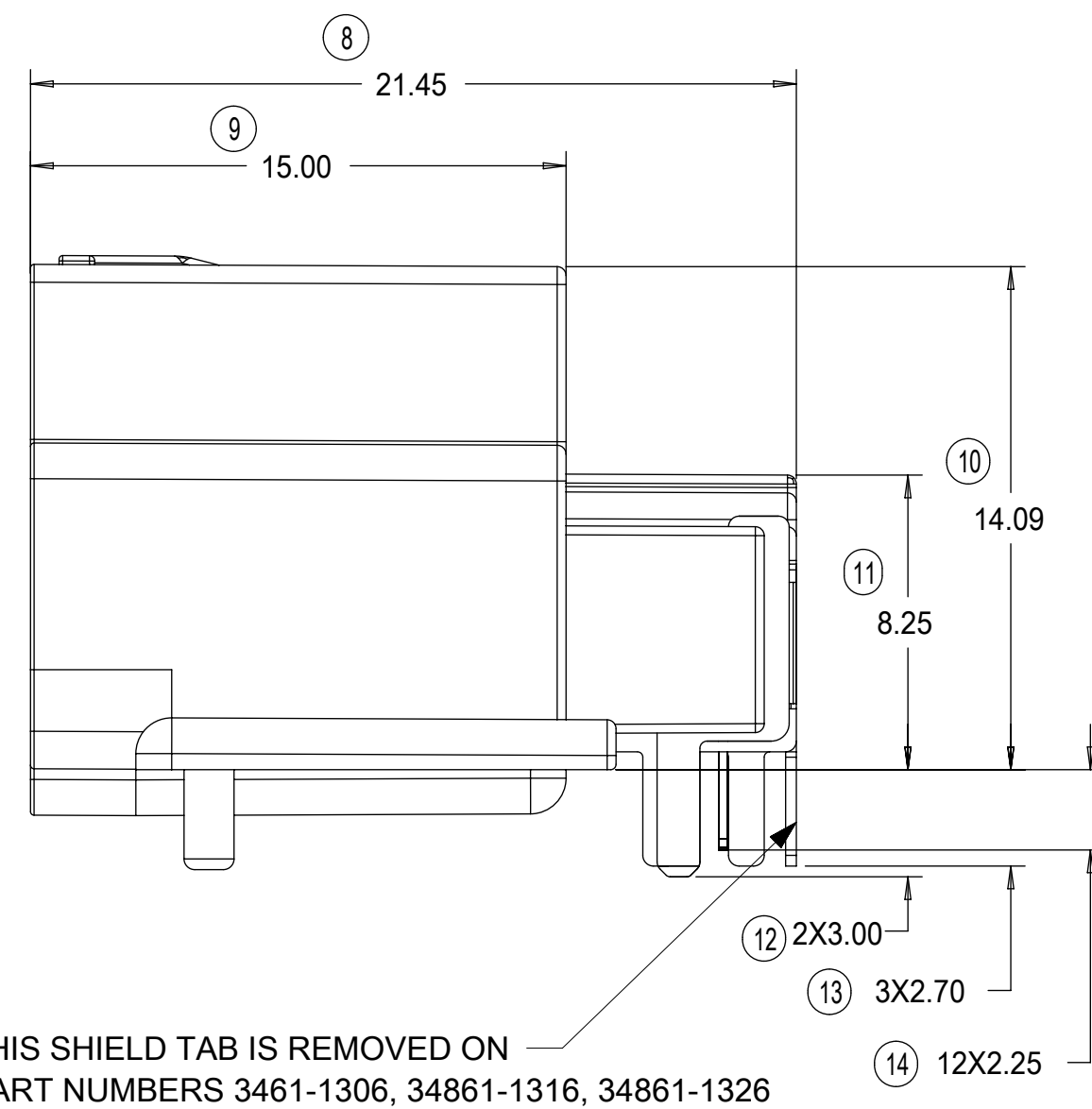
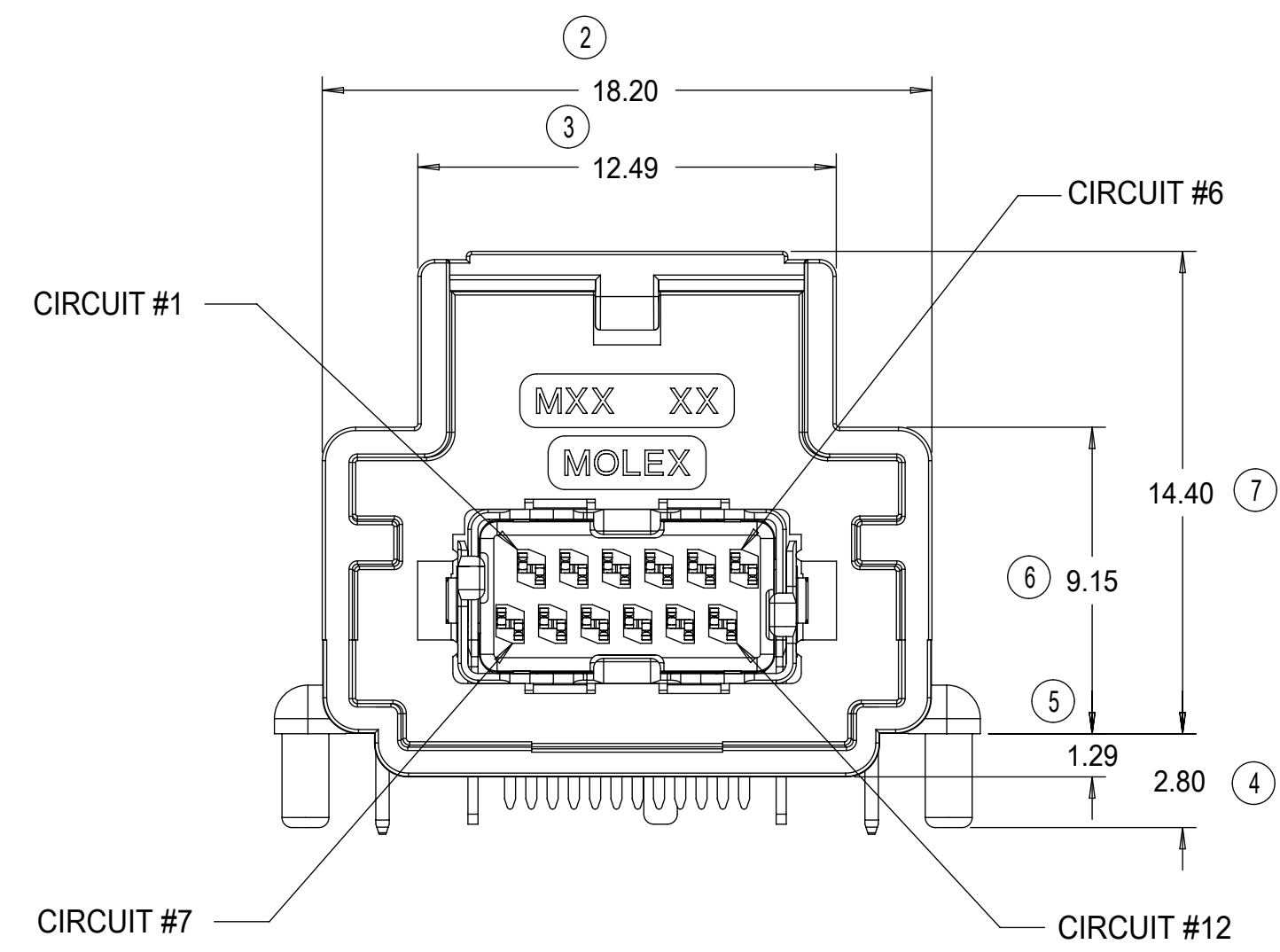
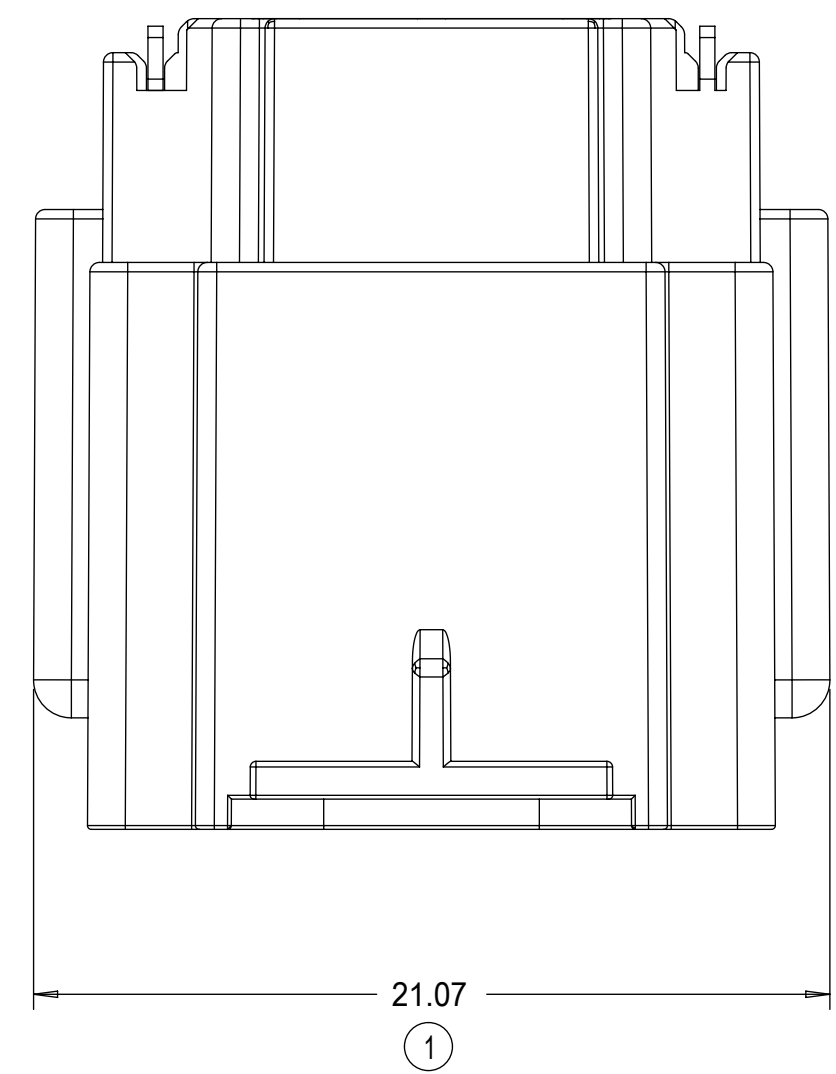
34861-1126

34861-1326 (2 SHIELD TABS)

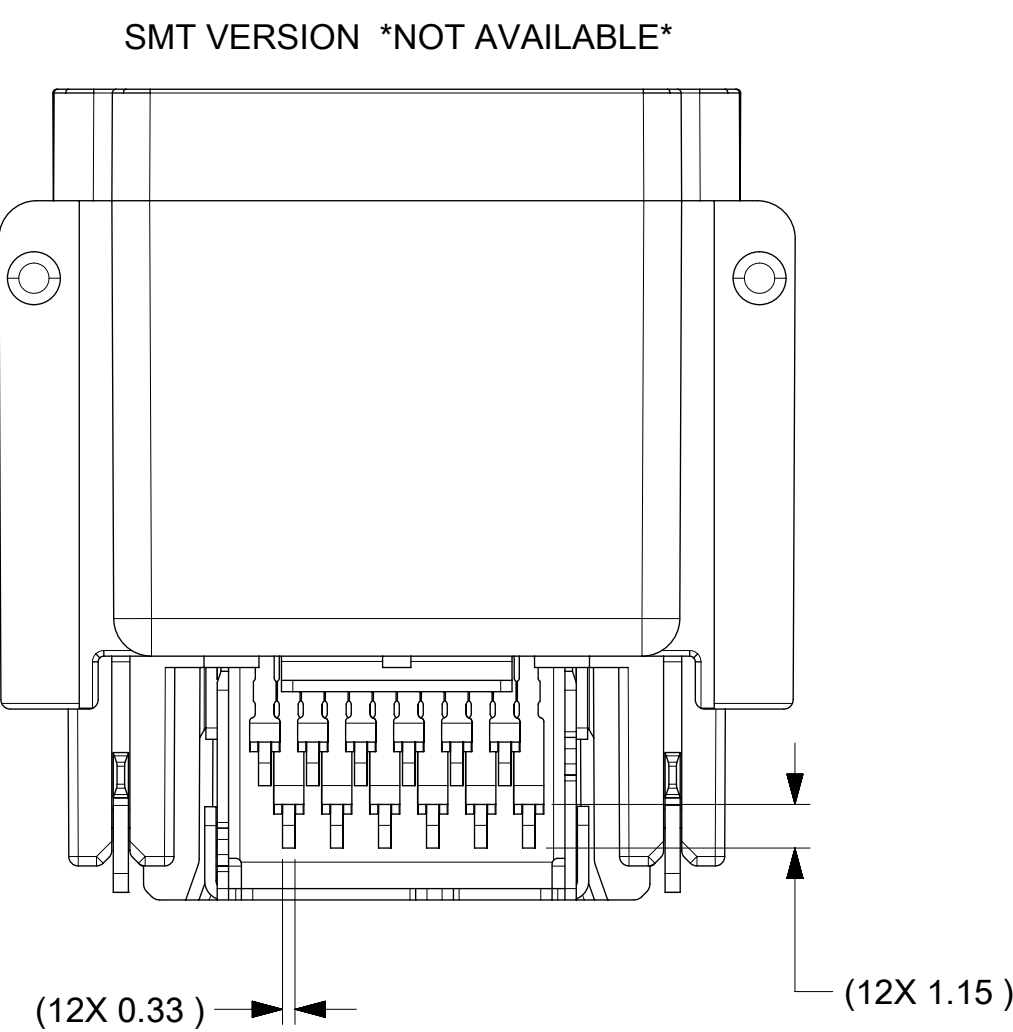
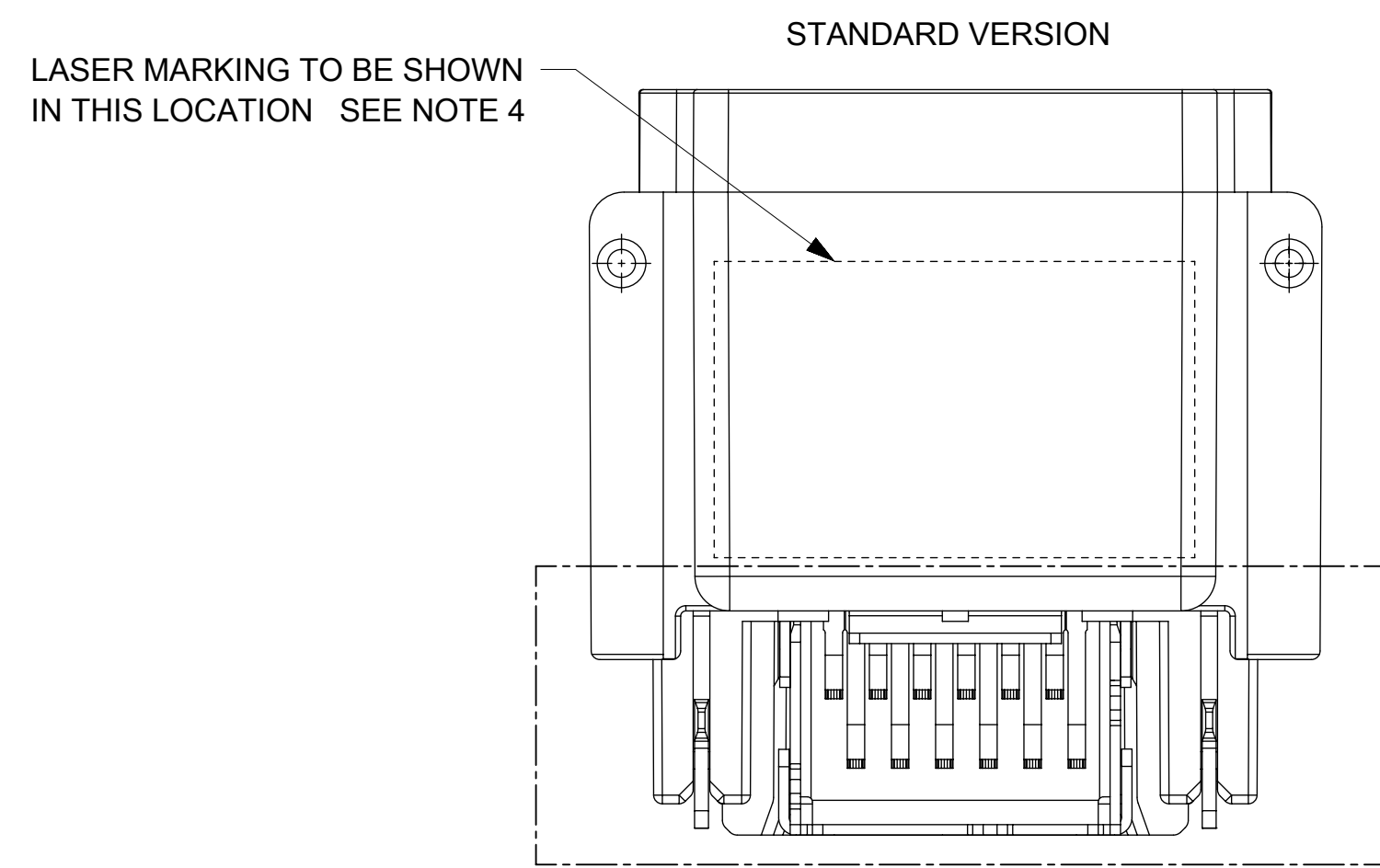
KEY OPTION 'C'

COLOR: BROWN

QUALITY SYMBOLS F = 0 E = 0 E = 0 = 0 C = 0 X = 0 = 0 = 0	THIS DRAWING CONTAINS INFORMATION THAT IS PROPRIETARY TO MOLEX ELECTRONIC TECHNOLOGIES, LLC AND SHOULD NOT BE USED WITHOUT WRITTEN PERMISSION				DIMENSION UNITS MM		SCALE 8:1						
	GENERAL TOLERANCES (UNLESS SPECIFIED) ANGULAR TOL ± ° 4 PLACES ± 3 PLACES ± 2 PLACES ± 0.2 1 PLACE ± 0 PLACES ±		DRWN BY HKASSAB		DATE 2015/12/18		PRODUCT CUSTOMER DRAWING						
EC NO: 119533 DRWN: HKASSAB CHKD: REV APPR: DNAYLIS		2016/11/14 2017/07/19		APPR BY DNAYLIS		DATE 2017/07/19		SERIES 34861		MATERIAL NUMBER SD-34861-1106		CUSTOMER GENERAL MARKET	
DRAFT WHERE APPLICABLE MUST REMAIN WITHIN DIMENSIONS		D		DRAWING SIZE D		THIRD ANGLE PROJECTION		DOCUMENT NUMBER SD-34861-1106		DOC TYPE PSD		DOC PART SHEET NUMBER 000 1 OF 4	

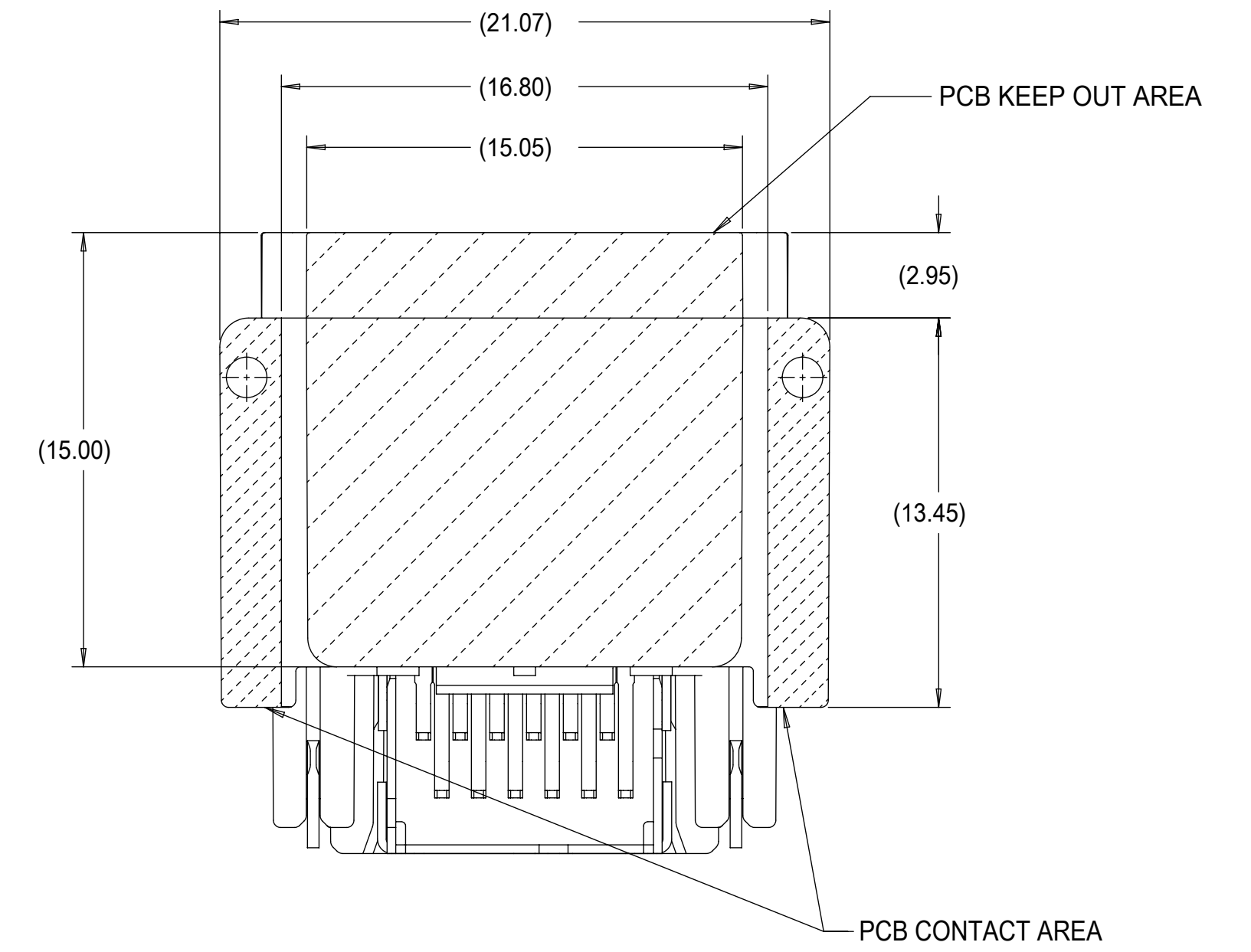


THIS SHIELD TAB IS REMOVED ON PART NUMBERS 3461-1306, 34861-1316, 34861-1326

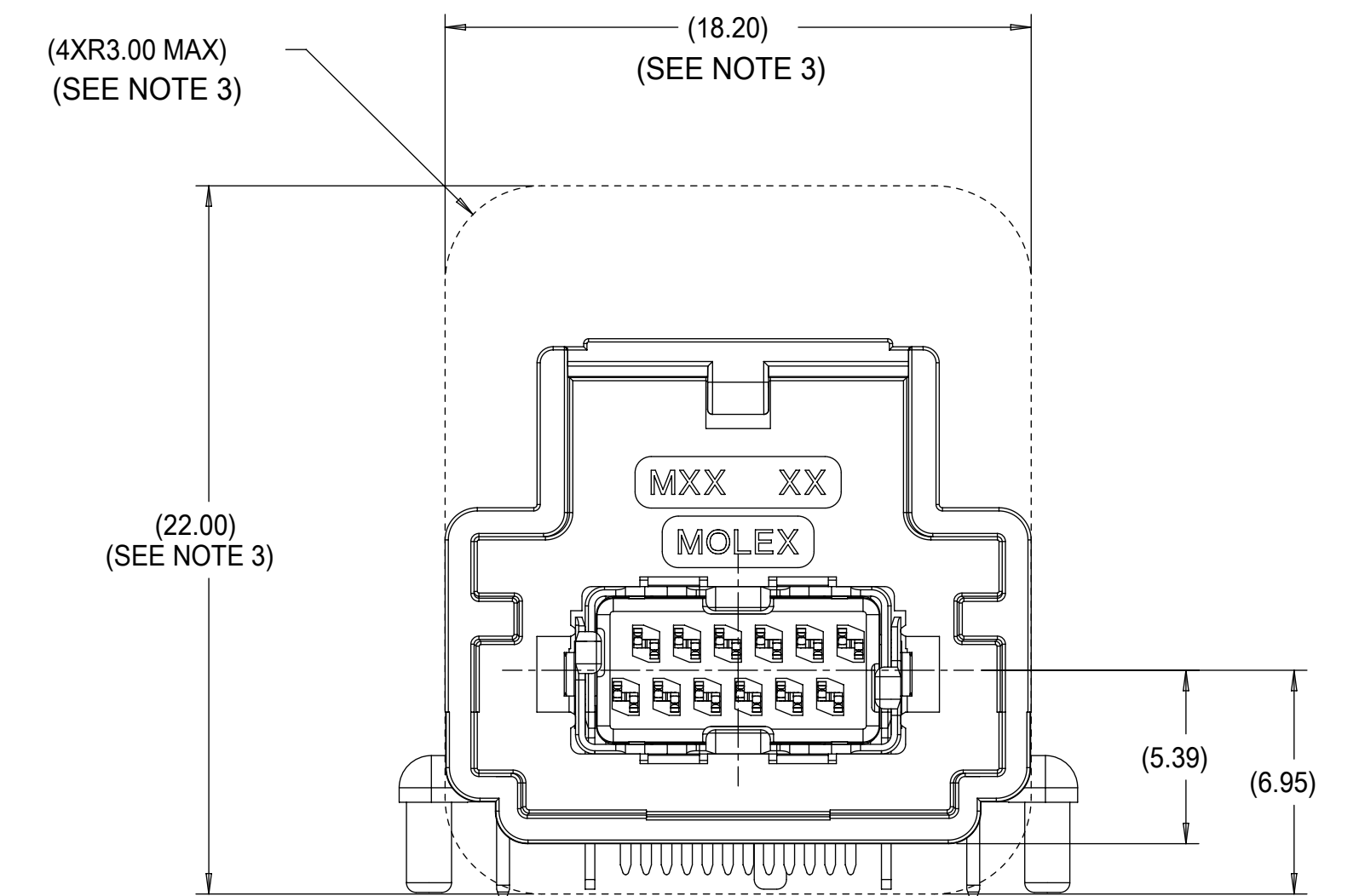


DETAIL 3
SEE SHEET 3

PCB CLEAROUT REGIONS

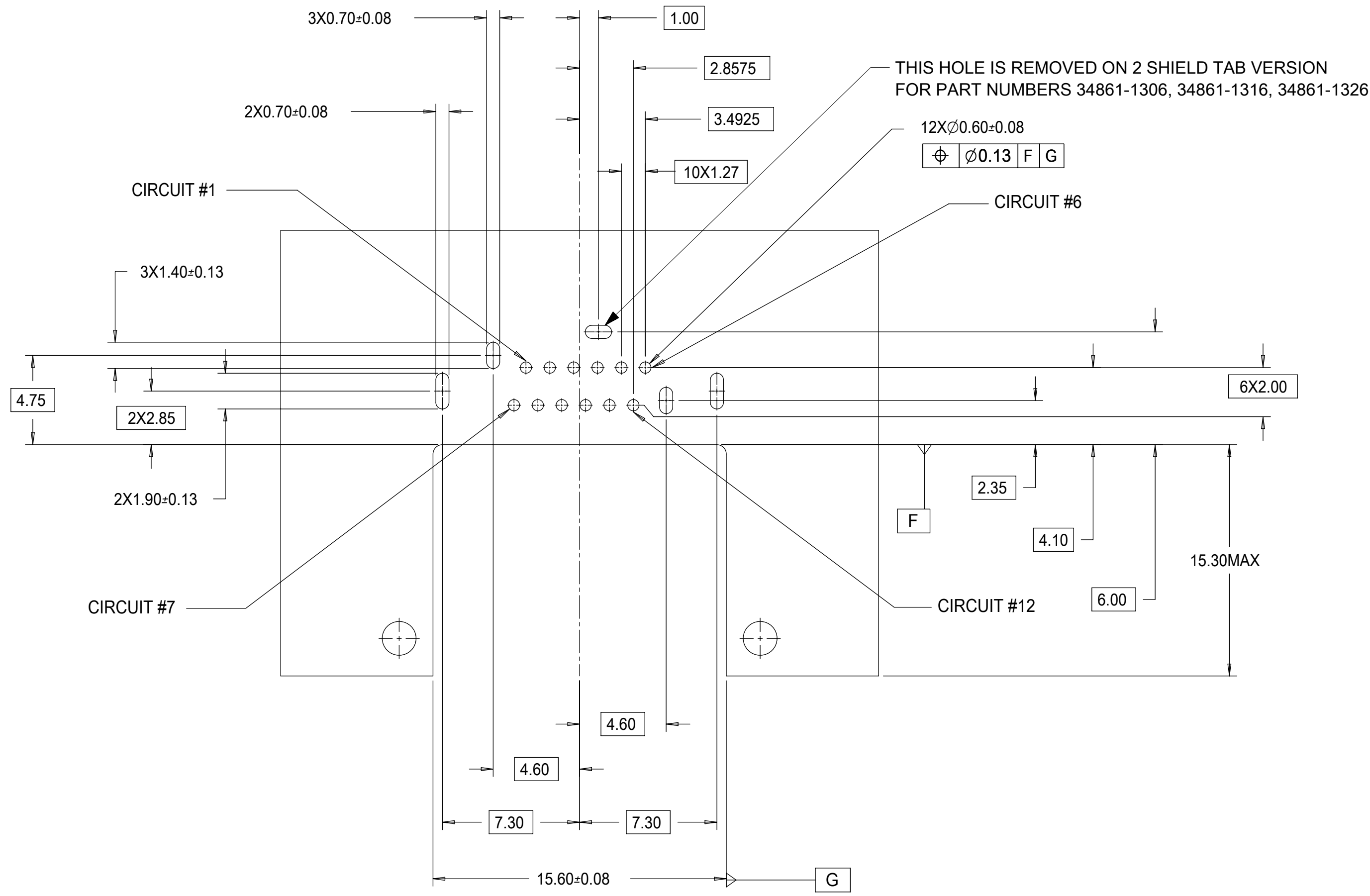


HEADER-TO-MODULE INTERFACE REQUIREMENTS



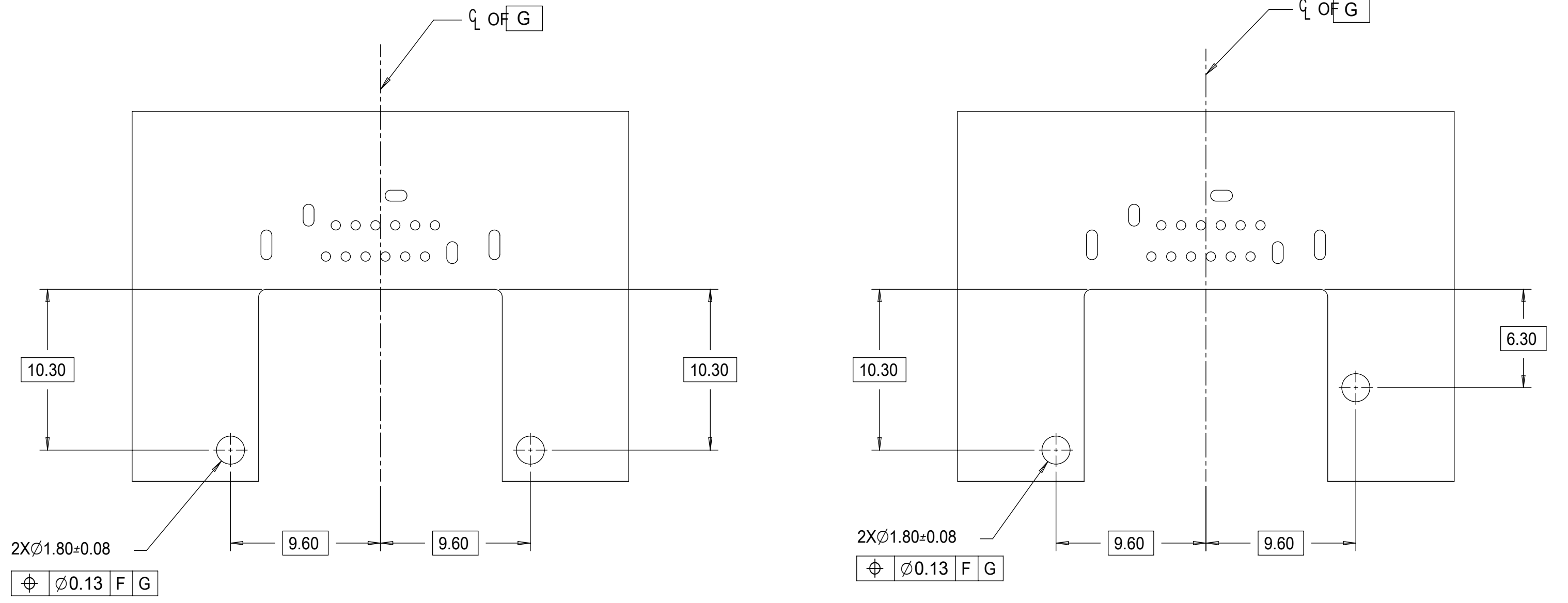
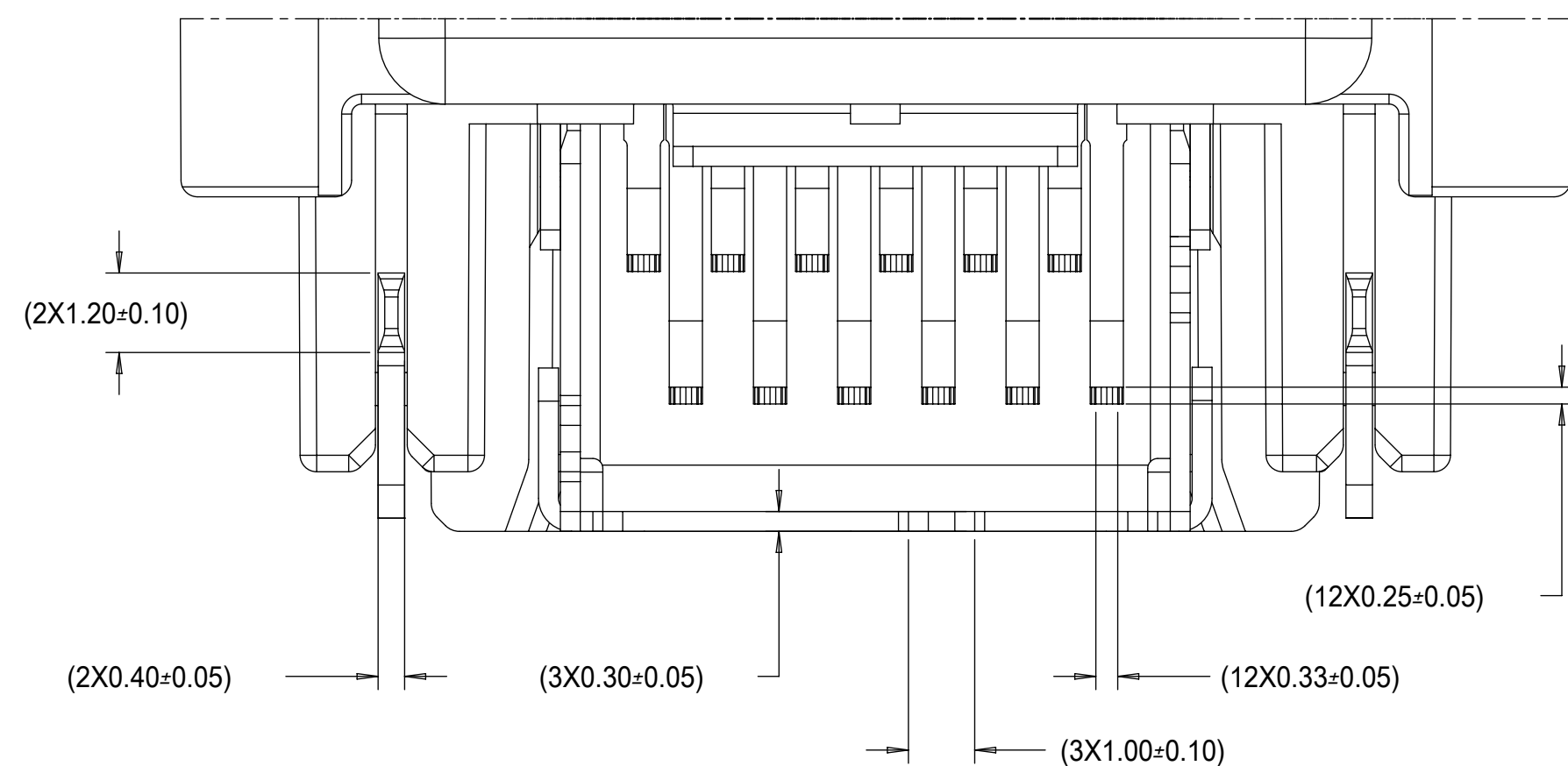
QUALITY SYMBOLS F = 0 E = 0 D = 0 C = 0 B = 0 A = 0 0 PLACES ± DRAFT WHERE APPLICABLE MUST REMAIN WITHIN DIMENSIONS	THIS DRAWING CONTAINS INFORMATION THAT IS PROPRIETARY TO MOLEX ELECTRONIC TECHNOLOGIES, LLC AND SHOULD NOT BE USED WITHOUT WRITTEN PERMISSION									
	2016/11/14	2017/07/19	GENERAL TOLERANCES (UNLESS SPECIFIED)		DIMENSION UNITS	SCALE				
	MM	DATE	4 PLACES ±		DRWN BY	DATE				
	3 PLACES ±	CHKD BY	DATE	HSAUTOLINK II UNSEALED HEADER 12CKT R/A						
	2 PLACES ± 0.2	APPR BY	DATE					PRODUCT CUSTOMER DRAWING		
	1 PLACE ±	DNAYLIS	2017/07/19	SERIES	MATERIAL NUMBER	CUSTOMER				
	0 PLACES ±	DRAWING SIZE	THIRD ANGLE PROJECTION	34861		GENERAL MARKET				
	D		D		DOCUMENT NUMBER	DOC TYPE	DOC PART	SHEET NUMBER		
					SD-34861-1106	PSD	000	2 OF 4		

RECOMMENDED PCB LAYOUT - HEADER SIDE PCB



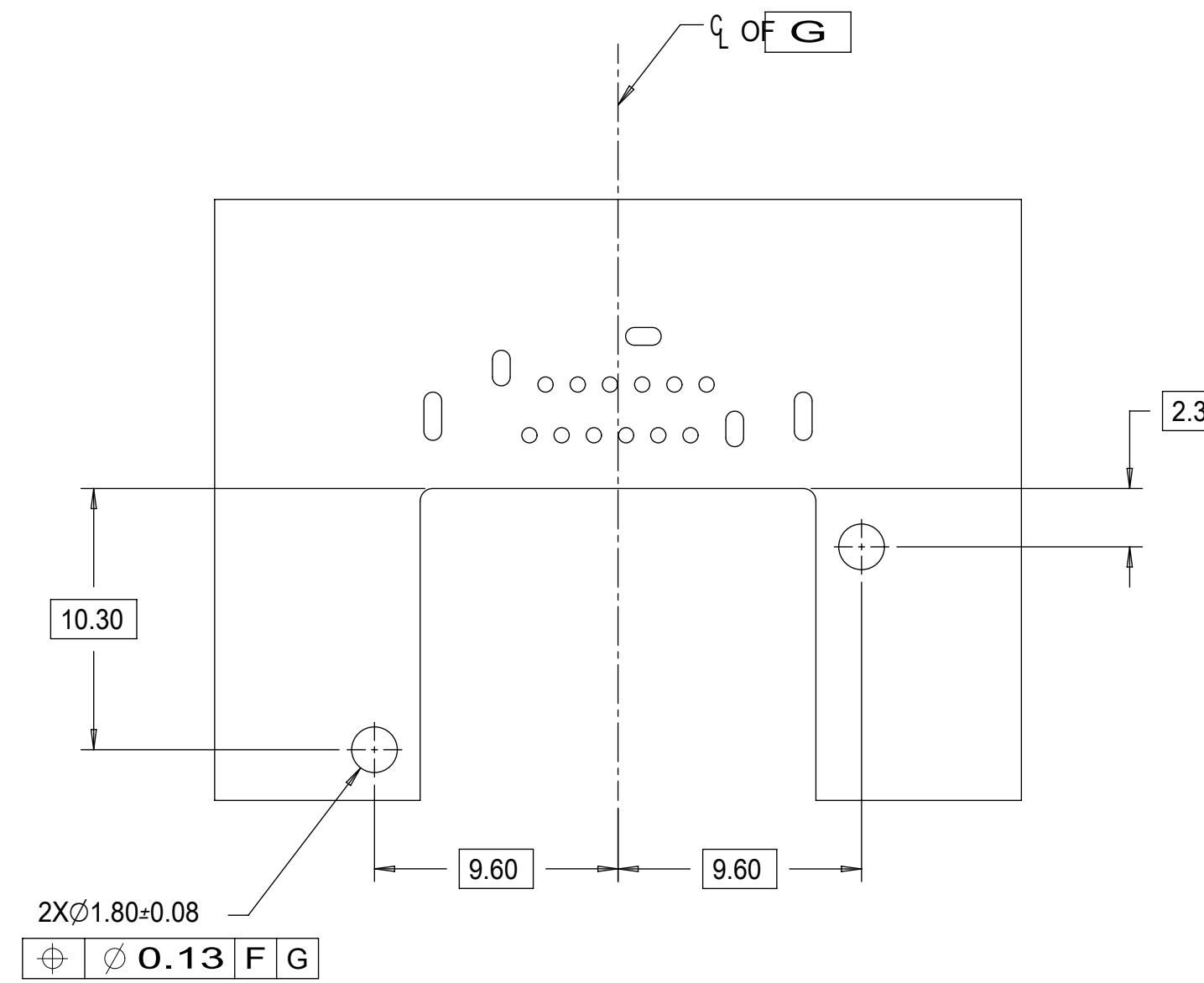
ALL THROUGH HOLE DIMENSIONS ARE APPLICABLE FOR ALL KEY OPTIONS

SOLDER TAILS SIZE FOR REFERENCE ONLY



PCB KEY FEATURES OPTION 'A'

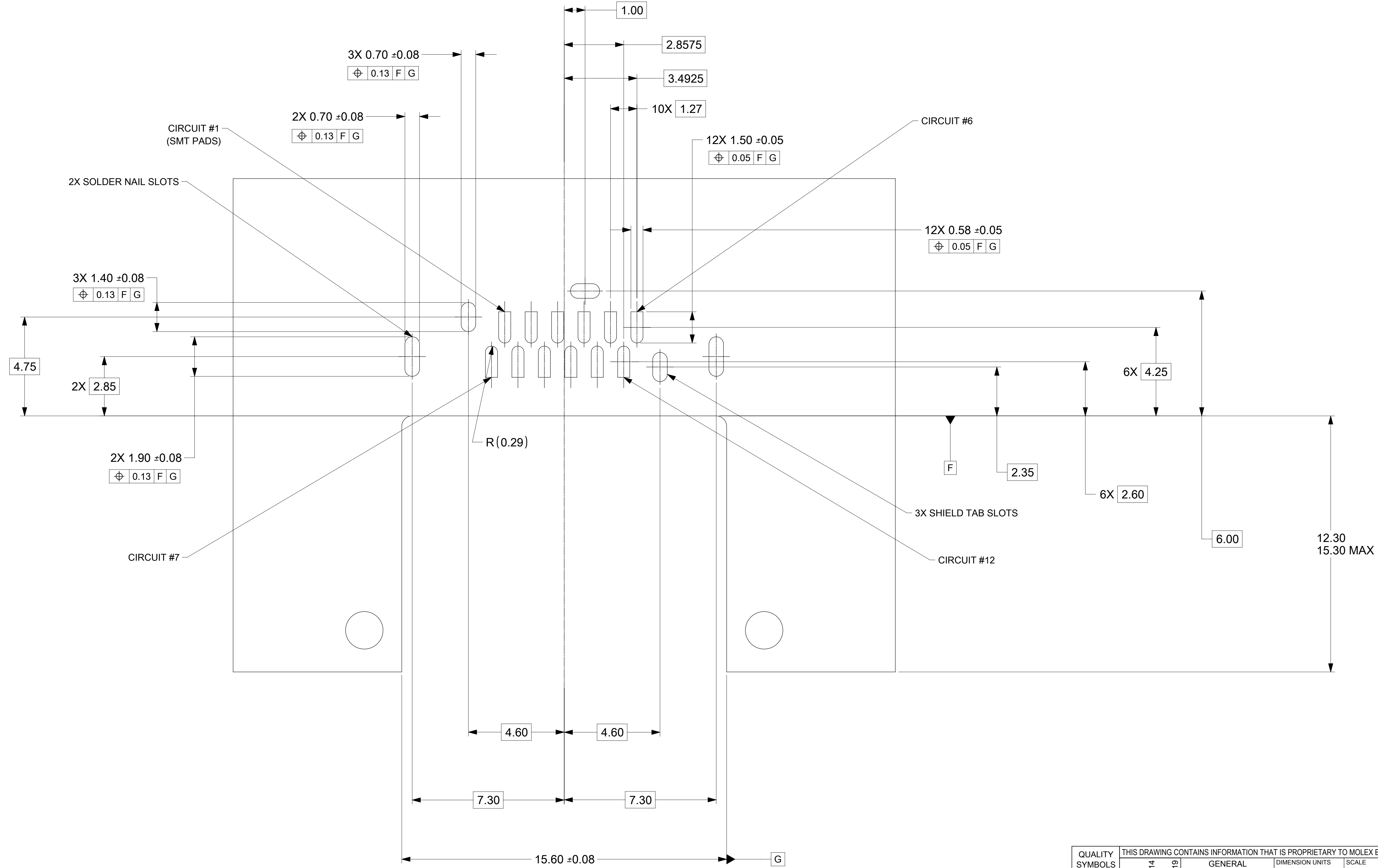
PCB KEY FEATURES OPTION 'B'



PCB KEY FEATURES OPTION 'C'

QUALITY SYMBOLS F = 0 E = 0 F = 0 ▽ = 0 C = 0 ⊠ = 0 ■ = 0 ▽ = 0	THIS DRAWING CONTAINS INFORMATION THAT IS PROPRIETARY TO MOLEX ELECTRONIC TECHNOLOGIES, LLC AND SHOULD NOT BE USED WITHOUT WRITTEN PERMISSION			
	EC NO: 119533 DRWN: HKASSAB CHKD: REV/ APPR: DNAYLIS	2016/11/14 2017/07/19	GENERAL TOLERANCES (UNLESS SPECIFIED) ANGULAR TOL ± ° 4 PLACES ± 3 PLACES ± 2 PLACES ± 0.2 1 PLACE ± 0 PLACES ± DRAFT WHERE APPLICABLE MUST REMAIN WITHIN DIMENSIONS	DIMENSION UNITS: MM SCALE: DRWN BY: HKASSAB DATE: 2015/12/18 CHKD BY: DATE: APPR BY: DNAYLIS DATE: 2017/07/19 DRAWING SIZE: D THIRD ANGLE PROJECTION

RECOMMENDED SMT PCB LAYOUT - HEADER SIDE PCB *NOT AVAILABLE*



QUALITY SYMBOLS		THIS DRAWING CONTAINS INFORMATION THAT IS PROPRIETARY TO MOLEX ELECTRONIC TECHNOLOGIES, LLC AND SHOULD NOT BE USED WITHOUT WRITTEN PERMISSION										
▽ = 0	2016/11/14	GENERAL TOLERANCES (UNLESS SPECIFIED)	DIMENSION UNITS	SCALE	 HSAUTOLINK II UNSEALED HEADER 12CKT R/A							
▽ = 0	EC NO: 119533 DRWN: HKASSAB CHKD: REV APPR: DNAYLIS		MM	DATE					DRWN BY: HKASSAB DATE: 2015/12/18			
▽ = 0			ANGULAR TOL ± °	DATE					CHKD BY: DATE:			
▽ = 0			4 PLACES ±	DATE	APPR BY: DNAYLIS DATE: 2017/07/19							
▽ = 0			3 PLACES ±	DRAWING SIZE: D THIRD ANGLE PROJECTION:								
▽ = 0		2 PLACES ± 0.2	SERIES: 34861 MATERIAL NUMBER: CUSTOMER: GENERAL MARKET									
▽ = 0	1 PLACE ±	DOCUMENT NUMBER: SD-34861-1106 DOC TYPE: PSD DOC PART: 000 SHEET NUMBER: 4 OF 4										
▽ = 0	0 PLACES ±	DRAFT WHERE APPLICABLE MUST REMAIN WITHIN DIMENSIONS										