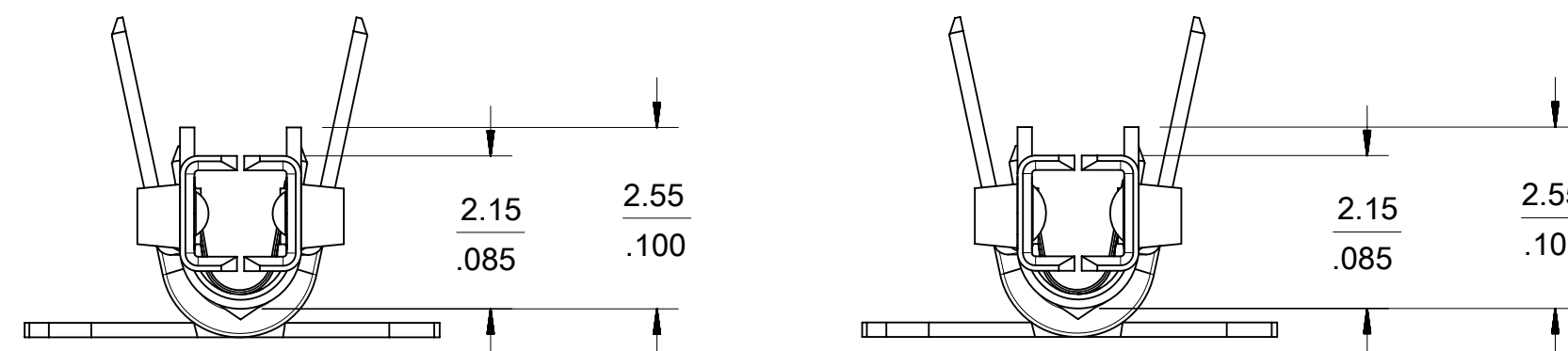
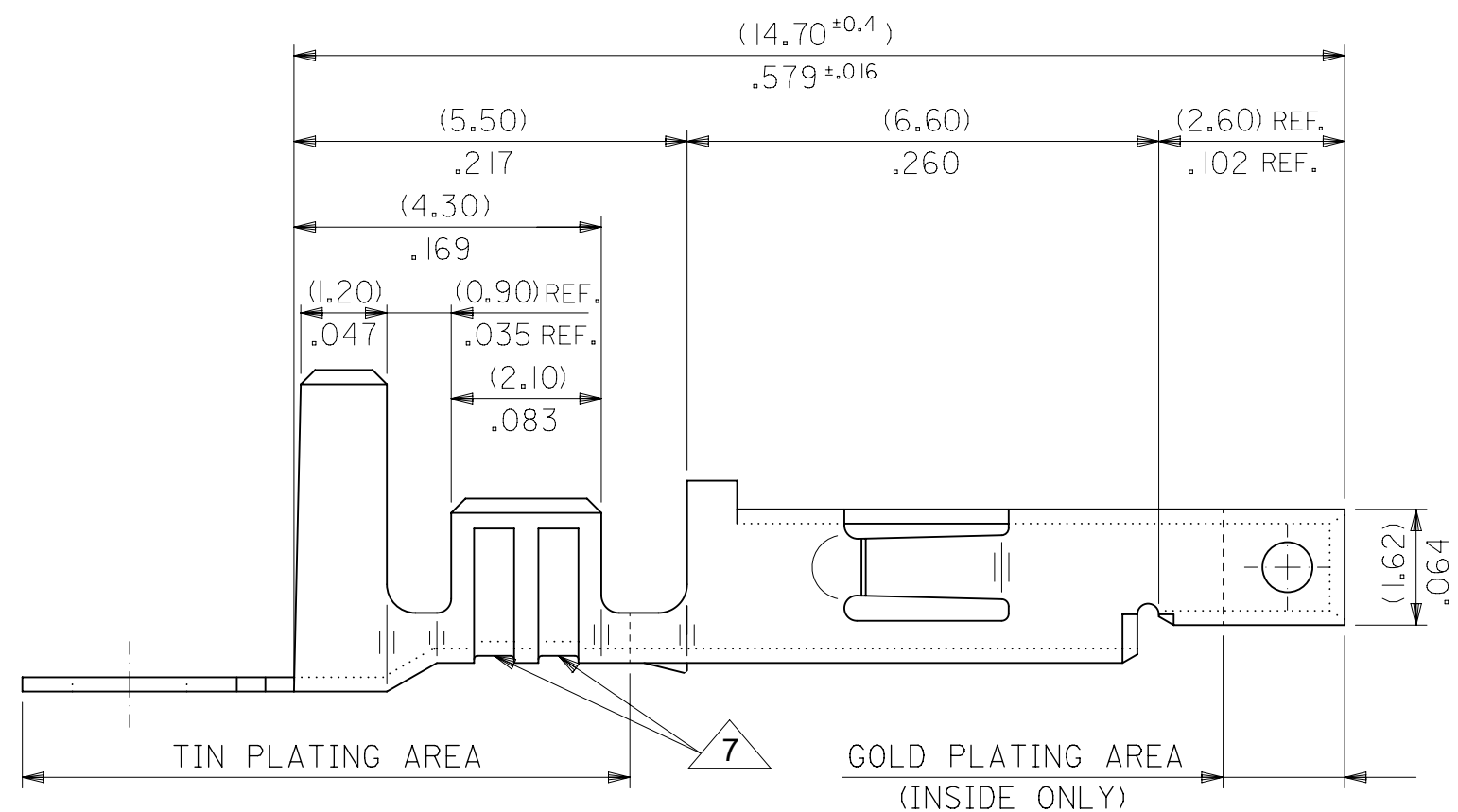
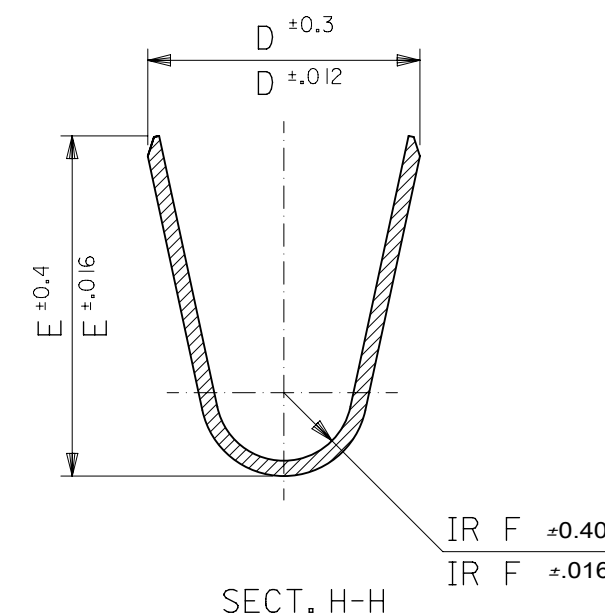
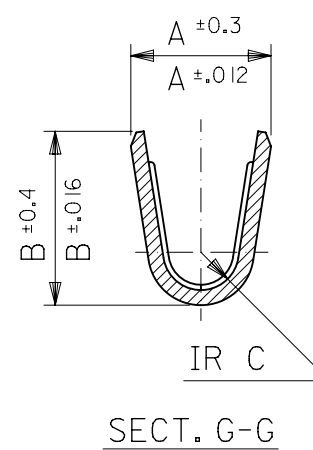
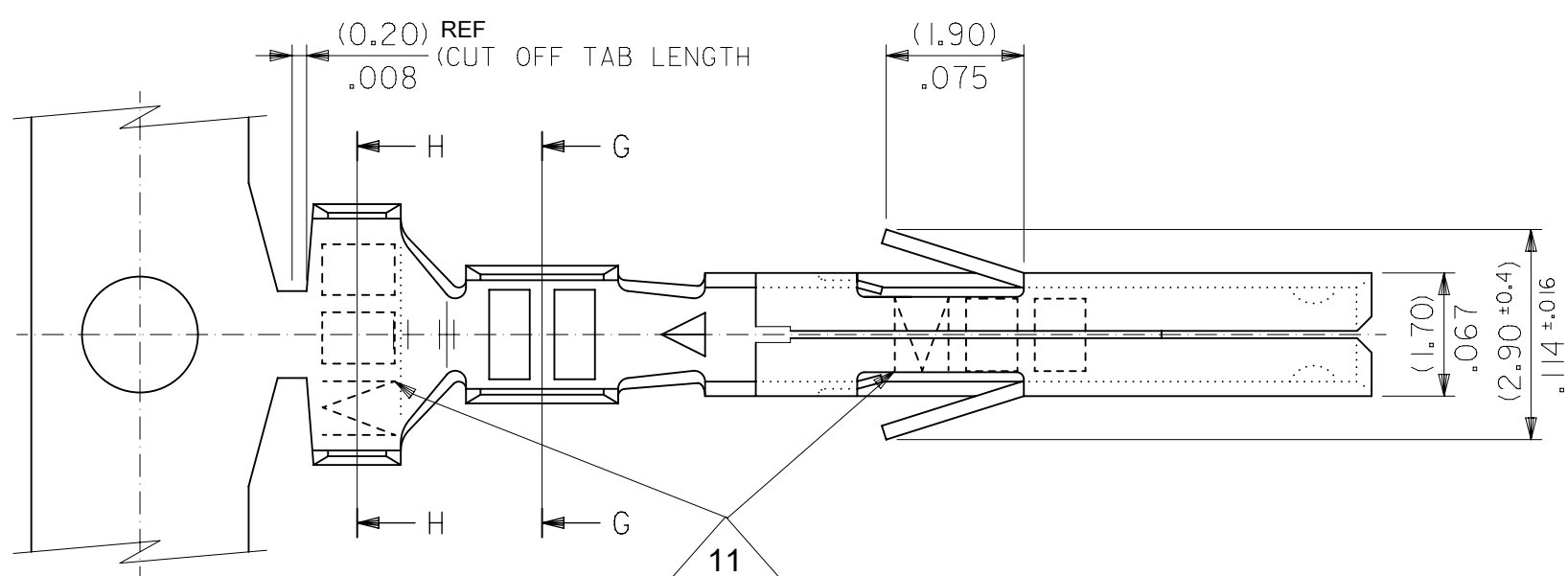


NOTES

1. MATERIAL: SEE CHART.
2. FINISH: SEE CHART.
3. PRODUCT SPECIFICATION: PS-5556-001, PS-5556-002, PS-5556-003.
4. PACKAGING SPECIFICATION: PK-5556-001 FOR CHAIN TERMINALS
PK-5556-003 FOR LOOSE TERMINALS.
5. MATES WITH: 5558, 5566, 5569, 30069, 30070, 42440, 42404, 43879, 43810, 44068.
6. APPLICABLE HOUSING: 5557, 30067, 44516, OR 42474.
7. THE NUMBER OF SERRATIONS TO BE ONE FOR WIRE RANGE #22-28.
8. WHEN TERMINALS ARE INSTALLED IN THE HOUSING THE WIRES ARE TO BE DRESSED IN SUCH A MANNER TO ALLOW THE TERMINALS TO FLOAT FREELY IN THE POCKET.
9. THIS TERMINAL IS DESIGNED FOR SINGLE WIRE CRIMPING.
10. PART CONFORMS TO CLASS "B" REQUIREMENTS OF COSMETIC SPECIFICATION PS-45499-002.
11. TEXT ON PART IS FOR REFERENCE ONLY. TEXT AND TEXT LOCATION MAY VARY DEPENDING ON PART NUMBER AND/OR TOOL.



CONTACT DIMPLE CONFIGURATIONS

#18-24 TERMINAL SHOWN

SYMBOLS	THIS DRAWING CONTAINS INFORMATION THAT IS PROPRIETARY TO MOLEX ELECTRONIC TECHNOLOGIES, LLC AND SHOULD NOT BE USED WITHOUT WRITTEN PERMISSION			
	DIMENSION UNITS	SCALE	CURRENT REV DESC: RELEASE CORRECT REV	
∇ = 0	METRIC	10:1	EC NO: 600022 DRWN: JBELL 2018/02/06 CHK'D: JBELL 2018/02/07 APPR: FSMITH 2018/02/14	
∇ = 0	GENERAL TOLERANCES (UNLESS SPECIFIED)			
∇ = 0		MM	INCH	
S = 0	4 PLACES	±	±	
∇ = 0	3 PLACES	±	± 0.01	
∇ = 0	2 PLACES	± 0.25	± 0.01	
∇ = 0	1 PLACE	± 0.25	±	
∇ = 0	0 PLACES	±	±	
∇ = 0	ANGULAR TOL	± 3.0 °		
∇ = 0	DRAFT WHERE APPLICABLE MUST REMAIN WITHIN DIMENSIONS			
	THIRD ANGLE PROJECTION	DRAWING	SERIES	
		C-SIZE	5556	

molex

MINI FIT JR SELECT GOLD FEMALE CRIMP TERMINAL

PRODUCT CUSTOMER DRAWING

DOCUMENT NUMBER DOC TYPE DOC PART REVISION


SD-5556-006 PSD 001 H

MATERIAL NUMBER CUSTOMER SHEET NUMBER

SEE CHART GENERAL MARKET 1 OF 2

DOCUMENT STATUS	P1	RELEASE DATE	2018/02/14	00:00:21
-----------------	----	--------------	------------	----------

	12	11	10	9	8	7	6	5	4	3	2	1			
H	PHOS BRONZE	SELECTIVE GOLD (0.76um)/30m. in. MIN. AND SELECTIVE TIN (2.54um)/100m.i. MIN. OVER NICKEL (1.27um)/50m. in. MIN. OVERALL			(0.9) .035	(4.5) .177	(3.6) .142	(0.6) .024	(2.7) .106	(2.3) .091	∅ (3.1) .122 MAX.	# 16	▲ -0186 -0185	PBGS3PL PBGS3P	LOOSE CHAIN
		SELECTIVE GOLD (1.27um)/50m. in. MIN. AND SELECTIVE TIN (2.54 μm)/ 100 m.in. MIN. OVER NICKEL (1.27um)/50m. in. MIN. OVERALL			(0.6) .024	(2.3) .091	(2.3) .091	(0.4) .016	(1.65) .065	(1.8) .071	∅ (0.9-1.8) .035-.071	#22-28	-0184 -0183	PBGS2PL PBGS2P	LOOSE CHAIN
		SELECTIVE GOLD (0.76um)/30m. in. MIN. AND SELECTIVE TIN (2.54um)/100m.i. MIN. OVER NICKEL (1.27um)/50m. in. MIN. OVERALL			(0.9) .035	(4.5) .177	(3.6) .142	(0.5) .020	(2.3) .091	(1.9) .075	∅ (1.3-3.1) .051-.122	# 18-24	▼ -0182 3900-0181	PBGSPL PBGSP	LOOSE CHAIN
G	BRASS	SELECTIVE GOLD (1.27um)/50m. in. MIN. AND SELECTIVE TIN (2.54 μm)/ 100 m.in. MIN. OVER NICKEL (1.27um)/50m. in. MIN. OVERALL			(0.9) .035	(4.5) .177	(3.6) .142	(0.6) .024	(2.7) .106	(2.3) .091	∅ (3.1) .122 MAX.	# 16	▲ -0142 -0141	GS9L GS9	LOOSE CHAIN
		SELECTIVE GOLD (0.38um)/15m. in. MIN. AND SELECTIVE TIN (2.54 μm)/ 100 m.in. MIN. OVER NICKEL (1.27um)/50m. in. MIN. OVERALL			(0.6) .024	(2.3) .091	(2.3) .091	(0.4) .016	(1.65) .065	(1.8) .071	∅ (0.9-1.8) .035-.071	#22-28	▼ -0140 39-00-0139	GS8L GS8	LOOSE CHAIN
		SELECTIVE GOLD (0.76um)/30m. in. MIN. AND SELECTIVE TIN (2.54um)/100m.i. MIN. OVER NICKEL (1.27um)/50m. in. MIN. OVERALL			(0.9) .035	(4.5) .177	(3.6) .142	(0.5) .020	(2.3) .091	(1.9) .075	∅ (1.3-3.1) .051-.122	# 18-24	40-13-0852 40-13-0851	GS7L GS7	LOOSE CHAIN
F	MATERIAL	FINISH			(0.9) .035	(4.5) .177	(3.6) .142	(0.6) .024	(2.7) .106	(2.3) .091	∅ (3.1) .122 MAX.	# 16	39-00-0094 ▲ -0093	GS6L GS6	LOOSE CHAIN
		FINISH			(0.6) .024	(2.3) .091	(2.3) .091	(0.4) .016	(1.65) .065	(1.8) .071	∅ (0.9-1.8) .035-.071	#22-28	-0092 -0091	GS5L GS5	LOOSE CHAIN
		FINISH			(0.9) .035	(4.5) .177	(3.6) .142	(0.5) .020	(2.3) .091	(1.9) .075	∅ (1.3-3.1) .051-.122	# 18-24	-0074 -0073	GS4L GS4	LOOSE CHAIN
E	FINISH	FINISH			(0.9) .035	(4.5) .177	(3.6) .142	(0.6) .024	(2.7) .106	(2.3) .091	∅ (3.1) .122 MAX.	# 16	-0090 -0089	GS3L GS3	LOOSE CHAIN
		FINISH			(0.6) .024	(2.3) .091	(2.3) .091	(0.4) .016	(1.65) .065	(1.8) .071	∅ (0.9-1.8) .035-.071	#22-28	-0435 -0434	GS2L7F GS27F	LOOSE CHAIN
		FINISH			(0.9) .035	(4.5) .177	(3.6) .142	(0.5) .020	(2.3) .091	(1.9) .075	∅ (1.3-3.1) .051-.122	# 18-24	▼ -0429 39-00-0428	▼ GSL7F 5556 GS7F	LOOSE CHAIN
D	FINISH	FINISH			(0.9) .035	(4.5) .177	(3.6) .142	(0.6) .024	(2.7) .106	(2.3) .091	∅ (3.1) .122 MAX.	# 16	-0090 -0089	GS3L GS3	LOOSE CHAIN
		FINISH			(0.6) .024	(2.3) .091	(2.3) .091	(0.4) .016	(1.65) .065	(1.8) .071	∅ (0.9-1.8) .035-.071	#22-28	-0435 -0434	GS2L7F GS27F	LOOSE CHAIN
		FINISH			(0.9) .035	(4.5) .177	(3.6) .142	(0.5) .020	(2.3) .091	(1.9) .075	∅ (1.3-3.1) .051-.122	# 18-24	▼ -0429 39-00-0428	▼ GSL7F 5556 GS7F	LOOSE CHAIN
C	FINISH	FINISH			(0.9) .035	(4.5) .177	(3.6) .142	(0.6) .024	(2.7) .106	(2.3) .091	∅ (3.1) .122 MAX.	# 16	-0090 -0089	GS3L GS3	LOOSE CHAIN
		FINISH			(0.6) .024	(2.3) .091	(2.3) .091	(0.4) .016	(1.65) .065	(1.8) .071	∅ (0.9-1.8) .035-.071	#22-28	-0435 -0434	GS2L7F GS27F	LOOSE CHAIN
		FINISH			(0.9) .035	(4.5) .177	(3.6) .142	(0.5) .020	(2.3) .091	(1.9) .075	∅ (1.3-3.1) .051-.122	# 18-24	▼ -0429 39-00-0428	▼ GSL7F 5556 GS7F	LOOSE CHAIN
B	FINISH	FINISH			(0.9) .035	(4.5) .177	(3.6) .142	(0.6) .024	(2.7) .106	(2.3) .091	∅ (3.1) .122 MAX.	# 16	-0090 -0089	GS3L GS3	LOOSE CHAIN
		FINISH			(0.6) .024	(2.3) .091	(2.3) .091	(0.4) .016	(1.65) .065	(1.8) .071	∅ (0.9-1.8) .035-.071	#22-28	-0435 -0434	GS2L7F GS27F	LOOSE CHAIN
		FINISH			(0.9) .035	(4.5) .177	(3.6) .142	(0.5) .020	(2.3) .091	(1.9) .075	∅ (1.3-3.1) .051-.122	# 18-24	▼ -0429 39-00-0428	▼ GSL7F 5556 GS7F	LOOSE CHAIN
A	FINISH	FINISH			(0.9) .035	(4.5) .177	(3.6) .142	(0.6) .024	(2.7) .106	(2.3) .091	∅ (3.1) .122 MAX.	# 16	-0090 -0089	GS3L GS3	LOOSE CHAIN
		FINISH			(0.6) .024	(2.3) .091	(2.3) .091	(0.4) .016	(1.65) .065	(1.8) .071	∅ (0.9-1.8) .035-.071	#22-28	-0435 -0434	GS2L7F GS27F	LOOSE CHAIN
		FINISH			(0.9) .035	(4.5) .177	(3.6) .142	(0.5) .020	(2.3) .091	(1.9) .075	∅ (1.3-3.1) .051-.122	# 18-24	▼ -0429 39-00-0428	▼ GSL7F 5556 GS7F	LOOSE CHAIN

SYMBOLS	THIS DRAWING CONTAINS INFORMATION THAT IS PROPRIETARY TO MOLEX ELECTRONIC TECHNOLOGIES, LLC AND SHOULD NOT BE USED WITHOUT WRITTEN PERMISSION															
	DIMENSION UNITS	SCALE		CURRENT REV DESC: RELEASE CORRECT REV												
∇ = 0	METRIC	10:1		EC NO: 600022										DOCUMENT NUMBER		DOC TYPE
∇ = 0	GENERAL TOLERANCES (UNLESS SPECIFIED)			DRWN: JBELL 2018/02/06								MINI FIT JR SELECT GOLD FEMALE CRIMP TERMINAL				
∇ = 0				CHK'D: JBELL 2018/02/07								PRODUCT CUSTOMER DRAWING				
S = 0	4 PLACES ±			APPR: FSMITH 2018/02/14								INITIAL REVISION:				
▼ = 0	3 PLACES ±			DRWN: HHIRAMOT 1991/05/18								DOCUMENT NUMBER				
∇ = 0	2 PLACES ± 0.25 ± 0.01			APPR: FSMITH 2013/01/11								SD-5556-006				
∇ = 0	1 PLACE ± 0.25 ±			DRWN: HHIRAMOT 1991/05/18								PSD 001 H				
⊠ = 0	0 PLACES ±			APPR: FSMITH 2013/01/11								MATERIAL NUMBER				
■ = 0	ANGULAR TOL ± 3.0 °			THIRD ANGLE PROJECTION				DRAWING		SERIES		CUSTOMER		SHEET NUMBER		
∇ = 0	DRAFT WHERE APPLICABLE MUST REMAIN WITHIN DIMENSIONS			C-SIZE				5556		SEE CHART		GENERAL MARKET		2 OF 2		

DOCUMENT STATUS	P1	RELEASE DATE	2018/02/14	00:00:21
-----------------	----	--------------	------------	----------