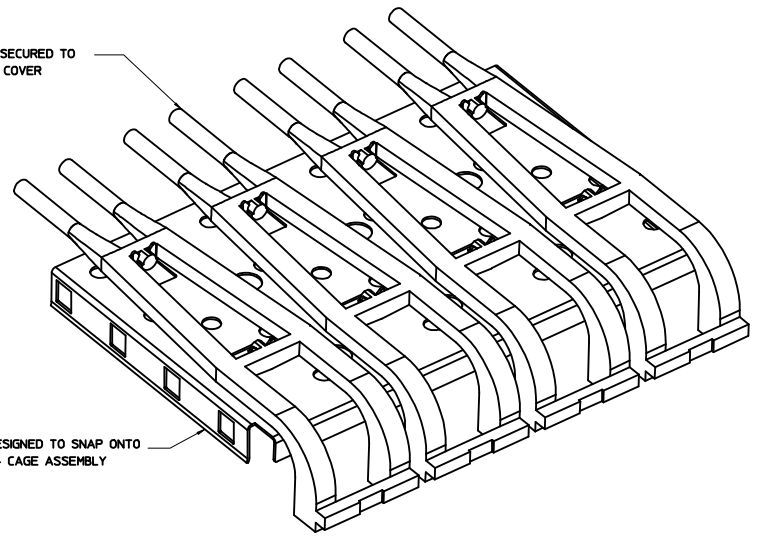
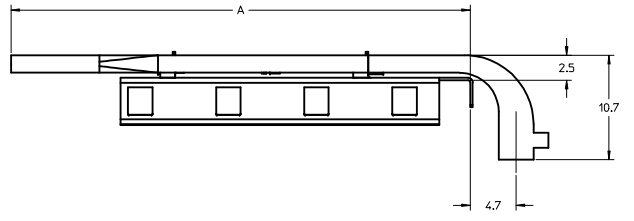
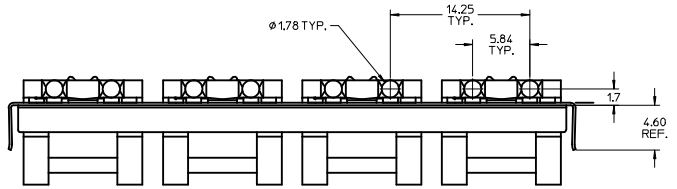


LIGHT PIPES SECURED TO METAL CAGE COVER



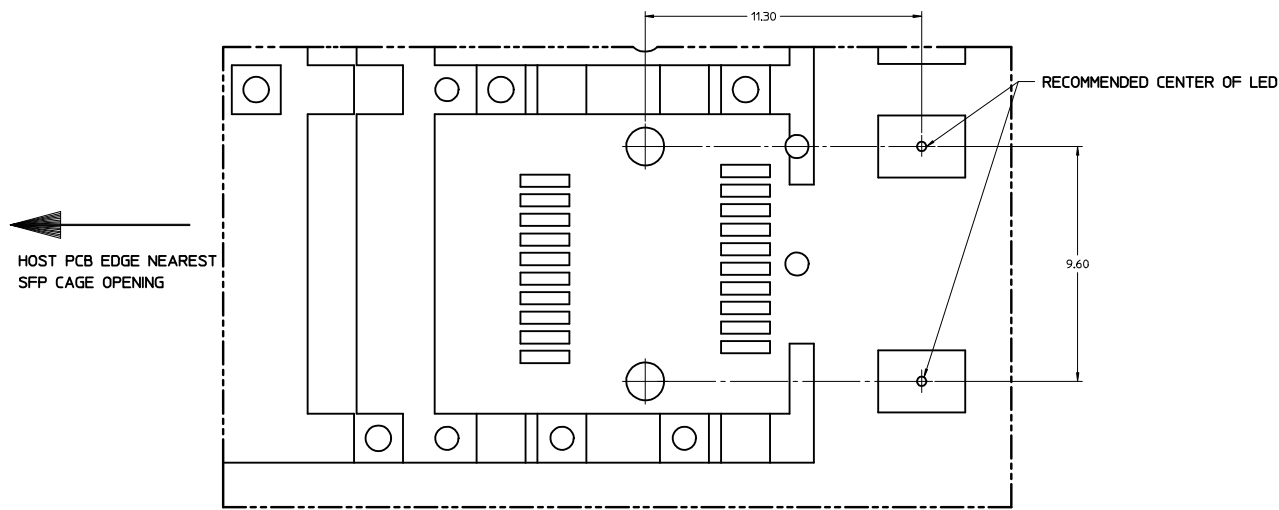
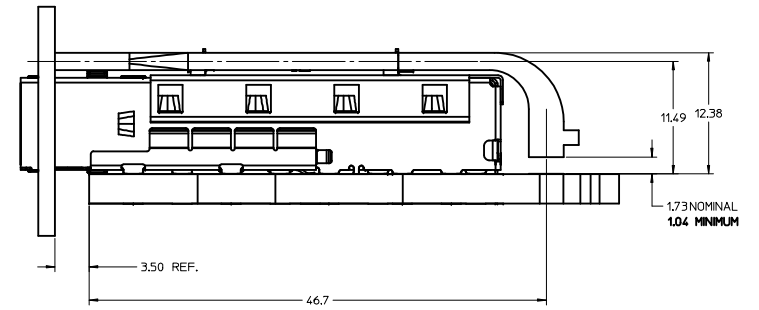
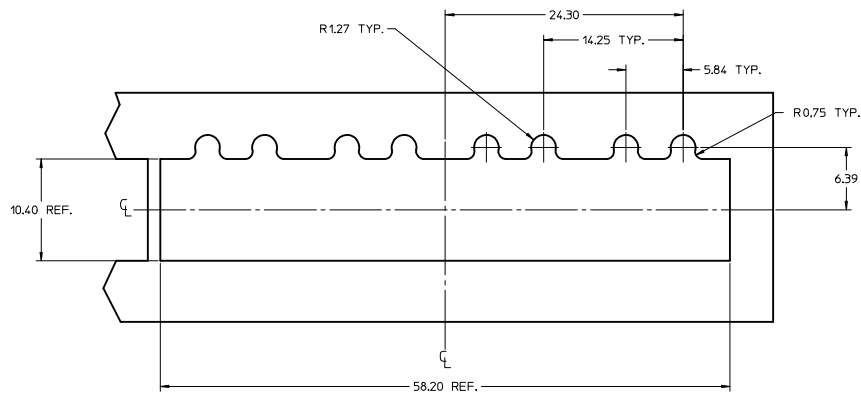
COVER DESIGNED TO SNAP ONTO THE SFP+ CAGE ASSEMBLY



P/N	DIM 'A'	DIM 'B'
74754-0043	46.9	54.9
74754-0045	45.9	53.9

1. MATERIAL:
COVER: COPPER ALLOY
LIGHT PIPE: POLYCARBONATE (94-V0 RATED)
2. THIS LIGHT PIPE ASSEMBLY IS TO BE USED WITH THE SFP+ 1X4 CAGE ASSEMBLY P/N 7475404**
3. IT IS RECOMMENDED THAT THE CAGE BE PRESSED INTO OR SOLDERED TO THE PCB PRIOR TO ASSEMBLING THE LIGHT PIPE ASSEMBLY.
4. NO ROHS EXEMPTIONS

ADDED P/N EC NO: CPG2013-0897 DRAWN BY: CHYK/MCKERVEY 2013/01/14 CHECKED BY: APPR:K LLOYD 2013/01/17 DESCRIPTION:	QUALITY SYMBOLS ▽=0 ▽=0	GENERAL TOLERANCES (UNLESS SPECIFIED): mm INCH 4 PLACES ±--- ±--- 3 PLACES ±--- ±--- 2 PLACES ±0.15 ±--- 1 PLACE ±0.25 ±--- ANGULAR ± 1 °	DIMENSION STYLE MM ONLY	SCALE 4:1	DESIGN UNITS METRIC	THIRD ANGLE PROJECTION
	DRAWN BY: MCKERVEY 2009.10.05 CHECKED BY: ARINKE 2009.10.06 APPROVED BY: KJANOTA 2009.10.06	DATE: 2009.10.05 DATE: 2009.10.06 DATE: 2009.10.06	MATERIAL NO. SEE TABLE	TITLE SFP+ 1X4 LIGHT PIPE COVER ASSY, ULTRA LOW PROFILE, BACK TOP	DOCUMENT NO. SD-74754-0043	SHEET NO. 1 OF 3



HOST PCB LAYOUT (SCALE 10:1)
 1. LED SHOULD BE PLACED RELATIVE TO THE SFP CONNECTOR POST HOLES
 2. LAYOUT APPLIES TO EACH PORT

ADDED P/N IEC NO: CPG2013-0897 DRAWN BY: CHYKMMCKERVEY CHECKED BY: APPR:KLLOYD DATE: 2013/01/14 DATE: 2013/01/17	QUALITY SYMBOLS 	GENERAL TOLERANCES (UNLESS SPECIFIED)		DIMENSION STYLE MM ONLY	SCALE 4:1	DESIGN UNITS METRIC	THIRD ANGLE PROJECTION
		4 PLACES ± 0.15 ± 0.005 ± 0.001 3 PLACES ± 0.15 ± 0.005 ± 0.001 2 PLACES ± 0.15 ± 0.005 ± 0.001 1 PLACE ± 0.25 ± 0.005 ± 0.001	mm INCH	DRAWN BY: MCKERVEY DATE: 2009.10.05 CHECKED BY: ARI INKE DATE: 2009.10.06 APPROVED BY: KJANOTA DATE: 2009.10.06	TITLE: SFP+ 1X4 LIGHT PIPE COVER ASSY, ULTRA LOW PROFILE, BACK TOP		
		DRAFT WHERE APPLICABLE MUST REMAIN WITHIN DIMENSIONS		MATERIAL NO. SEE SHEET 1 SIZE D	DOCUMENT NO. SD-74754-0043 SHEET NO. 2 OF 3		
		MOLEX INCORPORATED					

DATE	REV	DESCRIPTION
2009/10/05	A	INITIAL RELEASE
2013/01/11	B	ADDED PN 74754-0045 AND PN TABLE TO SHEET 1. CHANGED NOTE 4 TO NO ROHS EXEMPTIONS.

ADDED P/N IEC NO: CPG2013-0897 DRAWN BY: CHYK/MCKERVEY CHECKED BY: APPR:KLLOYD	2013/01/11 2013/01/14 2013/01/17	QUALITY SYMBOLS =0 =0	GENERAL TOLERANCES (UNLESS SPECIFIED)		DIMENSION STYLE MM ONLY	SCALE 3:1	DESIGN UNITS METRIC	THIRD ANGLE PROJECTION
			4 PLACES ± --- ± --- 3 PLACES ± --- ± --- 2 PLACES ± 0.15 ± --- 1 PLACE ± 0.25 ± --- ANGULAR ± 1 °	DRAWN BY: MCKERVEY DATE: 2009.10.05 CHECKED BY: ARINKE DATE: 2009.10.06 APPROVED BY: KJANOTA DATE: 2009.10.06	TITLE SFP+ 1X4 LIGHT PIPE COVER ASSY, ULTRA LOW PROFILE, BACK TOP			
DRAFT WHERE APPLICABLE MUST REMAIN WITHIN DIMENSIONS		MATERIAL NO. SEE SHEET 1		DOCUMENT NO. SD-74754-0043		SHEET NO. 3 OF 3		
THIS DRAWING CONTAINS INFORMATION THAT IS PROPRIETARY TO MOLEX INCORPORATED AND SHOULD NOT BE USED WITHOUT WRITTEN PERMISSION								