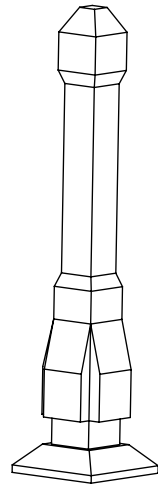


NOTES:

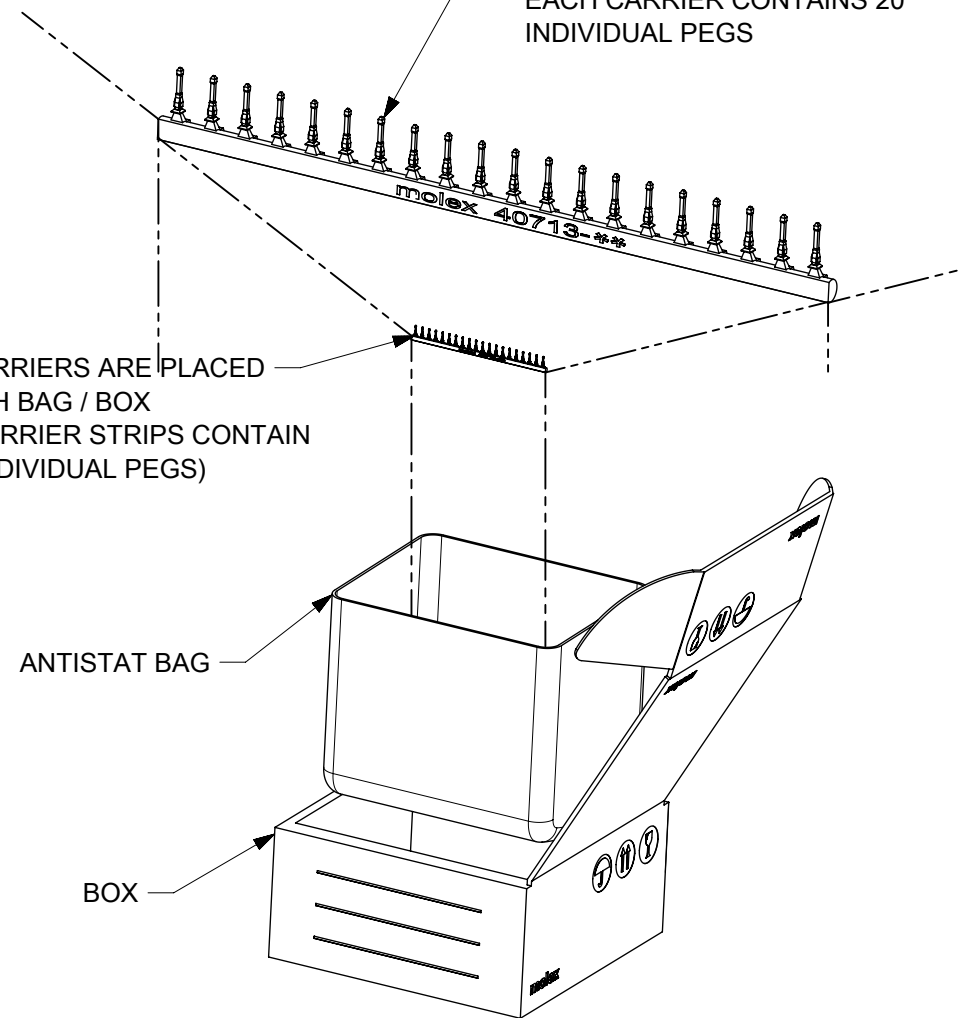
1. PEGS FOR USE WITH SL HOUSING 70066 OR OTHER HOUSINGS THAT HAVE WINDOW OPENINGS OF 0.96 / 0.81
2. MATERIAL: GLASS FILLED POLYESTER SEE CHART
3. PEG FUNCTIONS IN HOUSINGS WITH AND WITHOUT TERMINALS

INDIVIDUAL PEGS
SEE CHART FOR OPTIONS



INDIVIDUAL PEGS
ARE SHIPPED ON A CARRIER.
EACH CARRIER CONTAINS 20
INDIVIDUAL PEGS

250 CARRIERS ARE PLACED
IN EACH BAG / BOX
(250 CARRIER STRIPS CONTAIN
5000 INDIVIDUAL PEGS)



MATERIAL NO	ENGINEERING NO	COLOR
15-04-0292	40713-01	BLACK
15-04-0293	40713-02	WHITE

THIS DRAWING CONTAINS INFORMATION THAT IS PROPRIETARY TO MOLEX ELECTRONIC TECHNOLOGIES, LLC AND SHOULD NOT BE USED WITHOUT WRITTEN PERMISSION										
QUALITY SYMBOLS ▽ = 0 ▽ = 0 ▽ = 0 ▼ = 0 ▽ = 0 ⊠ = 0 ■ = 0 ▽ = 0	ADD PACKAGING EC NO: 121680 DRWN: KSAMIEC CHKD: APPR: FSMITH	2017/09/11 2017/09/12	GENERAL TOLERANCES (UNLESS SPECIFIED)		DIMENSION UNITS	SCALE	 UNIVERSAL POLARIZING PEGS PRODUCT CUSTOMER DRAWING			
			ANGULAR TOL ± °		mm	10:1				
			4 PLACES ±	DRWN BY	DATE	KSAMIEC 2017/09/11				
			3 PLACES ±	CHK'D BY	DATE	CHKD BY				
			2 PLACES ± 0.13	APPR BY	DATE	FSMITH 2017/09/12				
1 PLACE ± 0.25	DRAWING SIZE		THIRD ANGLE PROJECTION		SERIES	MATERIAL NUMBER	CUSTOMER			
0 PLACES ± 0.0	DRAFT WHERE APPLICABLE MUST REMAIN WITHIN DIMENSIONS		B		40713	SEE CHART				
					DOCUMENT NUMBER	DOC TYPE	DOC PART	SHEET NUMBER		
					407130000-SD	PSD	000	1 OF 1		