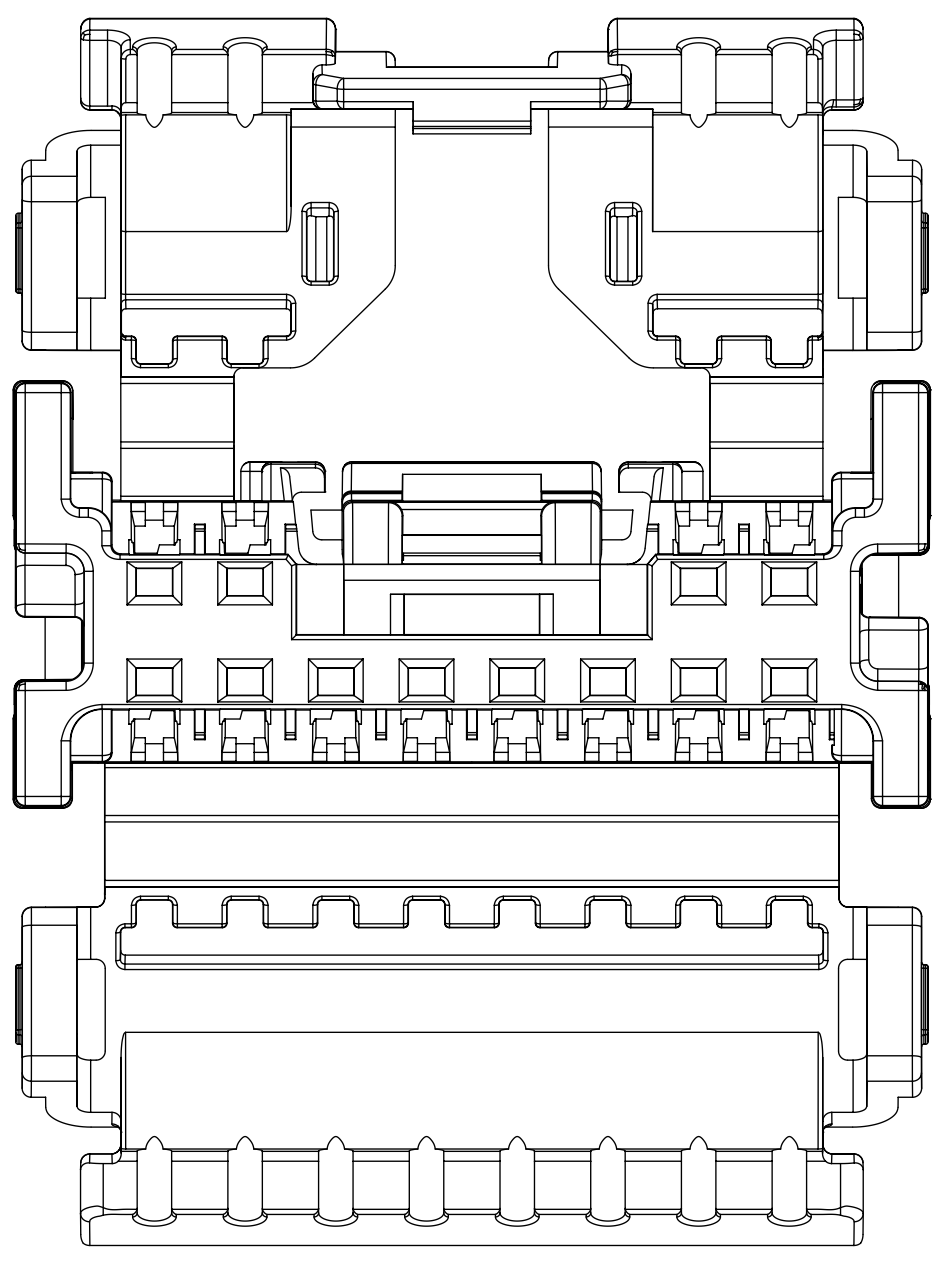
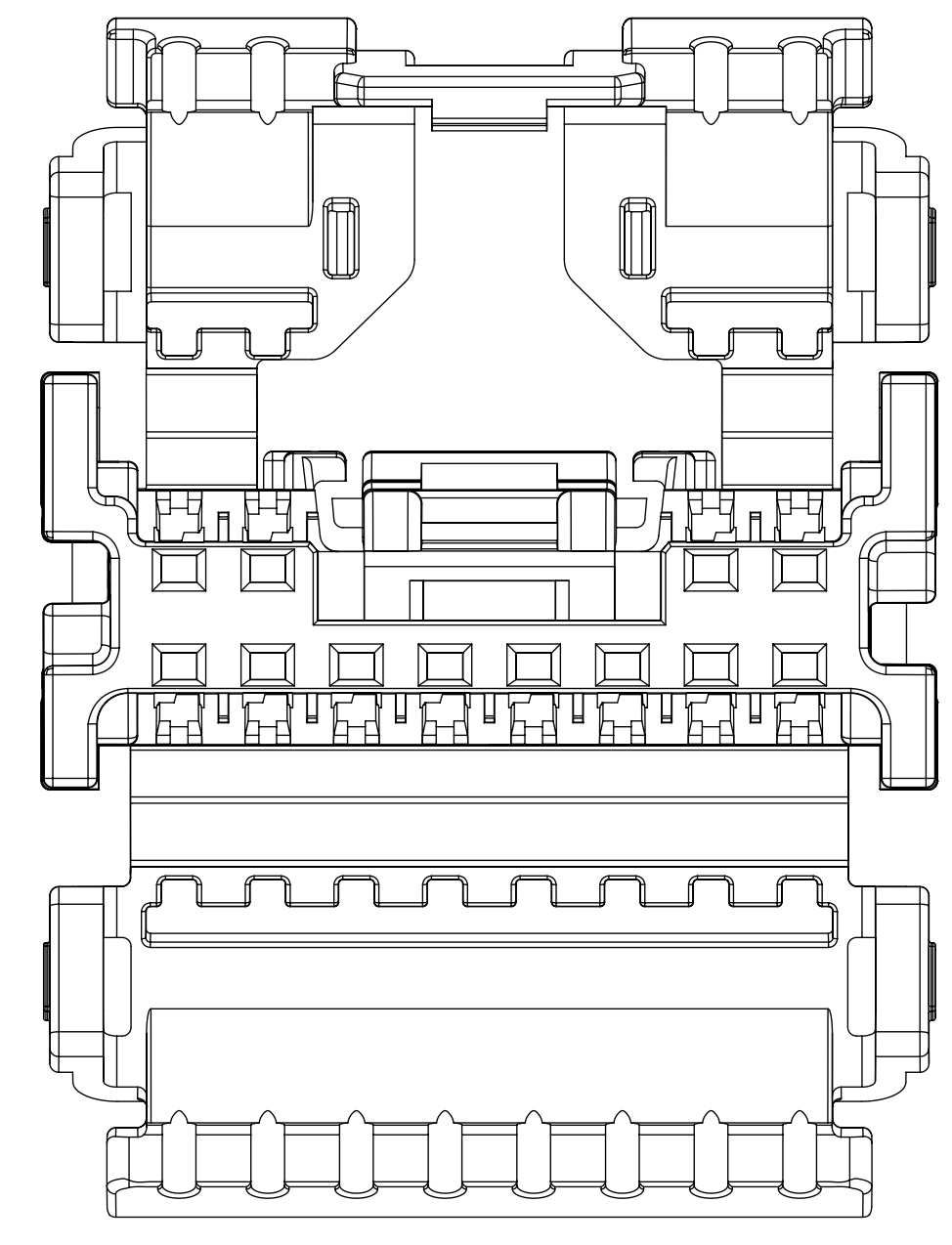


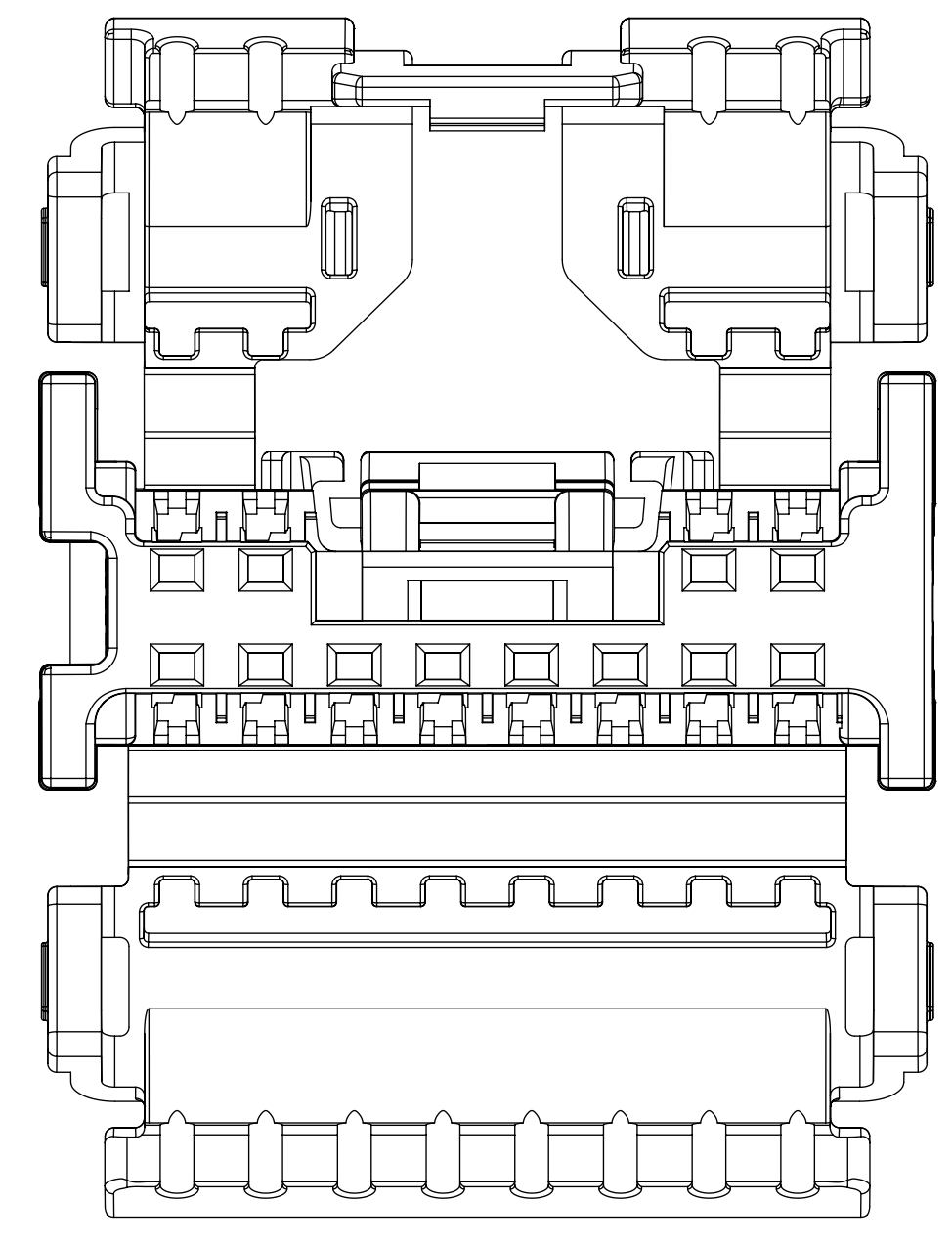
- 1. GENERAL:
  - a. APPLICATION SPECIFICATION SEE: AS-34791-020
  - b. PRODUCT SPECIFICATION SEE: PS-34791-020
  - c. PACKAGING SPECIFICATION PER MOLEX DRAWING: SEE CHART
  - d. PARTS MUST BE IN COMPLIANCE TO MOLEX CHEMICAL SUBSTANCES FOR PRODUCTS AND PACKAGING SPECIFICATION: QEH5-699000-301
  - e. DATA MUST BE SUBMITTED UNDER THE MOLEX PART NUMBER TO IMDS (COMPANY ID#13255)
  - f. FLAMMABILITY REQUIREMENT: PER ISO3795 OR GM3191
    - 1. BURN RATE 100 mm/MIN MAXIMUM
    - 2. MATERIAL MUST BE SELF EXTINGUISHING
  - g. VISUAL DEFECTS SHALL MEET COSMETIC STANDARD PS-45499-002 (Class B)
  - h. FOR TERMINAL USAGE, REFER TO MOLEX SALES DRAWING SD-560023-002
- 2. DESIGN - MATERIALS: SEE P/N TABLE
- 3. DESIGN - GEOMETRY:
  - a. THIS IS A 100% CAD GENERATED PART. THE CAD MATHEMATICAL DATA IS THE MASTER FOR THIS PART. FOR DIMENSIONAL OR ANY INFORMATION NOT SHOWN ON THIS DRAWING, ANALYZE THE CAD MODEL.
  - b. GEOMETRIC DIMENSIONS AND TOLERANCES PER ASME Y14.5M - 2009
  - c. GENERAL TOLERANCES:
    - LINEAR: PER DIN 16901 CODE B FOR PRECISION ENGINEERING (SEE TABLE)
    - ANGULAR: ±3°
  - d. EDGES AND UNDIMENSIONED DETAILS PER ISO13715
  - e. CORNERS SHOWN AS SHARP TO BE R 0.2 MAX
  - f. LETTERING SHALL BE 0.15 MAX RAISED IN 0.15 MAX RECESS PAD AND NOT PROTRUDE THE SURFACE. THIS INCLUDES RECYCLING CODE, PLANT AND CAVITY ID, VENDOR ID, CIRCUIT ID, AND PART SERIES NUMBER.
  - g. DIMENSION APPLIES ONLY TO RECEPTACLES WITH LOCK BRIDGE OPTION.



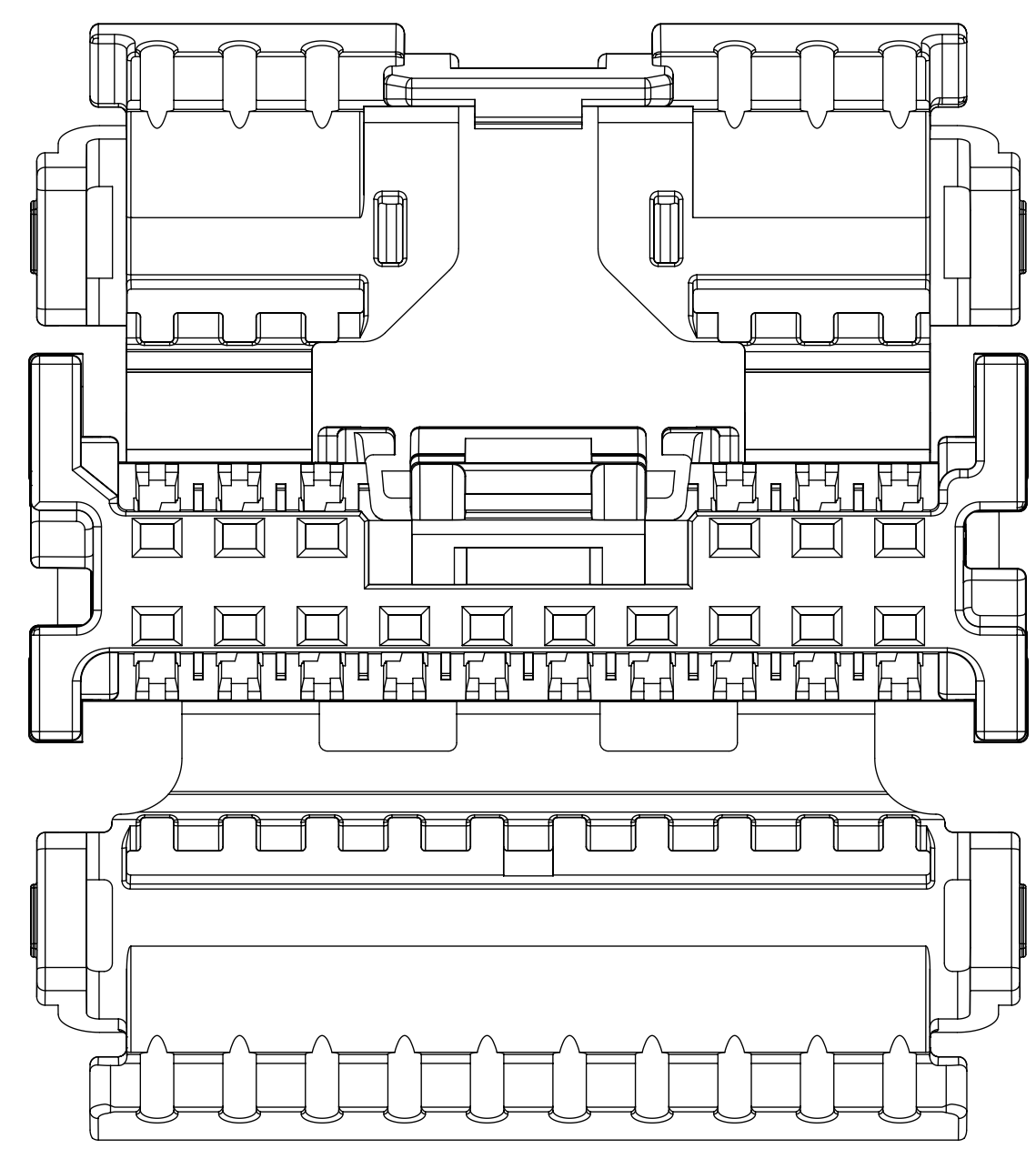
12 CIRCUIT RECEPTACLE WITHOUT LOCK BRIDGE  
POLARIZATION OPTION A  
USCAR COMPATIBLE



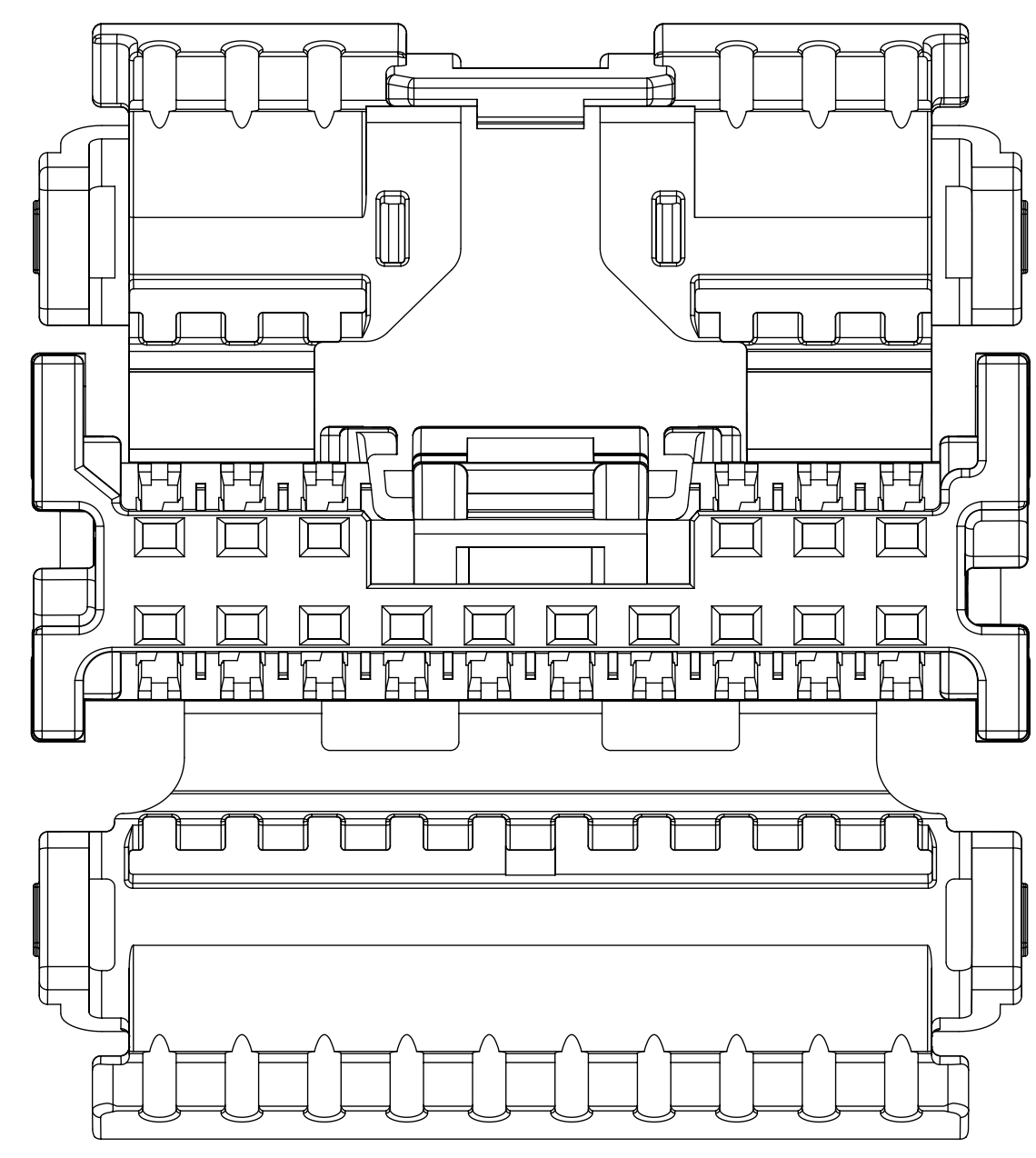
12 CIRCUIT RECEPTACLE WITHOUT LOCK BRIDGE  
POLARIZATION OPTION B  
USCAR COMPATIBLE



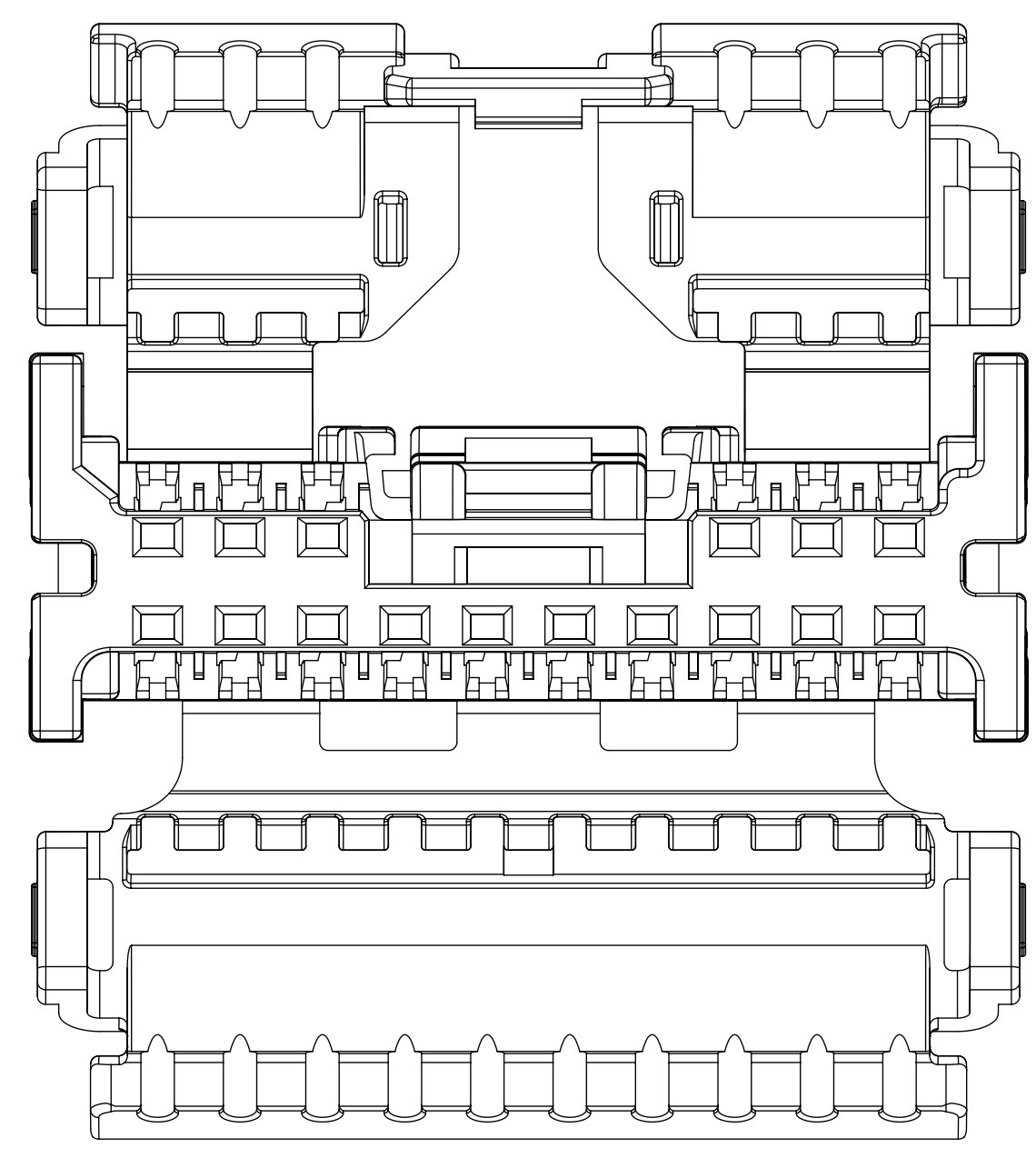
12 CIRCUIT RECEPTACLE WITHOUT LOCK BRIDGE  
POLARIZATION OPTION C  
USCAR COMPATIBLE



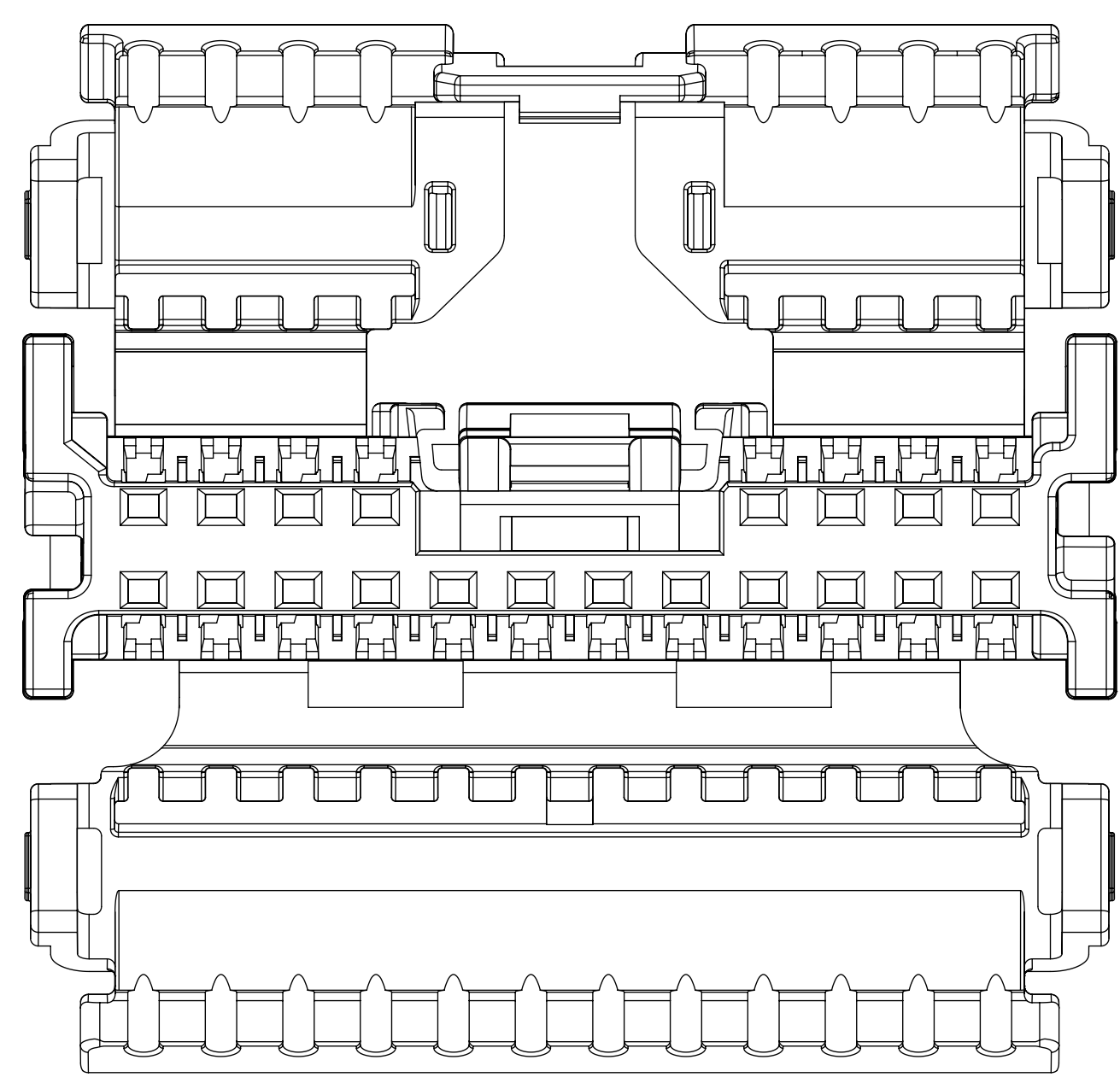
16 CIRCUIT RECEPTACLE WITHOUT LOCK BRIDGE  
POLARIZATION OPTION A



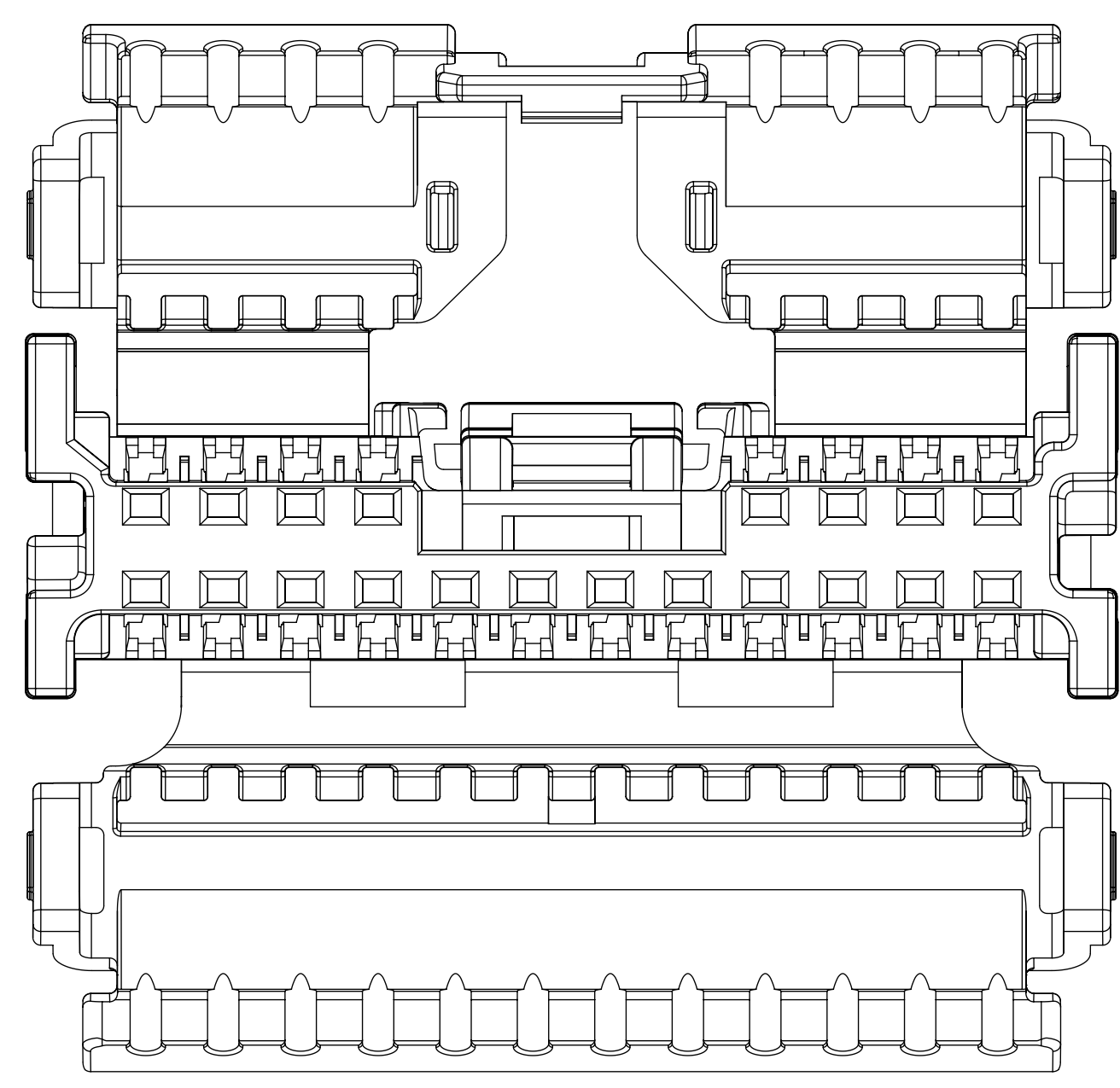
16 CIRCUIT RECEPTACLE WITHOUT LOCK BRIDGE  
POLARIZATION OPTION B



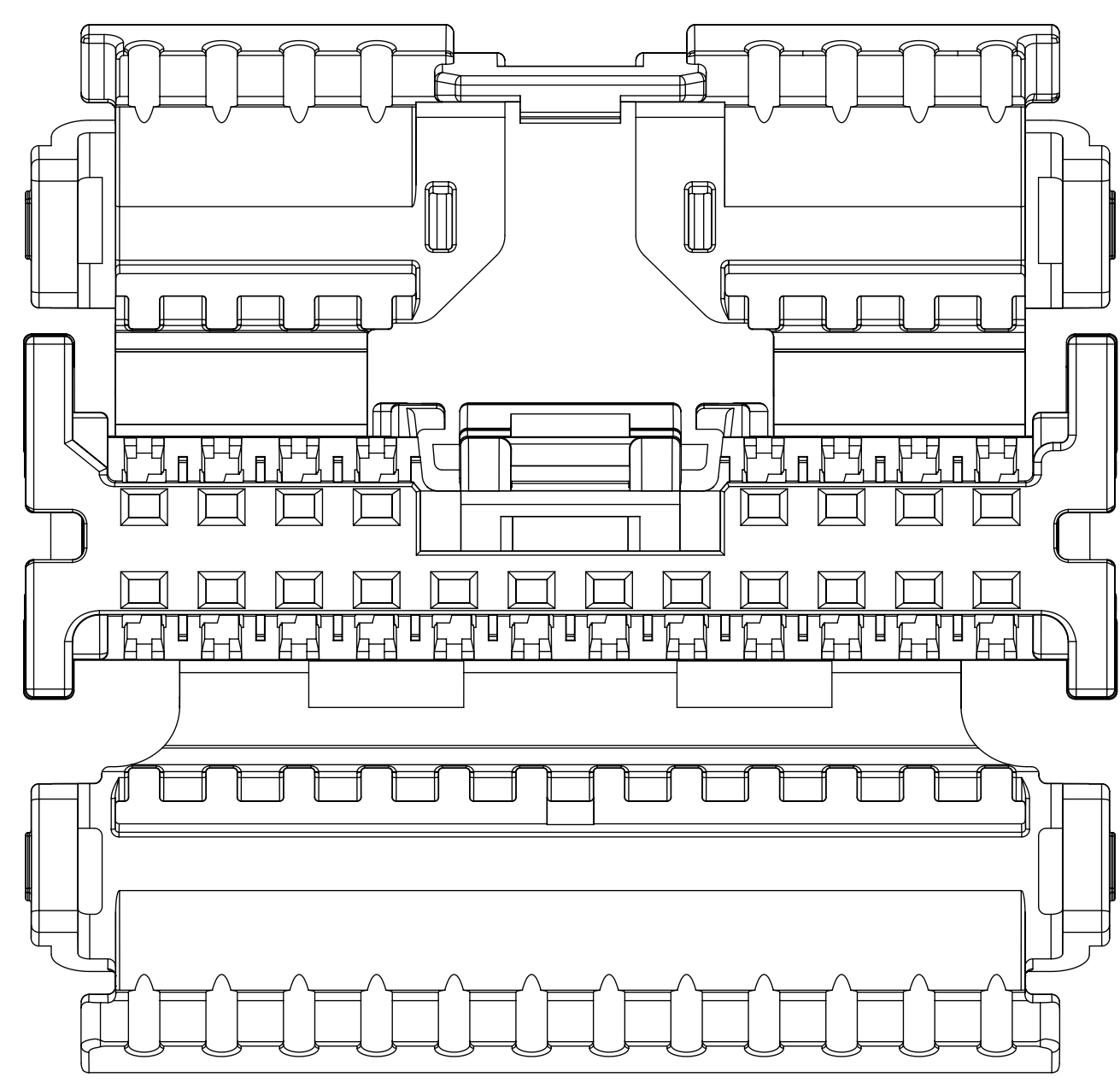
16 CIRCUIT RECEPTACLE WITHOUT LOCK BRIDGE  
POLARIZATION OPTION C



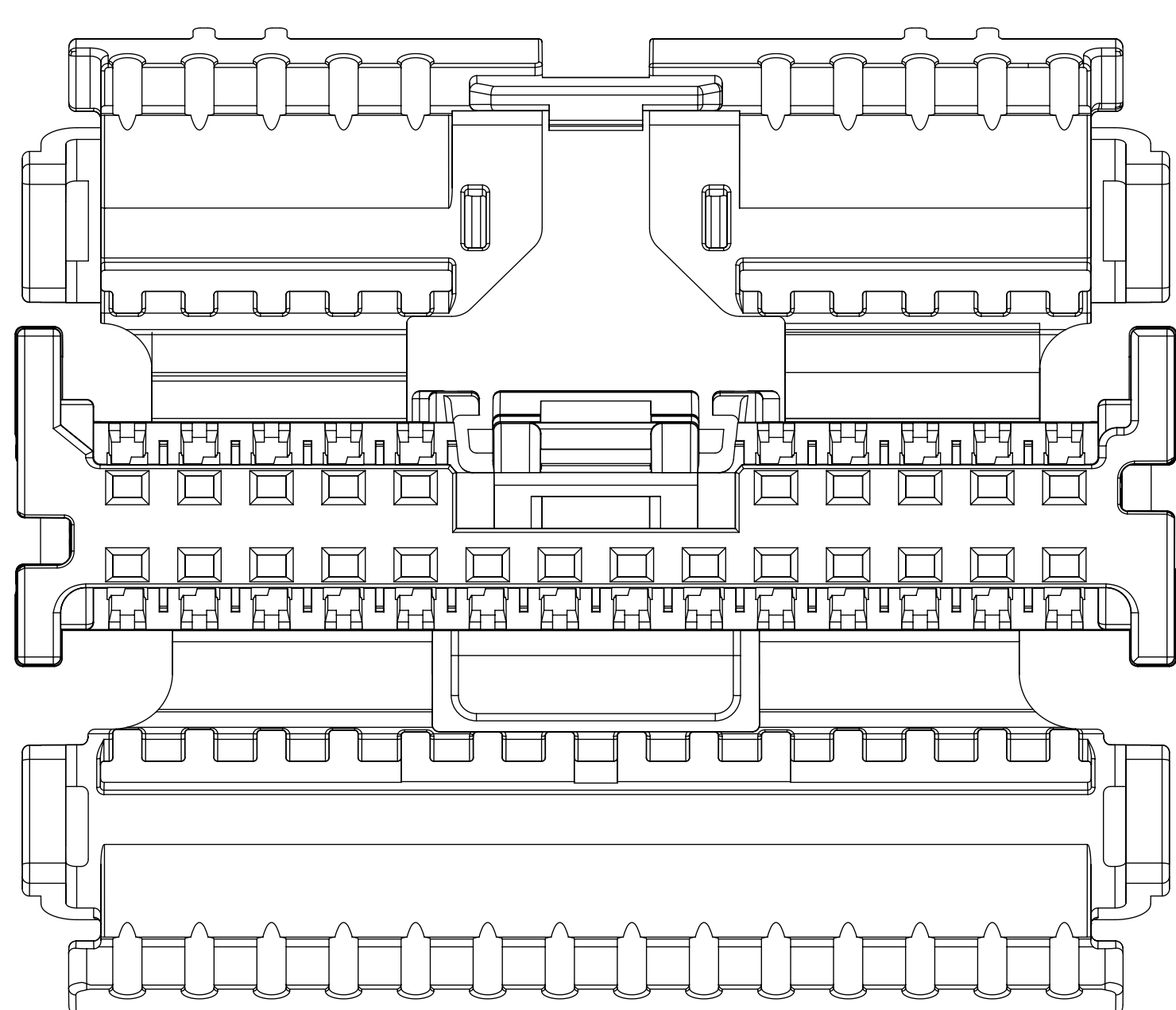
20 CIRCUIT RECEPTACLE WITHOUT LOCK BRIDGE  
POLARIZATION OPTION A



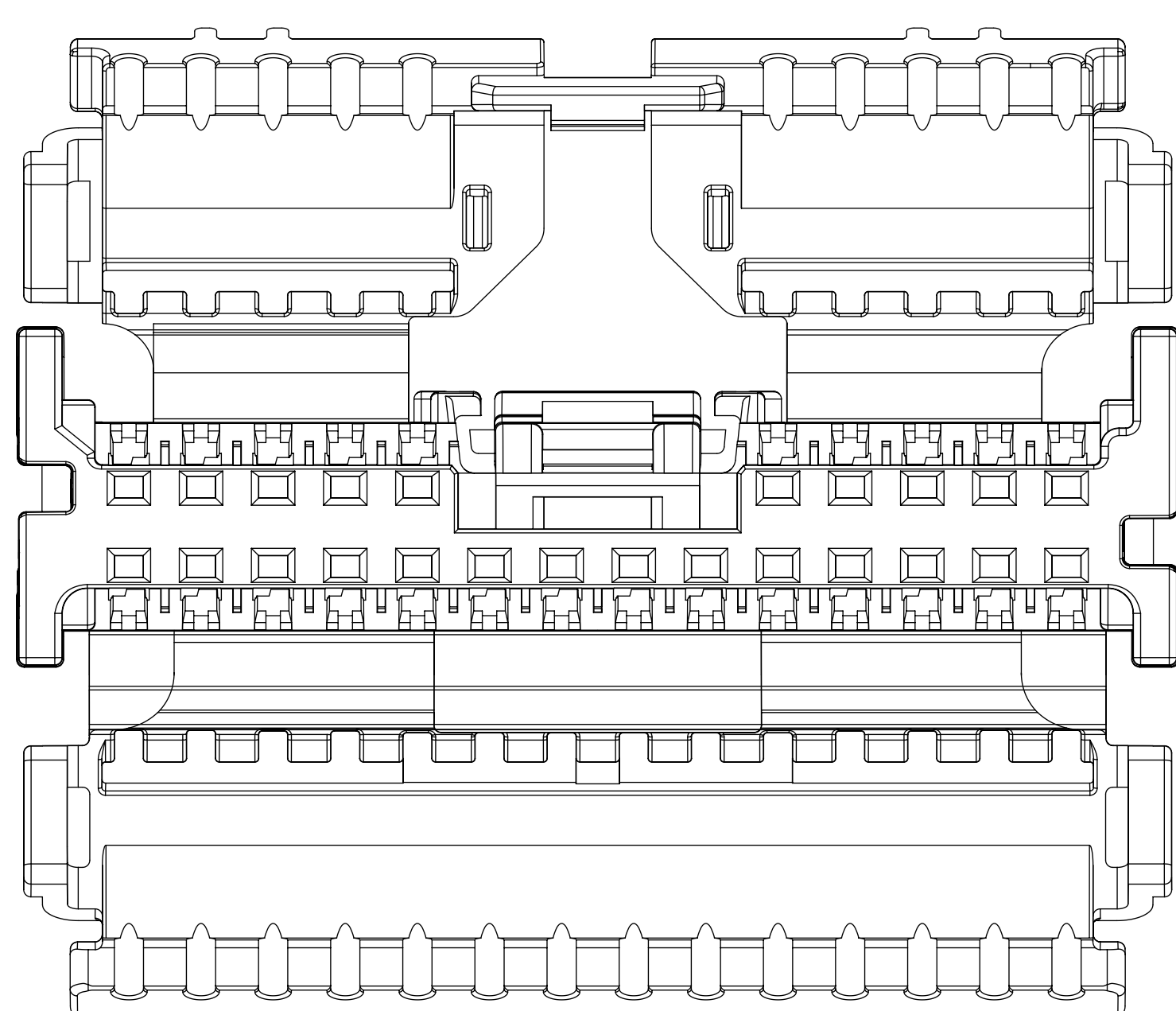
20 CIRCUIT RECEPTACLE WITHOUT LOCK BRIDGE  
POLARIZATION OPTION B



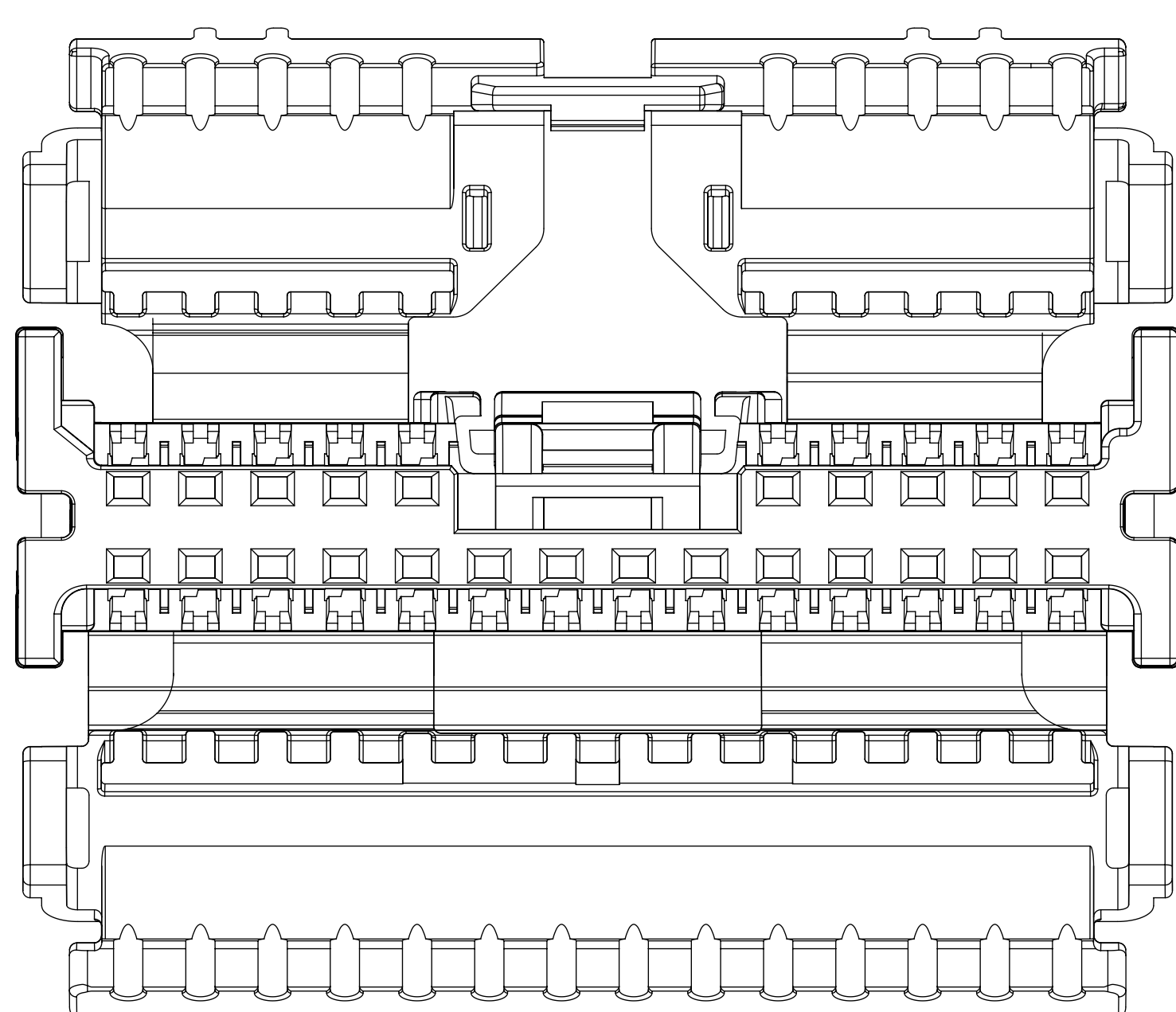
20 CIRCUIT RECEPTACLE WITHOUT LOCK BRIDGE  
POLARIZATION OPTION C



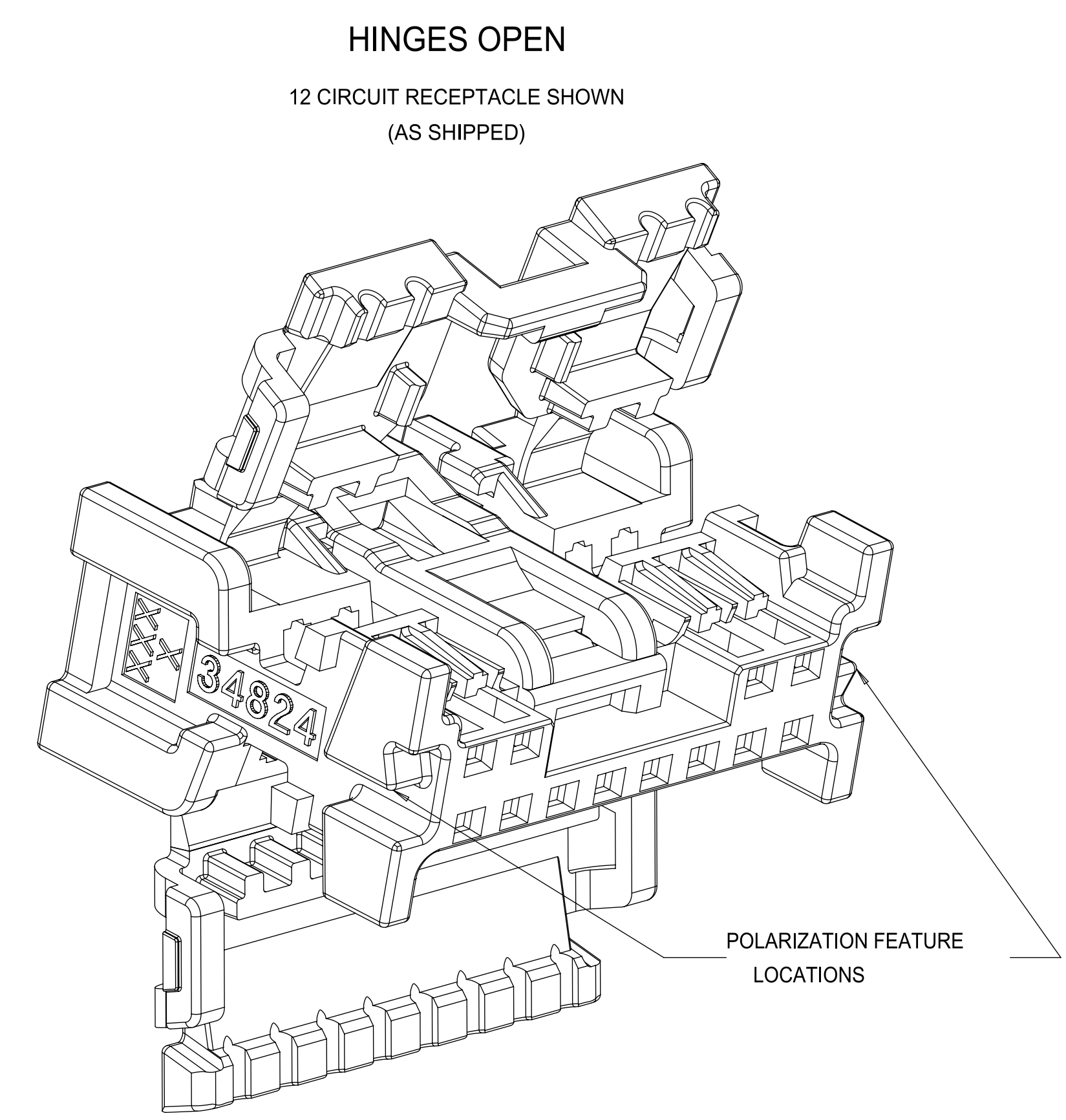
24 CIRCUIT RECEPTACLE WITHOUT LOCK BRIDGE  
POLARIZATION OPTION A



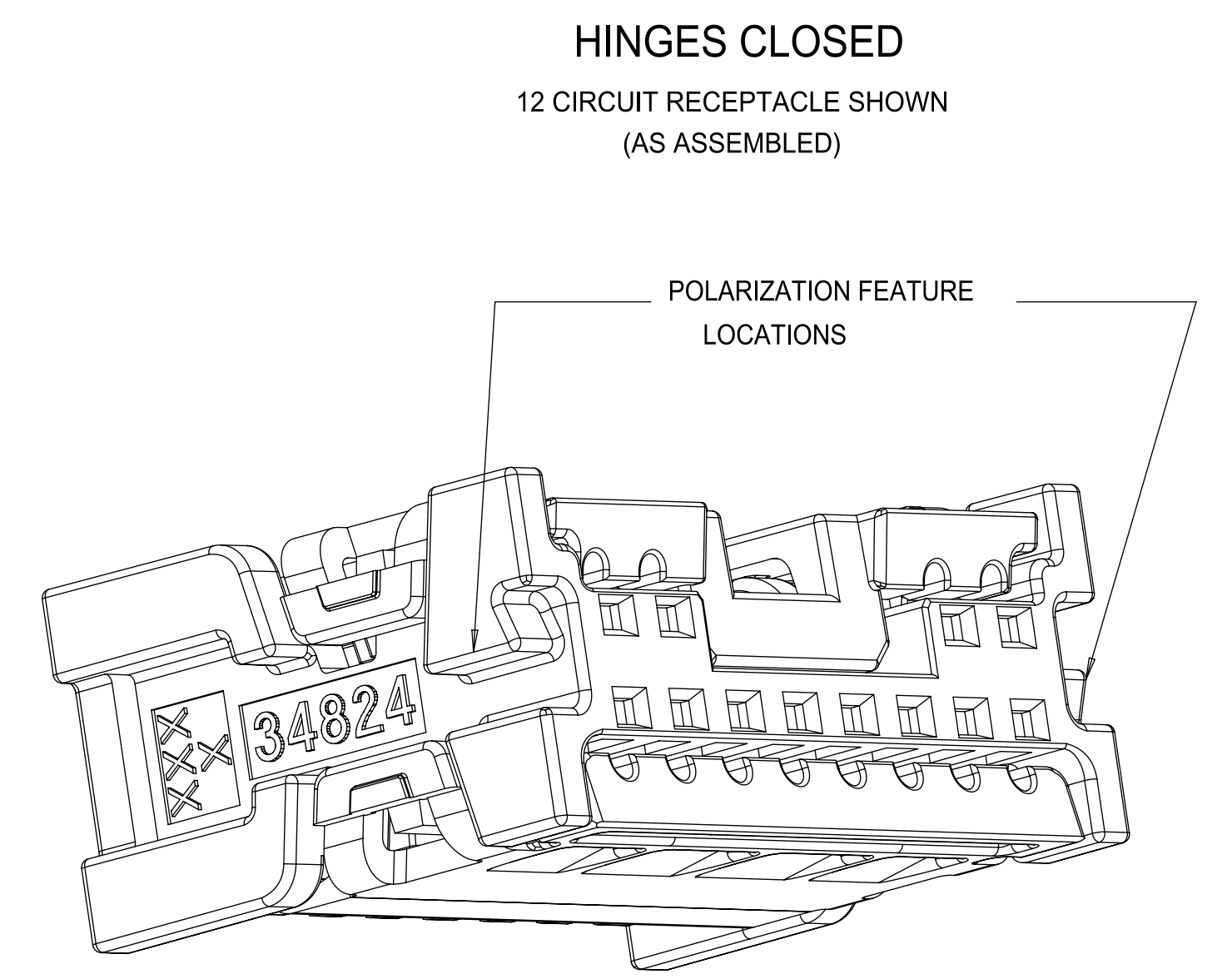
24 CIRCUIT RECEPTACLE WITHOUT LOCK BRIDGE  
POLARIZATION OPTION B



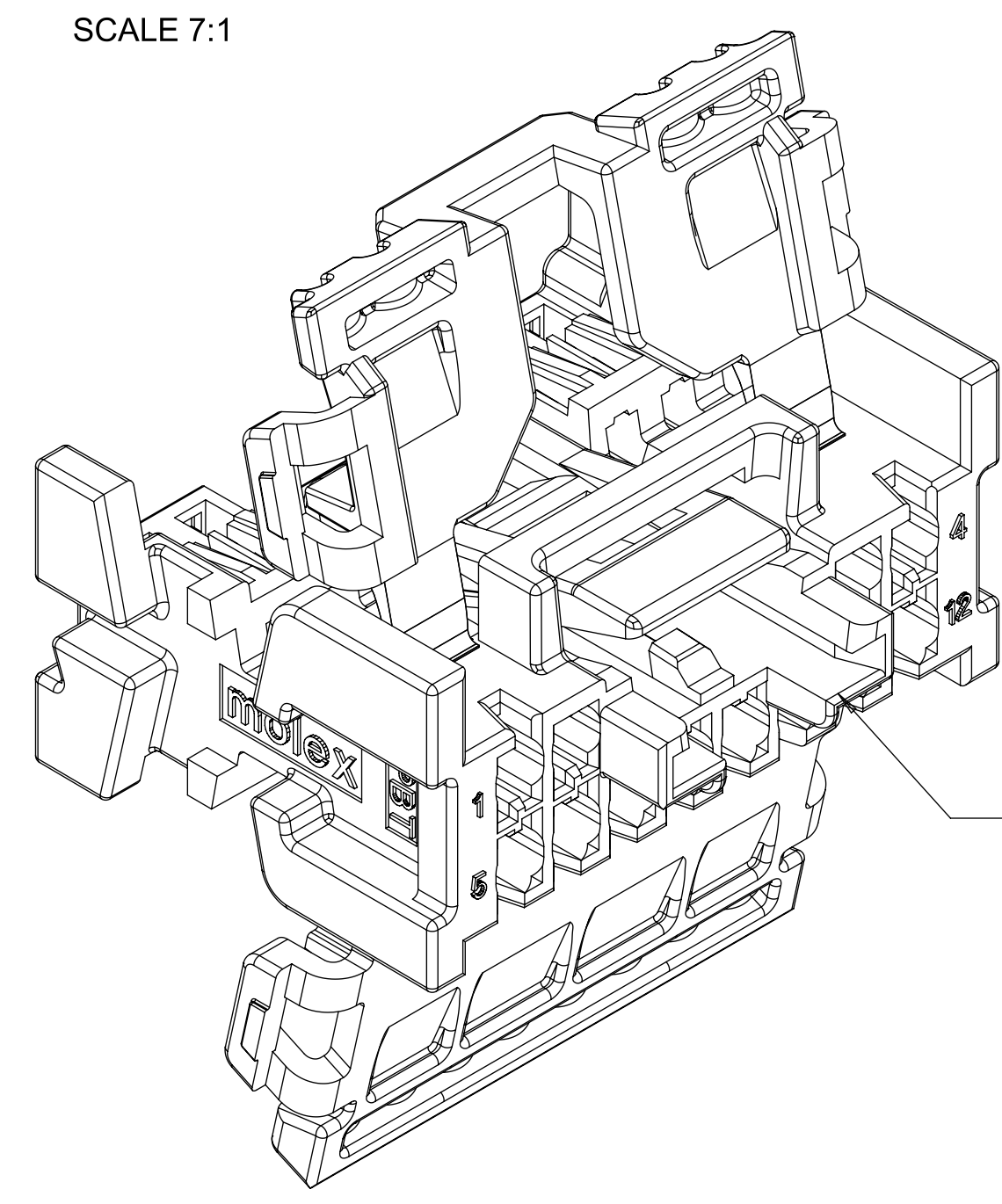
24 CIRCUIT RECEPTACLE WITHOUT LOCK BRIDGE  
POLARIZATION OPTION C



HINGES OPEN  
12 CIRCUIT RECEPTACLE SHOWN  
(AS SHIPPED)



HINGES CLOSED  
12 CIRCUIT RECEPTACLE SHOWN  
(AS ASSEMBLED)



SCALE 7:1

MINI50 WITH BRIDGE OPTION  
COMES WITH CPA TRAY  
\*REFER TO SD-34824-003 FOR  
CPA-RECEPTACLE ASSEMBLIES

SCALE 7:1

QUALITY SYMBOLS	
	= 0
	= 0
	= 0
	= 0
	= 0
	= 0
	= 0
	= 0
	= 0
	= 0
	= 0
	= 0

THIS DRAWING CONTAINS INFORMATION THAT IS PROPRIETARY TO MOLEX ELECTRONIC TECHNOLOGIES, LLC AND SHOULD NOT BE USED WITHOUT WRITTEN PERMISSION
EC NO: 603994
DRWN: KHEWITT
CHKD: JDUNAJ
REV APPR: JDUNAJ
L4

GENERAL TOLERANCES (UNLESS SPECIFIED)	
ANGULAR TOL ±	°
4 PLACES ±	
3 PLACES ±	
2 PLACES ±	0.1
1 PLACE ±	0.2
0 PLACES ±	
DRAFT WHERE APPLICABLE MUST REMAIN WITHIN DIMENSIONS	

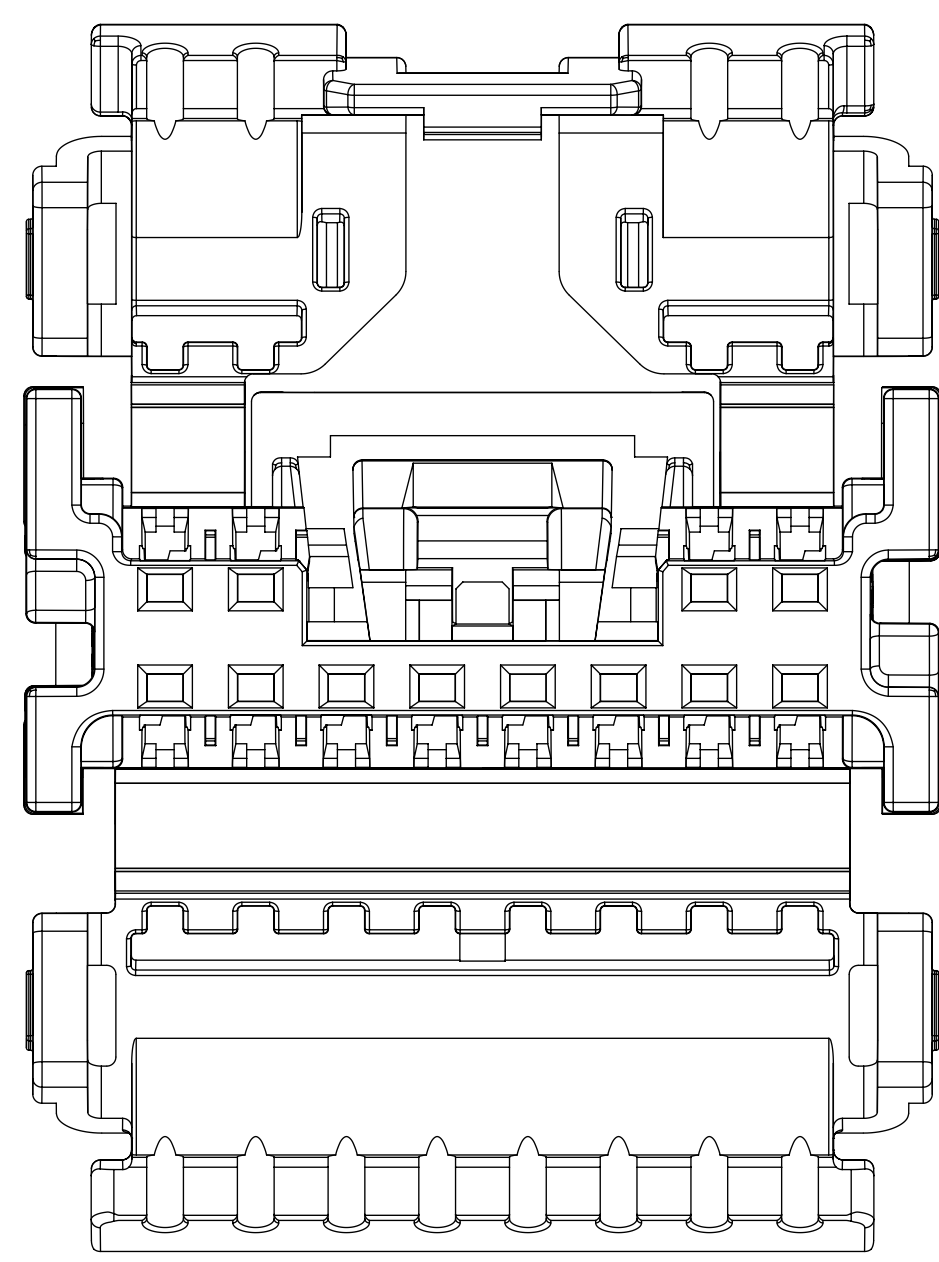
DIMENSION UNITS	
MM ONLY	SCALE
DRWN BY	DATE
TCUCU	2011/03/10
CHK'D BY	DATE
TMACHUGA	2011/03/11
APPR BY	DATE
SMARCEAU	2012/05/21
DRAWING SIZE	THIRD ANGLE PROJECTION
E	

INSPECTION BALLOON NUMBER
PER DRAWING REVISION: L
LAST BALLOON USED: 17
ADDED BALLOON NUMBERS:
REMOVED BALLOON NUMBERS:

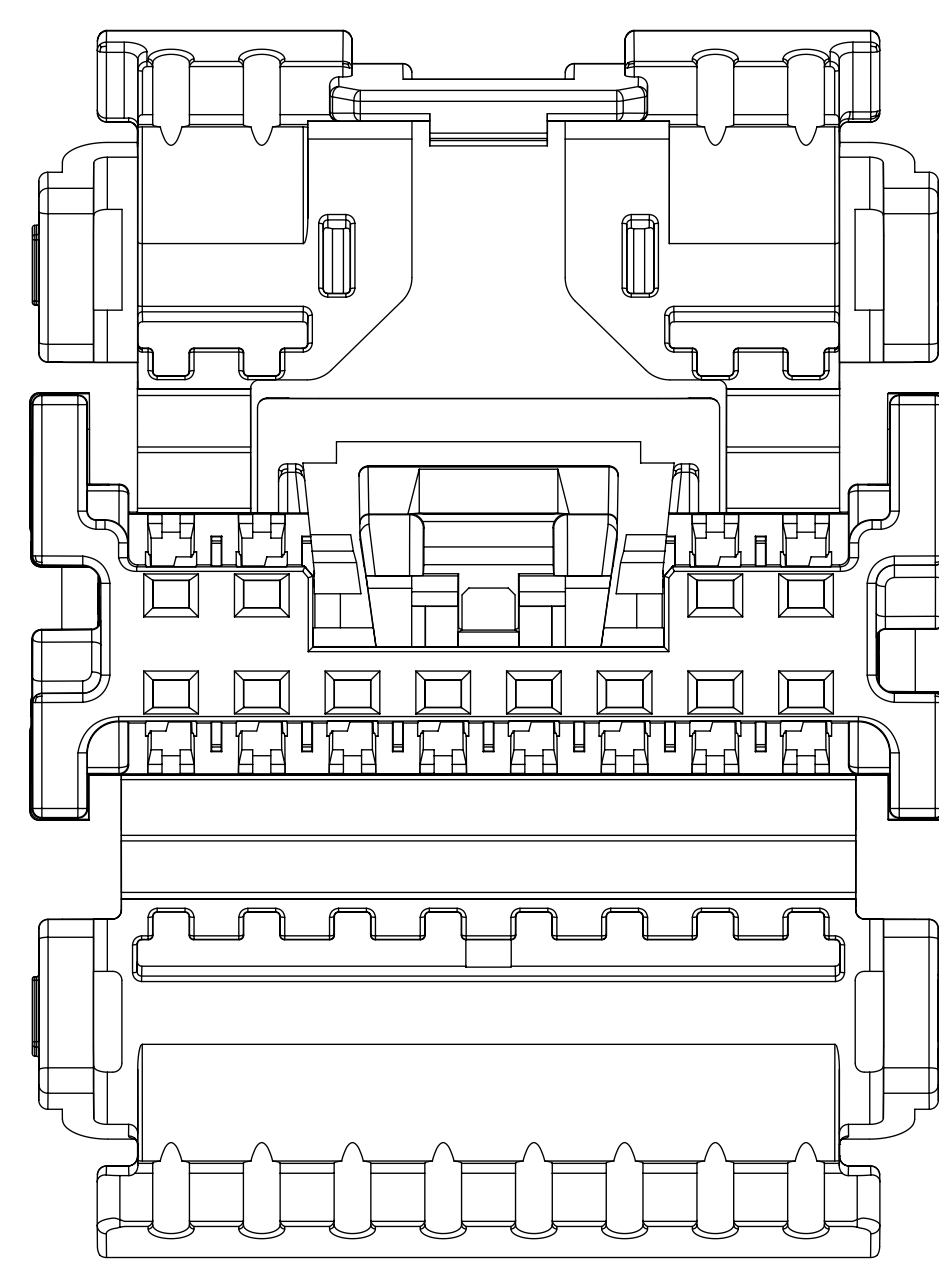
UPDATED P/N TABLE TO SHOW MATERIAL		
L4	UPDATED 24 CKT	
L	DESCRIPTION	
REV		
PRODUCT CUSTOMER DRAWING		
SERIES	MATERIAL NUMBER	CUSTOMER
34824	SEE TABLE	GENERAL MARKET
DOCUMENT NUMBER	DOC TYPE	DOC PART SHEET NUMBER
SD-34824-002	PSD	001 1 OF 4

# molex®

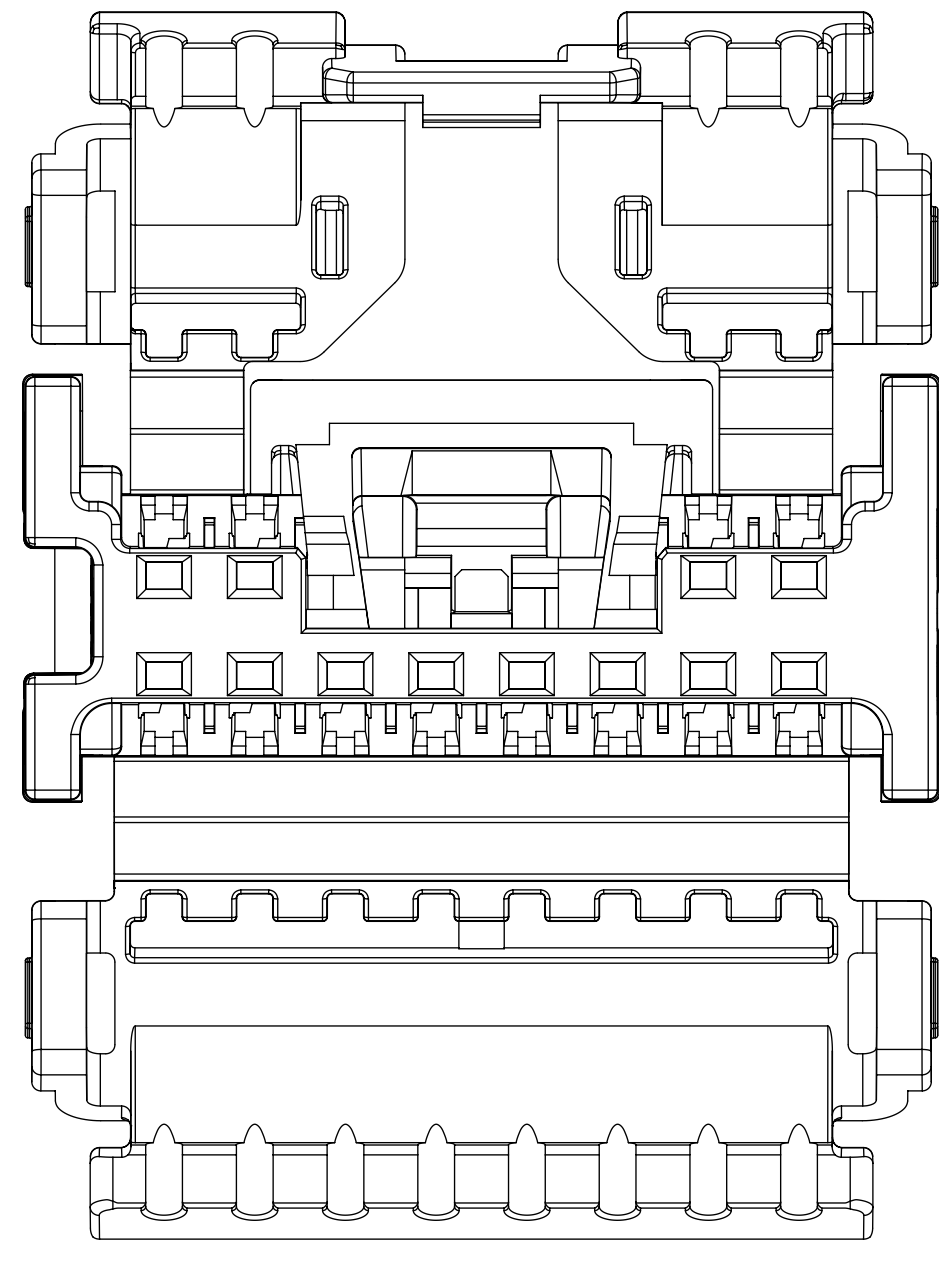
## MINI50 DUAL ROW RECEPTACLE SALES DRAWING



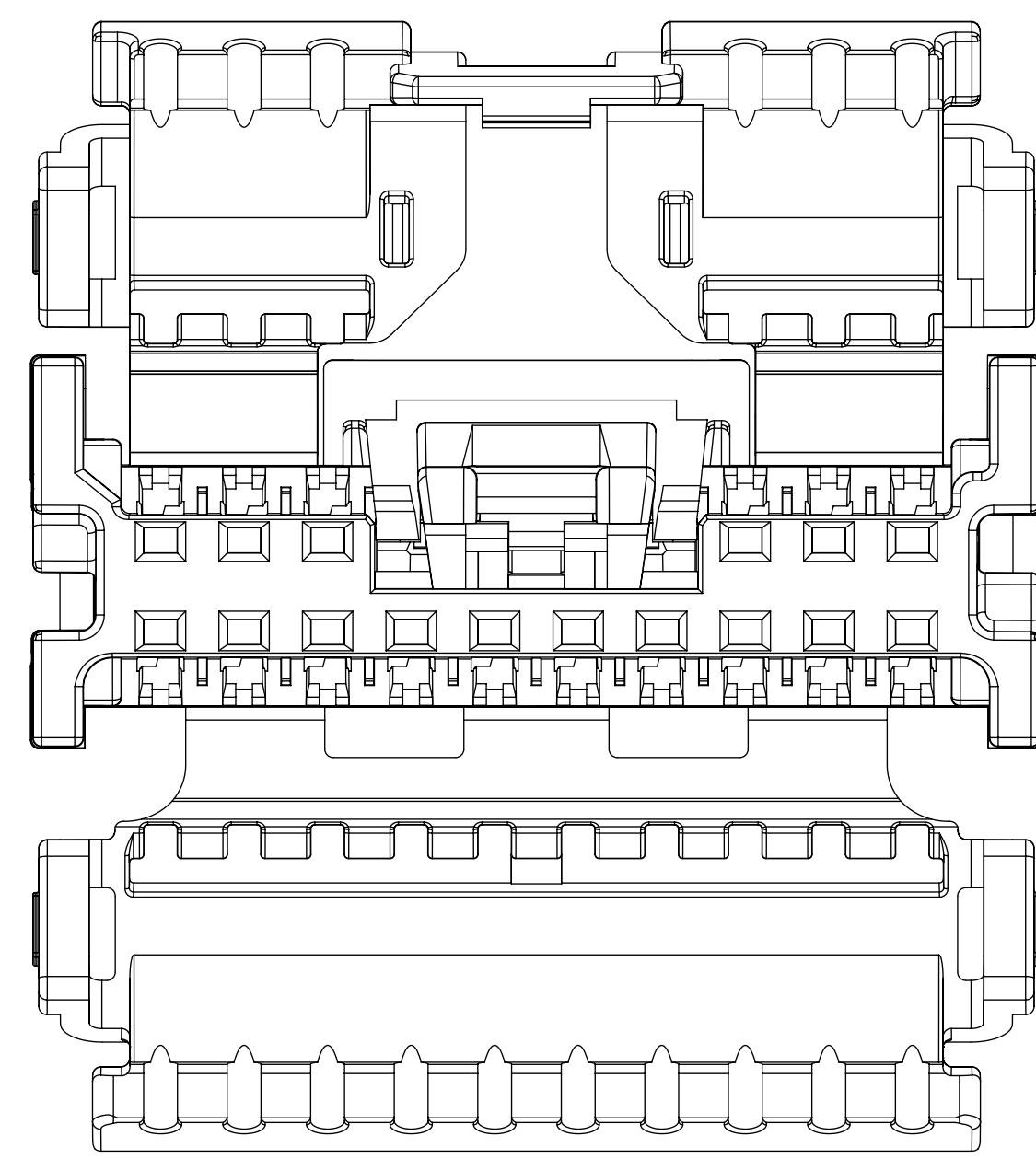
12 CIRCUIT RECEPTACLE WITH LOCK BRIDGE  
POLARIZATION OPTION A  
USCAR COMPATIBLE



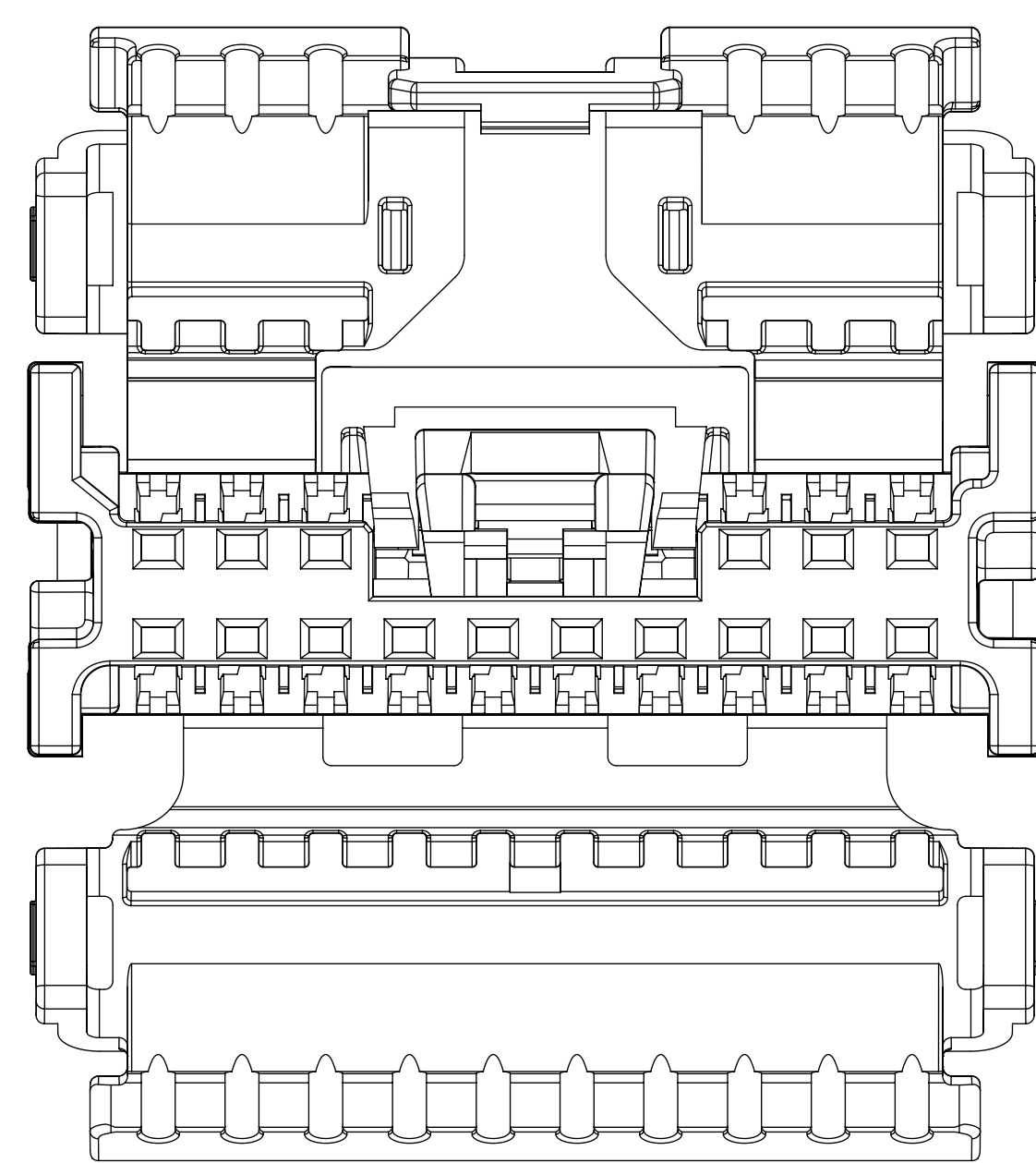
12 CIRCUIT RECEPTACLE WITH LOCK BRIDGE  
POLARIZATION OPTION B  
USCAR COMPATIBLE



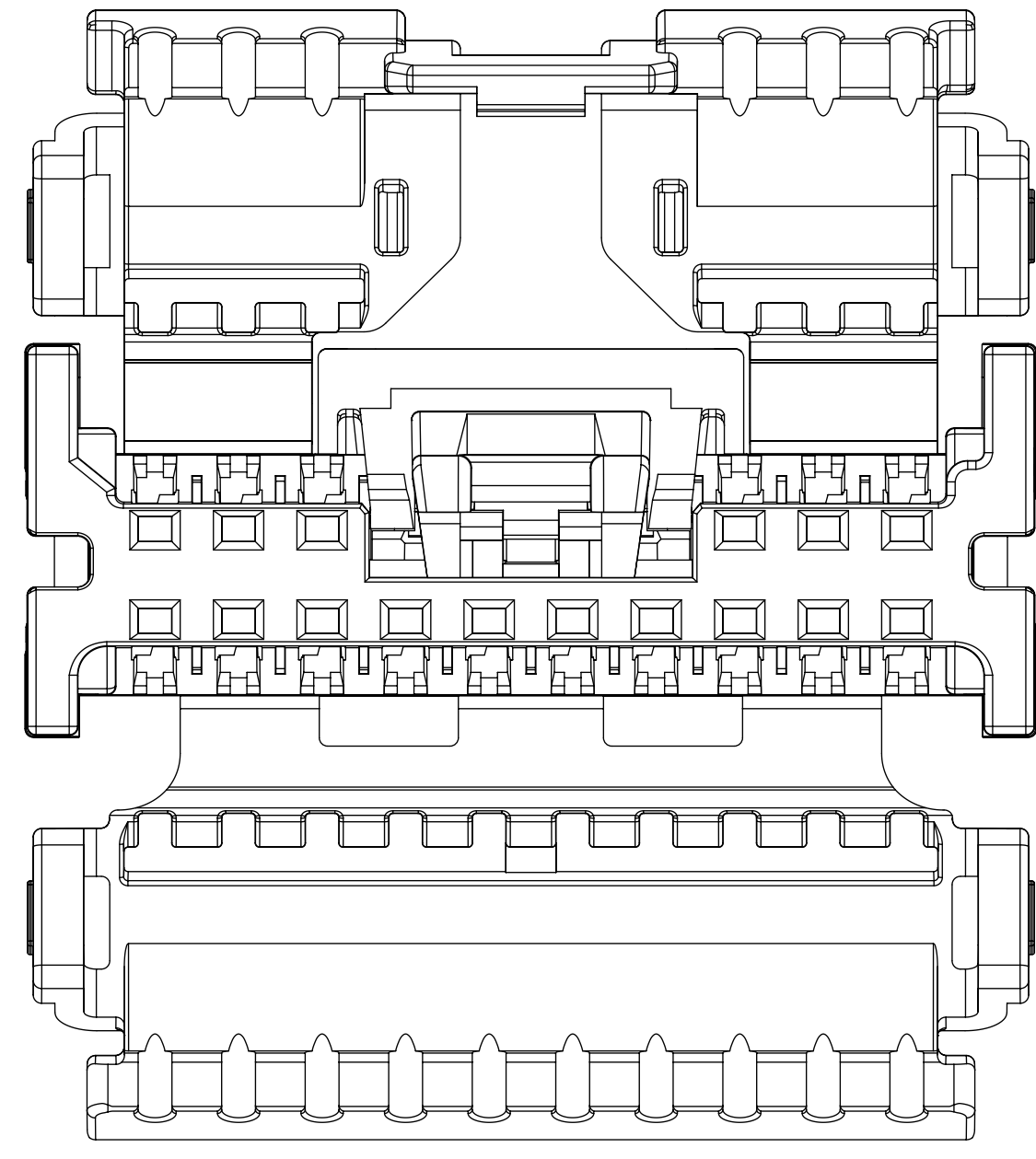
12 CIRCUIT RECEPTACLE WITH LOCK BRIDGE  
POLARIZATION OPTION C  
USCAR COMPATIBLE



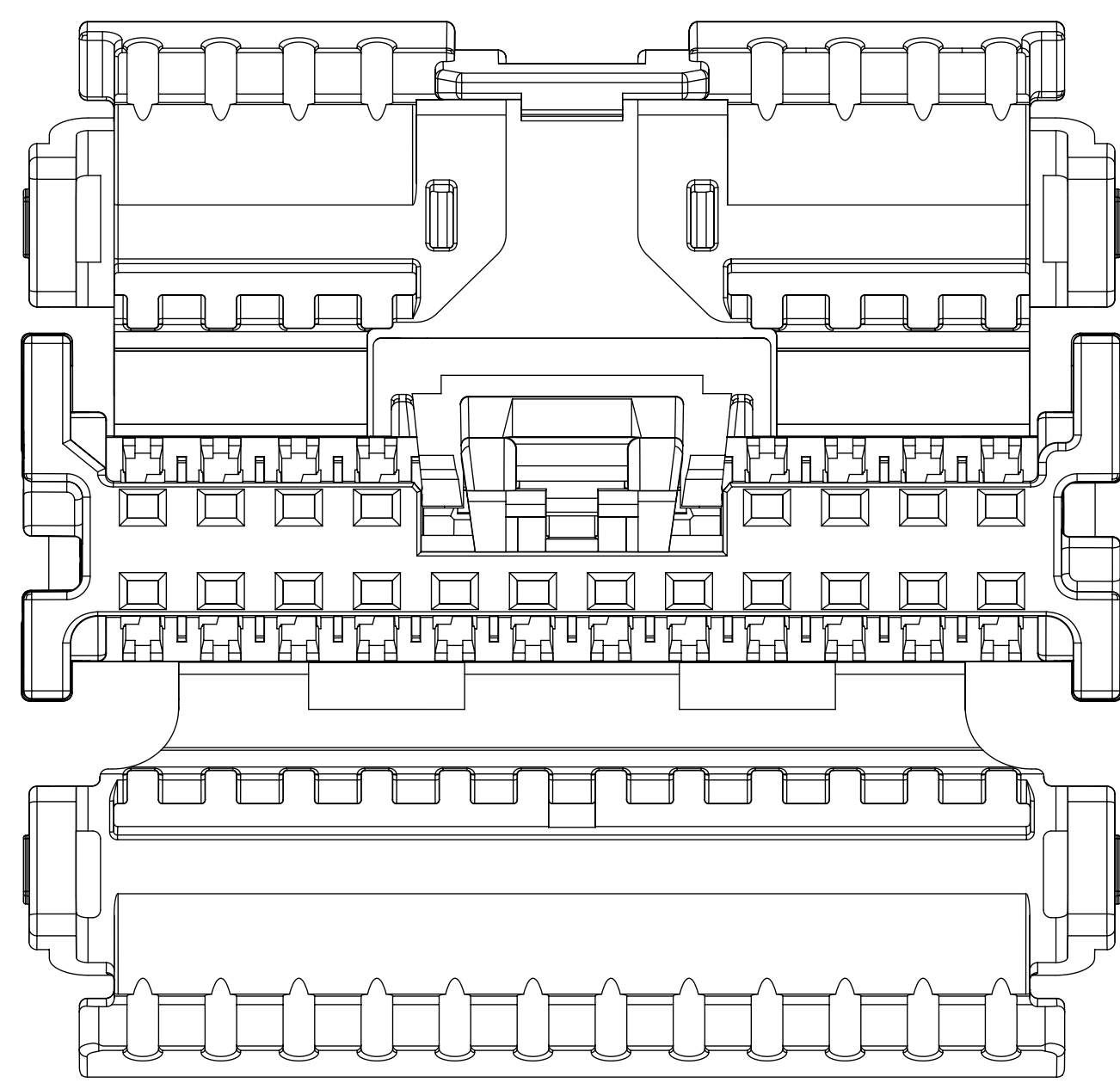
16 CIRCUIT RECEPTACLE WITH LOCK BRIDGE  
POLARIZATION OPTION A



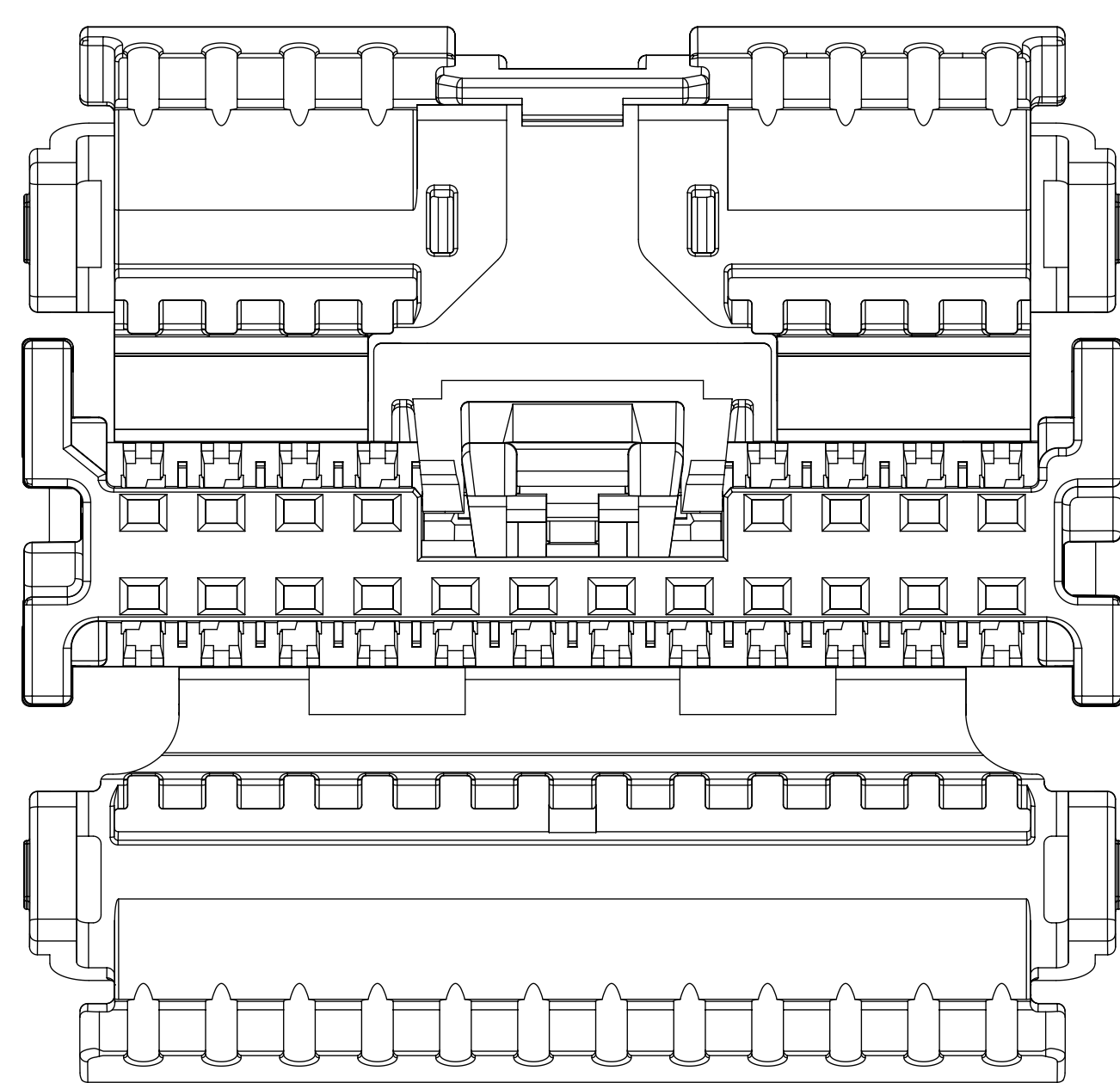
16 CIRCUIT RECEPTACLE WITH LOCK BRIDGE  
POLARIZATION OPTION B



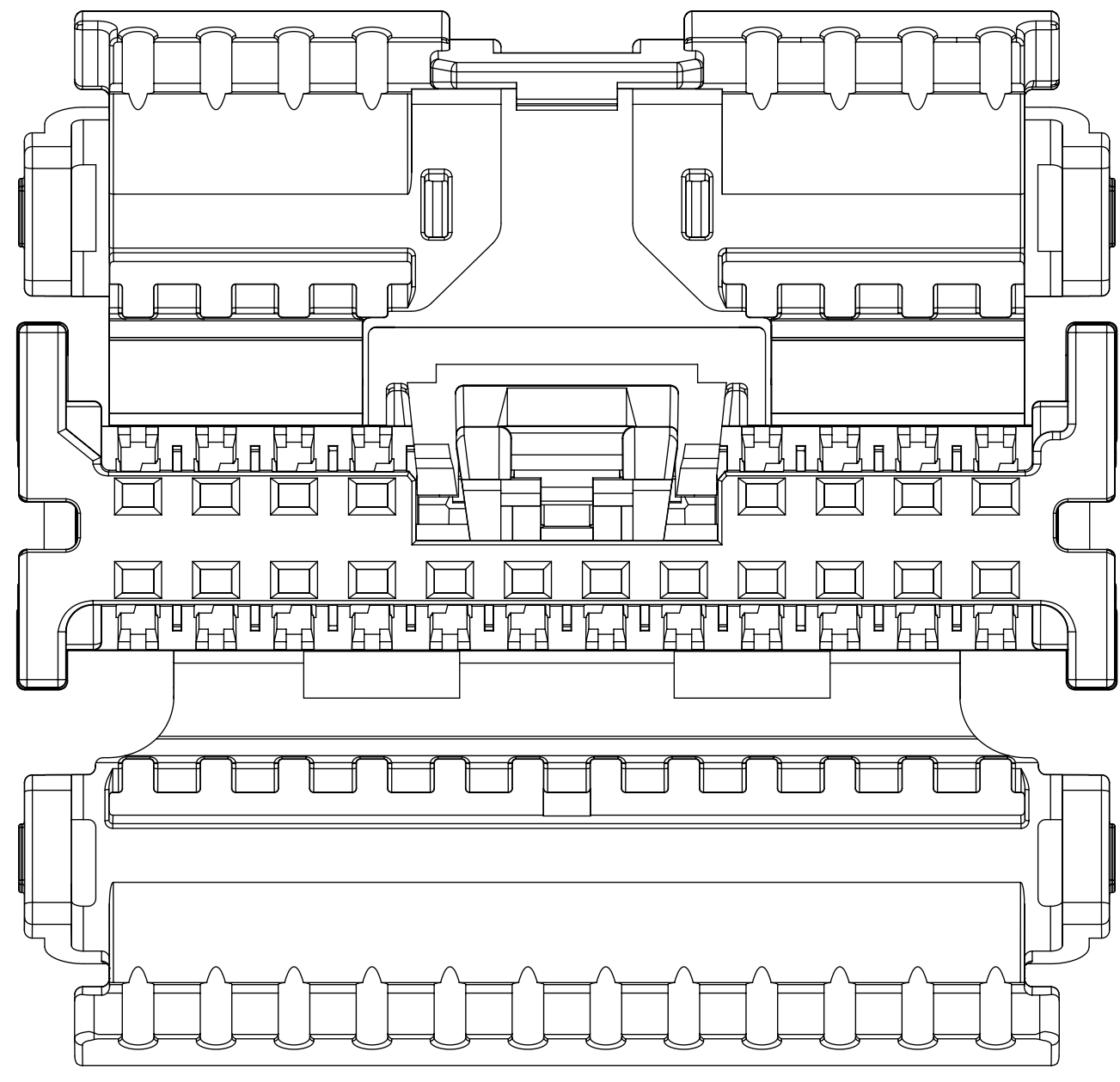
16 CIRCUIT RECEPTACLE WITH LOCK BRIDGE  
POLARIZATION OPTION C



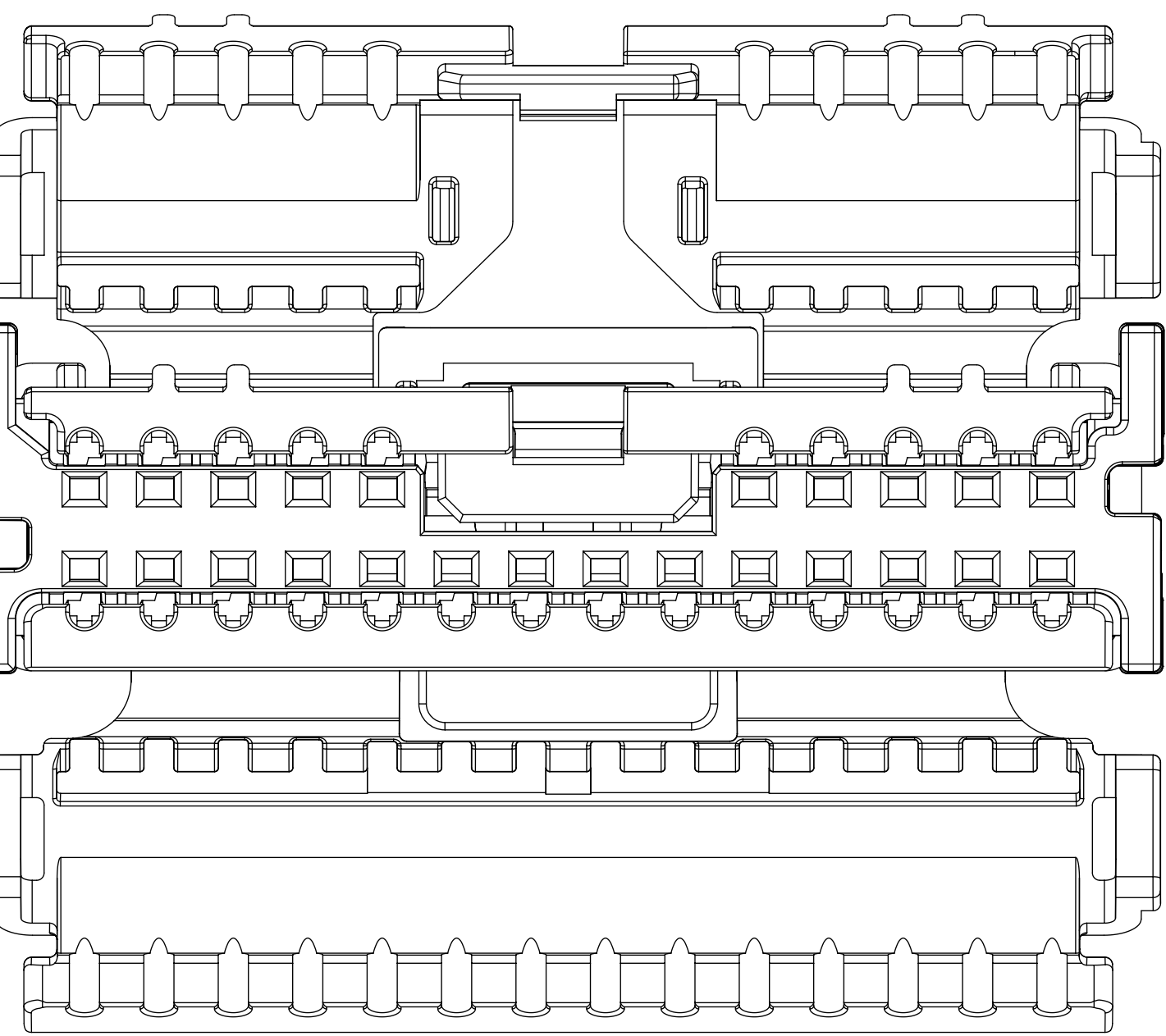
20 CIRCUIT RECEPTACLE WITH LOCK BRIDGE  
POLARIZATION OPTION A



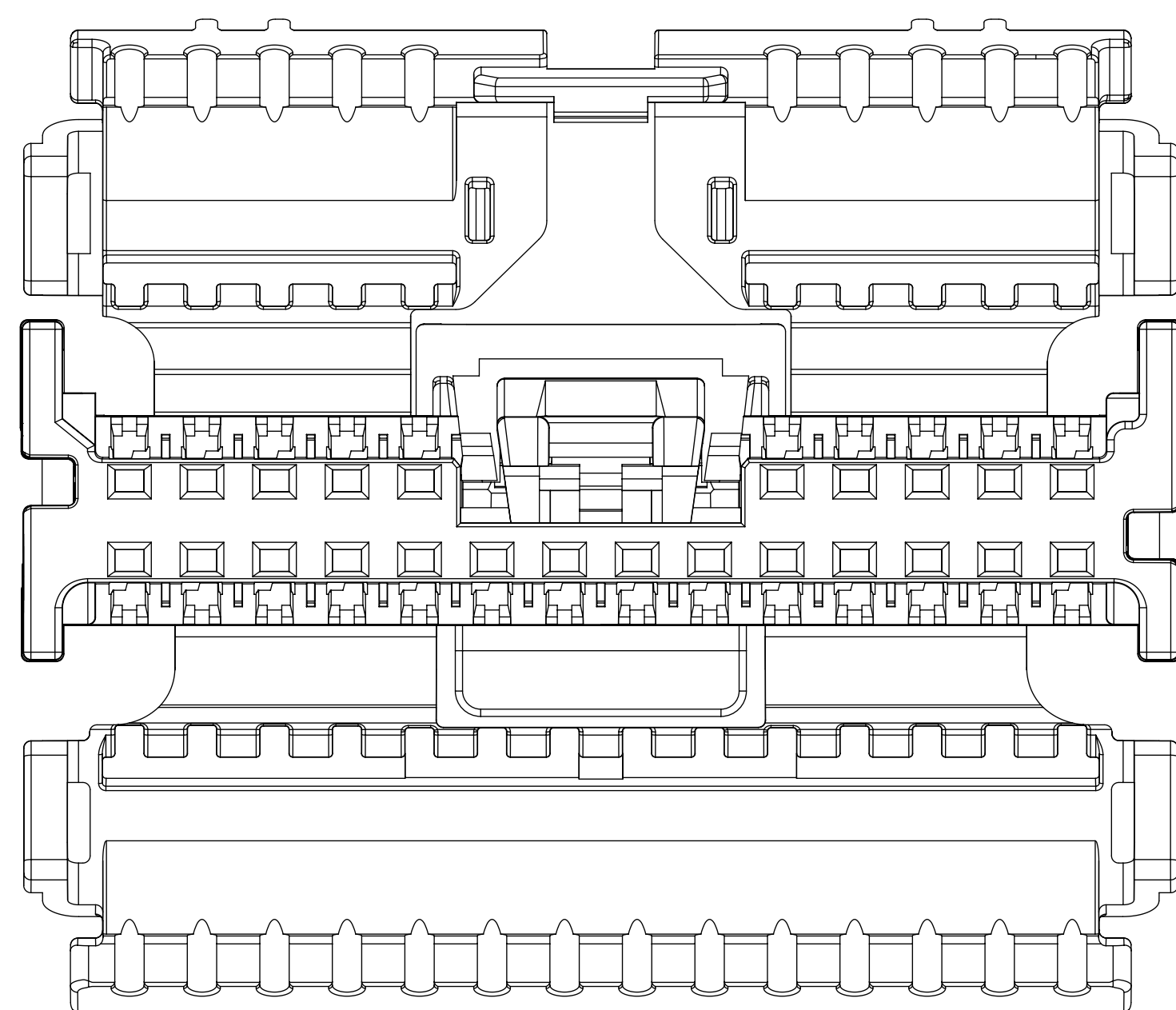
20 CIRCUIT RECEPTACLE WITH LOCK BRIDGE  
POLARIZATION OPTION B



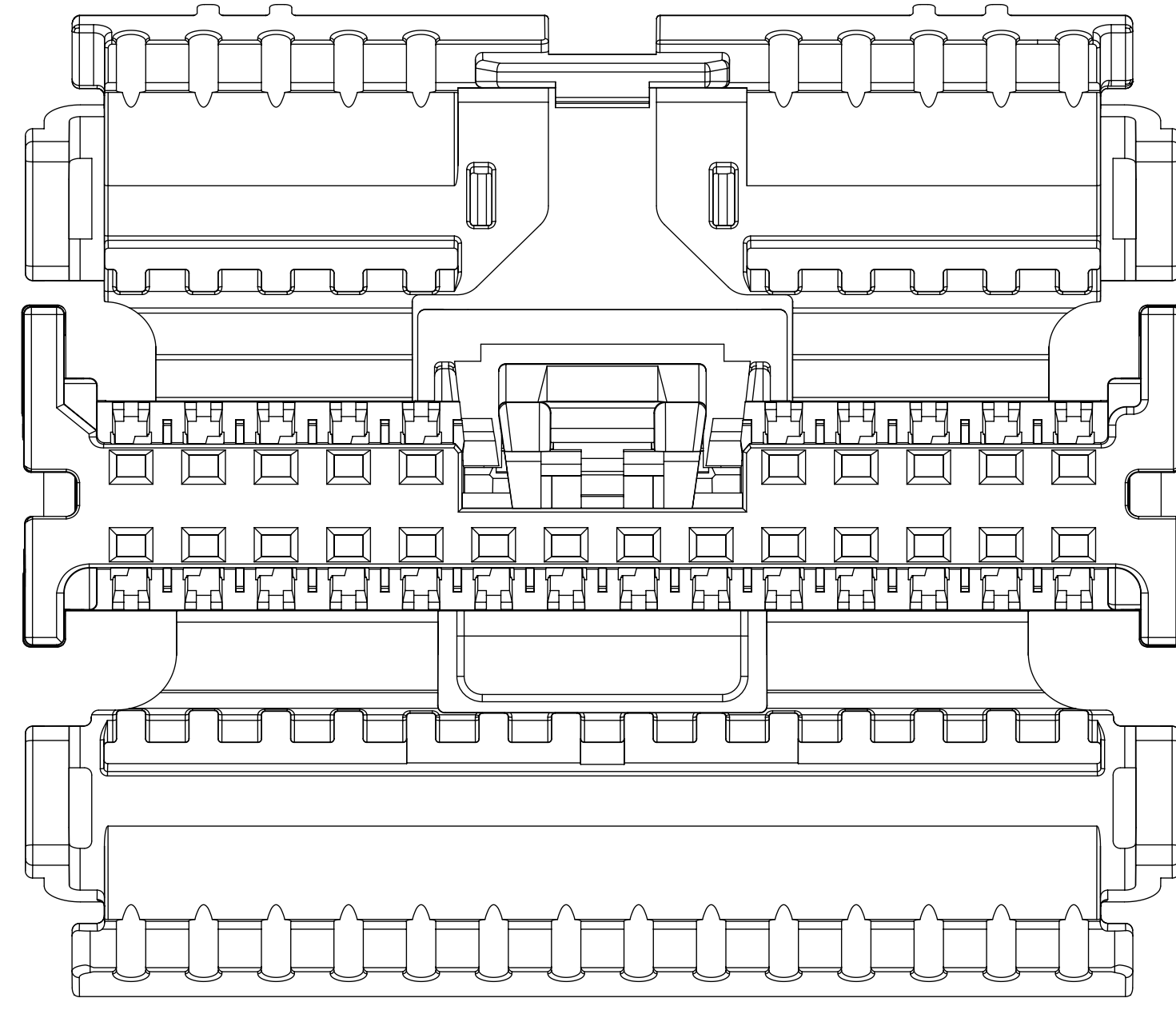
20 CIRCUIT RECEPTACLE WITH LOCK BRIDGE  
POLARIZATION OPTION C



24 CIRCUIT RECEPTACLE WITH LOCK BRIDGE  
POLARIZATION OPTION A



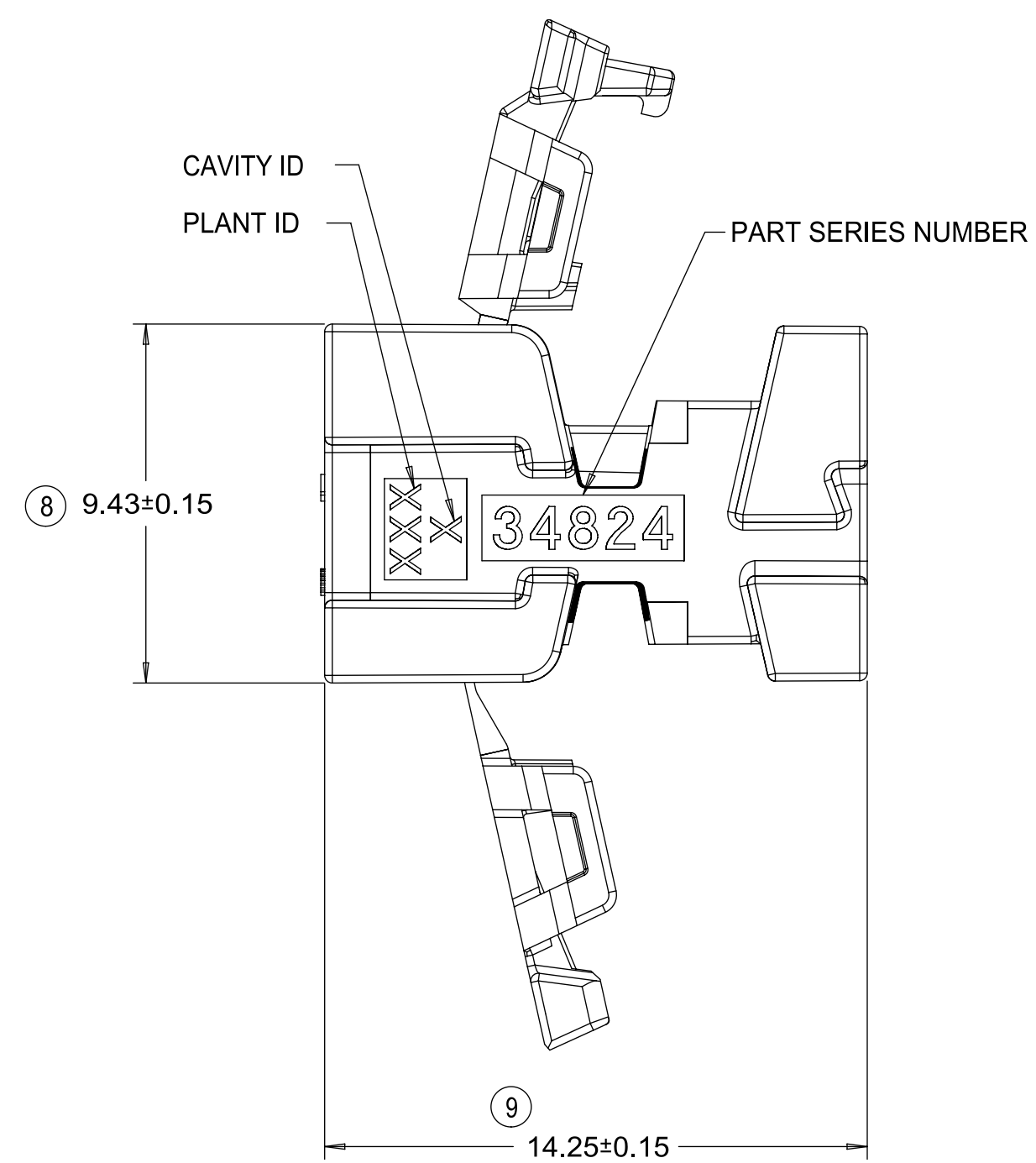
24 CIRCUIT RECEPTACLE WITH LOCK BRIDGE  
POLARIZATION OPTION B



24 CIRCUIT RECEPTACLE WITH LOCK BRIDGE  
POLARIZATION OPTION C

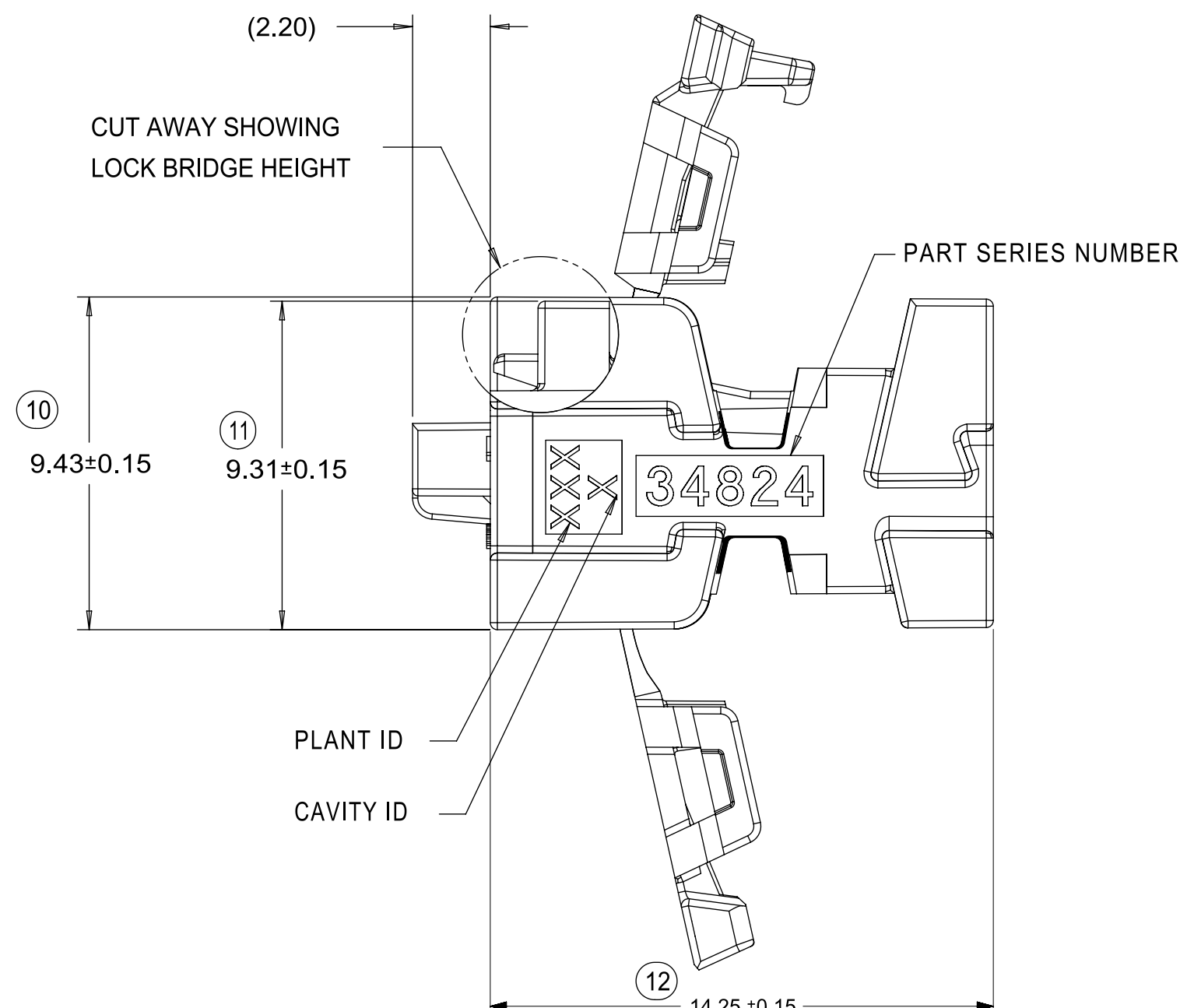
THIS DRAWING CONTAINS INFORMATION THAT IS PROPRIETARY TO MOLEX ELECTRONIC TECHNOLOGIES, LLC AND SHOULD NOT BE USED WITHOUT WRITTEN PERMISSION																							
<b>QUALITY SYMBOLS</b> 	EC NO:	2018/08/02	GENERAL TOLERANCES (UNLESS SPECIFIED)	DIMENSION UNITS	SCALE																		
	DRWN:	KHEWITT	ANGULAR TOL ± °	MM ONLY	6:1																		
	CHKD:	JDUNAJ	4 PLACES ±	DRWN BY	DATE	<b>MINI50 DUAL ROW RECEPTACLE SALES DRAWING</b>																	
	REV:	APPR: JDUNAJ	3 PLACES ±	TCUCU	2018/09/05					2011/03/10													
			2 PLACES ± 0.1	CHK'D BY	DATE	<b>PRODUCT CUSTOMER DRAWING</b>																	
			1 PLACE ± 0.2	TMACHUGA	2011/03/11																		
			0 PLACES ±	APPR BY	DATE	<table border="1"> <tr> <td>SERIES</td> <td>MATERIAL NUMBER</td> <td>CUSTOMER</td> </tr> <tr> <td>34824</td> <td>SEE TABLE</td> <td>GENERAL MARKET</td> </tr> <tr> <td>DOCUMENT NUMBER</td> <td>DOC TYPE</td> <td>DOC PART</td> <td>SHEET NUMBER</td> </tr> <tr> <td>SD-34824-002</td> <td>PSD</td> <td>001</td> <td>2 OF 4</td> </tr> </table>				SERIES	MATERIAL NUMBER	CUSTOMER	34824	SEE TABLE	GENERAL MARKET	DOCUMENT NUMBER	DOC TYPE	DOC PART	SHEET NUMBER	SD-34824-002	PSD	001	2 OF 4
	SERIES	MATERIAL NUMBER	CUSTOMER																				
	34824	SEE TABLE	GENERAL MARKET																				
	DOCUMENT NUMBER	DOC TYPE	DOC PART	SHEET NUMBER																			
SD-34824-002	PSD	001	2 OF 4																				
		DRAFT WHERE APPLICABLE MUST REMAIN WITHIN DIMENSIONS	DRAWING SIZE	THIRD ANGLE PROJECTION																			
			E																				

(NON-BRIDGED OPTION SHOWN BELOW)

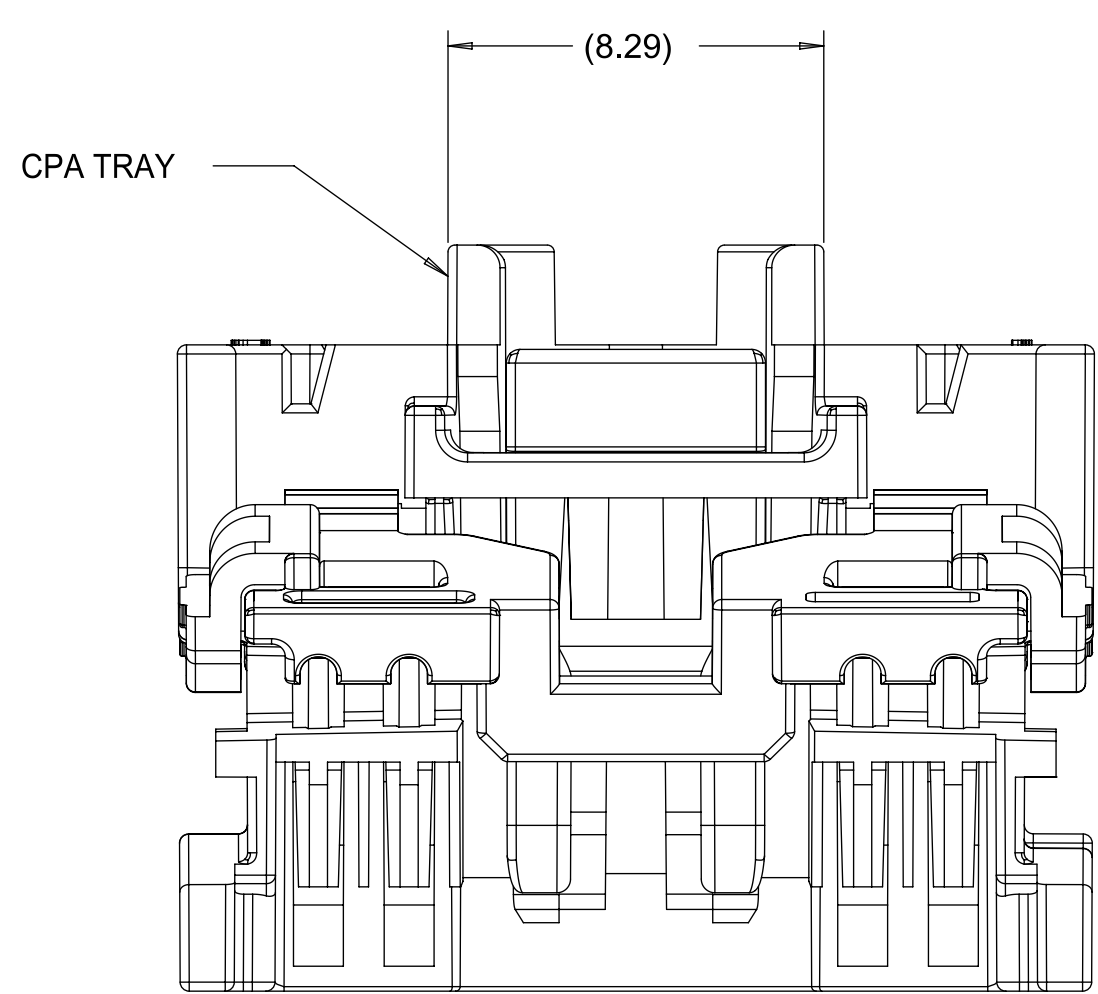


\*NOTE: DIM 9 & DIM 12 TOLERANCE IS +0.30/-0.15 FOR THE FOLLOWING P/NS:  
34824-0164/5/6; 34824-1164/5/6  
34824-0204/5/6; 34824-1204/5/6  
34824-0244/5/6; 34824-1244/5/6

(BRIDGED OPTION SHOWN BELOW)

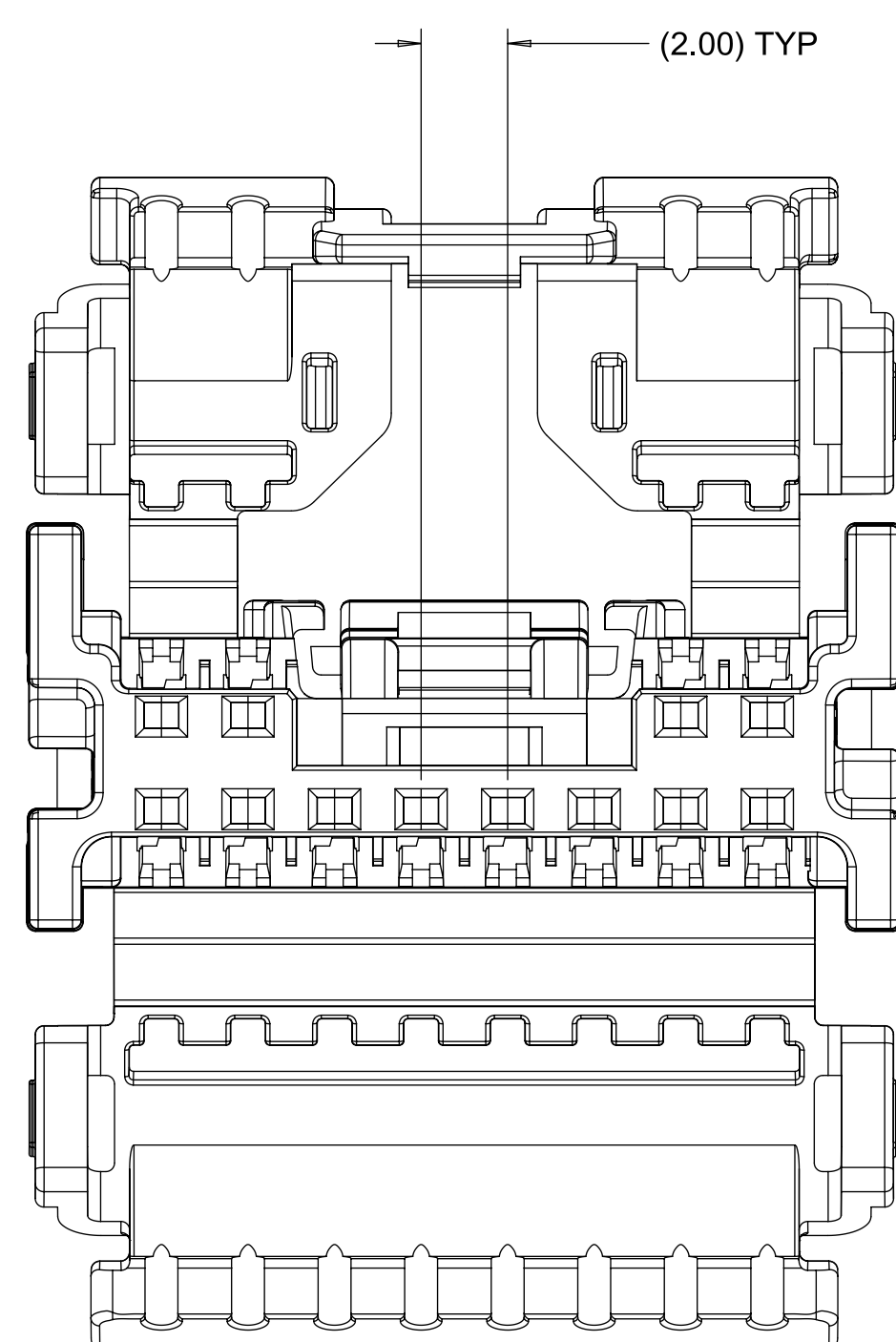
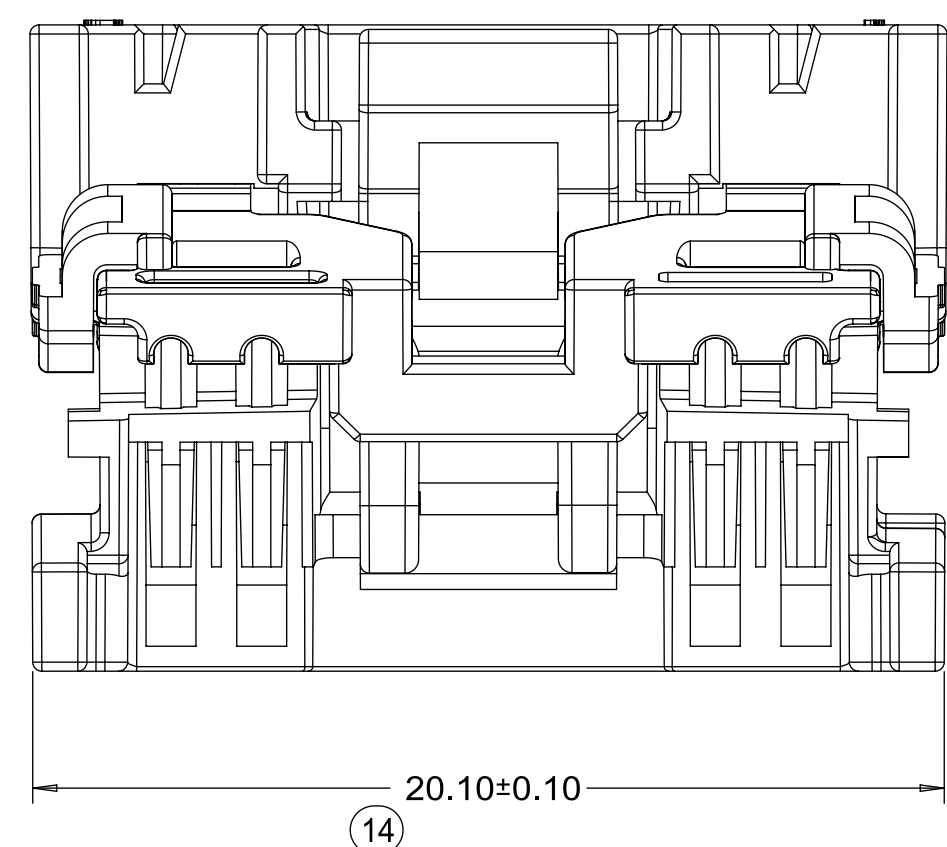


\*NOTE: DIM 9 & DIM 12 TOLERANCE IS +0.30/-0.15 FOR THE FOLLOWING P/NS:  
34824-0164/5/6; 34824-1164/5/6  
34824-0204/5/6; 34824-1204/5/6  
34824-0244/5/6; 34824-1244/5/6

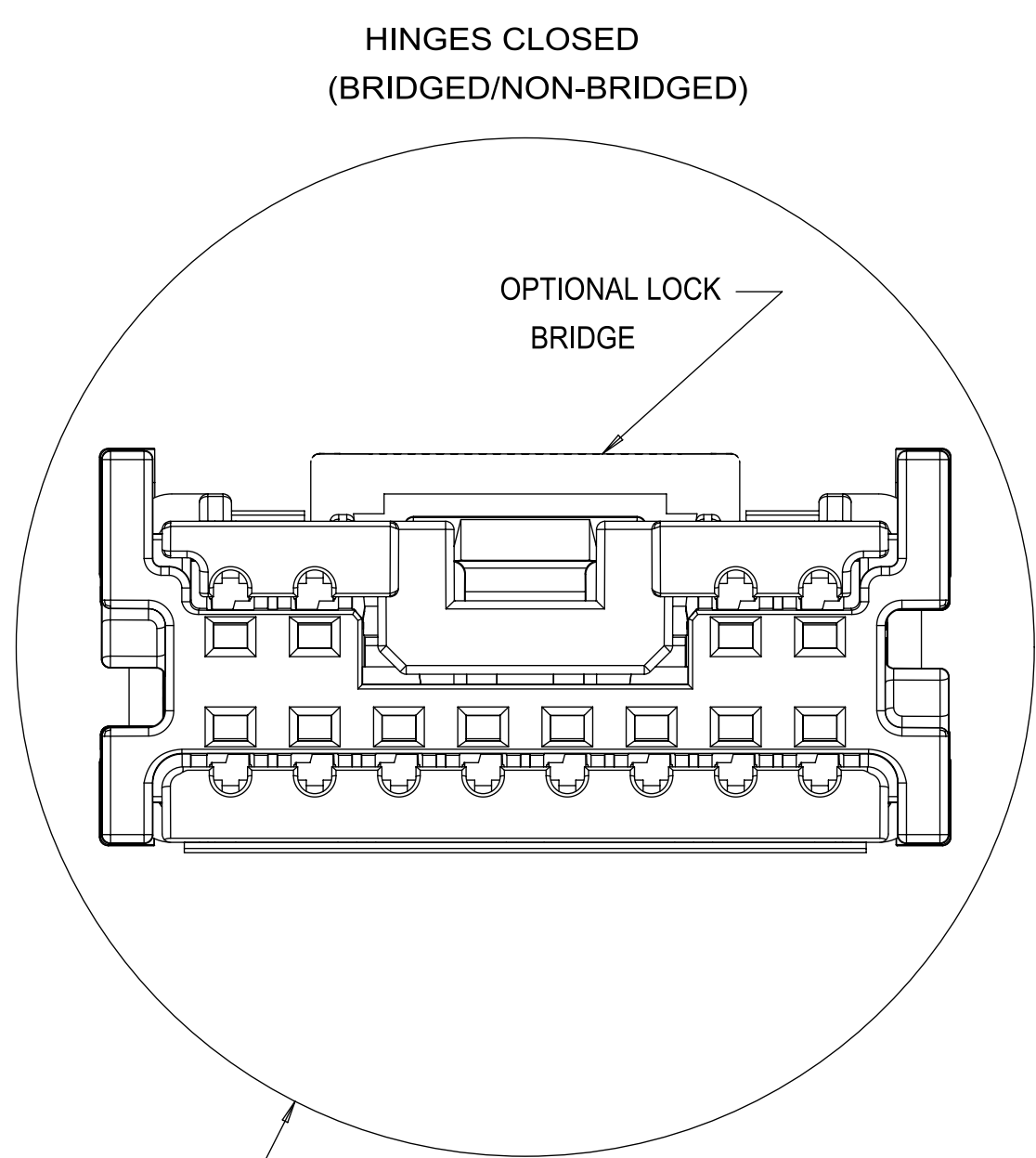


(BRIDGED OPTION SHOWN)

### 12 CIRCUIT USCAR COMPATIBLE RECEPTACLE

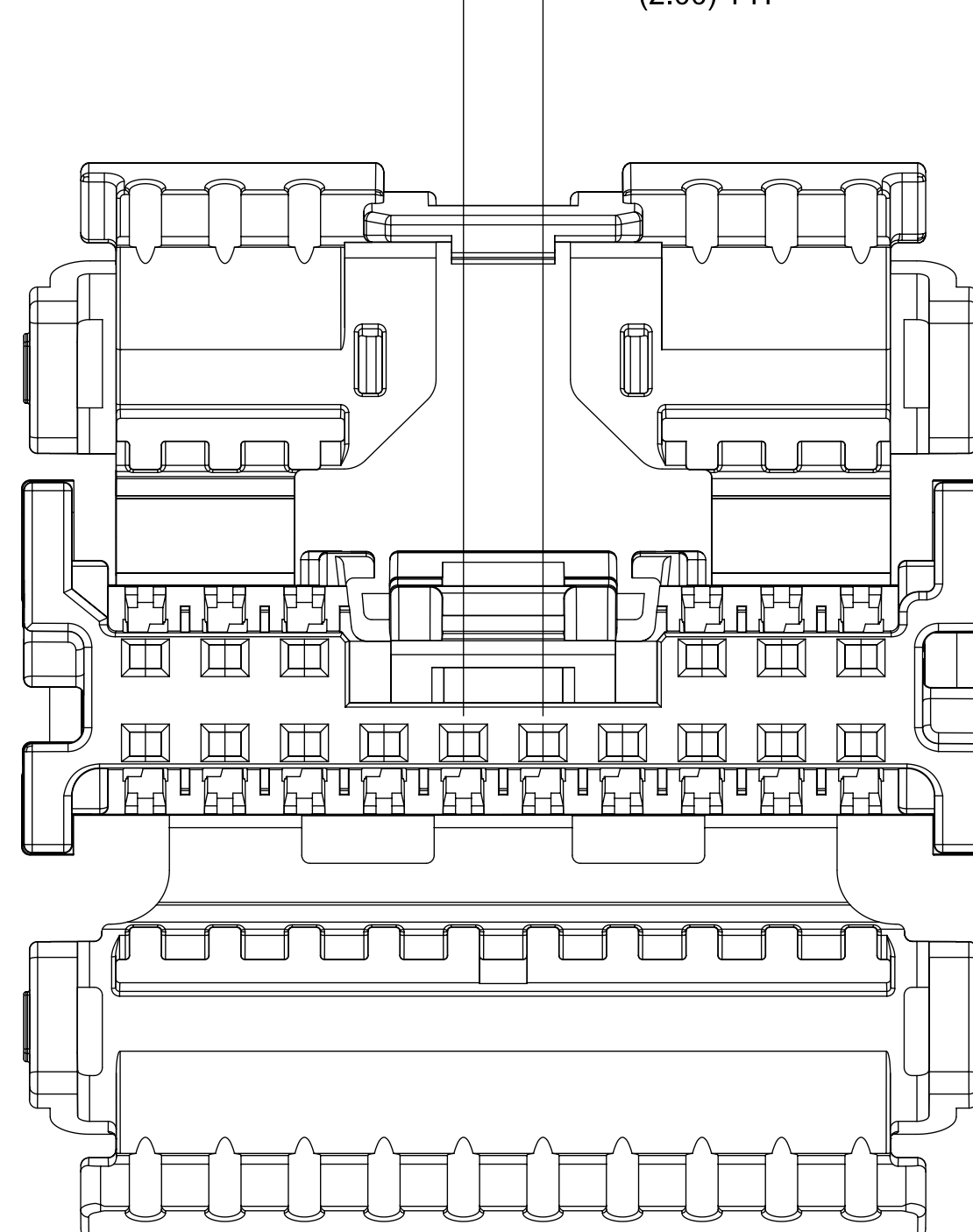
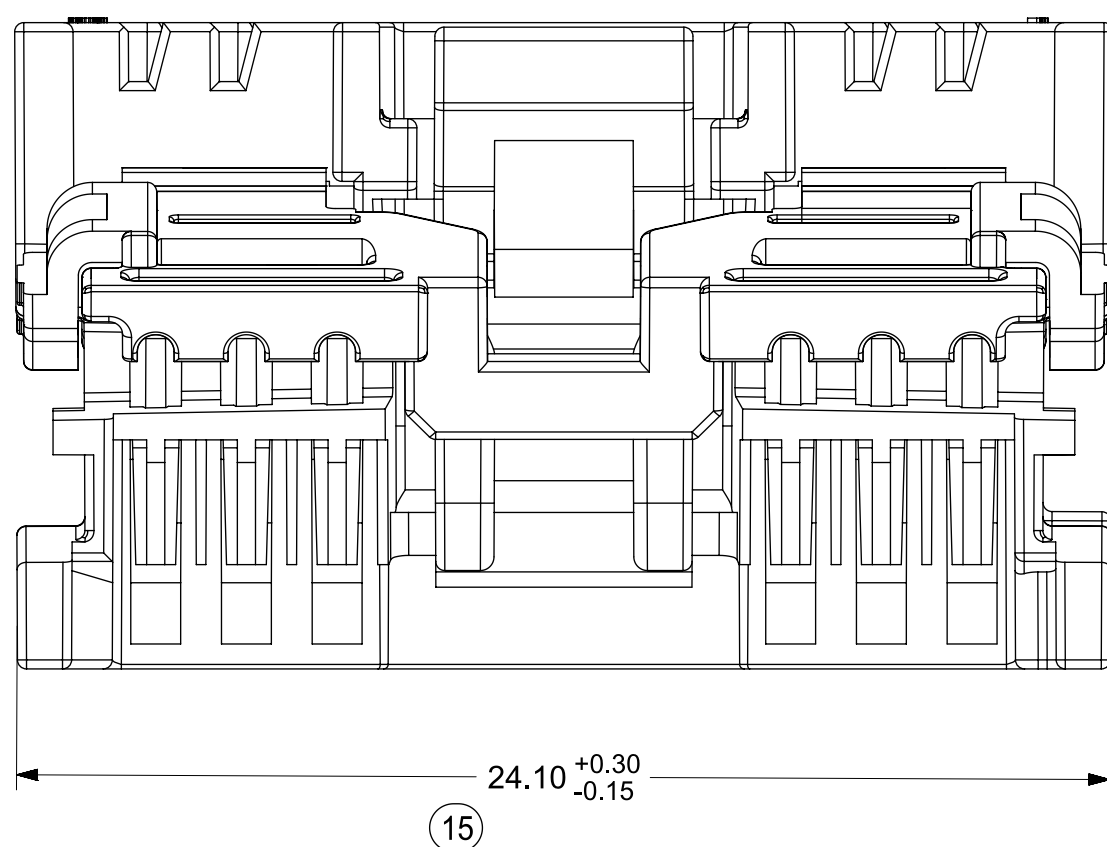


HINGES CLOSED (BRIDGED/NON-BRIDGED)

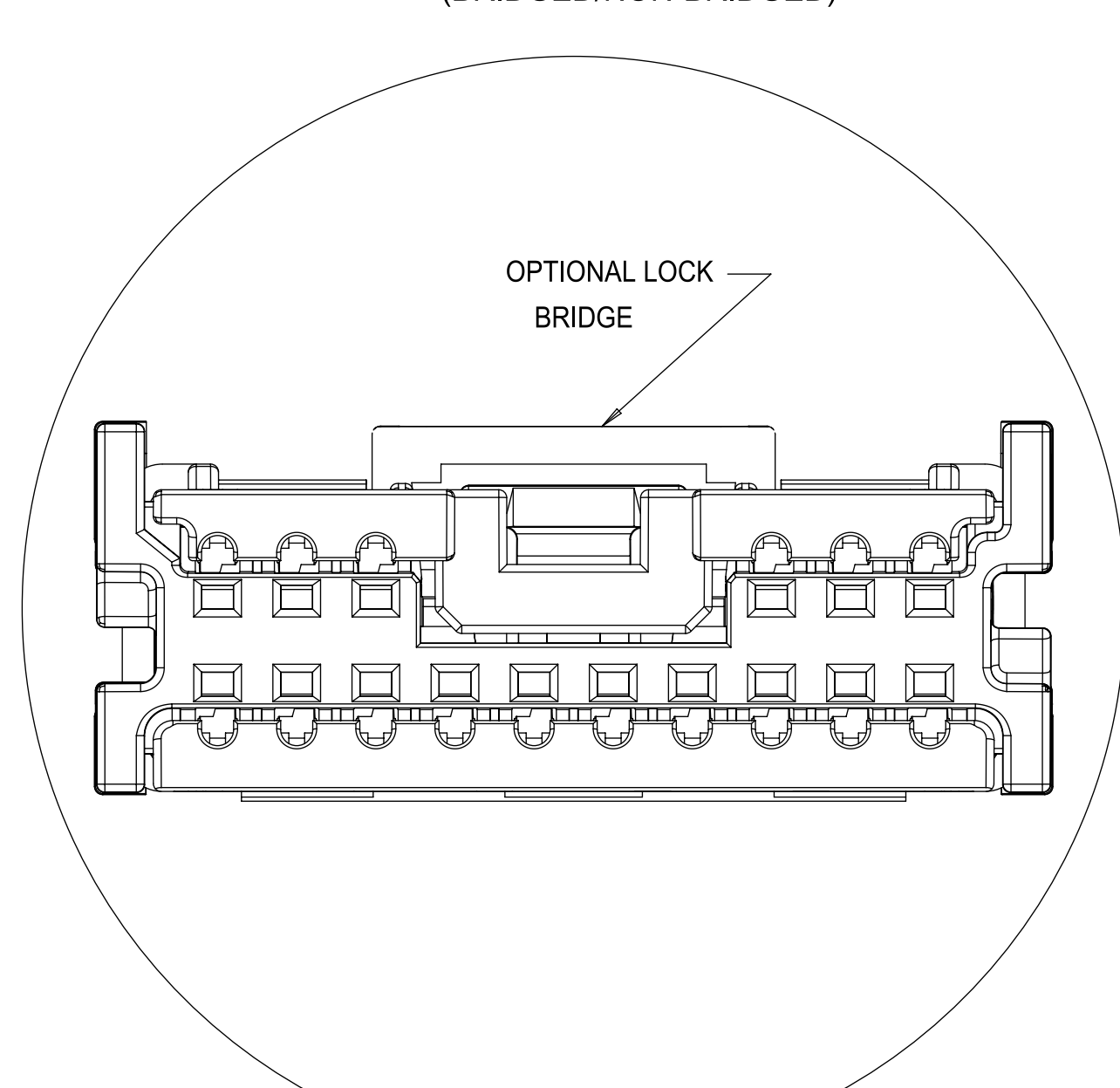


PASS THRU DIAMETER  $\varnothing 24.18$   
1 mm ADDITIONAL CLEARANCE ADDED TO TIGHTEST FIT CIRCLE

### 16 CIRCUIT RECEPTACLE

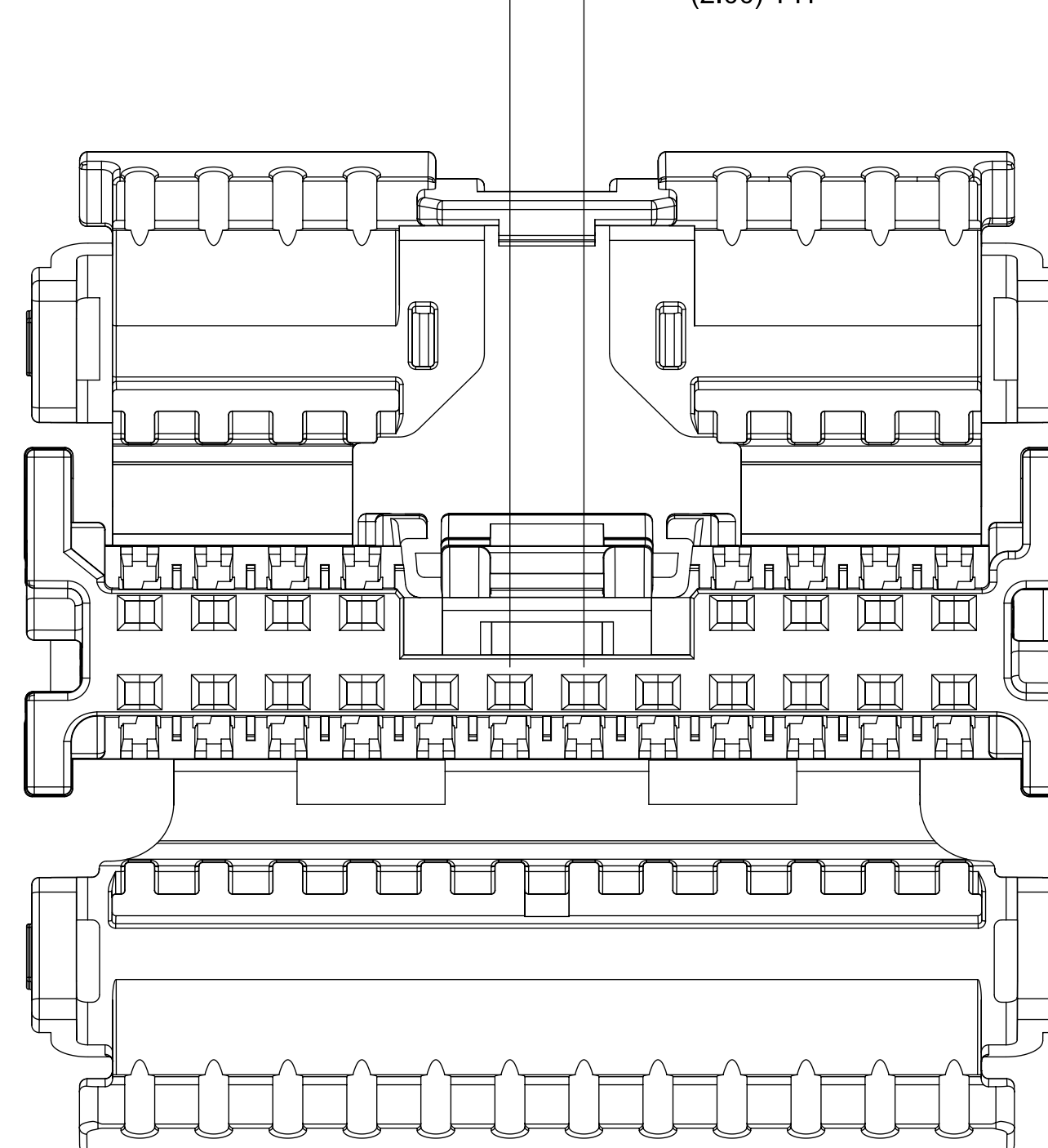
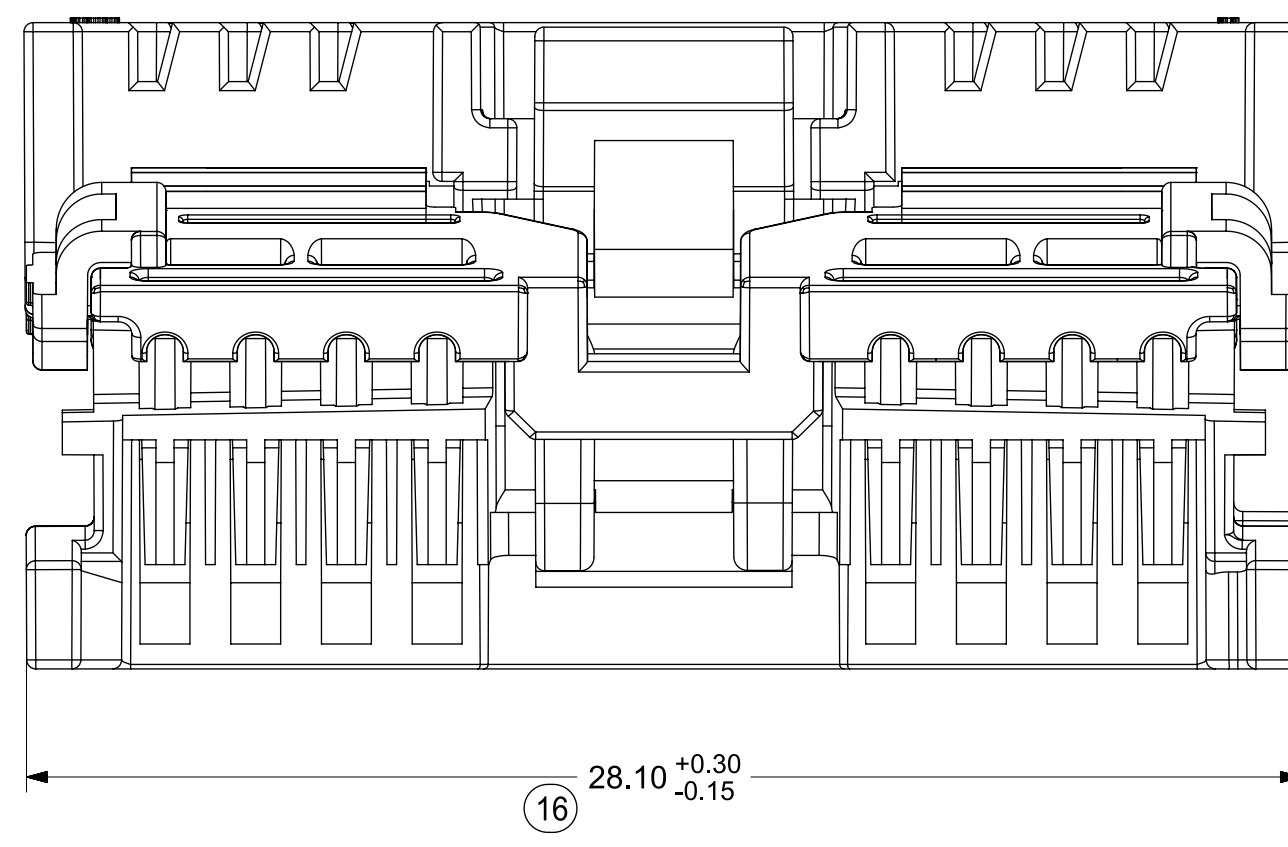


HINGES CLOSED (BRIDGED/NON-BRIDGED)

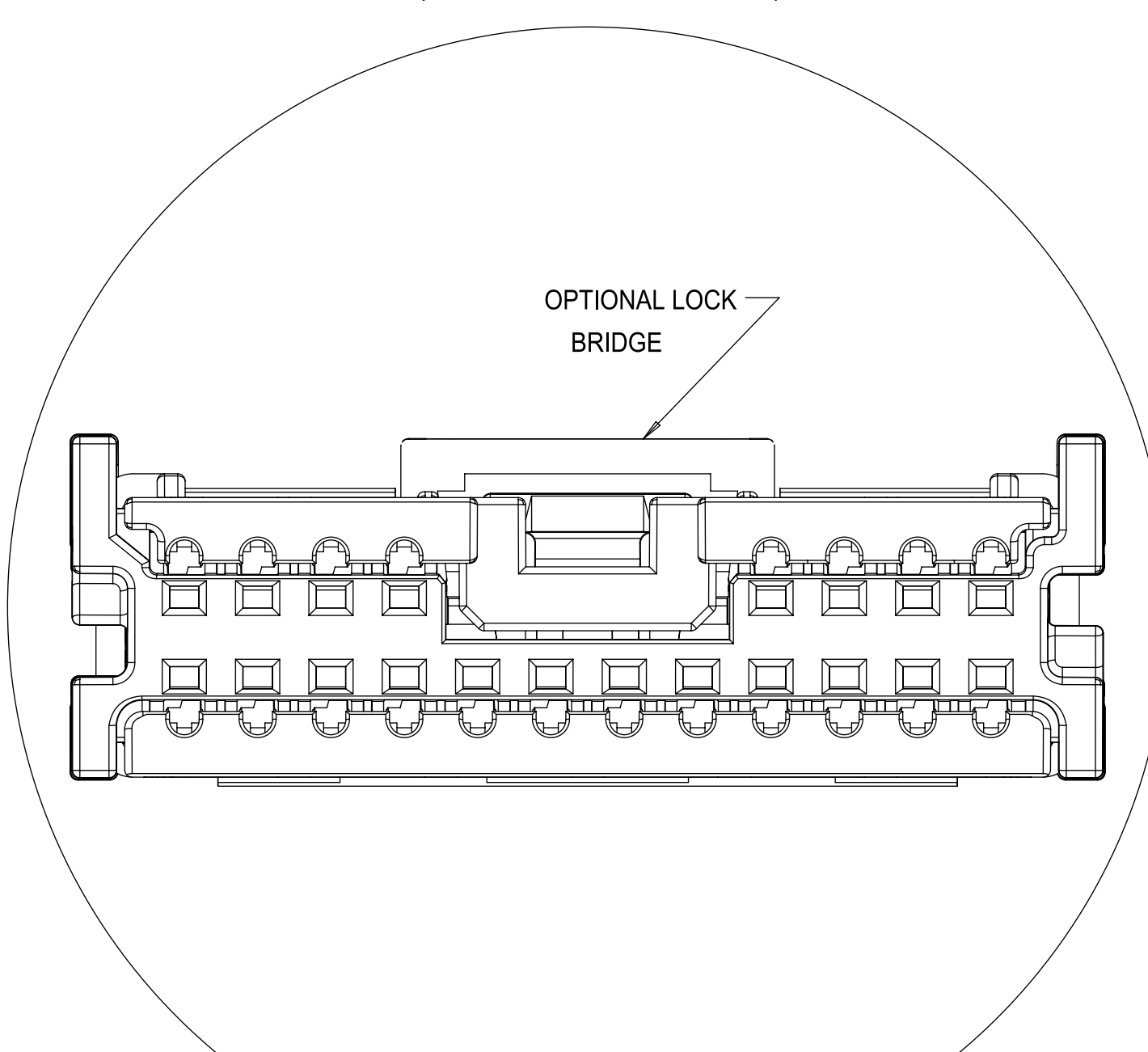


PASS THRU DIAMETER  $\varnothing 27.88$   
1 mm ADDITIONAL CLEARANCE ADDED TO TIGHTEST FIT CIRCLE

### 20 CIRCUIT RECEPTACLE

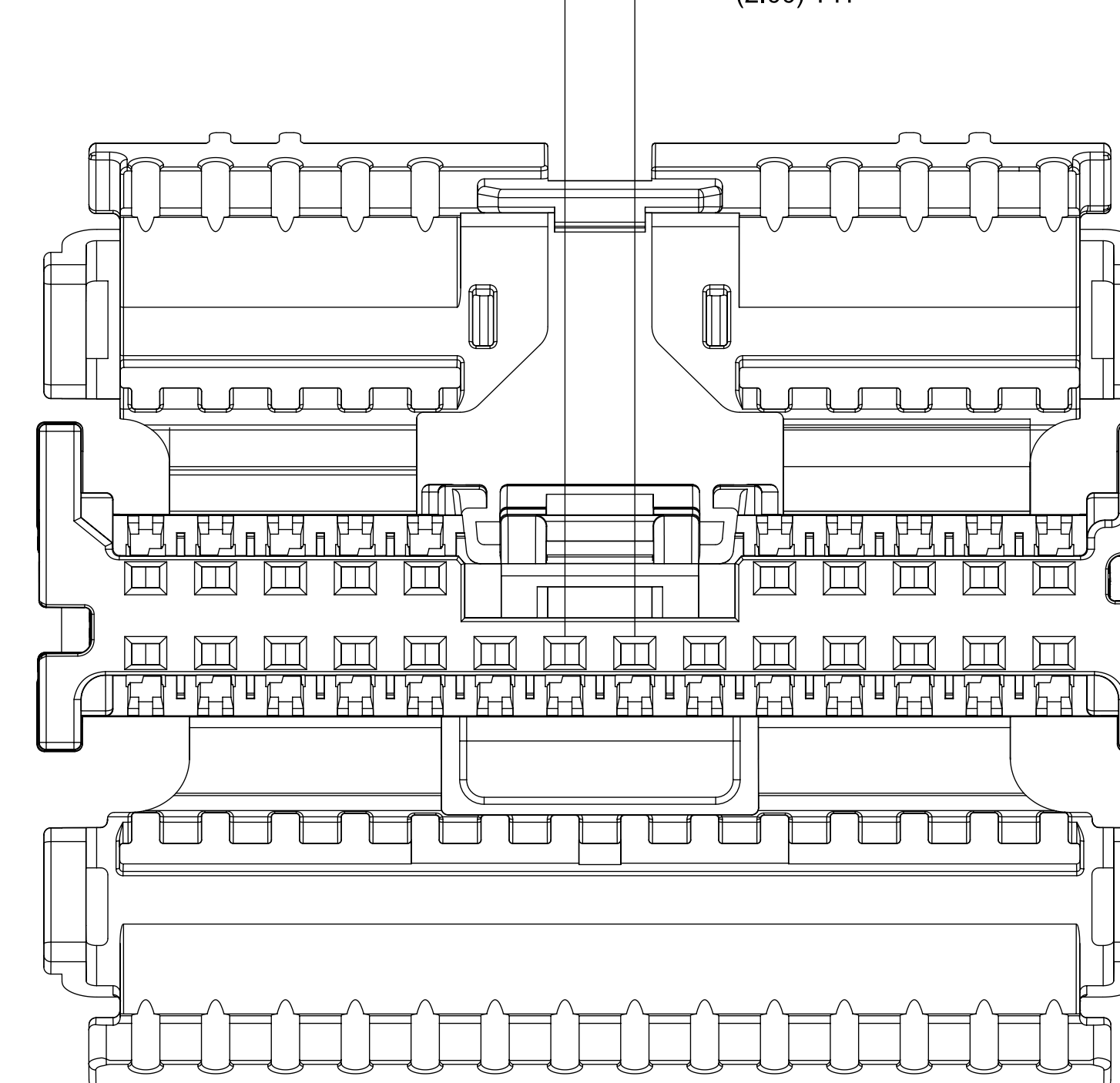
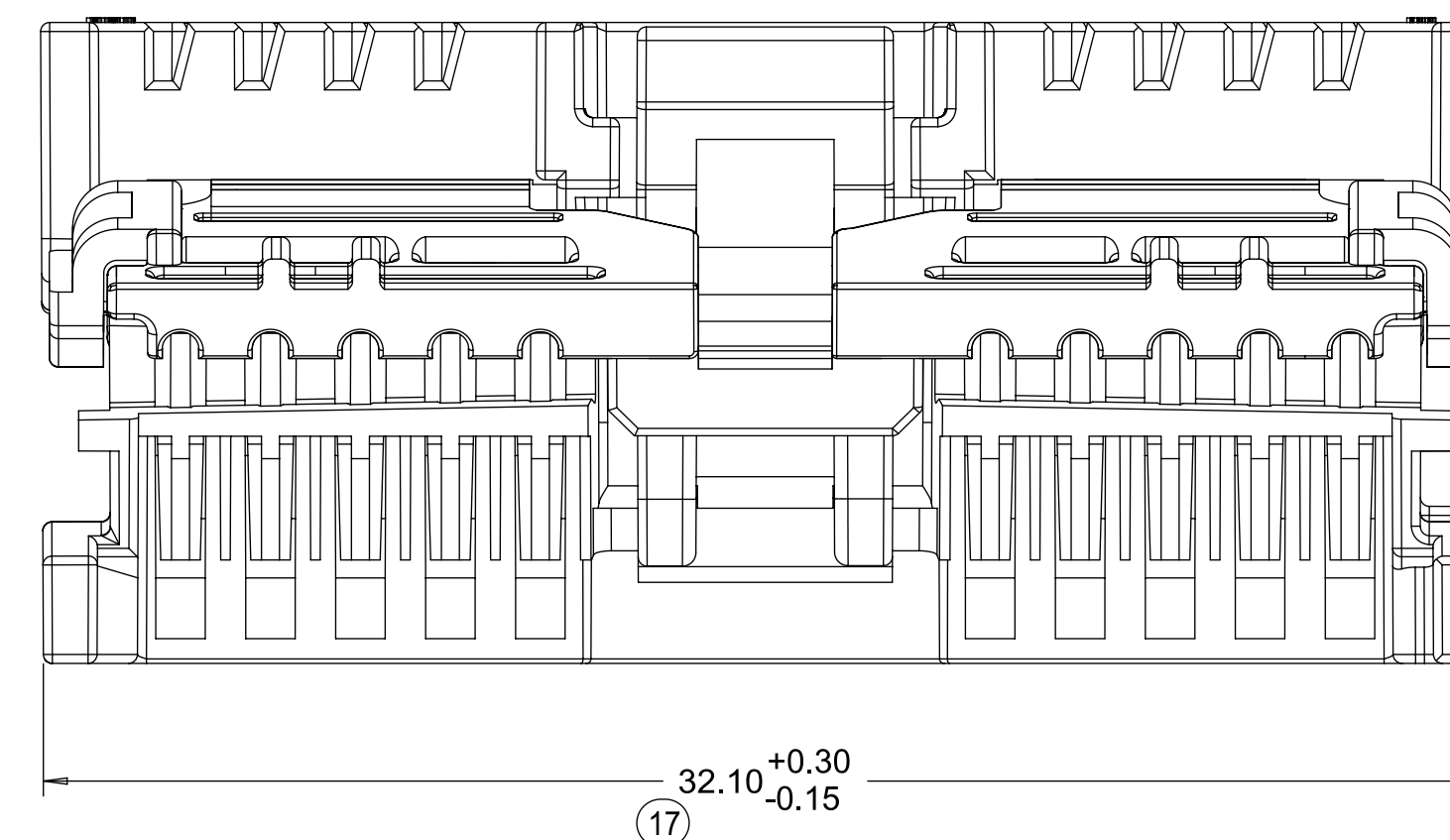


HINGES CLOSED (BRIDGED/NON-BRIDGED)

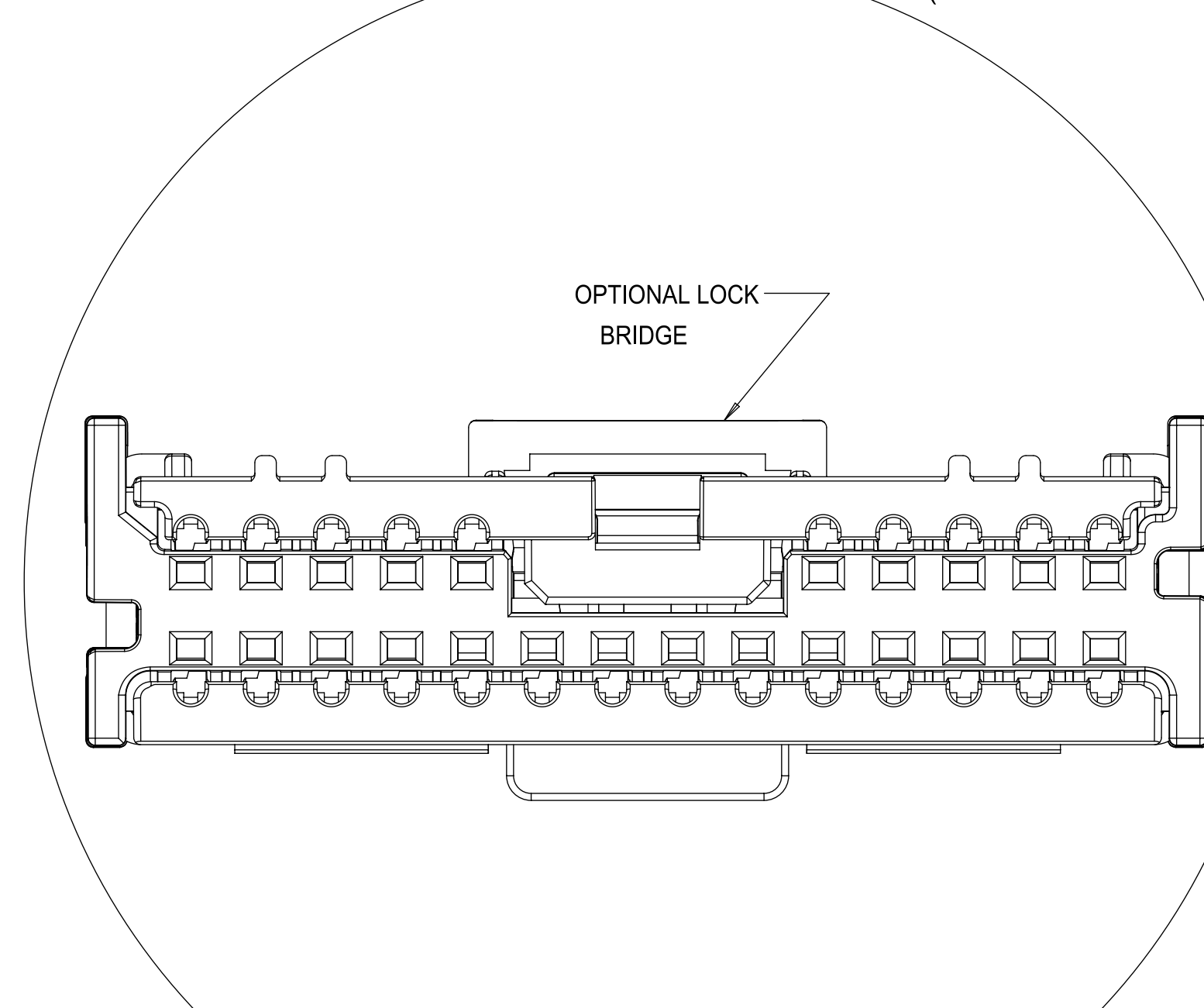


PASS THRU DIAMETER  $\varnothing 31.64$   
1 mm ADDITIONAL CLEARANCE ADDED TO TIGHTEST FIT CIRCLE

### 24 CIRCUIT RECEPTACLE

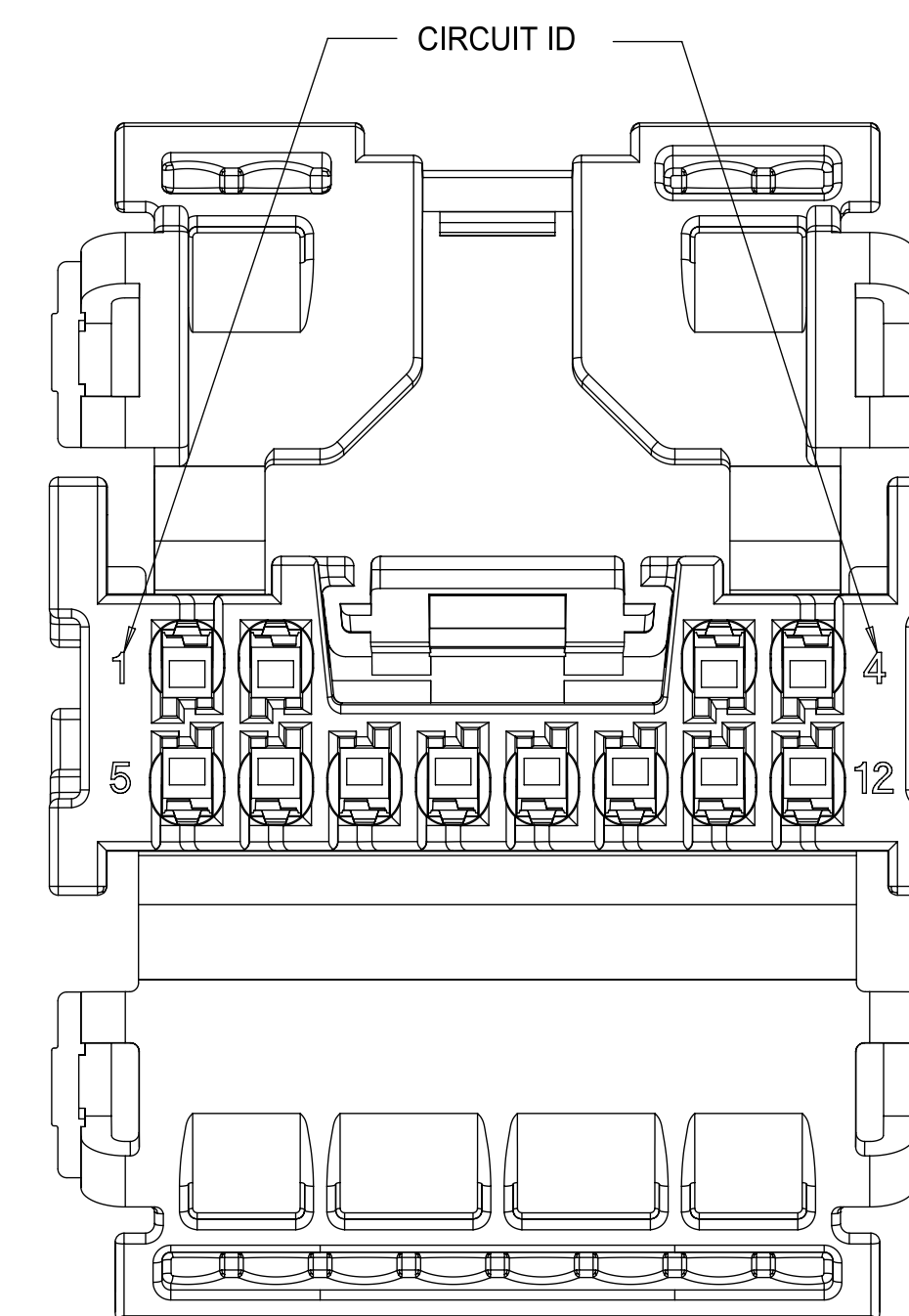


HINGES CLOSED (BRIDGED/NON-BRIDGED)

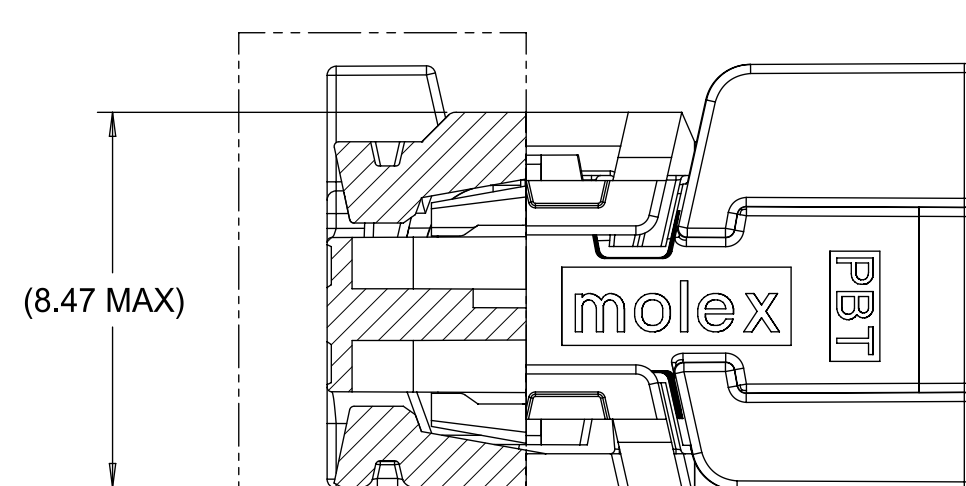
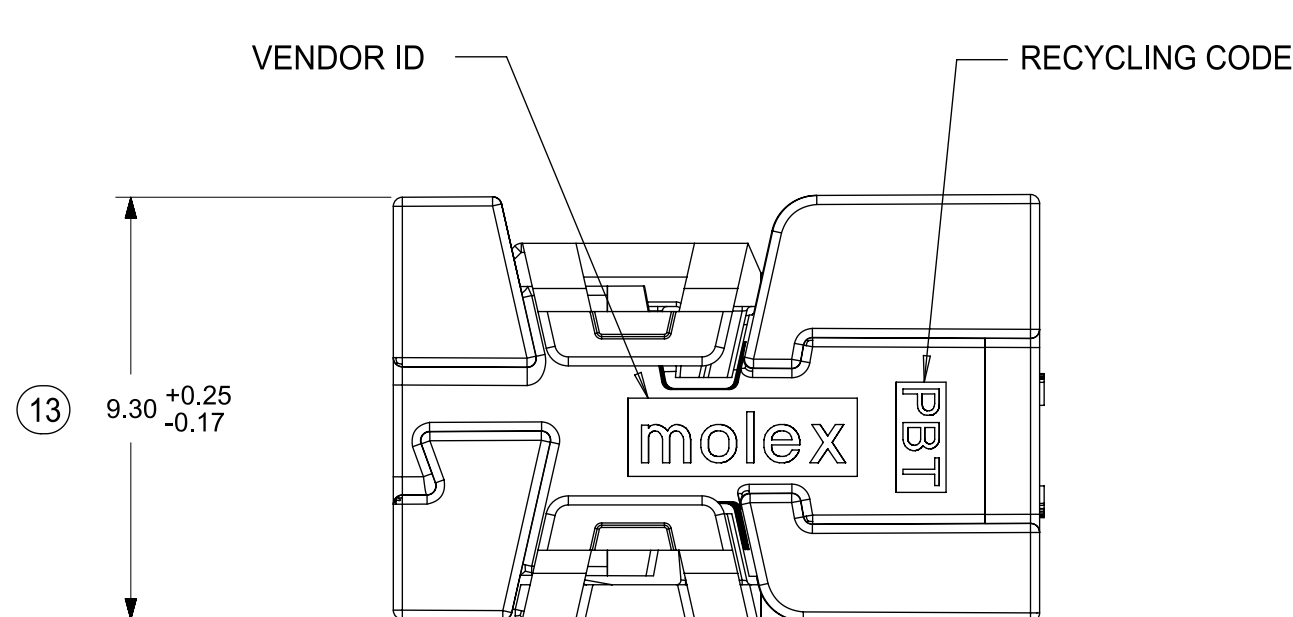


PASS THRU DIAMETER  $\varnothing 35.48$   
1 mm ADDITIONAL CLEARANCE ADDED TO TIGHTEST FIT CIRCLE

12 CKT RECEPTACLE SHOWN BELOW 16, 20, AND 24 CKT RECEPTACLE HAS SIMILAR CIRCUIT ID LOCATION



HINGES CLOSED



QUALITY SYMBOLS										THIS DRAWING CONTAINS INFORMATION THAT IS PROPRIETARY TO MOLEX ELECTRONIC TECHNOLOGIES, LLC AND SHOULD NOT BE USED WITHOUT WRITTEN PERMISSION																	
A = 0		B = 0		C = 0		D = 0		E = 0		F = 0		G = 0		H = 0		I = 0		J = 0		K = 0		L = 0					
EC NO: 603994 DRWN: KHEWITT CHKD: JDUNAJ REV APPR: JDUNAJ										2018/08/02 2018/09/05 2018/09/05																	
GENERAL TOLERANCES (UNLESS SPECIFIED)										DIMENSION UNITS		SCALE															
										MM ONLY		6:1															
ANGULAR TOL ±										DRWN BY		DATE															
4 PLACES ±										TCUCU		2011/03/10															
3 PLACES ±										CHK'D BY		DATE															
2 PLACES ± 0.1										TMACHUGA		2011/03/11															
1 PLACE ± 0.2										APPR BY		DATE															
0 PLACES ±										SMARCEAU		2012/05/21															
DRAFT WHERE APPLICABLE MUST REMAIN WITHIN DIMENSIONS										DRAWING SIZE		THIRD ANGLE PROJECTION															
										E																	
										SERIES		MATERIAL NUMBER		CUSTOMER													
										34824		SEE TABLE		GENERAL MARKET													
										DOCUMENT NUMBER		DOC TYPE		DOC PART		SHEET NUMBER											
										SD-34824-002		PSD		001		3 OF 4											

# molex®

## MINI50 DUAL ROW RECEPTACLE SALES DRAWING

### PRODUCT CUSTOMER DRAWING

MINI50 RECEPTACLE ASSEMBLIES

PBT RECEPTACLES


MATERIAL NUMBER BULK PACKAGING PK-31301-538	LOCK BRIDGE OPTION	CONFIGURATION	CIRCUIT	POL	COLOR	MATING COMPONENT					
						SURFACE MOUNT TECHNOLOGY (SMT) HEADER		VERTICAL THRU HOLE HEADER		RIGHT ANGLE THRU HOLE HEADER	
						TAPE AND REEL PACKAGING PK-31301-786	TUBE PACKAGING PK-31301-688	TRAY PACKAGING PK-31301-440	TUBE PACKAGING PK-31301-688	TRAY PACKAGING PK-31301-440	TUBE PACKAGING PK-31301-688
34824-0124	NO	USCAR COMPATIBLE	12	A	BLACK	34897-8120	34897-9120	34825-0124	34825-9124	34826-0124	34826-9124
34824-0125	NO	USCAR COMPATIBLE	12	B	GRAY	34897-8121	34897-9121	34825-0125	34825-9125	34826-0125	34826-9125
34824-0126	NO	USCAR COMPATIBLE	12	C	DARK GRAY	34897-8122	34897-9122	34825-0126	34825-9126	34826-0126	34826-9126
34824-1124	YES	USCAR COMPATIBLE	12	A	BLACK	34897-8120	34897-9120	34825-0124	34825-9124	34826-0124	34826-9124
34824-1125	YES	USCAR COMPATIBLE	12	B	GRAY	34897-8121	34897-9121	34825-0125	34825-9125	34826-0125	34826-9125
34824-1126	YES	USCAR COMPATIBLE	12	C	DARK GRAY	34897-8122	34897-9122	34825-0126	34825-9126	34826-0126	34826-9126
34824-0160	NO	USCAR COMPATIBLE	16	A	BLACK	34897-8160	34897-9160	34825-0160	34825-9160	34826-0160	34826-9160
34824-0161	NO	USCAR COMPATIBLE	16	B	GRAY	34897-8161	34897-9161	34825-0161	34825-9161	34826-0161	34826-9161
34824-0162	NO	USCAR COMPATIBLE	16	C	DARK GRAY	34897-8162	34897-9162	34825-0162	34825-9162	34826-0162	34826-9162
34824-1160	YES	USCAR COMPATIBLE	16	A	BLACK	34897-8160	34897-9160	34825-0160	34825-9160	34826-0160	34826-9160
34824-1161	YES	USCAR COMPATIBLE	16	B	GRAY	34897-8161	34897-9161	34825-0161	34825-9161	34826-0161	34826-9161
34824-1162	YES	USCAR COMPATIBLE	16	C	DARK GRAY	34897-8162	34897-9162	34825-0162	34825-9162	34826-0162	34826-9162
34824-0200	NO	USCAR COMPATIBLE	20	A	BLACK	34897-8200	34897-9200	34825-0200	34825-9200	34826-0200	34826-9200
34824-0201	NO	USCAR COMPATIBLE	20	B	GRAY	34897-8201	34897-9201	34825-0201	34825-9201	34826-0201	34826-9201
34824-0202	NO	USCAR COMPATIBLE	20	C	DARK GRAY	34897-8202	34897-9202	34825-0202	34825-9202	34826-0202	34826-9202
34824-1200	YES	USCAR COMPATIBLE	20	A	BLACK	34897-8200	34897-9200	34825-0200	34825-9200	34826-0200	34826-9200
34824-1201	YES	USCAR COMPATIBLE	20	B	GRAY	34897-8201	34897-9201	34825-0201	34825-9201	34826-0201	34826-9201
34824-1202	YES	USCAR COMPATIBLE	20	C	DARK GRAY	34897-8202	34897-9202	34825-0202	34825-9202	34826-0202	34826-9202
34824-0240	NO	USCAR COMPATIBLE	24	A	BLACK	34897-8240	34897-9240	34825-0240	34825-9240	34826-0240	34826-9240
34824-0241	NO	USCAR COMPATIBLE	24	B	GRAY	34897-8241	34897-9241	34825-0241	34825-9241	34826-0241	34826-9241
34824-0242	NO	USCAR COMPATIBLE	24	C	DARK GRAY	34897-8242	34897-9242	34825-0242	34825-9242	34826-0242	34826-9242
34824-1240	YES	USCAR COMPATIBLE	24	A	BLACK	34897-8240	34897-9240	34825-0240	34825-9240	34826-0240	34826-9240
34824-1241	YES	USCAR COMPATIBLE	24	B	GRAY	34897-8241	34897-9241	34825-0241	34825-9241	34826-0241	34826-9241
34824-1242	YES	USCAR COMPATIBLE	24	C	DARK GRAY	34897-8242	34897-9242	34825-0242	34825-9242	34826-0242	34826-9242

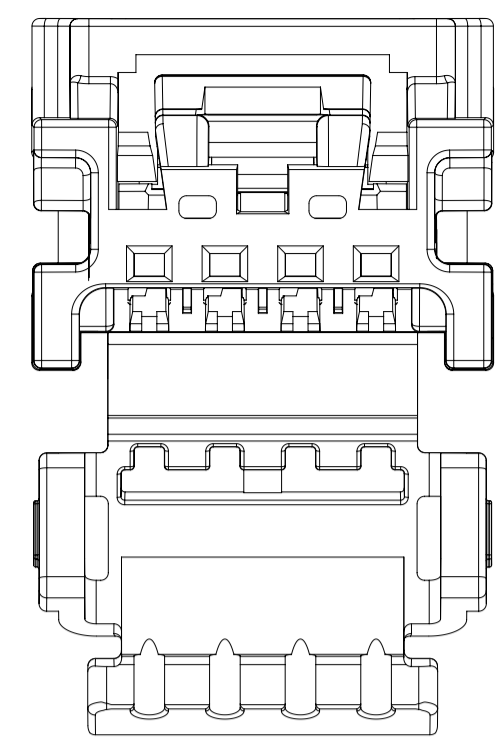
ECOPAXX RECEPTACLES

MATERIAL NUMBER BULK PACKAGING PK-31301-538	LOCK BRIDGE OPTION	CONFIGURATION	CIRCUIT	POL	COLOR	MATING COMPONENT					
						SURFACE MOUNT TECHNOLOGY (SMT) HEADER		VERTICAL THRU HOLE HEADER		RIGHT ANGLE THRU HOLE HEADER	
						TAPE AND REEL PACKAGING PK-31301-786	TUBE PACKAGING PK-31301-688	TRAY PACKAGING PK-31301-440	TUBE PACKAGING PK-31301-688	TRAY PACKAGING PK-31301-440	TUBE PACKAGING PK-31301-688
34824-0164	NO	USCAR COMPATIBLE	16	A	BLACK	34897-8160	34897-9160	34825-0160	34825-9160	34826-0160	34826-9160
34824-0165	NO	USCAR COMPATIBLE	16	B	GRAY	34897-8161	34897-9161	34825-0161	34825-9161	34826-0161	34826-9161
34824-0166	NO	USCAR COMPATIBLE	16	C	DARK GRAY	34897-8162	34897-9162	34825-0162	34825-9162	34826-0162	34826-9162
34824-1164	YES	USCAR COMPATIBLE	16	A	BLACK	34897-8160	34897-9160	34825-0160	34825-9160	34826-0160	34826-9160
34824-1165	YES	USCAR COMPATIBLE	16	B	GRAY	34897-8161	34897-9161	34825-0161	34825-9161	34826-0161	34826-9161
34824-1166	YES	USCAR COMPATIBLE	16	C	DARK GRAY	34897-8162	34897-9162	34825-0162	34825-9162	34826-0162	34826-9162
34824-0204	NO	USCAR COMPATIBLE	20	A	BLACK	34897-8200	34897-9200	34825-0200	34825-9200	34826-0200	34826-9200
34824-0205	NO	USCAR COMPATIBLE	20	B	GRAY	34897-8201	34897-9201	34825-0201	34825-9201	34826-0201	34826-9201
34824-0206	NO	USCAR COMPATIBLE	20	C	DARK GRAY	34897-8202	34897-9202	34825-0202	34825-9202	34826-0202	34826-9202
34824-1204	YES	USCAR COMPATIBLE	20	A	BLACK	34897-8200	34897-9200	34825-0200	34825-9200	34826-0200	34826-9200
34824-1205	YES	USCAR COMPATIBLE	20	B	GRAY	34897-8201	34897-9201	34825-0201	34825-9201	34826-0201	34826-9201
34824-1206	YES	USCAR COMPATIBLE	20	C	DARK GRAY	34897-8202	34897-9202	34825-0202	34825-9202	34826-0202	34826-9202
34824-0244	NO	USCAR COMPATIBLE	24	A	BLACK	34897-8240	34897-9240	34825-0240	34825-9240	34826-0240	34826-9240
34824-0245	NO	USCAR COMPATIBLE	24	B	GRAY	34897-8241	34897-9241	34825-0241	34825-9241	34826-0241	34826-9241
34824-0246	NO	USCAR COMPATIBLE	24	C	DARK GRAY	34897-8242	34897-9242	34825-0242	34825-9242	34826-0242	34826-9242
34824-1244	YES	USCAR COMPATIBLE	24	A	BLACK	34897-8240	34897-9240	34825-0240	34825-9240	34826-0240	34826-9240
34824-1245	YES	USCAR COMPATIBLE	24	B	GRAY	34897-8241	34897-9241	34825-0241	34825-9241	34826-0241	34826-9241
34824-1246	YES	USCAR COMPATIBLE	24	C	DARK GRAY	34897-8242	34897-9242	34825-0242	34825-9242	34826-0242	34826-9242

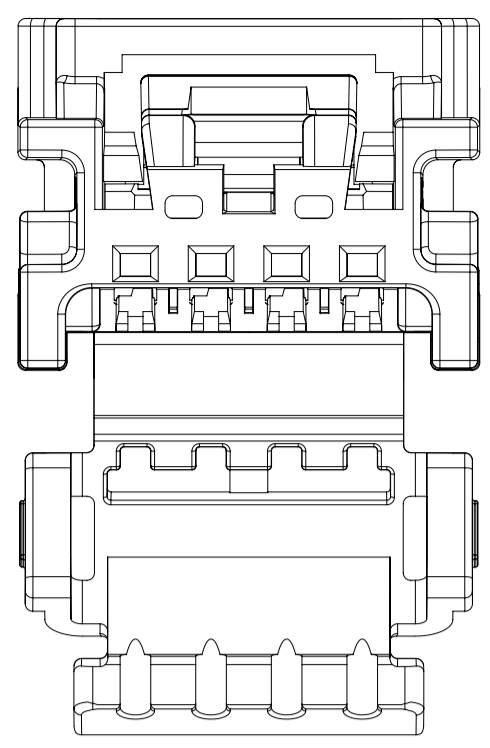
CTX50 UNSEALED RECEPTACLE TERMINALS

PART NUMBER		MATERIAL	WIRE GAGE (mm <sup>2</sup> )	GRIP
D-WIND (LEFT PAYOFF)	B-WIND (RIGHT PAYOFF)			
560023-0448	560023-0450	COPPER ALLOY	0.35	LARGE
560023-0421	560023-0423	COPPER ALLOY	0.22	MEDIUM
560023-0422	560023-0424	COPPER ALLOY	0.13	SMALL

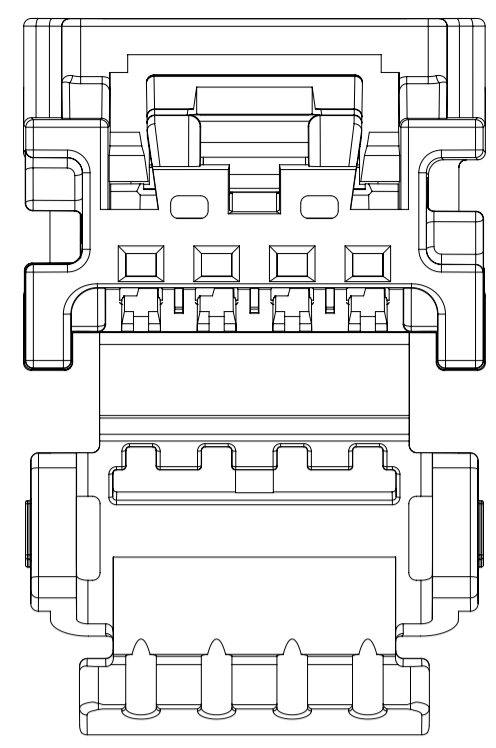
QUALITY SYMBOLS A = 0 E = 0 E = 0 E = 0 E = 0 E = 0 E = 0 E = 0 E = 0 E = 0	THIS DRAWING CONTAINS INFORMATION THAT IS PROPRIETARY TO MOLEX ELECTRONIC TECHNOLOGIES, LLC AND SHOULD NOT BE USED WITHOUT WRITTEN PERMISSION										
	2018/08/02	2018/09/05	2018/09/05	GENERAL TOLERANCES (UNLESS SPECIFIED)		DIMENSION UNITS		SCALE		 MINI50 DUAL ROW RECEPTACLE SALES DRAWING PRODUCT CUSTOMER DRAWING	
	DRWN BY: KHEWITT	CHKD BY: JDUJAJ	REV APPR: JDUJAJ	MM ONLY		1:1					
	4 PLACES ±		TCUCU		2011/03/10						
	3 PLACES ±		TMACHUGA		2011/03/11						
	2 PLACES ± 0.1		SMARCEAU		2012/05/21						
	1 PLACE ± 0.2		DRAWING SIZE		THIRD ANGLE PROJECTION						
	0 PLACES ±		E								
	DRAFT WHERE APPLICABLE MUST REMAIN WITHIN DIMENSIONS										
	SERIES: 34824		MATERIAL NUMBER: SEE TABLE		CUSTOMER: GENERAL MARKET						
DOCUMENT NUMBER: SD-34824-002		DOC TYPE: PSD		DOC PART: 001							
RELEASE STATUS: P1		RELEASE DATE: 2018/09/05		19:34:48							
4 OF 4											



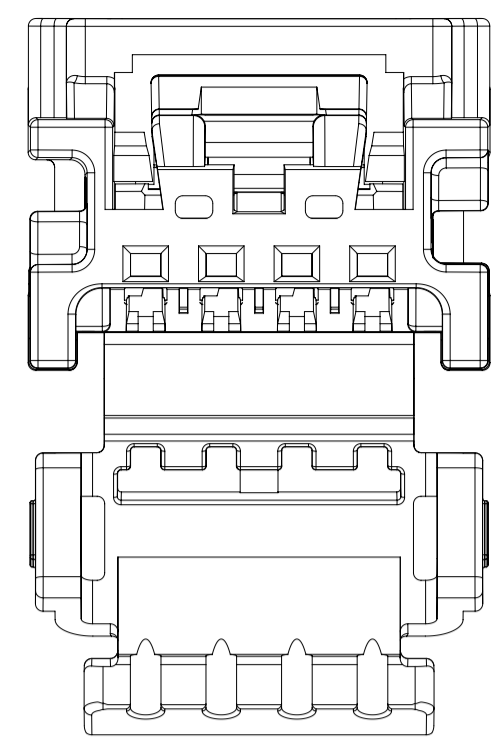
4 CKT BRIDGED RECEPTACLE W/CPA  
POLARIZATION OPTION A



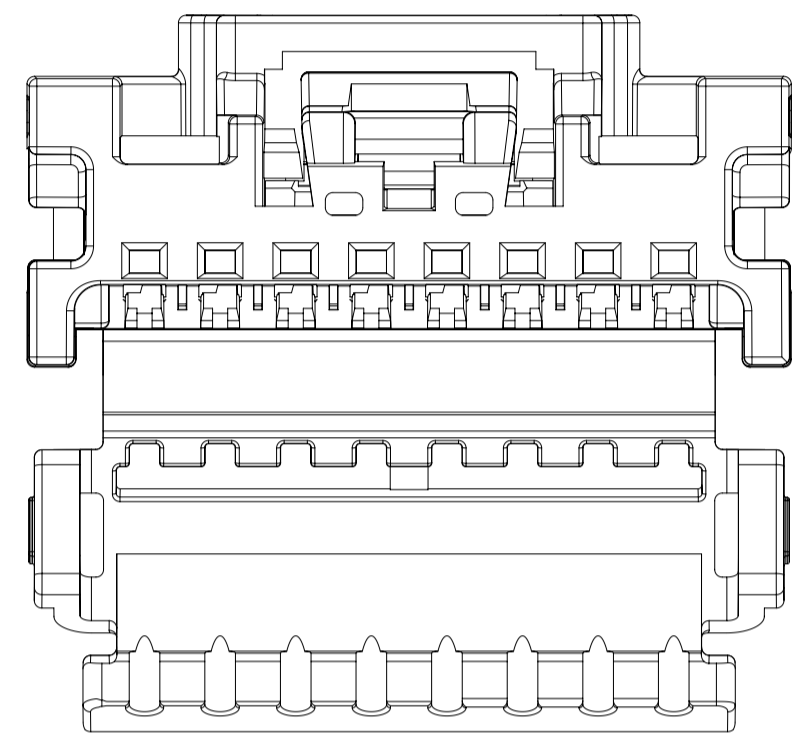
4 CKT BRIDGED RECEPTACLE W/CPA  
POLARIZATION OPTION B



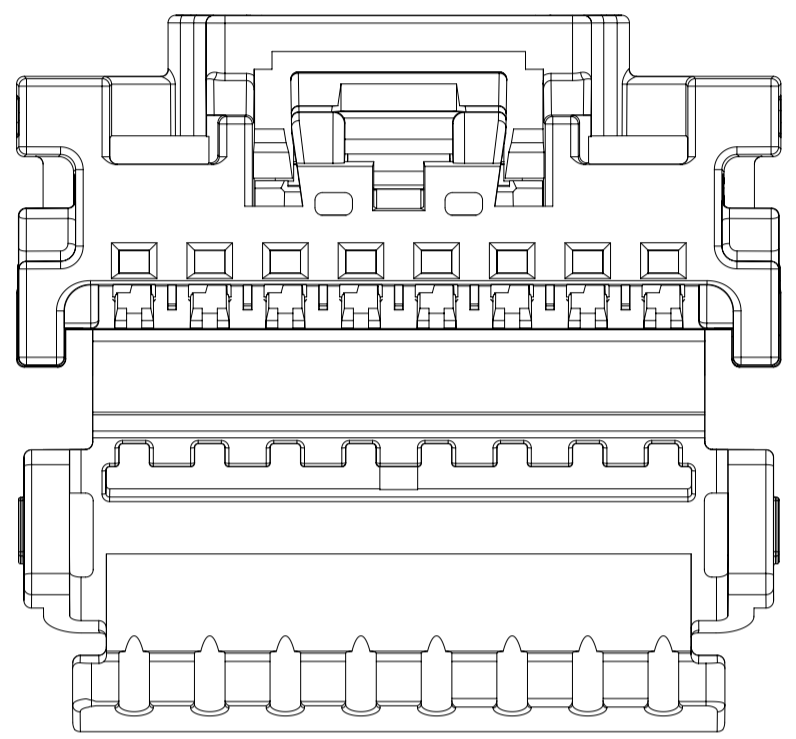
4 CKT BRIDGED RECEPTACLE W/CPA  
POLARIZATION OPTION C



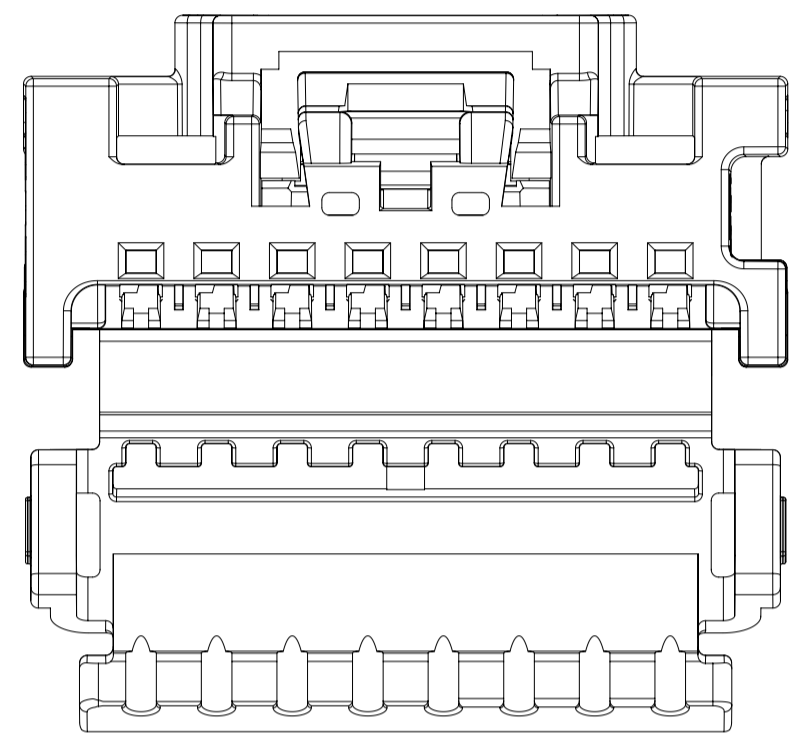
4 CKT BRIDGED RECEPTACLE W/CPA  
POLARIZATION OPTION D



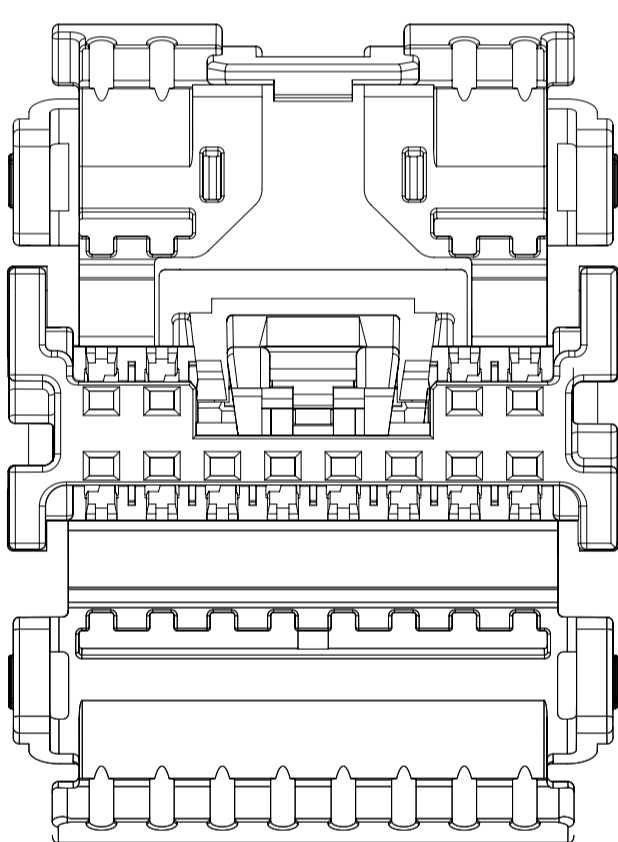
8 CKT BRIDGED RECEPTACLE W/CPA  
POLARIZATION OPTION A



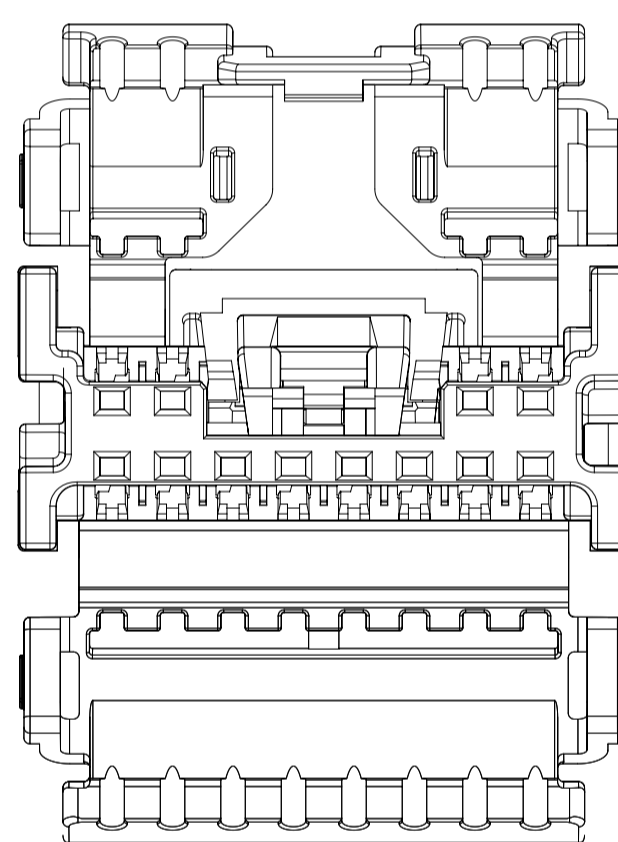
8 CKT BRIDGED RECEPTACLE W/CPA  
POLARIZATION OPTION B



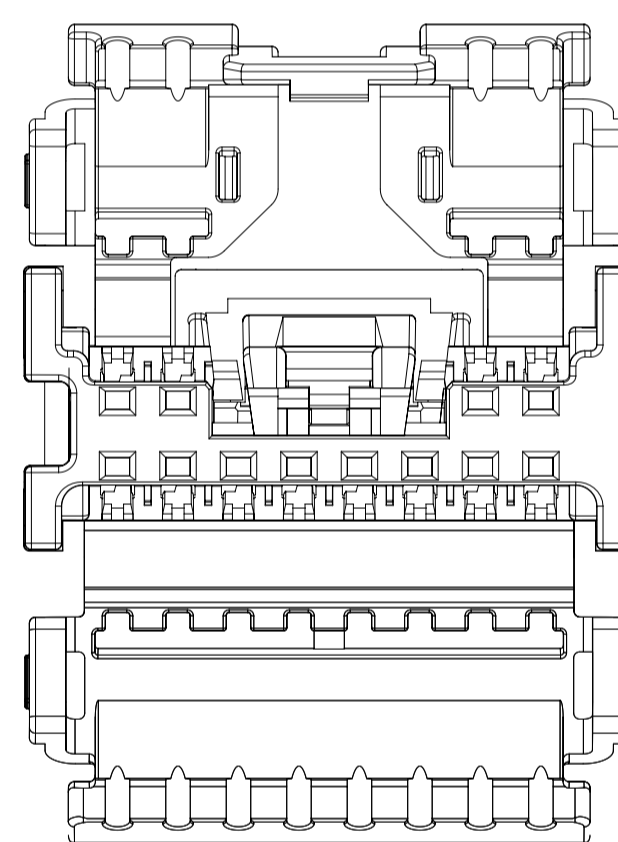
8 CKT BRIDGED RECEPTACLE W/CPA  
POLARIZATION OPTION C



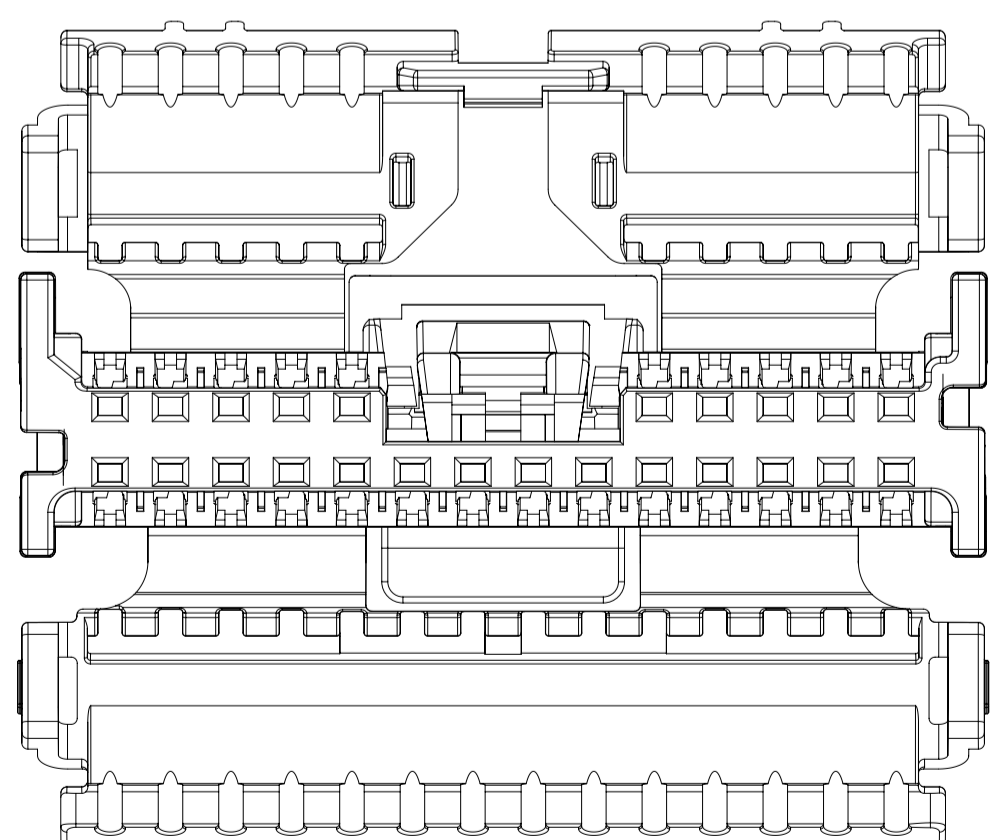
12 CKT BRIDGED RECEPTACLE W/CPA  
POLARIZATION OPTION A



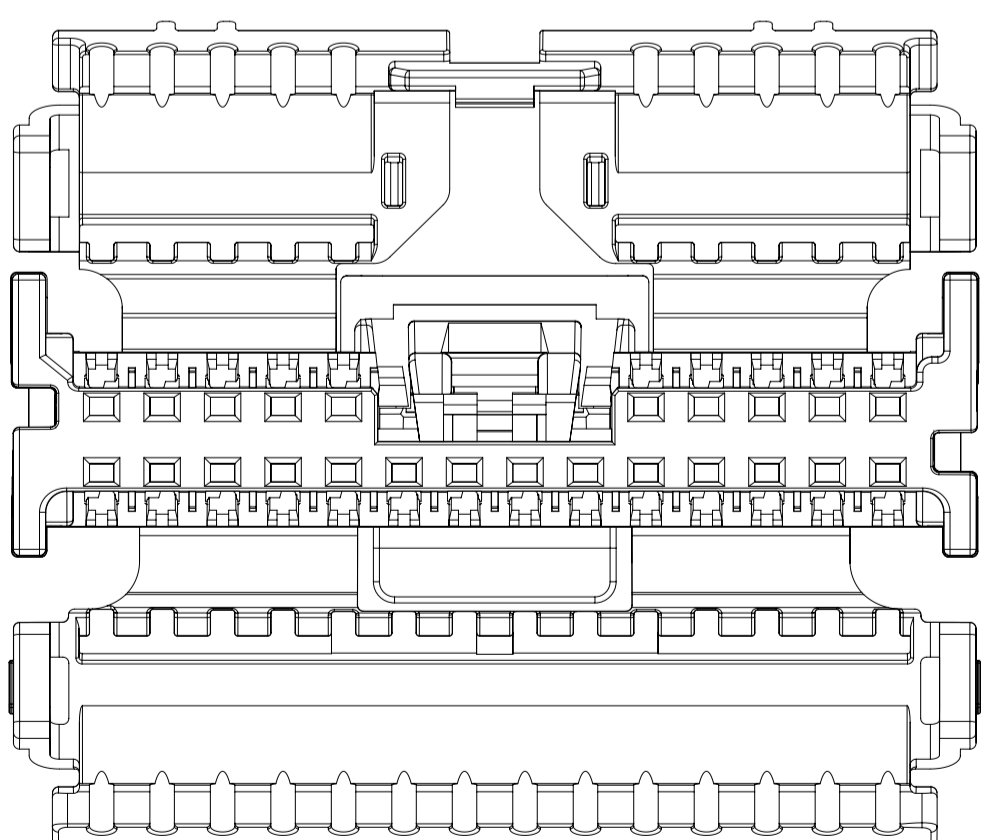
12 CKT BRIDGED RECEPTACLE W/CPA  
POLARIZATION OPTION B



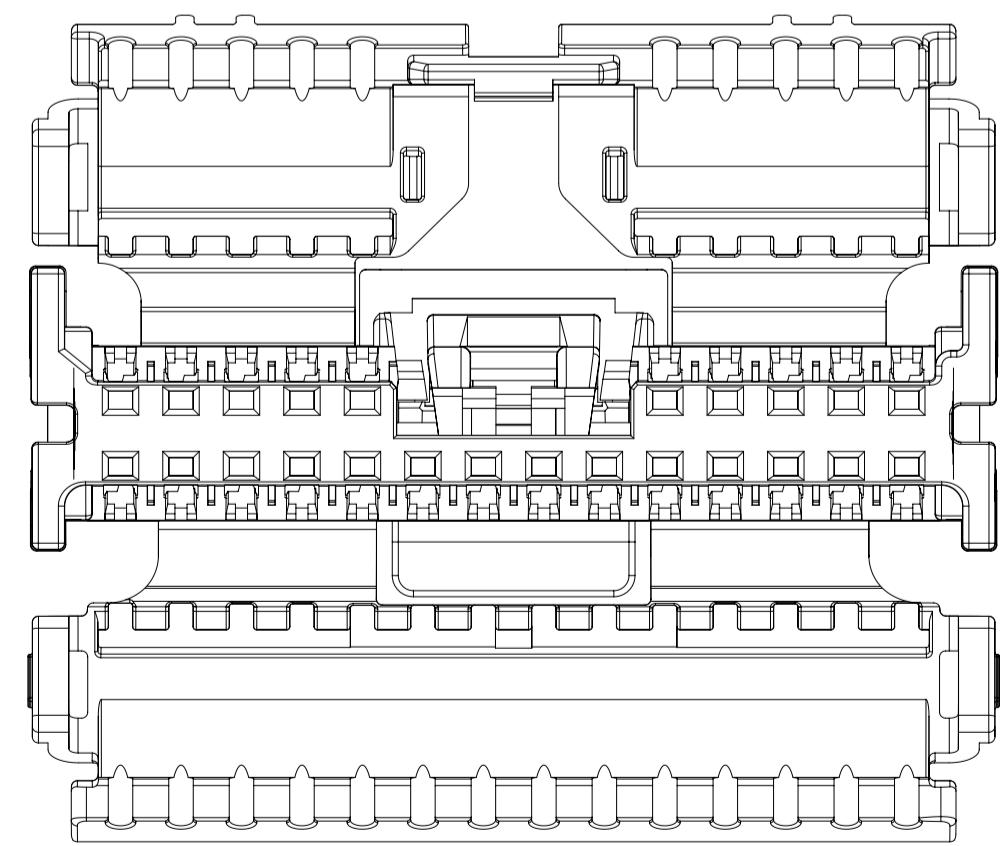
12 CKT BRIDGED RECEPTACLE W/CPA  
POLARIZATION OPTION C



24 CKT BRIDGED RECEPTACLE W/CPA  
POLARIZATION OPTION A



24 CKT BRIDGED RECEPTACLE W/CPA  
POLARIZATION OPTION B



24 CKT BRIDGED RECEPTACLE W/CPA  
POLARIZATION OPTION C

NOTES: VALID UNLESS OTHERWISE SPECIFIED

1. GENERAL:

- a. APPLICATION SPECIFICATION SEE: AS-34791-020
- b. PRODUCT SPECIFICATION SEE: PS-34791-020
- c. PACKAGING SPECIFICATION PER MOLEX DRAWING: SEE CHART
- d. PARTS MUST BE IN COMPLIANCE TO MOLEX CHEMICAL SUBSTANCES FOR PRODUCTS AND PACKAGING SPECIFICATION: QEHS-699000-301
- e. DATA MUST BE SUBMITTED UNDER THE MOLEX PART NUMBER TO IMDS (COMPANY ID#13255)
- f. FLAMMABILITY REQUIREMENT: PER ISO3795 OR GM3191
  - 1. BURN RATE 100 mm/MIN MAXIMUM
  - 2. MATERIAL MUST BE SELF EXTINGUISHING
- g. VISUAL DEFECTS SHALL MEET COSMETIC STANDARD PS-45499-002 (Class B)
- f. FOR TERMINAL USAGE, REFER TO MOLEX SALES DRAWING SD-560023-002

2. DESIGN - MATERIALS:

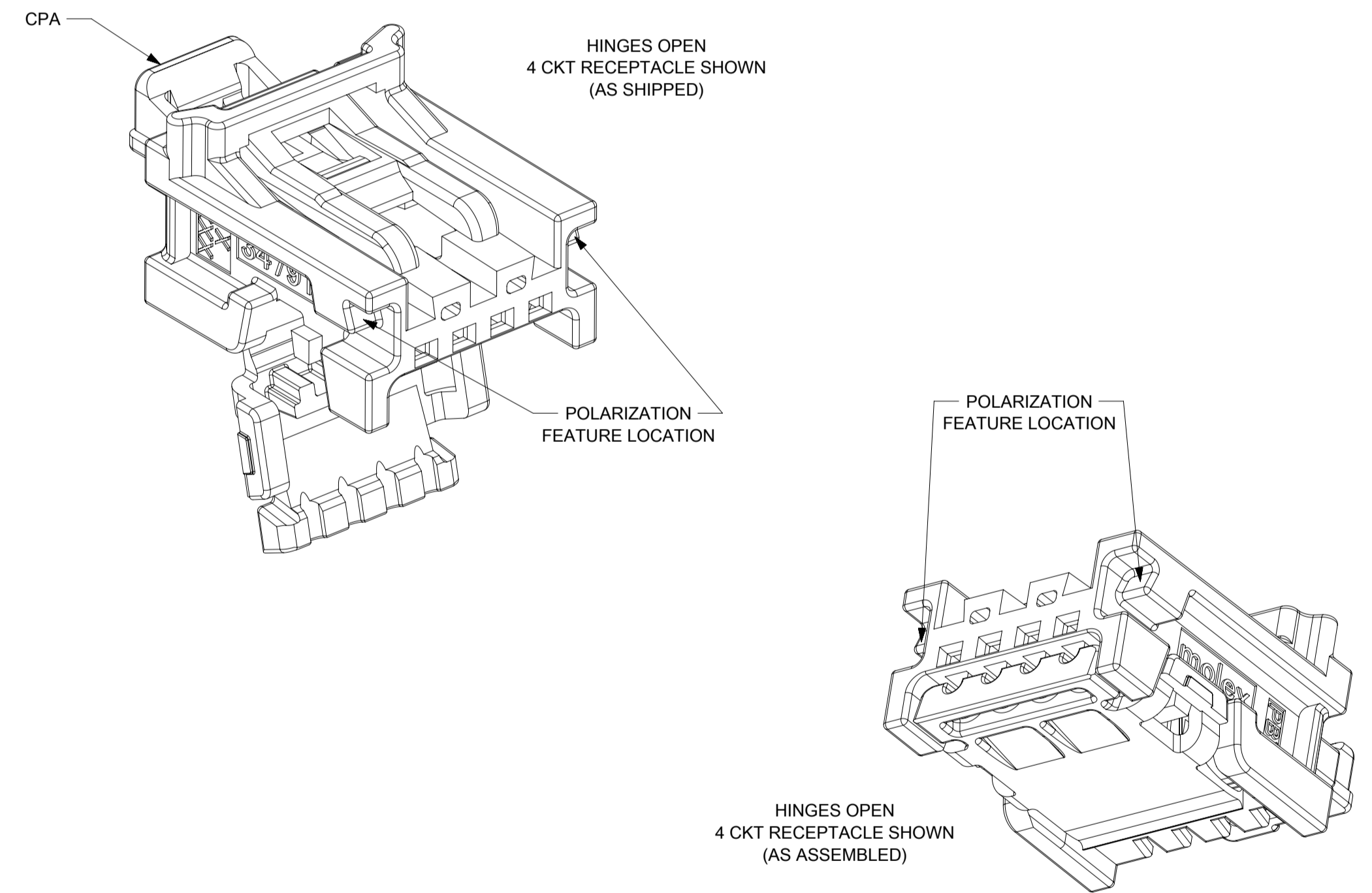
- a. MATERIAL (4,8CKT): UNFILLED PBT
- b. MATERIAL (12,16,20,24CKT): PA410 25% GF

3. DESIGN - GEOMETRY:

- a. THIS IS A 100% CAD GENERATED PART. THE CAD MATHEMATICAL DATA IS THE MASTER FOR THIS PART. FOR DIMENSIONAL OR ANY INFORMATION NOT SHOWN ON THIS DRAWING, ANALYZE THE CAD MODEL.
- b. GEOMETRIC DIMENSIONS AND TOLERANCES PER ASME Y14.5 - 2009
- c. GENERAL TOLERANCES:
  - LINEAR: PER DIN 16901 CODE B FOR PRECISION ENGINEERING (SEE TABLE)
  - ANGULAR: ±3°
- d. EDGES AND UNDIMENSIONED DETAILS PER ISO13715
- e. CORNERS SHOWN AS SHARP TO BE R 0.2 MAX
- f. LETTERING SHALL BE 0.1 MAX RAISED IN 0.15 MAX RECESS PAD AND NOT PROTRUDE THE SURFACE. THIS INCLUDES RECYCLING CODE, PLANT ID, CAVITY ID, VENDOR ID, CIRCUIT ID, AND PART SERIES NUMBER.
- g. DIMENSION APPLIES ONLY TO RECEPTACLES WITH LOCK BRIDGE OPTION.

4. DESIGN - FUNCTIONALITY:

- a. HINGE DOES NOT AFFECT FUNCTION OF THE PART.



CPA

HINGES OPEN  
4 CKT RECEPTACLE SHOWN  
(AS SHIPPED)

POLARIZATION  
FEATURE LOCATION

POLARIZATION  
FEATURE LOCATION

HINGES OPEN  
4 CKT RECEPTACLE SHOWN  
(AS ASSEMBLED)

M5	REMASTERING DRAWING
M2	UPDATED 24 CKT
REV	DESCRIPTION

QUALITY SYMBOLS	THIS DRAWING CONTAINS INFORMATION THAT IS PROPRIETARY TO MOLEX ELECTRONIC TECHNOLOGIES, LLC AND SHOULD NOT BE USED WITHOUT WRITTEN PERMISSION		GENERAL TOLERANCES (UNLESS SPECIFIED)		DIMENSION UNITS	SCALE	<b>molex</b>
	FA = 0	FB = 0	FC = 0	FD = 0	MM ONLY	5:1	
FE = 0	FF = 0	FG = 0	FH = 0	ANGULAR TOL ± 1.0 °	DRWN BY	DATE	MINI 50 SINGLE/DUAL ROW CPA-RECEPTACLE ASSEMBLY SALES DRAWING
FI = 0	FJ = 0	FK = 0	FL = 0	4 PLACES ±	MYOUNG01	2013/01/31	
FM = 0	FN = 0	FO = 0	FP = 0	3 PLACES ±	CHK'D BY	DATE	PRODUCT CUSTOMER DRAWING
FQ = 0	FR = 0	FS = 0	FT = 0	2 PLACES ± 0.1	RBAUMAN	2013/11/13	
FU = 0	FV = 0	FW = 0	FX = 0	1 PLACE ± 0.2	APPR BY	DATE	SERIES
FY = 0	FZ = 0	FA0 = 0	FA1 = 0	0 PLACES ±	DRAWING SIZE	THIRD ANGLE PROJECTION	MATERIAL NUMBER
FA2 = 0	FA3 = 0	FA4 = 0	FA5 = 0	DRAFT WHERE APPLICABLE MUST REMAIN WITHIN DIMENSIONS	A1		CUSTOMER
FA6 = 0	FA7 = 0	FA8 = 0	FA9 = 0				GENERAL MARKET
FA10 = 0	FA11 = 0	FA12 = 0	FA13 = 0				DOCUMENT NUMBER
FA14 = 0	FA15 = 0	FA16 = 0	FA17 = 0				SD-34824-003
FA18 = 0	FA19 = 0	FA20 = 0	FA21 = 0				DOC TYPE
FA22 = 0	FA23 = 0	FA24 = 0	FA25 = 0				PSD
FA26 = 0	FA27 = 0	FA28 = 0	FA29 = 0				DOC PART
FA30 = 0	FA31 = 0	FA32 = 0	FA33 = 0				001
FA34 = 0	FA35 = 0	FA36 = 0	FA37 = 0				SHEET NUMBER
FA38 = 0	FA39 = 0	FA40 = 0	FA41 = 0				1 OF 4

INSPECTION BALLOON NUMBER  
PER DRAWING REVISION: M2

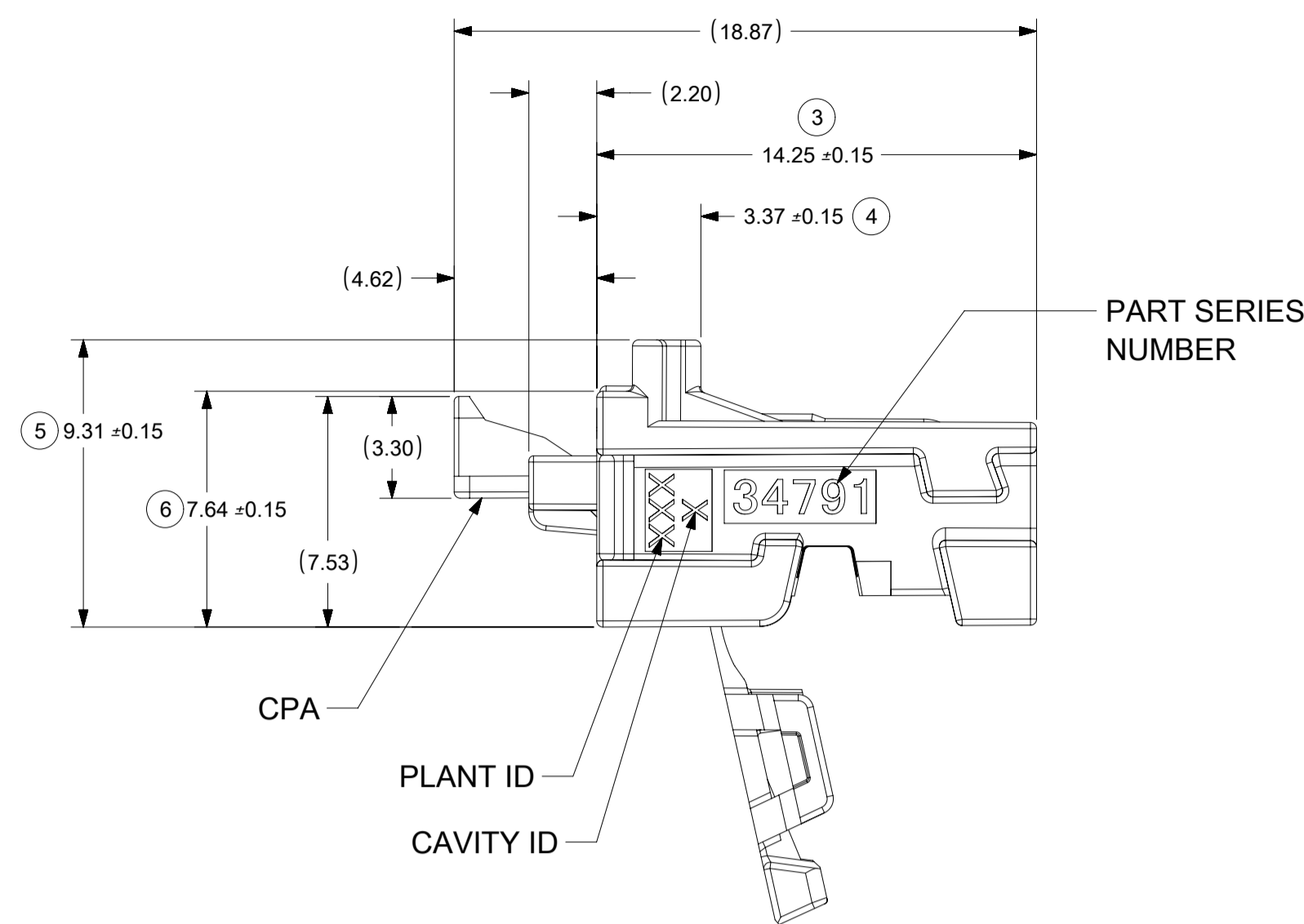
LAST BALLOON USED: 21

ADDED BALLOON NUMBERS:

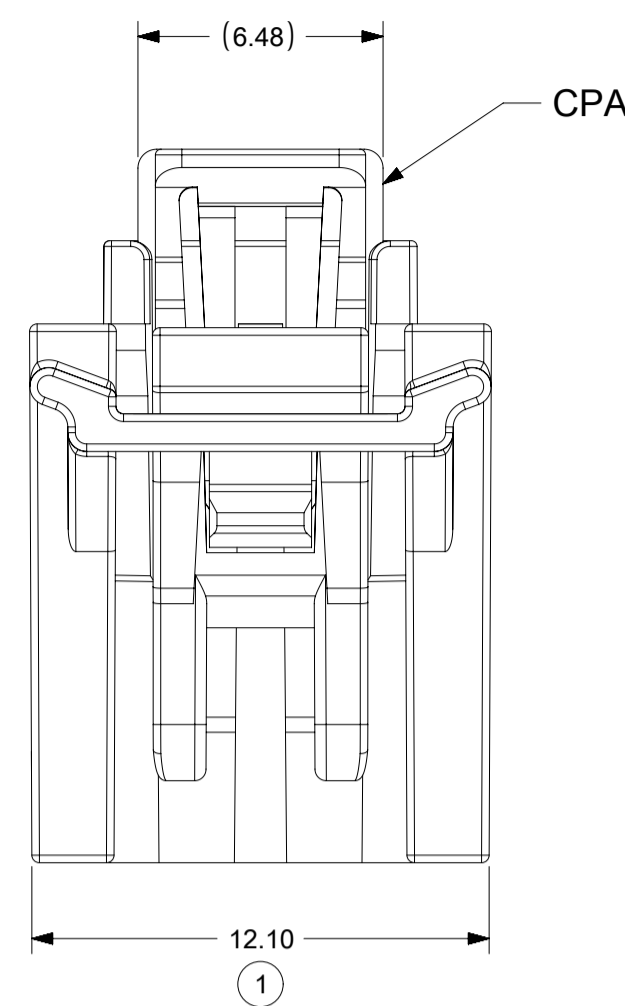
REMOVED BALLOON NUMBERS: 22-33

24CKT POLARIZATIONS SHOWN ARE REPRESENTATIVE FOR 16 AND 20CKT

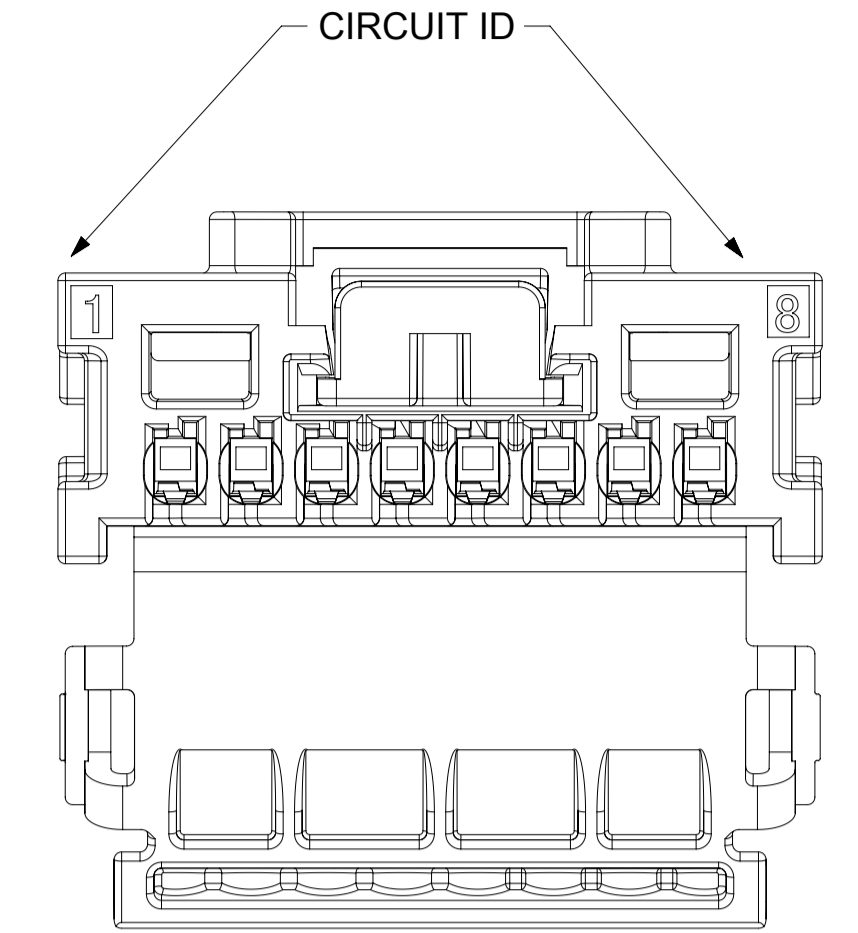
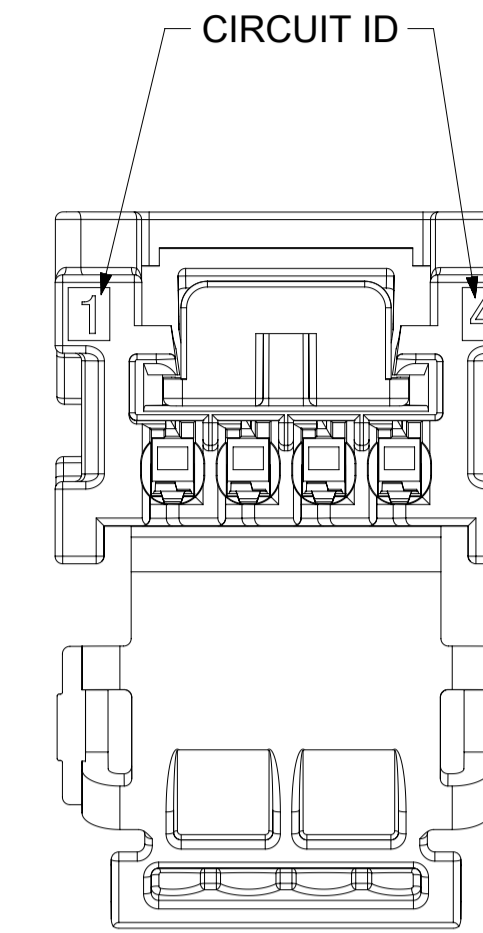
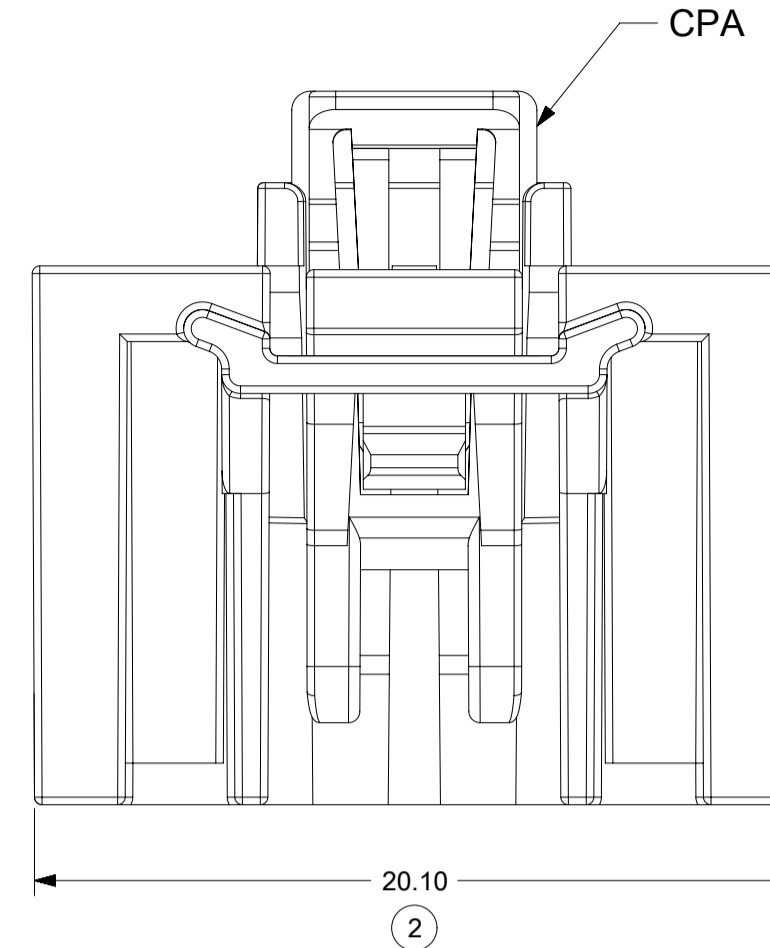
4CKT BRIDGE OPTION W/CPA IN PRE-LOCK



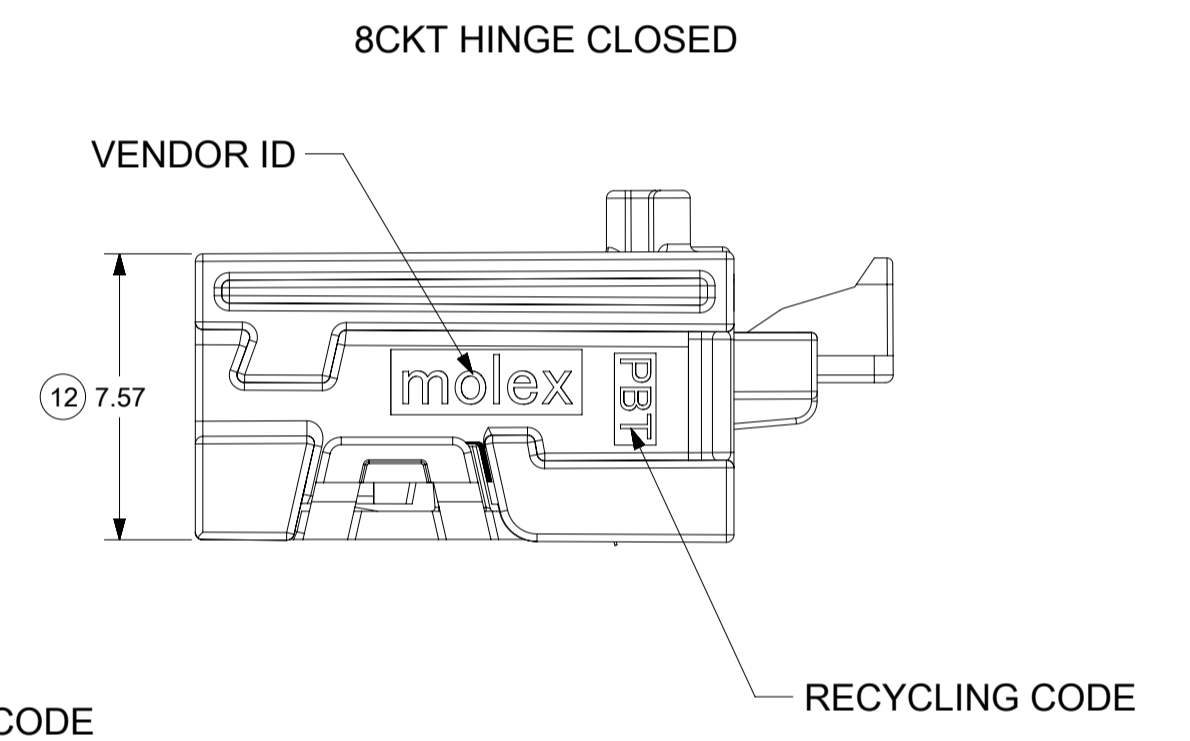
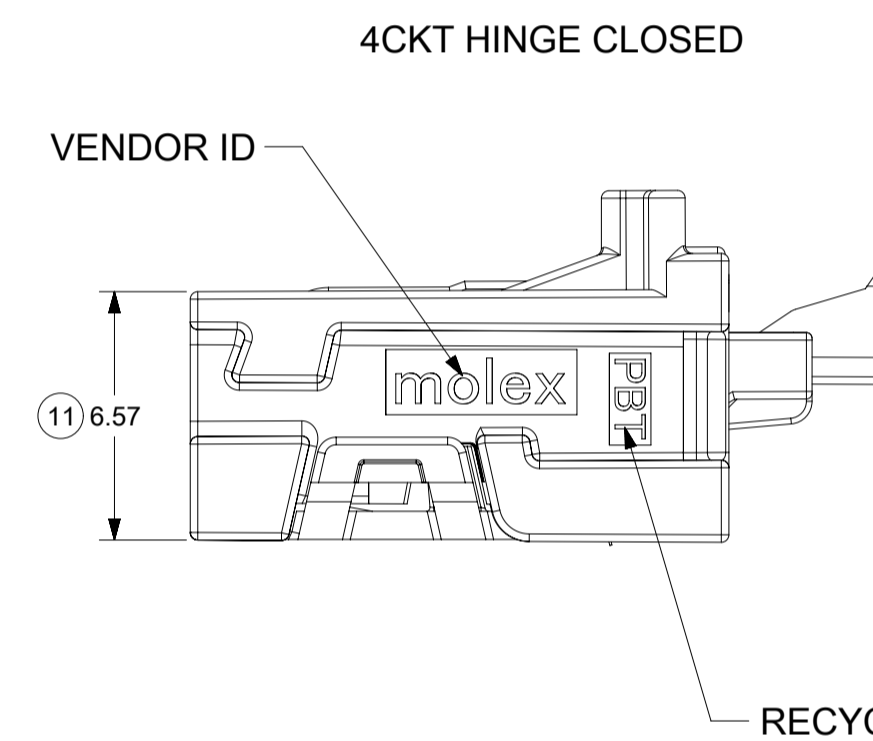
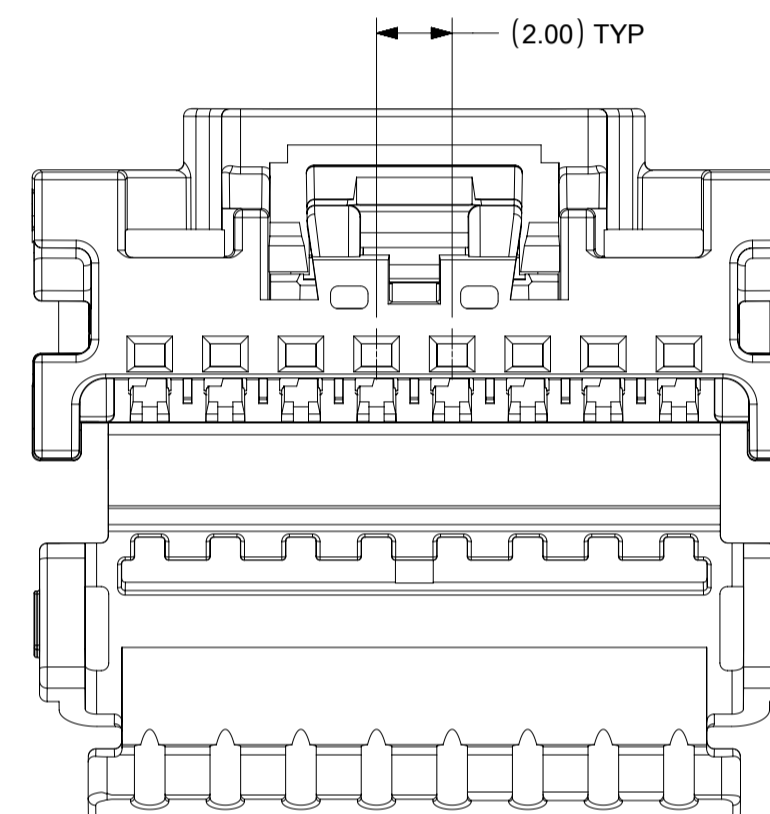
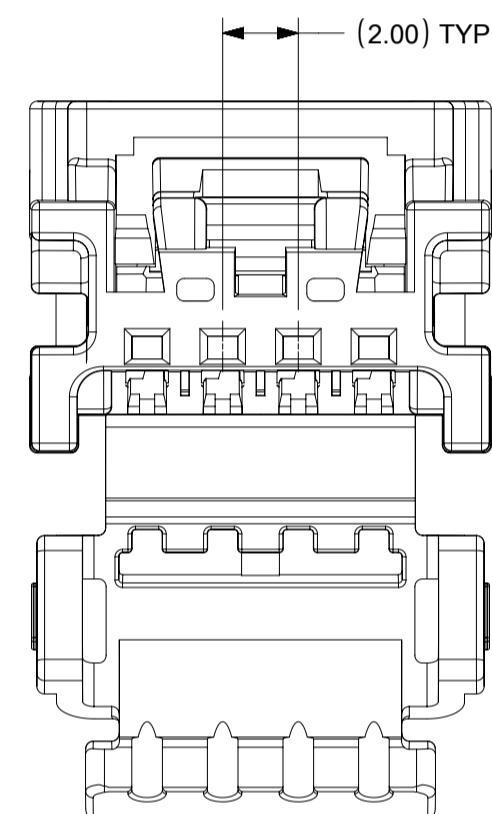
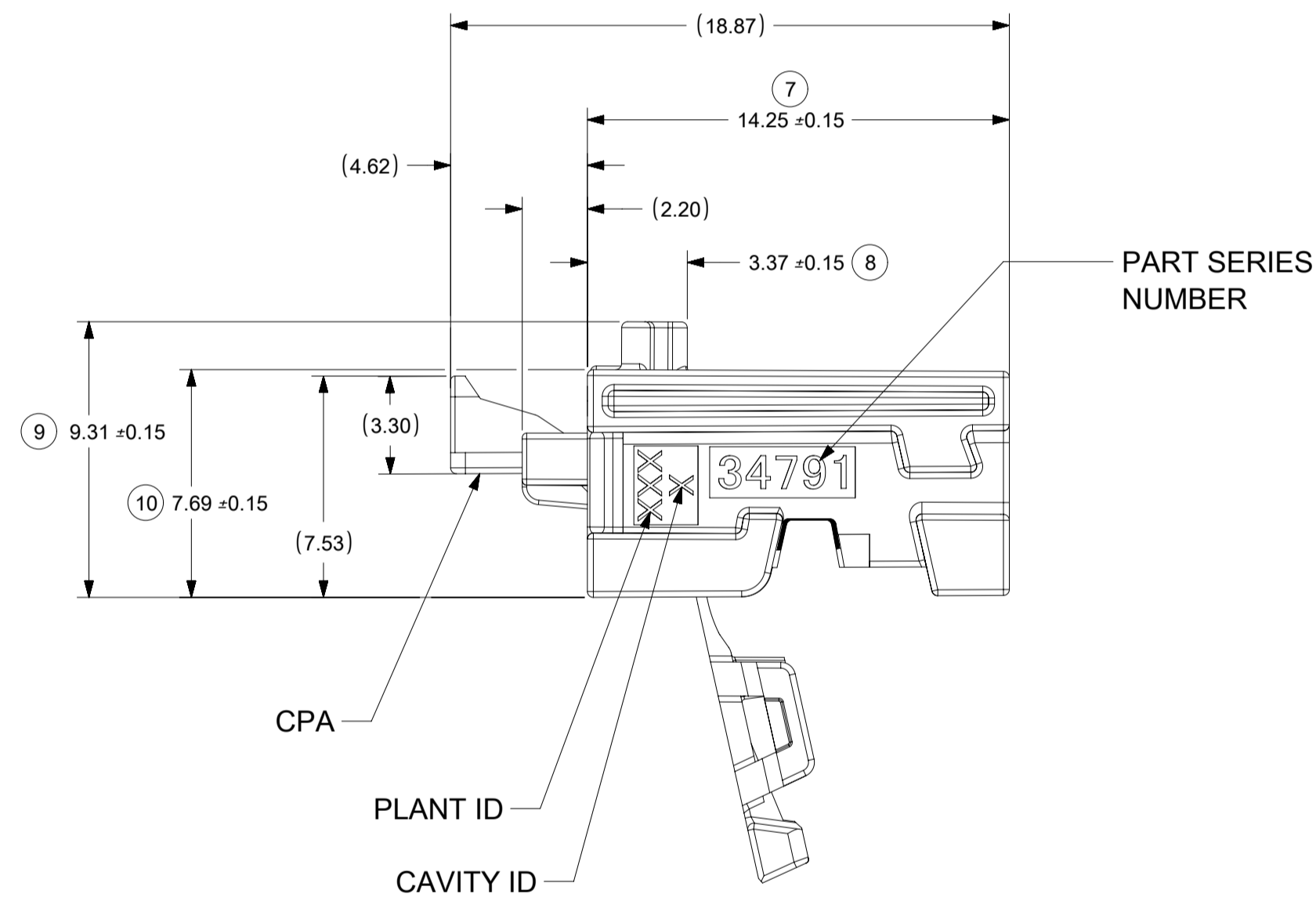
4CKT USCAR COMPATIBLE RECEPTACLE W/CPA



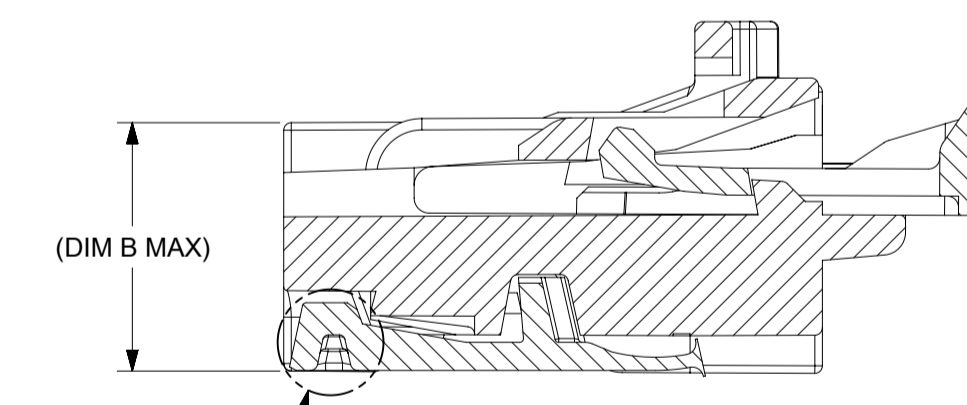
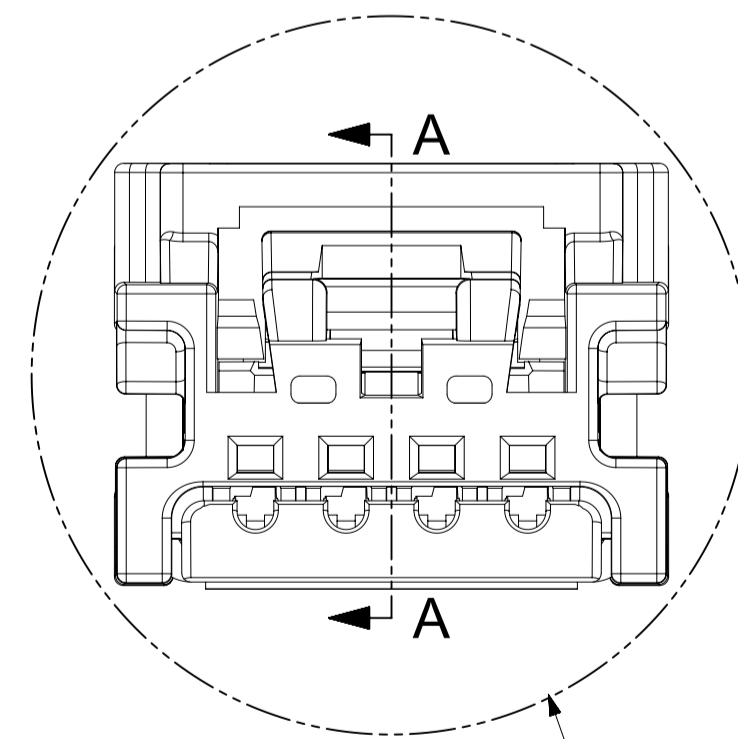
8CKT USCAR COMPATIBLE RECEPTACLE W/CPA



8CKT BRIDGE OPTION W/CPA IN PRE-LOCK



4CKT HINGE CLOSED



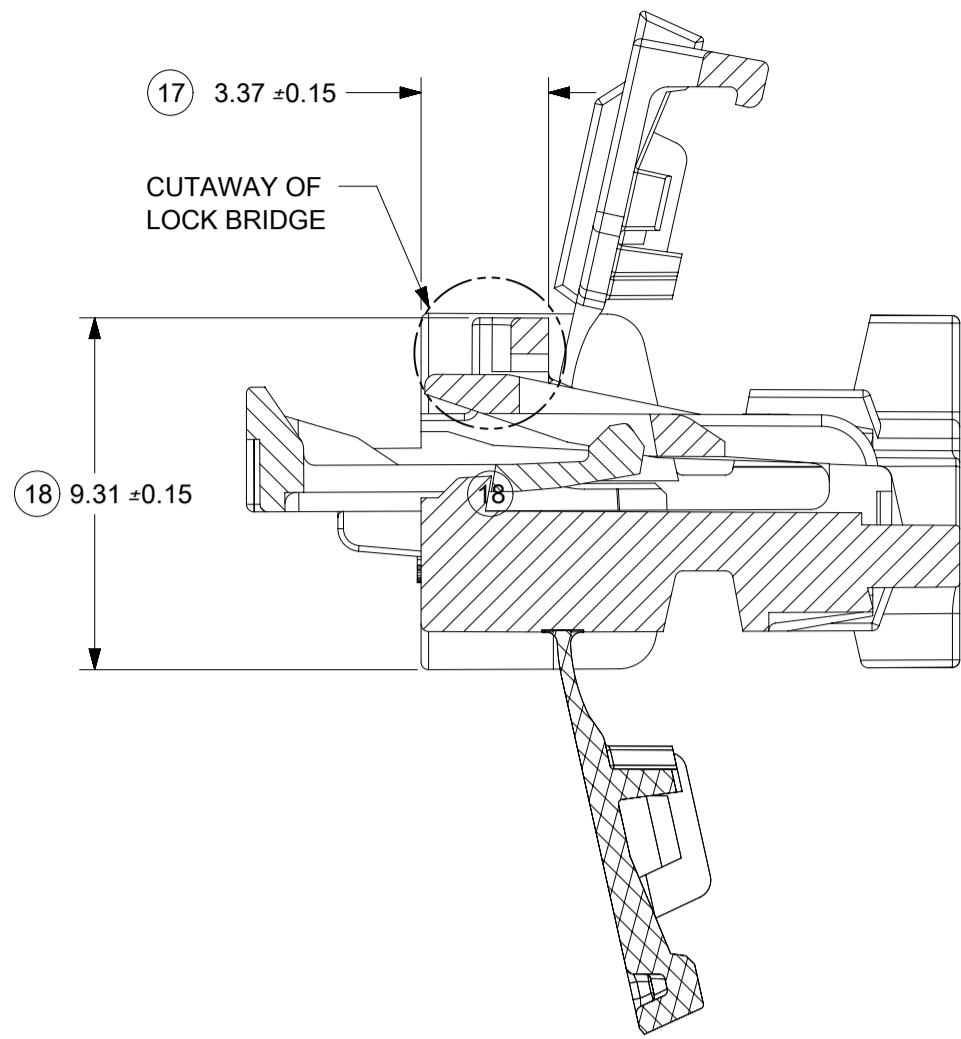
CUTAWAY SHOWING LOWEST POINT ASSEMBLED HINGE SECTION A-A

PASS THRU DIAMETER  
 Ø DIM A  
 1 mm ADDITIONAL CLEARANCE  
 ADDED TO TIGHTEST FIT CIRCLE

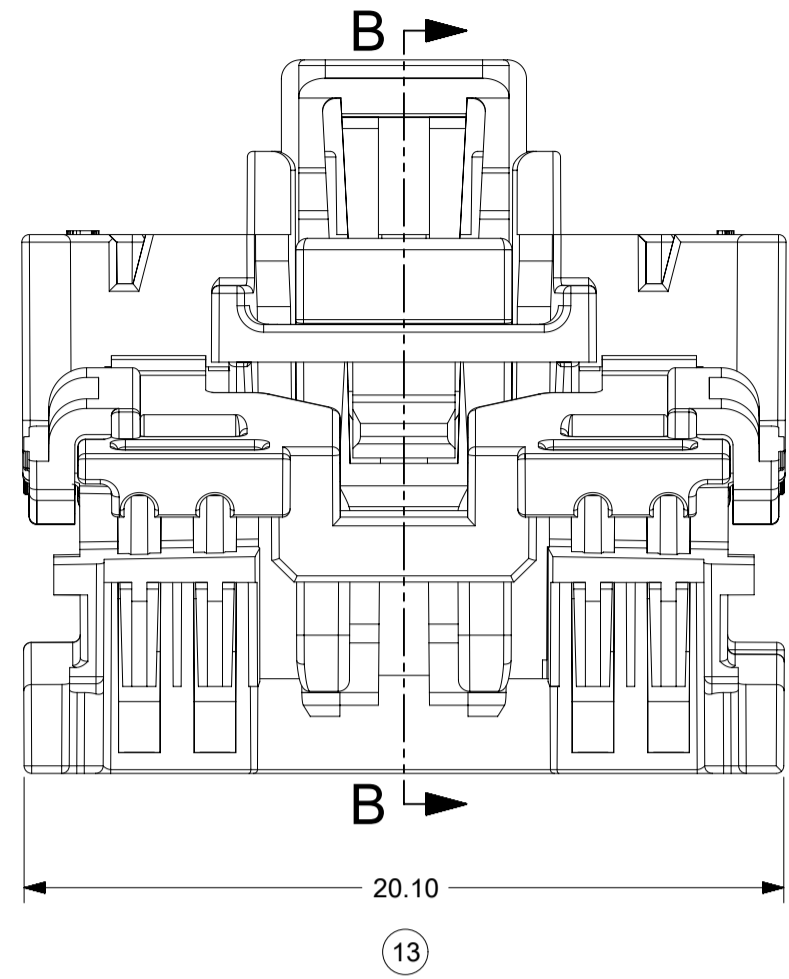
CHARTED DIMENSIONS		
DESCRIPTION	DIMENSION	
	A	B
4 CKT	16.09	6.77
8 CKT	22.52	7.77
12 CKT	23.18	8.47
16 CKT	26.87	8.47
20 CKT	30.65	8.47
24 CKT	34.47	8.47

SYMBOLS	THIS DRAWING CONTAINS INFORMATION THAT IS PROPRIETARY TO MOLEX ELECTRONIC TECHNOLOGIES, LLC AND SHOULD NOT BE USED WITHOUT WRITTEN PERMISSION	CURRENT REV DESC:				
	DIMENSION UNITS: <b>mm</b> SCALE: <b>5:1</b> GENERAL TOLERANCES (UNLESS SPECIFIED): ANGULAR TOL: ± 1.0°	EC NO: 177384 DRWN: KHEWITT 2018/05/15 CHK'D: KHEWITT 2018/05/29 APPR: JDUNAJ 2018/05/29				
0 = 4 PLACES ± 0 = 3 PLACES ± 0 = 2 PLACES ± 0.1 0 = 1 PLACE ± 0.2 0 = 0 PLACES ± DRAFT WHERE APPLICABLE MUST REMAIN WITHIN DIMENSIONS	INITIAL REVISION: DRWN: TMACHUGA 2013/10/15 APPR: RBAUMAN 2013/11/13		PRODUCT CUSTOMER DRAWING DOCUMENT NUMBER: <b>SD-34824-003</b> DOC TYPE: PSD DOC PART: 001 REVISION: M5			
	THIRD ANGLE PROJECTION	DRAWING	SERIES	MATERIAL NUMBER	CUSTOMER	SHEET NUMBER
		A1-SIZE	34824		GENERAL MARKET	2 OF 4

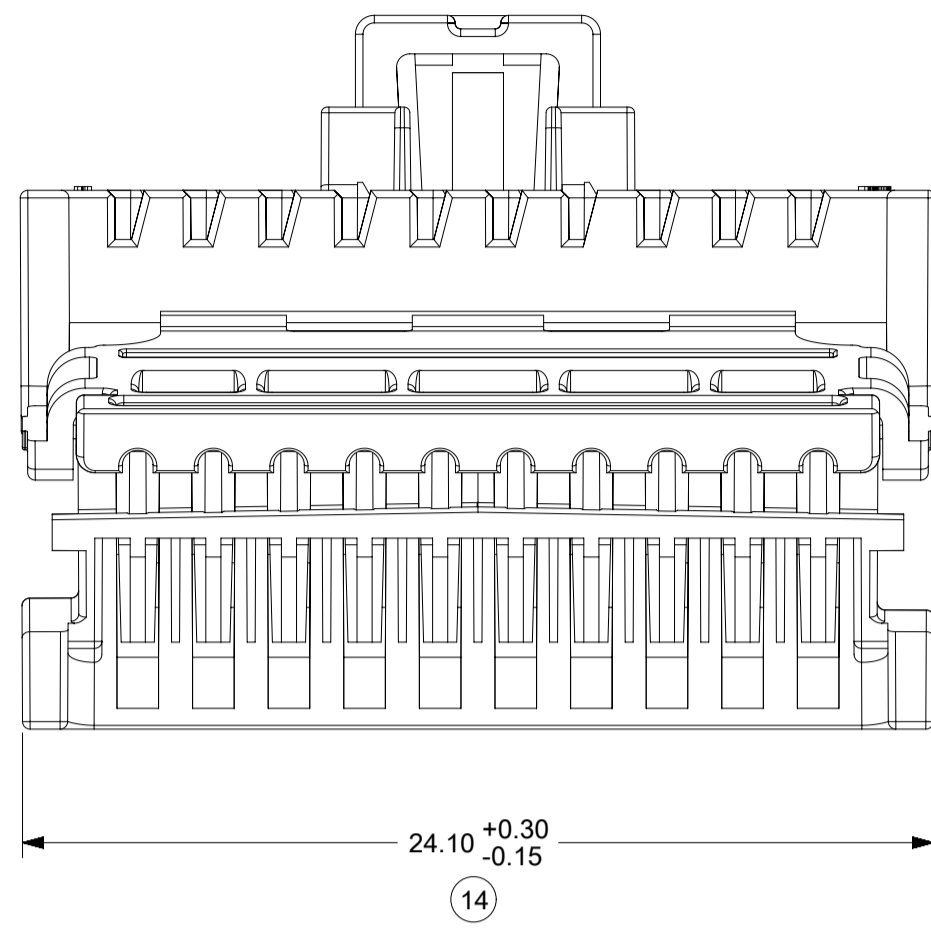
DUAL ROW LOCK BRIDGE OPTION



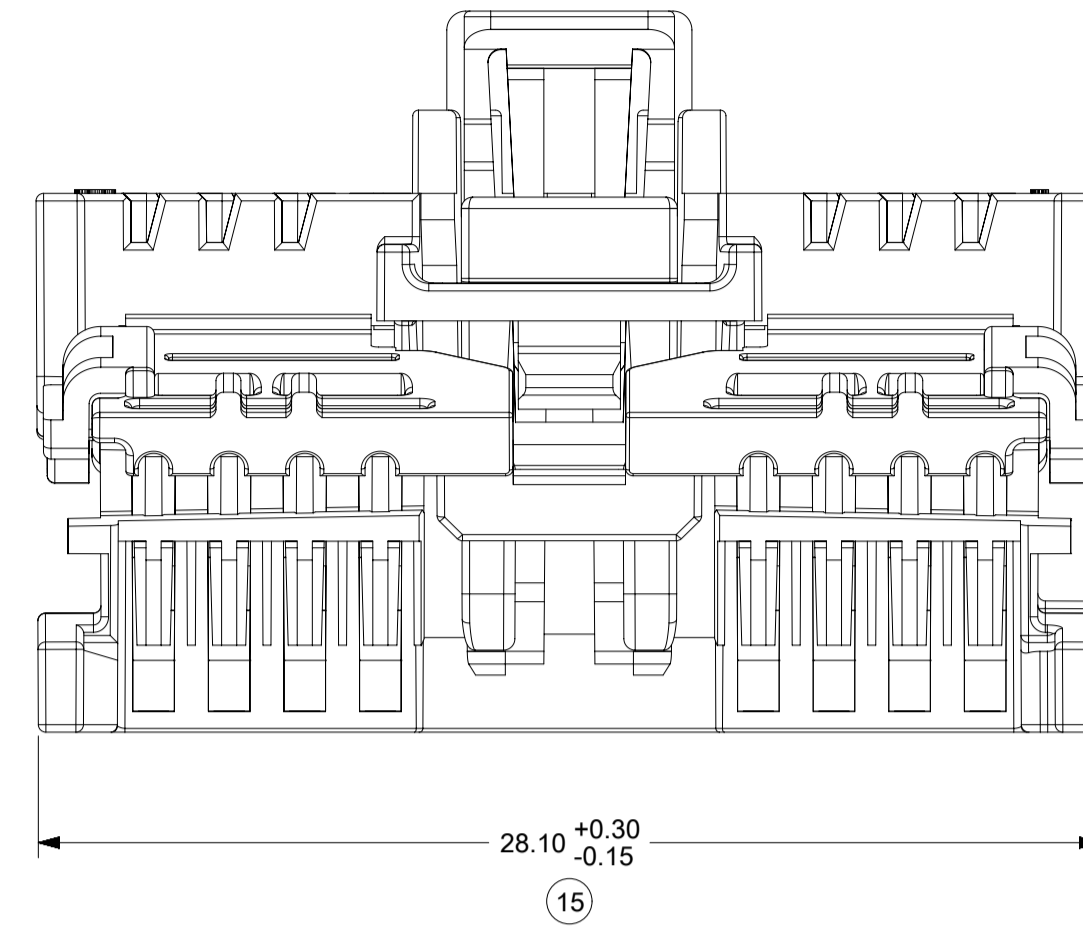
12 CKT USCAR COMPATIBLE RECEPTACLE W/CPA



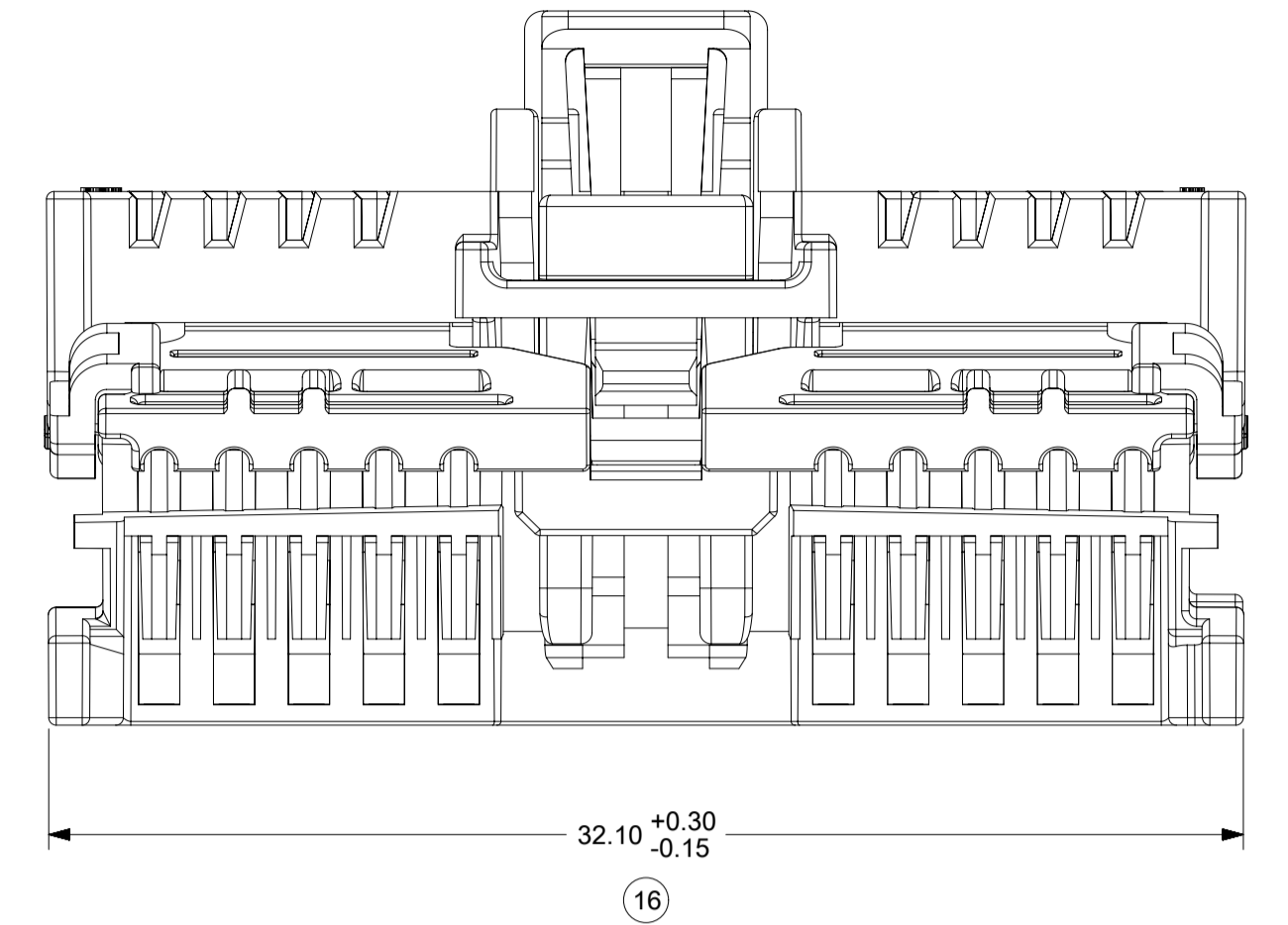
16 CKT USCAR COMPATIBLE RECEPTACLE W/CPA



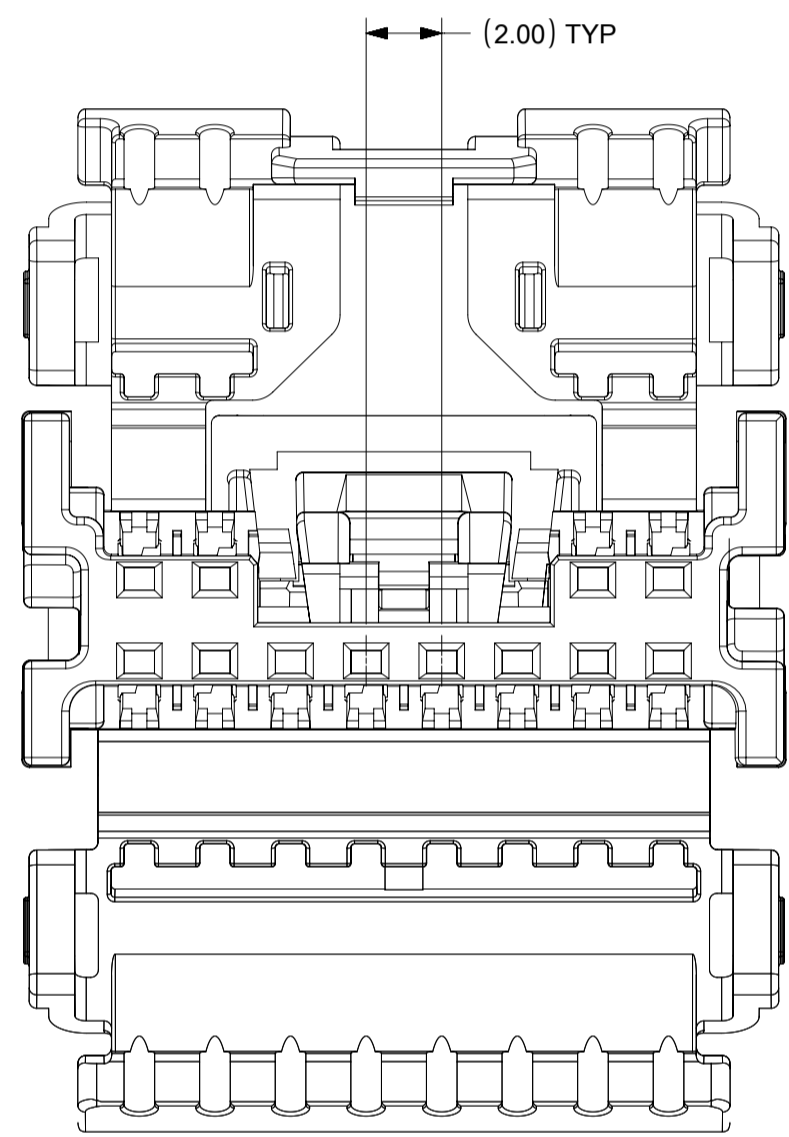
20 CKT USCAR COMPATIBLE RECEPTACLE W/CPA



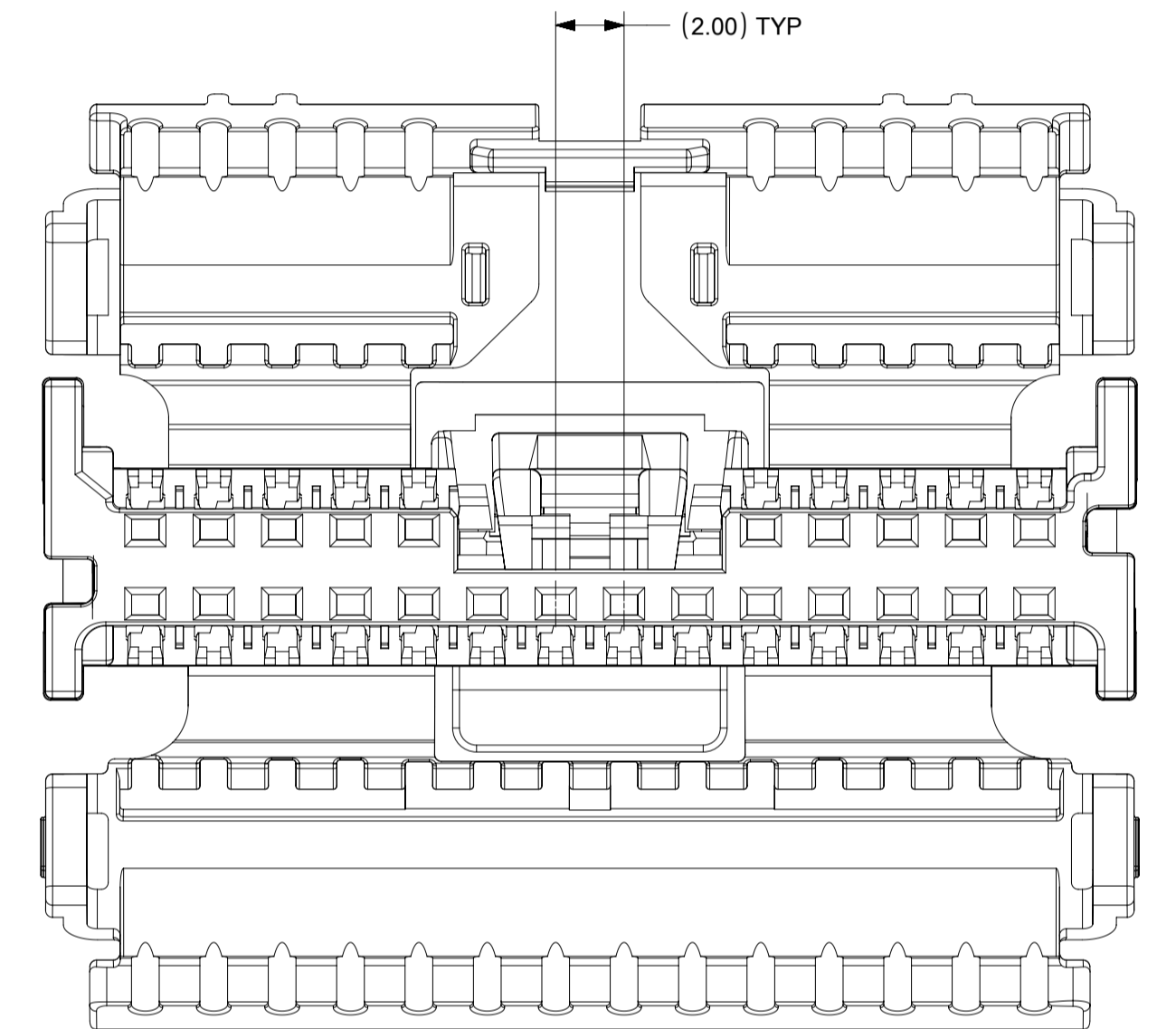
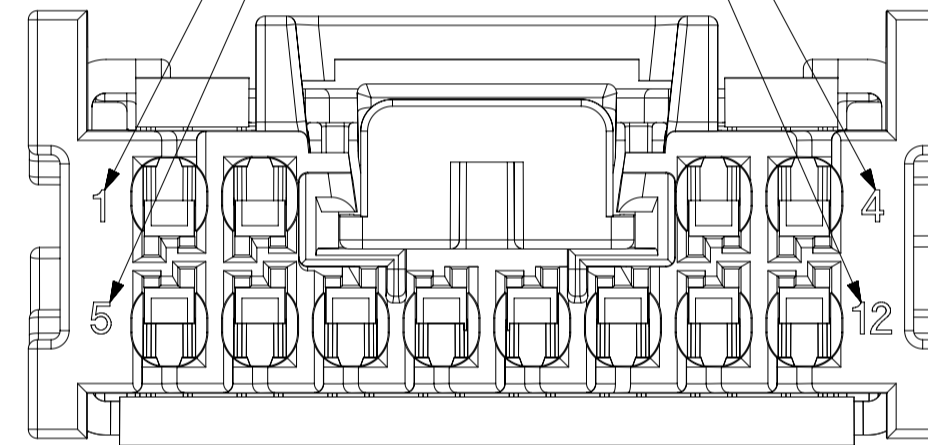
24 CKT USCAR COMPATIBLE RECEPTACLE W/CPA



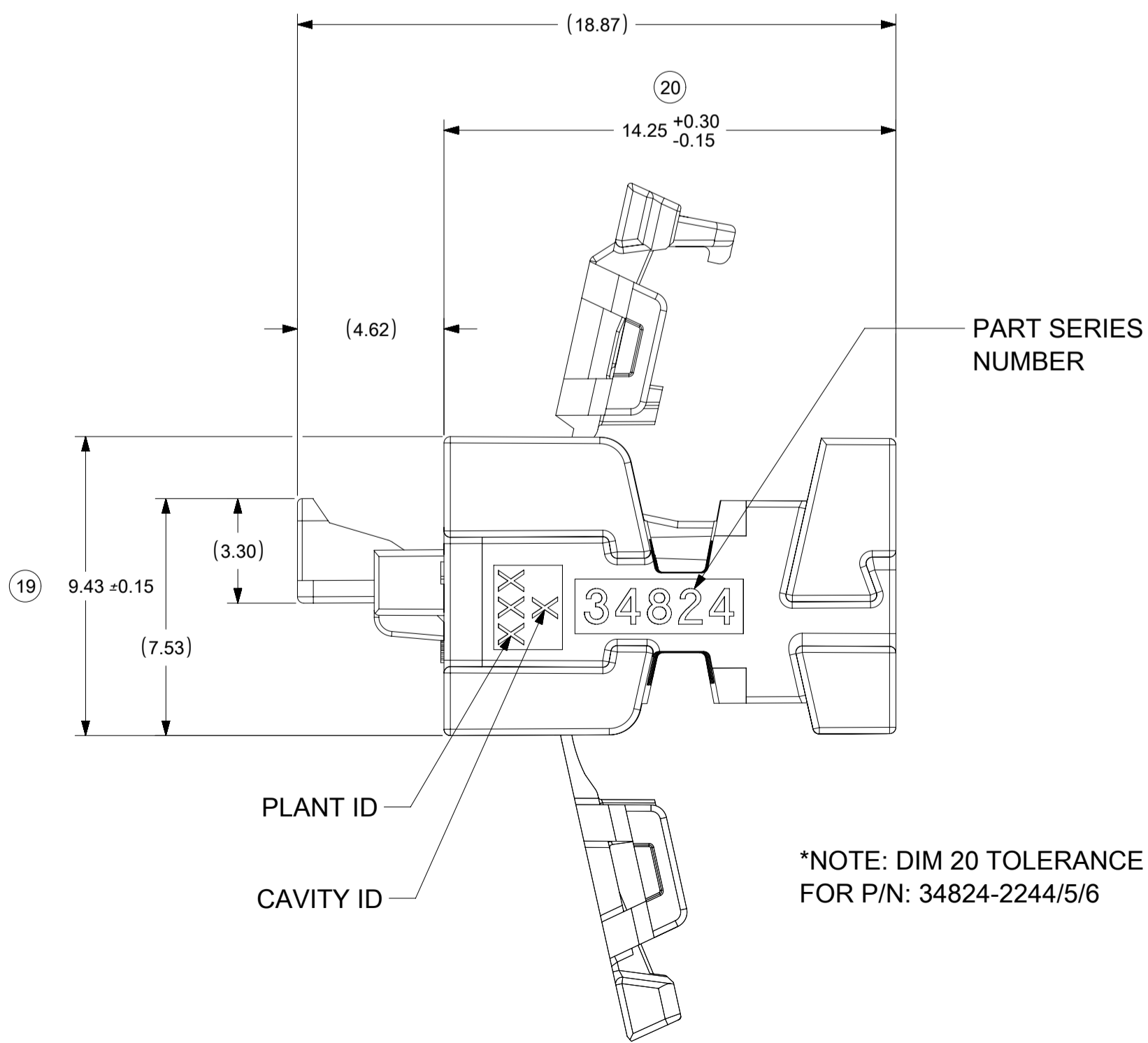
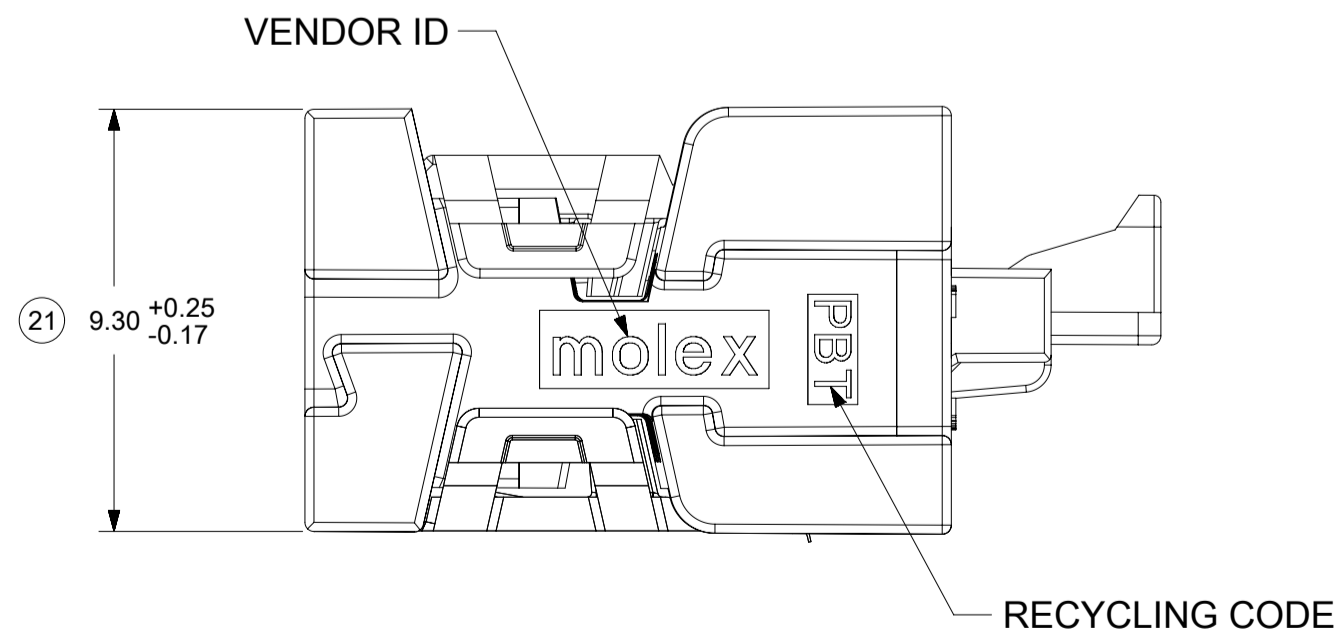
SECTION B-B



CIRCUIT ID



HINGES CLOSED



\*NOTE: DIM 20 TOLERANCE IS +0.30/-0.15 FOR P/N: 34824-2244/5/6

SYMBOLS	THIS DRAWING CONTAINS INFORMATION THAT IS PROPRIETARY TO MOLEX ELECTRONIC TECHNOLOGIES, LLC AND SHOULD NOT BE USED WITHOUT WRITTEN PERMISSION		CURRENT REV DESC:			
	DIMENSION UNITS	SCALE				
= 0	mm	5:1	DRWN: KHEWITT	2018/05/15	MINI 50 SINGLE/DUAL ROW CPA-RECEPTACLE ASSEMBLY SALES DRAWING	
= 0	GENERAL TOLERANCES (UNLESS SPECIFIED)		CHK'D: KHEWITT	2018/05/29	PRODUCT CUSTOMER DRAWING	
= 0	ANGULAR TOL ± 1.0°		APPR: JDUNAJ	2018/05/29	DOCUMENT NUMBER	
= 0	4 PLACES	±	INITIAL REVISION:		SD-34824-003	
= 0	3 PLACES	±	DRWN: TMACHUGA	2013/10/15	DOC TYPE	DOC PART
= 0	2 PLACES	± 0.1	APPR: RBAUMAN	2013/11/13	PSD	001
= 0	1 PLACE	± 0.2			REVISION	
= 0	0 PLACES	±			M5	
= 0	DRAFT WHERE APPLICABLE MUST REMAIN WITHIN DIMENSIONS		THIRD ANGLE PROJECTION	DRAWING	MATERIAL NUMBER	CUSTOMER
= 0			A1-SIZE	SERIES	GENERAL MARKET	SHEET NUMBER
				34824		3 OF 4

**SINGLE ROW ASSEMBLY  
(RECEPTACLE WITH CPA)**

MOLEX MATERIAL NUMBER BULK PACKAGING PK-31301-538	GENERAL MOTORS PART NUMBER	CONFIGURATION	MATERIAL TYPE	CIRCUIT	POL	COLOR	MATING COMPONENT					
							SURFACE MOUNT TECHNOLOGY (SMT) HEADER		VERTICAL THRU HOLE HEADER		RIGHT ANGLE THRU HOLE HEADER	
							TAPE AND REEL PACKAGING PK-31301-786	TUBE PACKAGING PK-31301-688	TAPE AND REEL PACKAGING PK-31301-440	TUBE PACKAGING PK-31301-688	TAPE AND REEL PACKAGING PK-31301-440	TUBE PACKAGING PK-31301-688
34791-5140	13507113	USCAR	PBT	4	A	BLACK	34912-8040	34912-9040	34792-0040	34792-9040	34793-0040	34793-9040
34791-5141	13507115	USCAR		4	B	LIGHT GRAY	34912-8041	34912-9041	34792-0041	34792-9041	34793-0041	34793-9041
34791-5142	13507116	USCAR		4	C	DARK GRAY	34912-8042	34912-9042	34792-0042	34792-9042	34793-0042	34793-9042
34791-5143	13507117	USCAR		4	D	GREEN	34912-8043	34912-9043	34792-0043	34792-9043	34793-0043	34793-9043
34791-5180	13507118	USCAR		8	A	BLACK	34912-8080	34912-9080	34792-0080	34792-9080	34793-0080	34793-9080
34791-5181	13507119	USCAR		8	B	LIGHT GRAY	34912-8081	34912-9081	34792-0081	34792-9081	34793-0081	34793-9081
34791-5182	13507120	USCAR		8	C	DARK GRAY	34912-8082	34912-9082	34792-0082	34792-9082	34793-0082	34793-9082

**DUAL ROW ASSEMBLY  
(RECEPTACLE WITH CPA)**

MOLEX MATERIAL NUMBER BULK PACKAGING PK-31301-538	GENERAL MOTORS PART NUMBER	CONFIGURATION	MATERIAL TYPE	CIRCUIT	POL	COLOR	MATING COMPONENT						
							SURFACE MOUNT TECHNOLOGY (SMT) HEADER		VERTICAL THRU HOLE HEADER		RIGHT ANGLE THRU HOLE HEADER		
							TAPE AND REEL PACKAGING PK-31301-786	TUBE PACKAGING PK-31301-688	TAPE AND REEL PACKAGING PK-31301-440	TUBE PACKAGING PK-31301-688	TAPE AND REEL PACKAGING PK-31301-440	TUBE PACKAGING PK-31301-688	
34824-5124	13507121	USCAR	ECOPAXX	12	A	BLACK	34897-8120	34897-9120	34825-0124	34825-9124	34826-0124	34826-9124	
34824-5125	13507122	USCAR		12	B	LIGHT GRAY	34897-8121	34897-9121	34825-0125	34825-9125	34826-0125	34826-9125	
34824-5126	13507114	USCAR		12	C	DARK GRAY	34897-8122	34897-9122	34825-0126	34825-9126	34826-0126	34826-9126	
34824-2164	N/A	USCAR		16	A	BLACK	34897-8160	34897-9160	34825-0160	34825-9160	34826-0160	34826-9160	
34824-2165	N/A	USCAR		16	B	LIGHT GRAY	34897-8161	34897-9161	34825-0161	34825-9161	34826-0161	34826-9161	
34824-2166	N/A	USCAR		16	C	DARK GRAY	34897-8162	34897-9162	34825-0162	34825-9162	34826-0162	34826-9162	
34824-2204	13596105	USCAR		20	A	BLACK	34897-8200	34897-9200	34825-0200	34825-9200	34826-0200	34826-9200	
34824-2205	13596106	USCAR		20	B	LIGHT GRAY	34897-8201	34897-9201	34825-0201	34825-9201	34826-0201	34826-9201	
34824-2206	13596107	USCAR		20	C	DARK GRAY	34897-8202	34897-9202	34825-0202	34825-9202	34826-0202	34826-9202	
34824-2244	N/A	USCAR		24	A	BLACK	34897-8240	34897-9240	34825-0240	34825-9240	34826-0240	34826-9240	
34824-2245	N/A	USCAR		24	B	LIGHT GRAY	34897-8241	34897-9241	34825-0241	34825-9241	34826-0241	34826-9241	
34824-2246	N/A	USCAR		24	C	DARK GRAY	34897-8242	34897-9242	34825-0242	34825-9242	34826-0242	34826-9242	
34824-2160	N/A	USCAR		PBT	16	A	BLACK	34897-8160	34897-9160	34825-0160	34825-9160	34826-0160	34826-9160
34824-2161	N/A	USCAR			16	B	LIGHT GRAY	34897-8161	34897-9161	34825-0161	34825-9161	34826-0161	34826-9161
34824-2162	N/A	USCAR			16	C	DARK GRAY	34897-8162	34897-9162	34825-0162	34825-9162	34826-0162	34826-9162
34824-2200	13596105	USCAR			20	A	BLACK	34897-8200	34897-9200	34825-0200	34825-9200	34826-0200	34826-9200
34824-2201	13596106	USCAR			20	B	LIGHT GRAY	34897-8201	34897-9201	34825-0201	34825-9201	34826-0201	34826-9201
34824-2202	13596107	USCAR			20	C	DARK GRAY	34897-8202	34897-9202	34825-0202	34825-9202	34826-0202	34826-9202
34824-2240	N/A	USCAR			24	A	BLACK	34897-8240	34897-9240	34825-0240	34825-9240	34826-0240	34826-9240
34824-2241	N/A	USCAR			24	B	LIGHT GRAY	34897-8241	34897-9241	34825-0241	34825-9241	34826-0241	34826-9241
34824-2242	N/A	USCAR			24	C	DARK GRAY	34897-8242	34897-9242	34825-0242	34825-9242	34826-0242	34826-9242

\*NOTE: MOLEX CONFIGURATION CONSISTS OF AN EXPANSION OF THE 12CKT USCAR-COMPATIBLE CONFIGURATION TO ALLOW FOR 16, 20, AND 24 CIRCUITS

**MINI50 CPA (APPLIED TO SINGLE AND DUAL ROW BRIDGED RECEPTACLE CONNECTORS)**

MATERIAL NUMBER	COLOR	MATING COMPONENT
34824-7000	NATURAL	SEE CHARTS ABOVE

**CTX50 UNSEALED RECEPTACLE TERMINALS**

PART NUMBER		MATERIAL	WIRE GAGE (mm <sup>2</sup> )	GRIP
D-WIND (LEFT PAYOFF)	B-WIND (RIGHT PAYOFF)			
560023-0448	560023-0450	COPPER ALLOY	0.35	LARGE
560023-0421	560023-0423	COPPER ALLOY	0.22	MEDIUM
560023-0422	560023-0424	COPPER ALLOY	0.13	SMALL

<b>SYMBOLS</b> = 0 = 0 = 0 = 0 = 0 = 0 = 0	THIS DRAWING CONTAINS INFORMATION THAT IS PROPRIETARY TO MOLEX ELECTRONIC TECHNOLOGIES, LLC AND SHOULD NOT BE USED WITHOUT WRITTEN PERMISSION DIMENSION UNITS: <b>mm</b> SCALE: <b>1:1</b>	CURRENT REV DESC: EC NO: 177384 DRWN: KHEWITT 2018/05/15 CHK'D: KHEWITT 2018/05/29 APPR: JDUNAJ 2018/05/29	 MINI 50 SINGLE/DUAL ROW CPA-RECEPTACLE ASSEMBLY SALES DRAWING	
	GENERAL TOLERANCES (UNLESS SPECIFIED) ANGULAR TOL ± 1.0° 4 PLACES ± 3 PLACES ± 2 PLACES ± 0.1 1 PLACE ± 0.2 0 PLACES ±	INITIAL REVISION: DRWN: TMACHUGA 2013/10/15 APPR: RBAUMAN 2013/11/13		PRODUCT CUSTOMER DRAWING DOCUMENT NUMBER: <b>SD-34824-003</b> DOC TYPE: PSD DOC PART: 001 REVISION: M5
	DRAFT WHERE APPLICABLE MUST REMAIN WITHIN DIMENSIONS	THIRD ANGLE PROJECTION	DRAWING: <b>A1-SIZE</b> SERIES: <b>34824</b>	MATERIAL NUMBER: _____ CUSTOMER: <b>GENERAL MARKET</b> SHEET NUMBER: <b>4 OF 4</b>