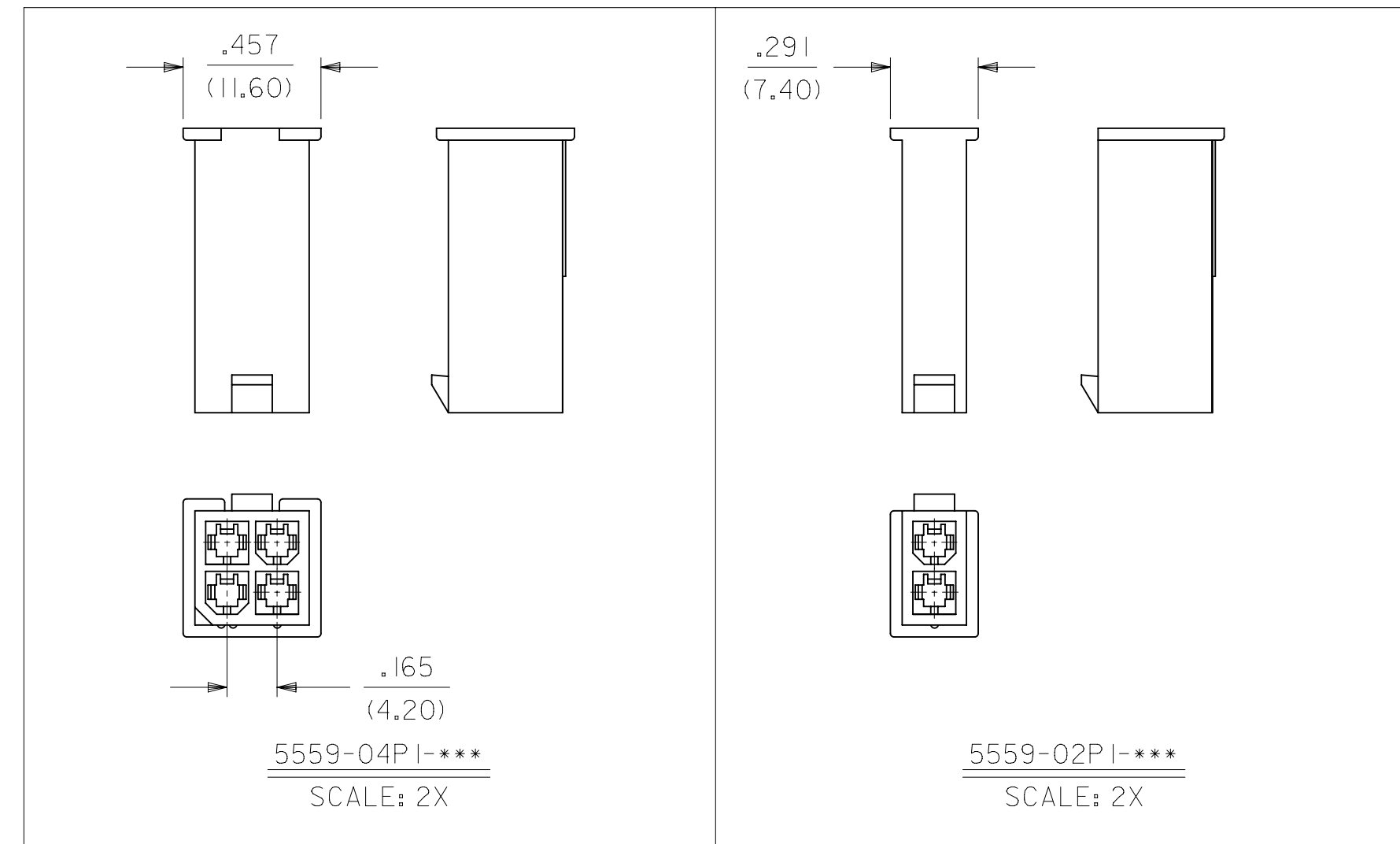


CKT. SIZE	DIM. A	DIM. B
6	.331 (8.40)	.543 (13.80)
8	.496 (12.60)	.709 (18.00)
10	.661 (16.80)	.874 (22.20)
12	.827 (21.00)	1.039 (26.40)
14	.992 (25.20)	1.205 (30.60)
16	1.157 (29.40)	1.370 (34.80)
18	1.323 (33.60)	1.535 (39.00)
20	1.488 (37.80)	1.701 (43.20)
22	1.654 (42.00)	1.866 (47.40)
24	1.819 (46.20)	2.031 (51.60)



**NOTES:**

- MATERIAL: BLANK=NYLON 6/6, UL 94V-2, COLOR: NATURAL  
BL=NYLON 6/6, UL 94V-2, COLOR: BLACK  
210=NYLON 6/6, UL 94V-0, COLOR: NATURAL  
400=NYLON 6/6, UL 94V-0, COLOR: BLACK
- FINISH: N/A
- PRODUCT SPECIFICATION: PS-5556-001
- PACKAGING SPECIFICATION: PK-5559-002
- THIS PART MATES WITH RECEPTACLE #5557
- THIS PART IS FOR USE WITH MOLEX MALE TERMINAL #5558-\*
- PART IS NOT DESIGNED FOR CURRENT SHARING
- CONNECTORS ARE NOT TO BE MATED OR UNMATED WHILE CIRCUITS ARE LIVE
- WIRES ARE TO BE DRESSED IN SUCH A MANNER TO ALLOW THE TERMINALS TO FLOAT FREELY IN THE POCKET
- PART CONFORMS TO CLASS "B" REQUIREMENTS OF COSMETIC SPECIFICATION PS-45499-002 WITH THE EXCEPTION OF DISCOLORATION. FLASH AND SINK MEET CLASS "C" REQUIREMENTS.

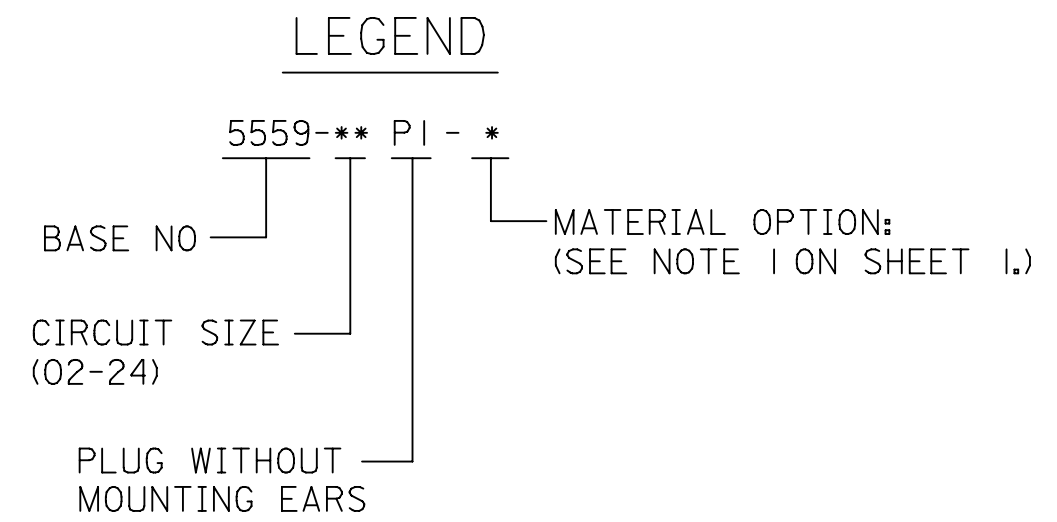
THIS DRAWING CONTAINS INFORMATION THAT IS PROPRIETARY TO MOLEX ELECTRONIC TECHNOLOGIES, LLC AND SHOULD NOT BE USED WITHOUT WRITTEN PERMISSION									
SYMBOLS		DIMENSION UNITS		SCALE		CURRENT REV DESC: MIGRATE TO ECTR			
∇ = 0	IN/MM	4:1				<b>molex</b> MINI FIT JR SERIES PLUG W/O MTG. EARS			
∇ = 0	GENERAL TOLERANCES (UNLESS SPECIFIED)								
∇ = 0		MM	INCH			EC NO: 172489 DRWN: AZAHIROVIC 2018/01/24 CHK'D: JBELL 2018/02/20 APPR: FSMITH 2018/02/22			
S = 0	4 PLACES	±	±			INITIAL REVISION: DRWN: RJF 1989/09/22 APPR: ROS 1989/09/22			
∇ = 0	3 PLACES	±	± 0.015			DOCUMENT NUMBER: <b>55590001-SD</b> DOC TYPE: PSD DOC PART: 000 REVISION: <b>A</b>			
∇ = 0	2 PLACES	± 0.38	±			PRODUCT CUSTOMER DRAWING MATERIAL NUMBER: SEE CHART CUSTOMER: GENERAL MARKET SHEET NUMBER: 1 OF 2			
∇ = 0	1 PLACE	±	±			THIRD ANGLE PROJECTION DRAWING: C-SIZE SERIES: 5559			
∇ = 0	0 PLACES	±	±						
∇ = 0	ANGULAR TOL ± 0.5°								
∇ = 0	DRAFT WHERE APPLICABLE MUST REMAIN WITHIN DIMENSIONS								

PART NUMBER	ENG. NUMBER	CIRCUIT SIZE	MATERIAL
39-01-3023	5559-02P I	2	94V-2
39-01-3043	5559-04P I	4	94V-2
39-01-3063	5559-06P I	6	94V-2
39-01-3083	5559-08P I	8	94V-2
39-01-3103	5559-10P I	10	94V-2
39-01-3123	5559-12P I	12	94V-2
39-01-3143	5559-14P I	14	94V-2
39-01-3163	5559-16P I	16	94V-2
39-01-3183	5559-18P I	18	94V-2
39-01-3203	5559-20P I	20	94V-2
39-01-3223	5559-22P I	22	94V-2
39-01-3243	5559-24P I	24	94V-2

PART NUMBER	ENG. NUMBER	CIRCUIT SIZE	MATERIAL
39-01-3029	5559-02P I-2 I O	2	94V-0
39-01-3049	5559-04P I-2 I O	4	94V-0
39-01-3069	5559-06P I-2 I O	6	94V-0
39-01-3089	5559-08P I-2 I O	8	94V-0
39-01-3109	5559-10P I-2 I O	10	94V-0
39-01-3129	5559-12P I-2 I O	12	94V-0
39-01-3149	5559-14P I-2 I O	14	94V-0
39-01-3169	5559-16P I-2 I O	16	94V-0
39-01-3189	5559-18P I-2 I O	18	94V-0
39-01-3209	5559-20P I-2 I O	20	94V-0
39-01-3229	5559-22P I-2 I O	22	94V-0
39-01-3249	5559-24P I-2 I O	24	94V-0

PART NUMBER	ENG. NUMBER	CIRCUIT SIZE	MATERIAL
46999-0275	5559-02P I-400	2	94V-0 BLACK
46999-0276	5559-04P I-400	4	94V-0 BLACK
46999-0277	5559-06P I-400	6	94V-0 BLACK
46999-0278	5559-08P I-400	8	94V-0 BLACK
46999-0279	5559-10P I-400	10	94V-0 BLACK
46999-0280	5559-12P I-400	12	94V-0 BLACK
46999-0281	5559-14P I-400	14	94V-0 BLACK
46999-0282	5559-16P I-400	16	94V-0 BLACK
46999-0283	5559-18P I-400	18	94V-0 BLACK
46999-0284	5559-20P I-400	20	94V-0 BLACK
46999-0285	5559-22P I-400	22	94V-0 BLACK
46999-0286	5559-24P I-400	24	94V-0 BLACK

PART NUMBER	ENG. NUMBER	CIRCUIT SIZE	MATERIAL
39-01-3026	5559-02P1-BL	2	94V-2 BLACK
39-01-3046	5559-04P1-BL	4	94V-2 BLACK
39-01-3066	5559-06P1-BL	6	94V-2 BLACK
39-01-3086	5559-08P1-BL	8	94V-2 BLACK
39-01-3106	5559-10P1-BL	10	94V-2 BLACK
39-01-3126	5559-12P1-BL	12	94V-2 BLACK
39-01-3146	5559-14P1-BL	14	94V-2 BLACK
39-01-3166	5559-16P1-BL	16	94V-2 BLACK



<b>SYMBOLS</b> = 0 = 0 = 0 = 0 = 0 = 0 = 0	THIS DRAWING CONTAINS INFORMATION THAT IS PROPRIETARY TO MOLEX ELECTRONIC TECHNOLOGIES, LLC AND SHOULD NOT BE USED WITHOUT WRITTEN PERMISSION						
	DIMENSION UNITS <b>IN/MM</b>	SCALE <b>1:1</b>	CURRENT REV DESC: MIGRATE TO ECTR				
	GENERAL TOLERANCES (UNLESS SPECIFIED)		EC NO: 172489 DRWN: AZAHIROVIC 2018/01/24 CHK'D: JBELL 2018/02/20 APPR: FSMITH 2018/02/22				
	4 PLACES ± 3 PLACES ± 0.015 2 PLACES ± 0.38 1 PLACE ± 0 PLACES ±	MM INCH ± ± ± 0.38 ± ± ± ± ±	INITIAL REVISION: DRWN: RJF 1989/09/22 APPR: ROS 1989/09/22				
ANGULAR TOL ± 0.5 ° DRAFT WHERE APPLICABLE MUST REMAIN WITHIN DIMENSIONS	THIRD ANGLE PROJECTION 	DRAWING <b>C-SIZE</b>	SERIES <b>5559</b>	DOCUMENT NUMBER <b>55590001-SD</b>	DOC TYPE <b>PSD</b>	DOC PART <b>000</b>	REVISION <b>A</b>
MATERIAL NUMBER SEE CHART		CUSTOMER GENERAL MARKET		SHEET NUMBER 2 OF 2			