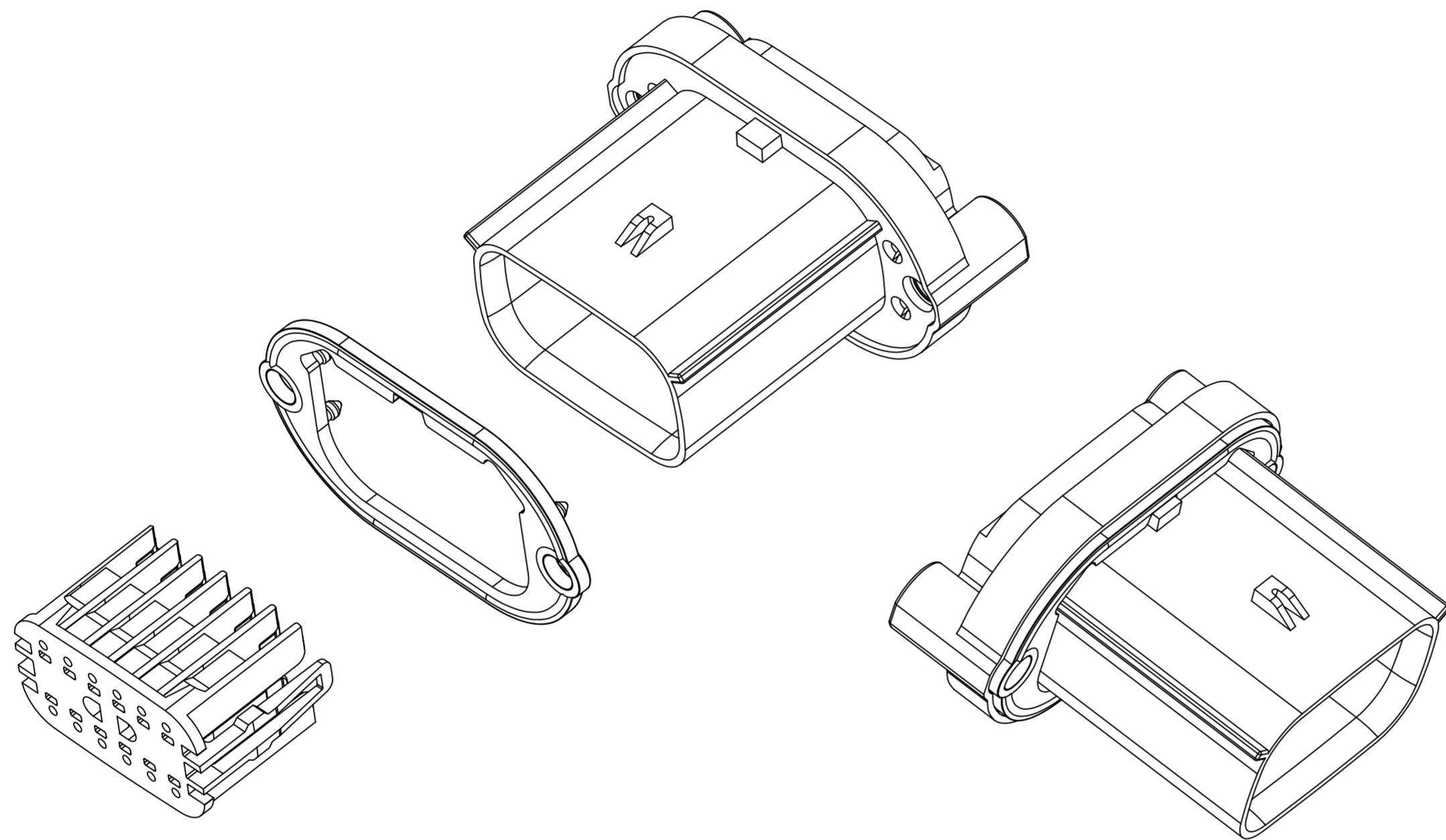


TABLE OF CONTENTS

SHEET 1	NOTES, ISO VIEW
SHEET 2	BOM AND POLARIZATION
SHEET 3	COMPARISON UL HB PART AND UL V0
SHEET 4	DETAIL VIEWS AND SECTIONS

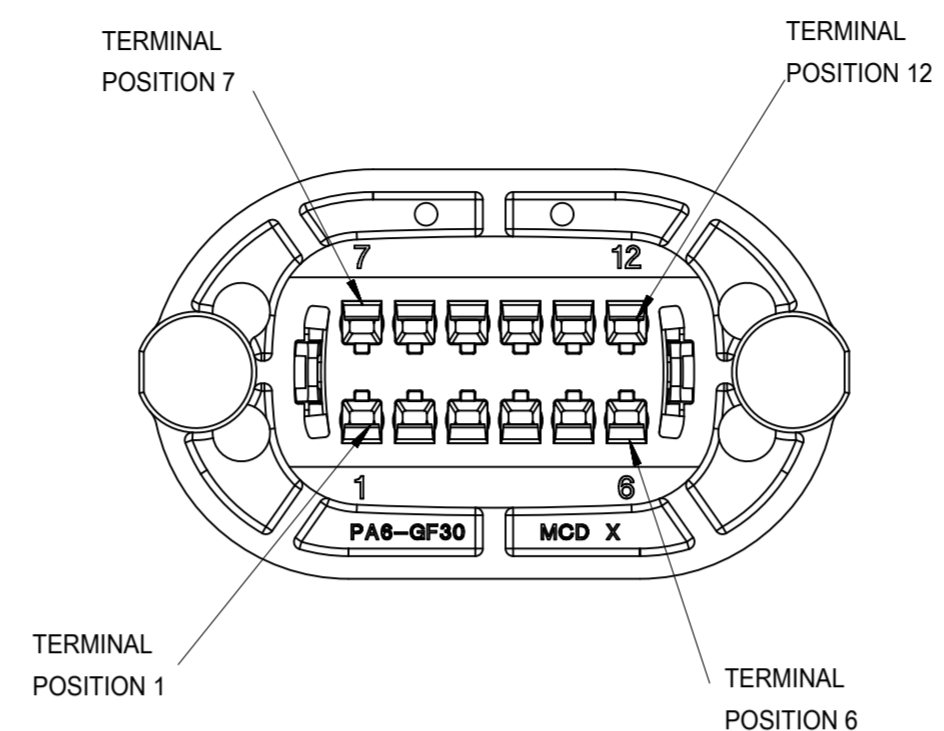
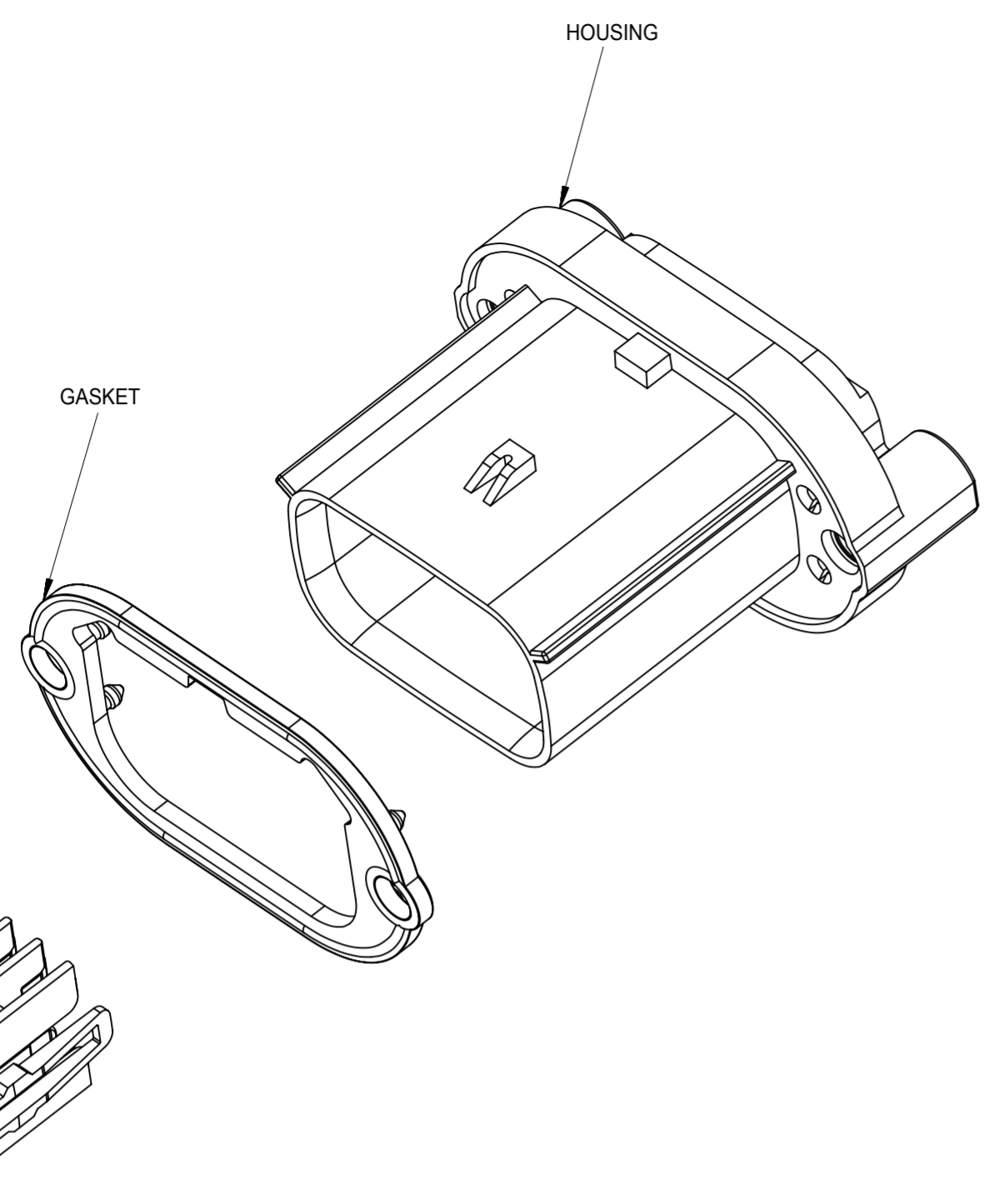
- NOTES: VALID UNLESS OTHERWISE SPECIFIED
- APPLICATION SPECIFICATION SEE: AS-47725-001
 - PRODUCT SPECIFICATION SEE: PS-47725-000
 - PARTS MUST BE IN COMPLIANCE TO MOLEX CHEMICAL SUBSTANCES FOR PRODUCTS AND PACKAGING SPECIFICATION: ES-40000-5016
 - MATERIALS:
 - HOUSING:
 - UL HB PART: PBT, 15% GLASS FILLED
 - UL V0 PART: PA6, 30% GLASS FILLED
 - TPA:
 - UL HB PART: SPS/NYLON BLEND, 20% GLASS FILLED
 - UL V0 PART: PA6, 30% GLASS FILLED
 - GASKET: SILICONE
 - SHIPPED PART WITH TPA IN PRE-LOCK POSITION
 - DESIGNED TO MATE WITH MX150 RECEPTACLE CONNECTOR ASSEMBLY
 - FOR ESSENTIAL PARTS (TERMINAL, WIRE ETC.) AND INSTALLATION TO COMPLETE ASSEMBLY SEE MOLEX PRODUCT SPECIFICATION PS-33472-000



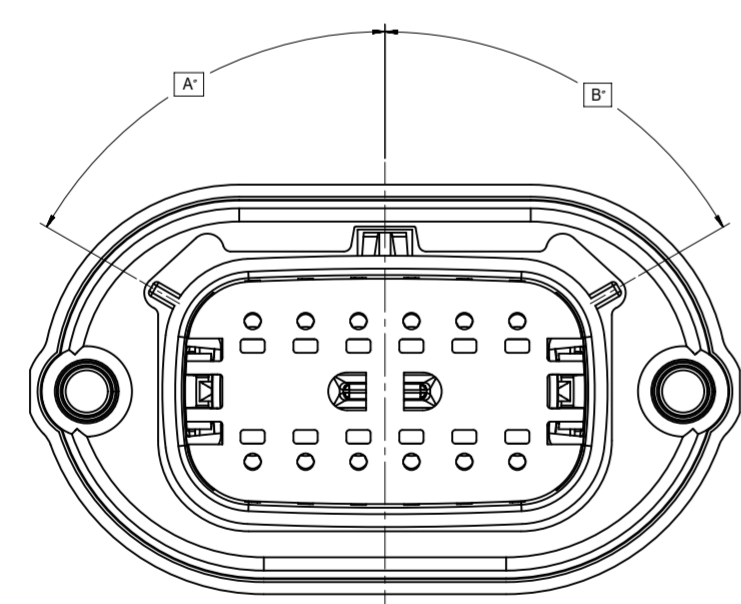
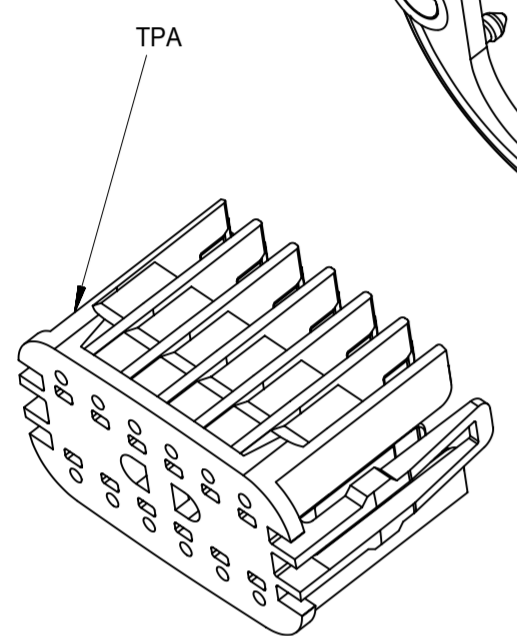
C	ADD POLARIZATION DIMENSIONS A AND B IN SHEET 2
B4	ADD BOM IN SHEET 2
B3	UPDATED STATUS FOR EACH PRODUCT NUMBER ADDED PART NUMBER 477258010; 477258020 477258030; 477258030
B2	ADDED DIMENSION 1b FOR V0 ADDED DIMENSION 2b FOR V0
B1	ADD P/N 477259050 UPDATE TRACEABILITY AREA
B	ADD UL V0 VERSION
A	INITIAL RELEASE
REV	DESCRIPTION

INSPECTION BALLOON NUMBER LOG	
PER DRAWING REVISION:	C
LAST BALLOON NUMBER USED:	5
ADDED BALLOON NUMBERS:	
REMOVED BALLOON NUMBERS:	

THIS DRAWING CONTAINS INFORMATION THAT IS PROPRIETARY TO MOLEX ELECTRONIC TECHNOLOGIES, LLC AND SHOULD NOT BE USED WITHOUT WRITTEN PERMISSION										
SYMBOLS		DIMENSION UNITS		SCALE		CURRENT REV DESC:				
∇ = 0	mm	2:1		EC NO: 172810 DRWN: WKHE 2018/02/27 CHK'D: CDZHANG 2018/02/27 APPR: JDENG02 2018/02/27 INITIAL REVISION: DRWN: CDZHANG 2015/11/20 APPR: CBQIU 2015/12/21						
∇ = 0	GENERAL TOLERANCES (UNLESS SPECIFIED)									
∇ = 0	ANGULAR TOL ± °									
∇ = 0	4 PLACES ±									
∇ = 0	3 PLACES ±									
∇ = 0	2 PLACES ±									
∇ = 0	1 PLACE ±			MOLEX MX150 2X6 PANEL MOUNT CONNECTOR PRODUCT CUSTOMER DRAWING						
∇ = 0	0 PLACES ±									
∇ = 0	DRAFT WHERE APPLICABLE MUST REMAIN WITHIN DIMENSIONS		THIRD ANGLE PROJECTION		DRAWING		SERIES		DOCUMENT NUMBER	
∇ = 0					A2-SIZE		47725		SD-47725-601	
DOCUMENT STATUS			P1		RELEASE DATE		2018/02/27 06:44:53		DOC TYPE DOC PART REVISION	
									PSD 001 C	
									MATERIAL NUMBER CUSTOMER SHEET NUMBER	
									ON SHEET 2 GENERAL MARKET 1 OF 4	



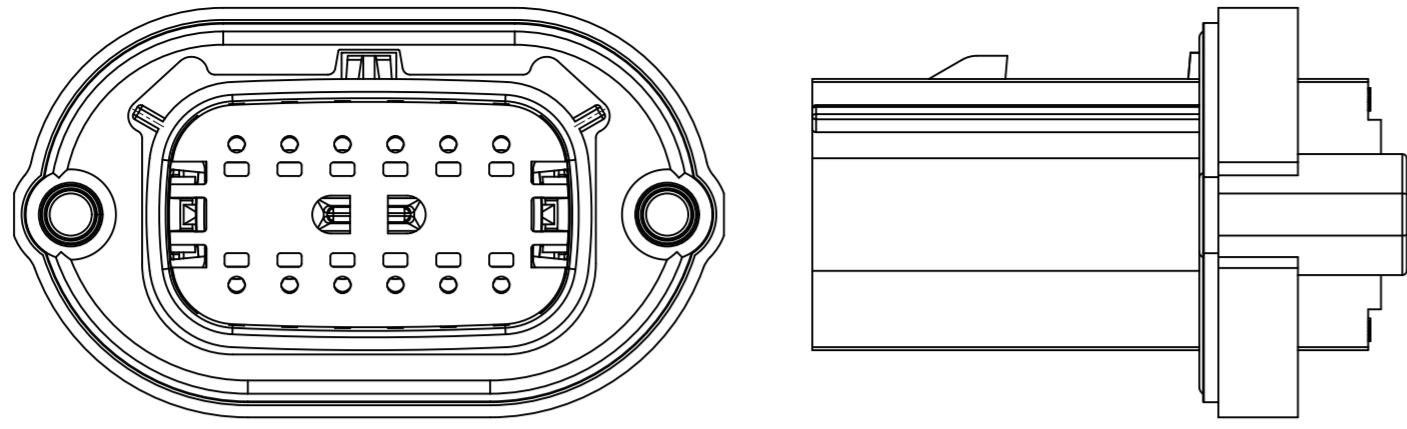
ABBREVIATION	DESCRIPTION	COLOR	MATERIAL
A-BLK-HB	HOUSING, KEY OPITION A, HB	BLACK	PBT GF15
B-LG-HB	HOUSING, KEY OPITION B, HB	LIGHT GRAY	PBT GF15
C-DG-HB	HOUSING, KEY OPITION C, HB	DARK GRAY	PBT GF15
D-SG-HB	HOUSING, KEY OPITION D, HB	STONE GRAY	PBT GF15
A-BLK-V0	HOUSING, KEY OPITION A, V0	BLACK	PA6 GF30
B-LG-V0	HOUSING, KEY OPITION B, V0	LIGHT GRAY	PA6 GF30
C-DG-V0	HOUSING, KEY OPITION C, V0	DARK GRAY	PA6 GF30
D-SG-V0	HOUSING, KEY OPITION D, V0	STONE GRAY	PA6 GF30
D-BLK-V0	HOUSING, KEY OPITION D, V0	BLACK	PA6 GF30
GASKET	GASKET	BLUE	SILICONE
TPA-HB	TPA, HB	NATURAL	SPS/NYLON GF20
TPA-V0	TPA, V0	ASH GRAY	PA6 GF30



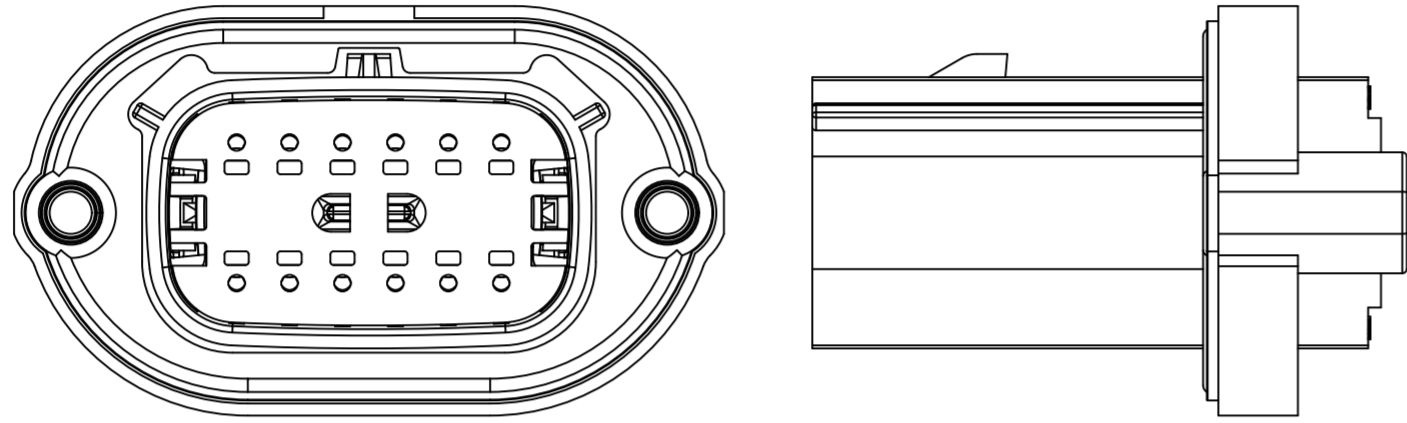
ASSEMBLY DESCRIPTION	ASSEMBLY PART NUMBER	COMPONENT			DIMENSIONS		STATUS
		THE PRESENCE OF AN ABBREVIATION INDICATES THE PRESENCE OF THAT COMPONENT			A	B	
		HOUSING KEY/COLOR	GASKET COLOR	TPA COLOR			
KEY A, BLACK, HB	477256010	A-BLK-HB	BLUE	NATURAL	60	60	SALEABLE
KEY B, LIGHT GRAY, HB	477256020	B-LG-HB	BLUE	NATURAL	25	60	SALEABLE
KEY C, DARK GRAY, HB	477256030	C-DG-HB	BLUE	NATURAL	60	25	SALEABLE
KEY D, STONE GRAY, HB	477256040	D-SG-HB	BLUE	NATURAL	25	25	SALEABLE
KEY A, BLACK, HB	477257010	A-BLK-HB	BLUE	NATURAL	60	60	SALEABLE
KEY B, LIGHT GRAY, HB	477257020	B-LG-HB	BLUE	NATURAL	25	60	SALEABLE
KEY C, DARK GRAY, HB	477257030	C-DG-HB	BLUE	NATURAL	60	25	SALEABLE
KEY D, STONE GRAY, HB	477257040	D-SG-HB	BLUE	NATURAL	25	25	SALEABLE
KEY A, BLACK, V0	477258010	A-BLK-V0	BLUE	ASH GRAY	60	60	SALEABLE
KEY B, LIGHT GRAY, V0	477258020	B-LG-V0	BLUE	ASH GRAY	25	60	SALEABLE
KEY C, DARK GRAY, V0	477258030	C-DG-V0	BLUE	ASH GRAY	60	25	SALEABLE
KEY D, STONE GRAY, V0	477258040	D-SG-V0	BLUE	ASH GRAY	25	25	SALEABLE
KEY A, BLACK, V0	477259010	A-BLK-V0	BLUE	ASH GRAY	60	60	SALEABLE
KEY B, LIGHT GRAY, V0	477259020	B-LG-V0	BLUE	ASH GRAY	25	60	SALEABLE
KEY C, DARK GRAY, V0	477259030	C-DG-V0	BLUE	ASH GRAY	60	25	SALEABLE
KEY D, STONE GRAY, V0	477259040	D-SG-V0	BLUE	ASH GRAY	25	25	SALEABLE
KEY D, BLACK, V0	477259050	D-BLK-V0	BLUE	ASH GRAY	25	25	PLANNED OBSOLESCENCE

SYMBOLS DIMENSION UNITS: mm SCALE: 2:1 GENERAL TOLERANCES (UNLESS SPECIFIED) ANGULAR TOL: ± ° 4 PLACES ± 3 PLACES ± 2 PLACES ± 1 PLACE ± 0 PLACES ± DRAFT WHERE APPLICABLE MUST REMAIN WITHIN DIMENSIONS THIRD ANGLE PROJECTION	THIS DRAWING CONTAINS INFORMATION THAT IS PROPRIETARY TO MOLEX ELECTRONIC TECHNOLOGIES, LLC AND SHOULD NOT BE USED WITHOUT WRITTEN PERMISSION CURRENT REV DESC: EC NO: 172810 DRWN: WKHE 2018/02/27 CHK'D: CDZHANG 2018/02/27 APPR: JDENG02 2018/02/27 INITIAL REVISION: DRWN: CDZHANG 2015/11/20 APPR: CBQIU 2015/12/21			 MX150 2X6 PANEL MOUNT CONNECTOR PRODUCT CUSTOMER DRAWING		
	DOCUMENT NUMBER: SD-47725-601 DOC TYPE: PSD DOC PART: 001 REVISION: C					
	MATERIAL NUMBER: SEE TABLE CUSTOMER: GENERAL MARKET SHEET NUMBER: 2 OF 4					

47725-60XX
47725-90XX

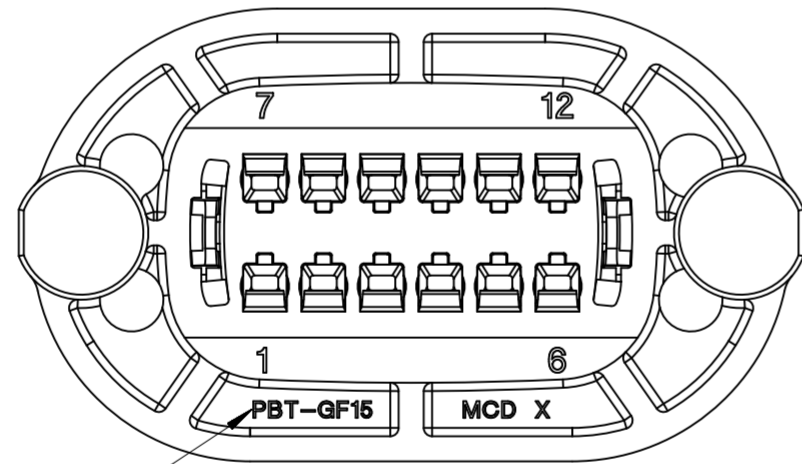


47725-70XX
47725-80XX



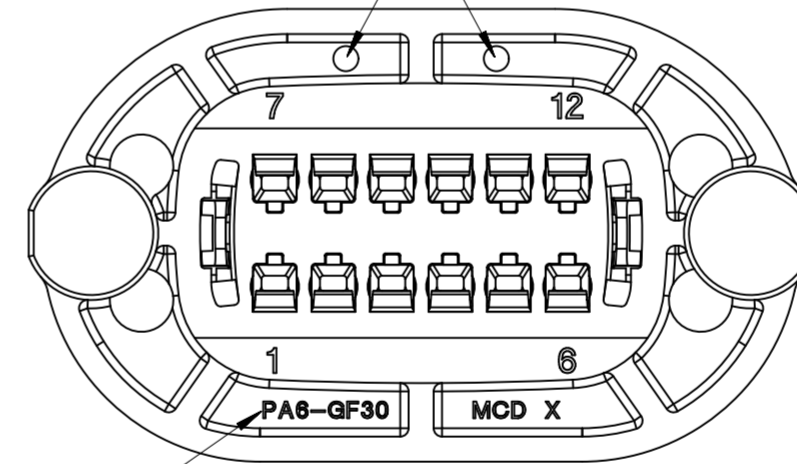
DIFFERENCE BETWEEN UL HB PART AND UL V0 PART

2 COLUMNS ADDED ON V0 PART TO
DISTINGUISH FROM HB GRADE PART



DIFFERENCES CYCLING CODE

UL HB PART



DIFFERENCES CYCLING CODE

UL V0 PART

SYMBOLS = 0 = 0 = 0 = 0 = 0 = 0 = 0 = 0 = 0	THIS DRAWING CONTAINS INFORMATION THAT IS PROPRIETARY TO MOLEX ELECTRONIC TECHNOLOGIES, LLC AND SHOULD NOT BE USED WITHOUT WRITTEN PERMISSION					
	DIMENSION UNITS	SCALE	CURRENT REV DESC:			
	mm	2:1				
	GENERAL TOLERANCES (UNLESS SPECIFIED)		EC NO: 172810			
	ANGULAR TOL	± °	DRWN: WKHE	2018/02/27		
	4 PLACES	±	CHK'D: CDZHANG	2018/02/27		
	3 PLACES	±	APPR: JDENG02	2018/02/27		
	2 PLACES	±	INITIAL REVISION:			
	1 PLACE	±	DRWN: CDZHANG	2015/11/20		
	0 PLACES	±	APPR: CBQIU	2015/12/21		
DRAFT WHERE APPLICABLE MUST REMAIN WITHIN DIMENSIONS	THIRD ANGLE PROJECTION	DRAWING	SERIES	MATERIAL NUMBER	CUSTOMER	SHEET NUMBER
		A2-SIZE	47725	ON SHEET 2	GENERAL MARKET	3 OF 4

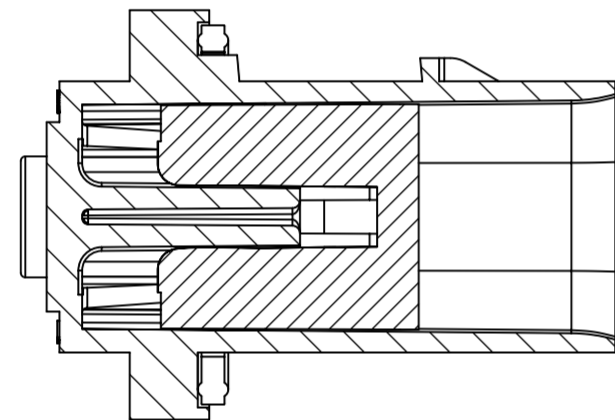
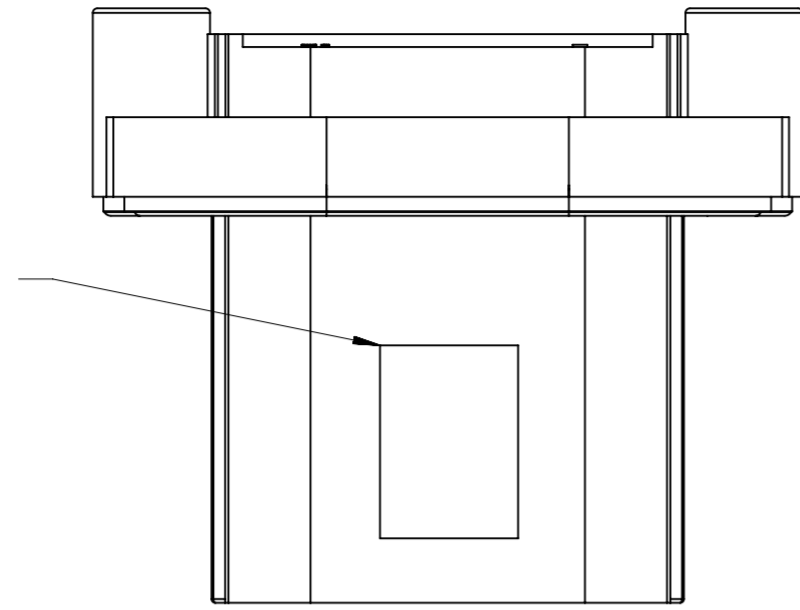
molex

MX150 2X6
PANEL MOUNT CONNECTOR

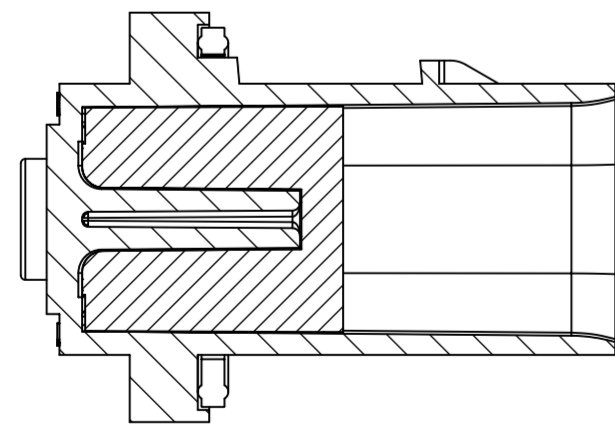
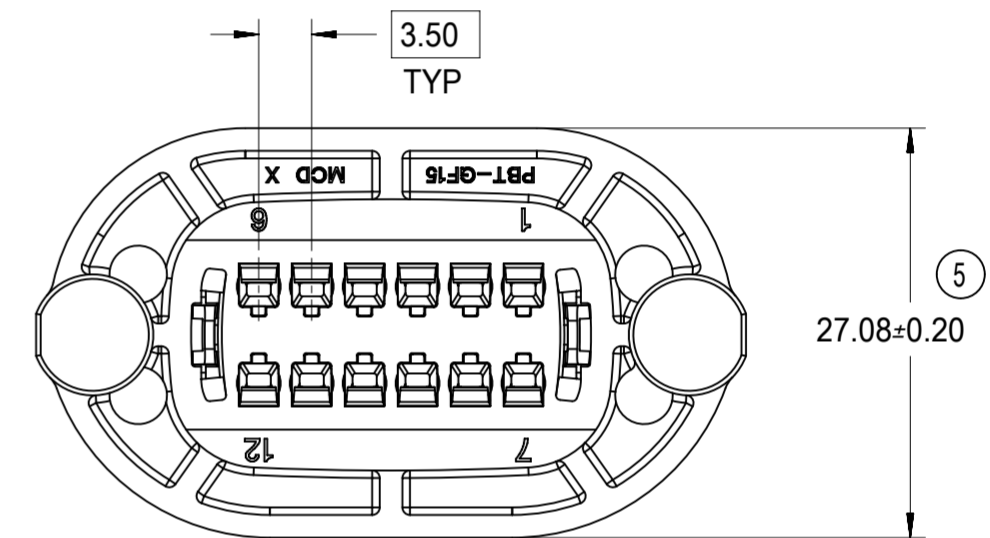
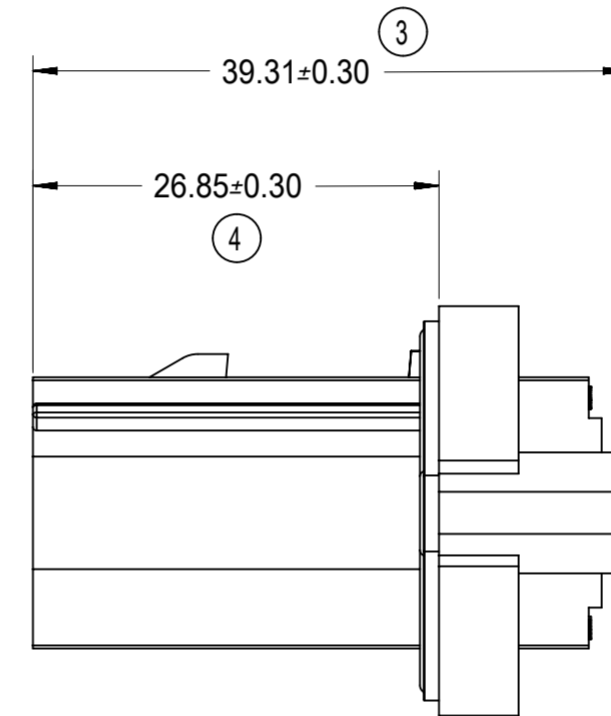
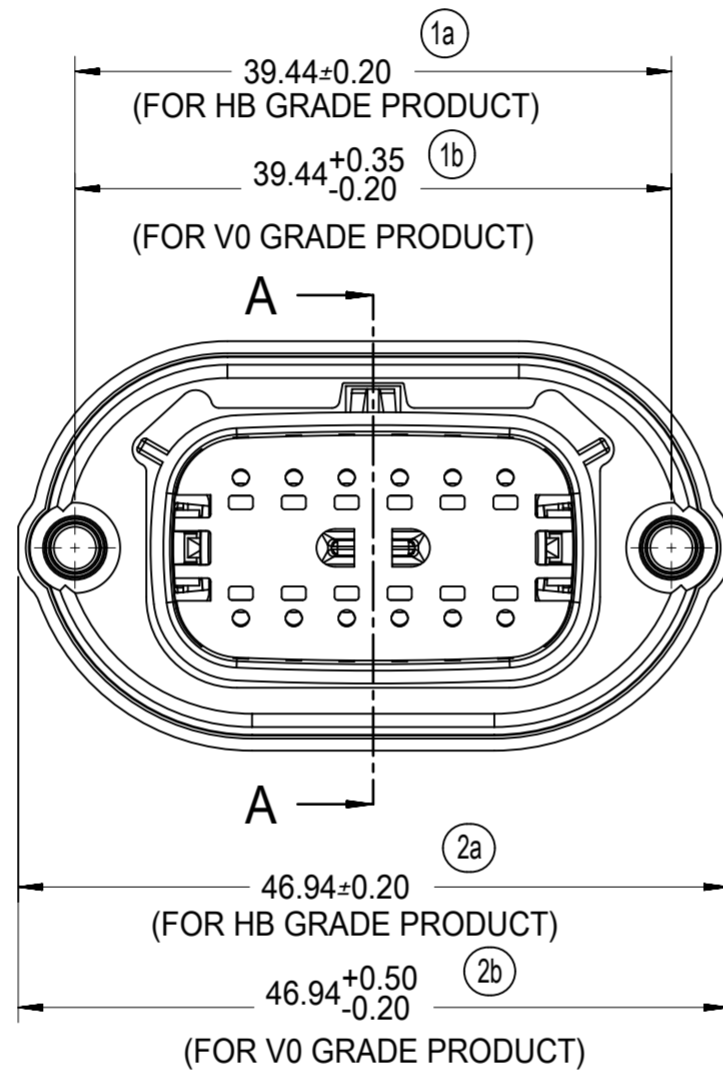
PRODUCT CUSTOMER DRAWING

DOCUMENT NUMBER	DOC TYPE	DOC PART	REVISION
SD-47725-601	PSD	001	C

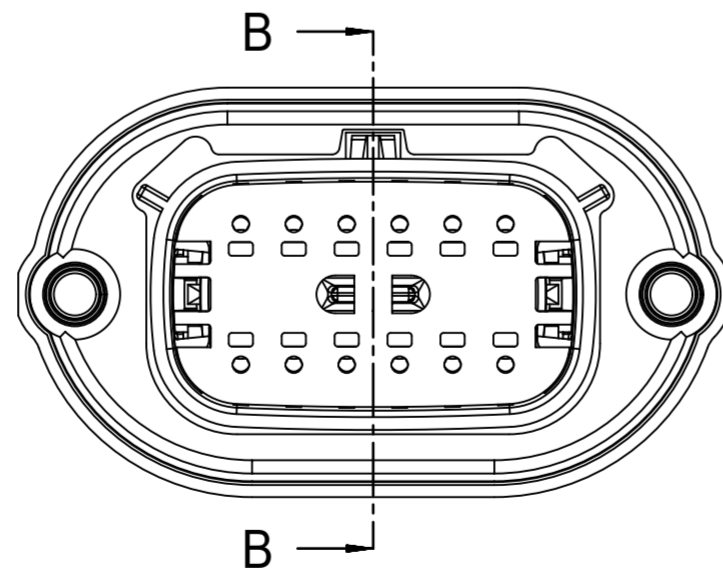
TRACEABILITY INFORMATION
LOCATION IN THIS AREA



SECTION A-A
(TPA SHOWN IN PRE-LOCK POSITION
FOR REFERENCE ONLY)



(TPA SHOWN IN FULL-LOCK POSITION
FOR REFERENCE ONLY)



SYMBOLS □ = 0 ▽ = 0 ▽ = 0 ▽ = 0 ▽ = 0 ▽ = 0 ▽ = 0 ▽ = 0 ▽ = 0 ▽ = 0 ▽ = 0	THIS DRAWING CONTAINS INFORMATION THAT IS PROPRIETARY TO MOLEX ELECTRONIC TECHNOLOGIES, LLC AND SHOULD NOT BE USED WITHOUT WRITTEN PERMISSION		molex MX150 2X6 PANEL MOUNT CONNECTOR						
	DIMENSION UNITS	SCALE					CURRENT REV DESC:		
	mm	2:1	EC NO: 172810			DOCUMENT NUMBER	DOC TYPE	DOC PART	REVISION
	GENERAL TOLERANCES (UNLESS SPECIFIED)		DRWN: WKHE 2018/02/27			SD-47725-601	PSD	001	C
	ANGULAR TOL ± °		CHK'D: CDZHANG 2018/02/27						
	4 PLACES ±		APPR: JDENG02 2018/02/27			PRODUCT CUSTOMER DRAWING			
	3 PLACES ±		INITIAL REVISION:			MATERIAL NUMBER			
	2 PLACES ±		DRWN: CDZHANG 2015/11/20			CUSTOMER			
	1 PLACE ±		APPR: CBQIU 2015/12/21			ON SHEET 2			
	0 PLACES ±		THIRD ANGLE PROJECTION			GENERAL MARKET			
DRAFT WHERE APPLICABLE MUST REMAIN WITHIN DIMENSIONS		DRAWING		SERIES	SHEET NUMBER				
		A2-SIZE		47725	4 OF 4				