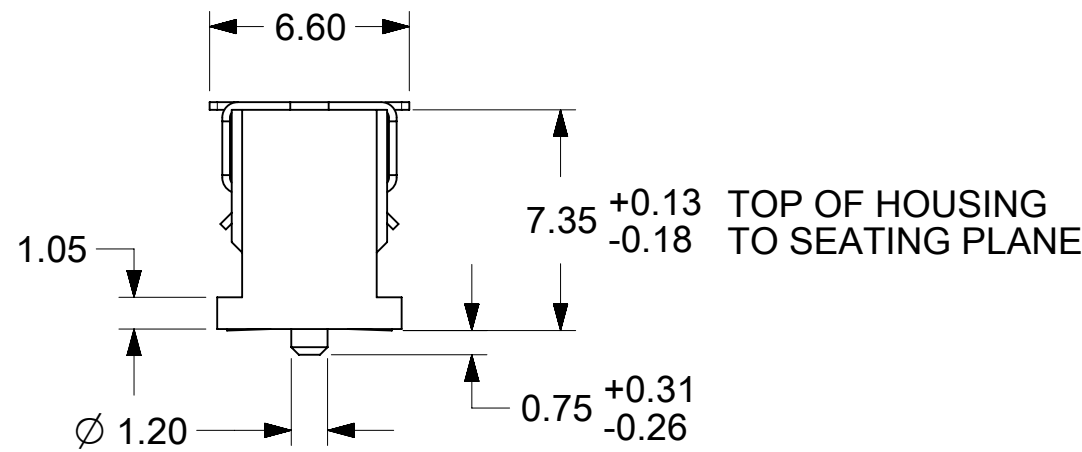
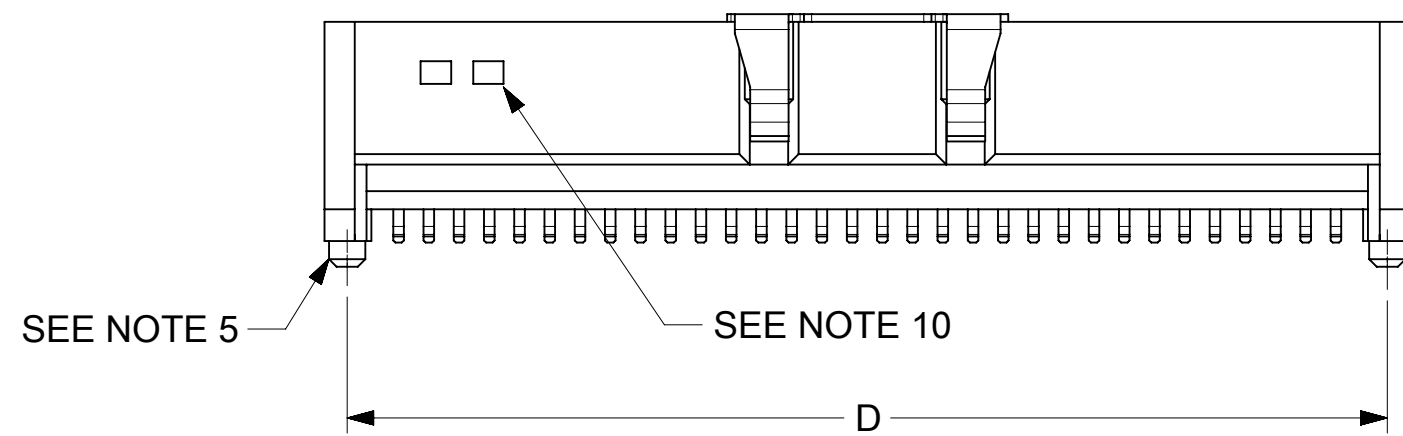
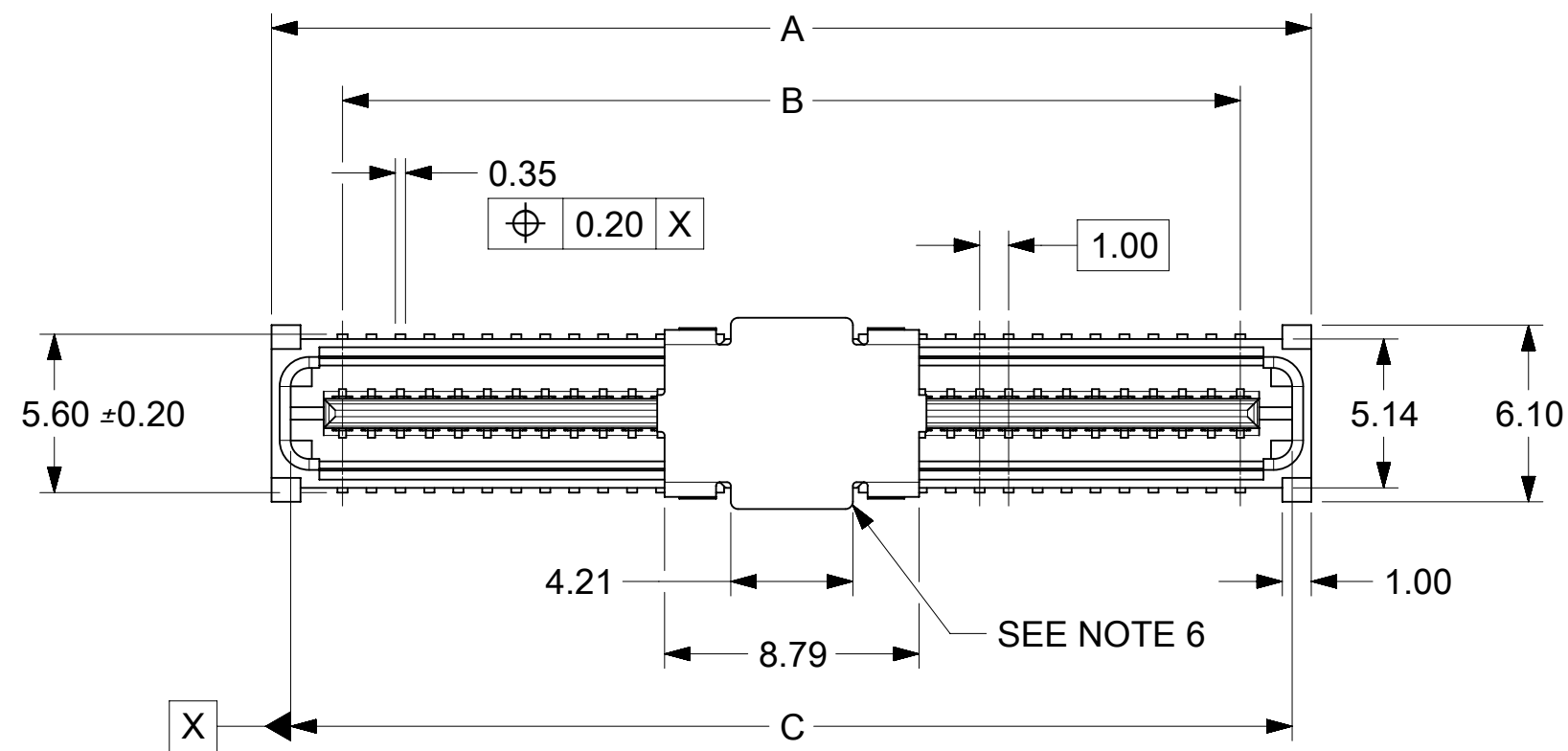


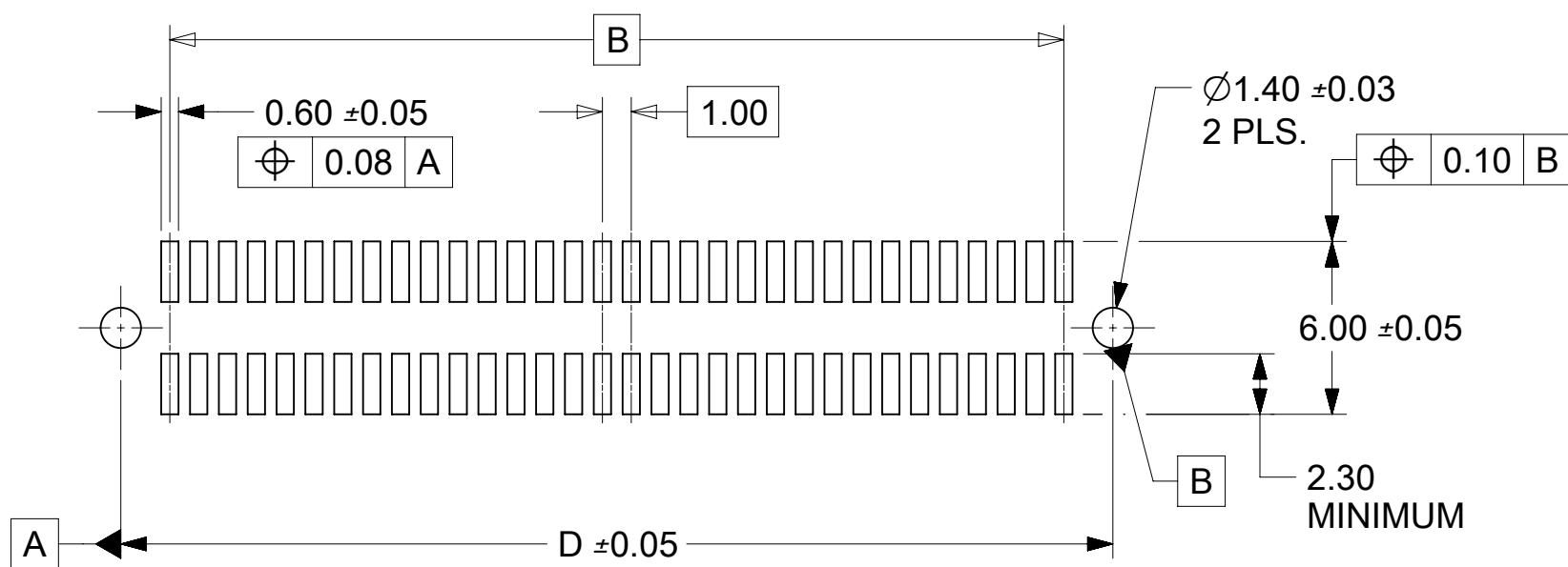
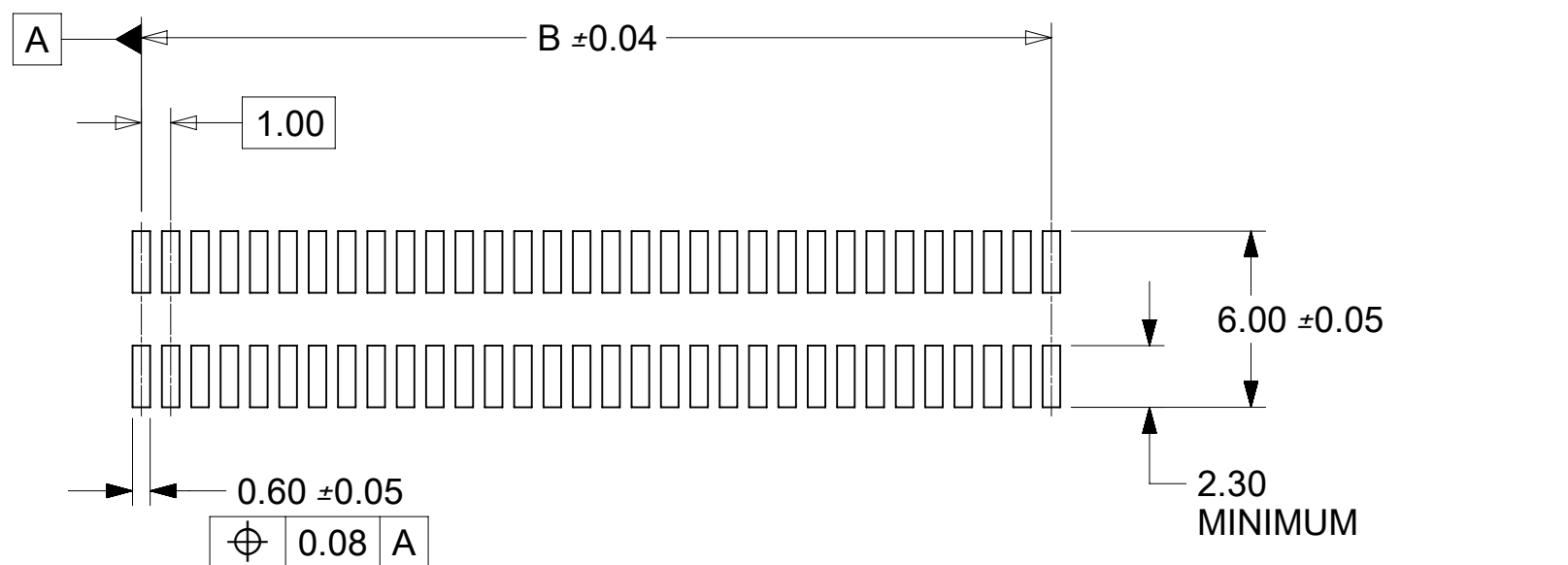
* THE PRIMARY SHIPPING CARTON WILL BE LABELED "COMPLIANT TO ROHS DIRECTIVE 2002/95/EC AND ELV ANNEX II OF DIRECTIVE 2000/53/EC" CARTONS WITHOUT THIS LABEL MAY CONTAIN PRODUCT WITH LEAD.

CIRCUIT SIZE	DIM.A	DIM.B	DIM.C	DIM.D
20	13.90	9.00	12.58	12.40
30	18.90	14.00	17.58	17.40
40	23.90	19.00	22.58	22.40
50	28.90	24.00	27.58	27.40
60	33.90	29.00	32.58	32.40
64	35.90	31.00	34.58	34.40
70	38.90	34.00	37.58	37.40
80	43.90	39.00	42.58	42.40
84	45.90	41.00	44.58	44.40
90	48.90	44.00	47.58	47.40
100	53.90	49.00	52.58	52.40
110	58.90	54.00	57.58	57.40
120	63.90	59.00	62.58	62.40



NOTES

- HOUSING MATERIAL: G.F. THERMOPLASTIC; UL RATING: 94V-0; COLOR: WHITE
TERMINAL MATERIAL: PHOSPHOR BRONZE; 0.205 THICK.
VACUUM CAP MATERIAL: STAINLESS STEEL; 0.255 THICK.
- PLATING FINISHES: SEE SHEET 2.
- THIS PART, WHEN MATED WITH MOLEX 1.0mm RECEPTACLE CONNECTOR SERIES 71439, CONFORMS TO MOLEX PRODUCT SPECIFICATION PS-71436-9999. REFER TO TABLE ON SHEET 2 FOR MATED STACK HEIGHTS FOR THIS PLUG.
- PACKAGING SPECIFICATIONS: REFER TO TABLE ON SHEET 2.
- PEGS ARE OPTIONAL. REFER TO TABLE ON SHEET 2.
- VACUUM PICK & PLACE CAP OPTIONAL. REFER TO TABLE ON SHEET 2.
- THIS PART CONFORMS TO EIA STANDARD 700 AAB FOR 1.0mm TWO-PART CONNECTORS FOR USE WITH PARALLEL PRINTED BOARDS.
- COPLANARITY OF SMT TAILS: 0.10 MAX.
- 64-CIRCUIT PLUG ASSEMBLY WITH PEGS AND VACUUM CAP SHOWN FOR ILLUSTRATION PURPOSES ONLY.
- DATE CODE STAMP IS WEEK, YEAR LOCATED APPROXIMATELY WHERE SHOWN.



RECOMMENDED PCB LAYOUT
(WITH AND WITHOUT PEGS)
RECOMMENDED PCB THICKNESS: 1.00±0.10 MINIMUM

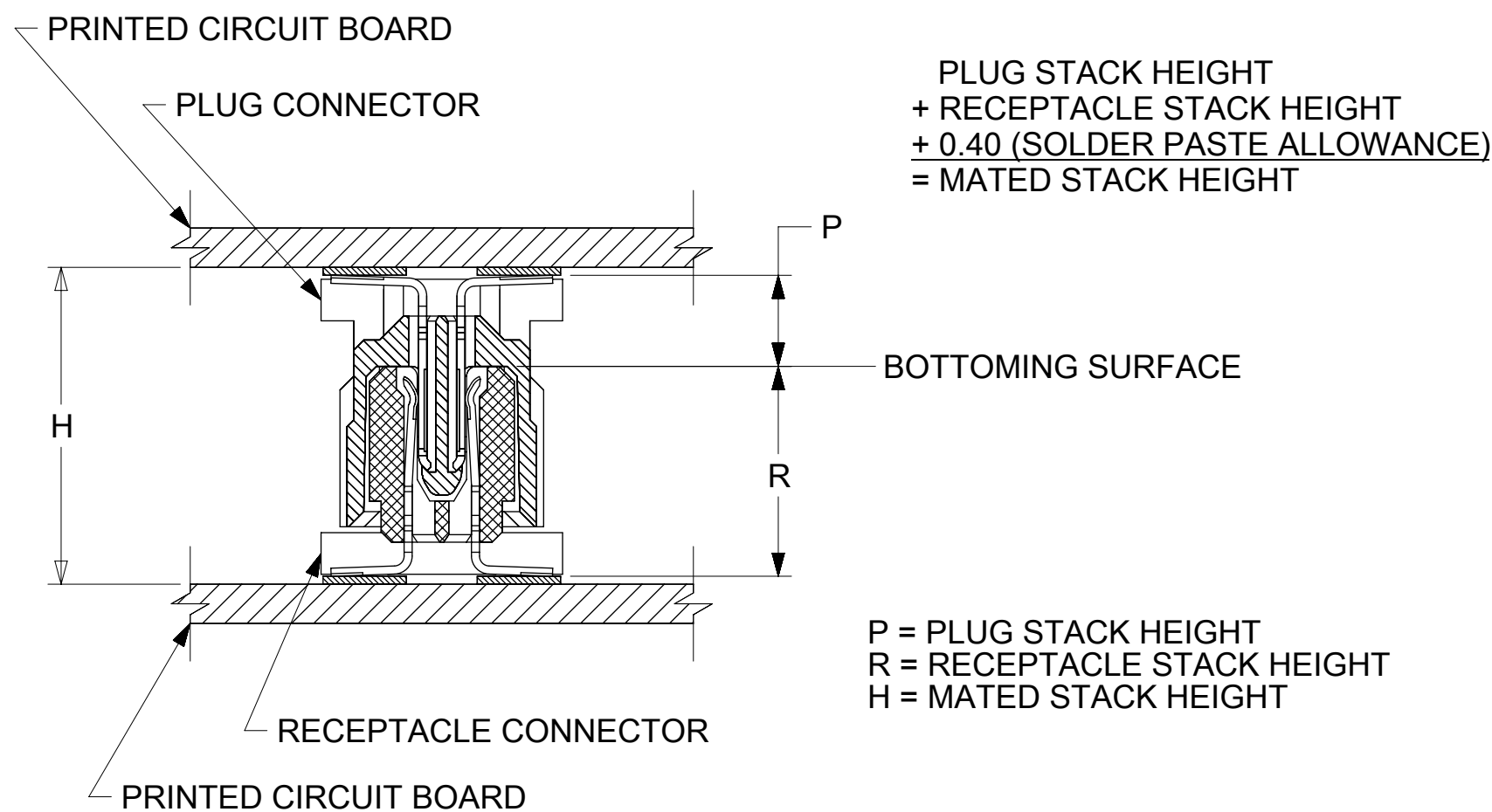
THIS DRAWING CONTAINS INFORMATION THAT IS PROPRIETARY TO MOLEX ELECTRONIC TECHNOLOGIES, LLC AND SHOULD NOT BE USED WITHOUT WRITTEN PERMISSION									
DIMENSION UNITS	SCALE	CURRENT REV DESC: REDRAWN IN NX							
mm	4:1								
GENERAL TOLERANCES (UNLESS SPECIFIED)					SALES ASSY, 1.0MM BOARD TO BOARD PLUG CONNECTOR 3.30 STACK HEIGHT				
ANGULAR TOL	± 0.5°	EC NO: 174370			PRODUCT CUSTOMER DRAWING				
4 PLACES	±	DRWN: TPREMO 2018/03/29			DOCUMENT NUMBER				
3 PLACES	±	CHK'D: KLANG 2018/04/02			714361000				
2 PLACES	± 0.13	APPR: KLANG 2018/04/02			DOC TYPE				
1 PLACE	± 0.25	INITIAL REVISION:			PSD				
0 PLACES	±	DRWN: REED 1995/04/03			000				
DRAFT WHERE APPLICABLE MUST REMAIN WITHIN DIMENSIONS		THIRD ANGLE PROJECTION		DRAWING		SERIES		SHEET NUMBER	
				C-SIZE		71436		1 OF 2	

STANDARD

CIRCUIT SIZE	PLUG ASSY. PART NUMBER	PEGS	CONTACT PLATING SEE PLATING NOTES	PICK & PLACE CAP	PACKAGING SPEC. NUMBER	PACKAGING TYPE
64	71436-1164	YES	30 GOLD	NO	PK-70873-0607	TUBE
64	71436-1364	YES	30 GOLD	YES	PK-70873-0607	TUBE
64	71436-1464	YES	30 GOLD	YES	PK-70873-063	TAPE & REEL
64	71436-1564	NO	30 GOLD	NO	PK-70873-0606	TUBE
64	71436-1664	NO	30 GOLD	YES	PK-70873-063	TAPE & REEL
64	71436-1764	NO	30 GOLD	YES	PK-70873-0606	TUBE
64	71436-1864	NO	30 GOLD	YES	PK-70873-063	TAPE & REEL
64	71436-1264	YES	50 GOLD	NO	PK-70873-0607	TUBE
64	71436-1064	NO	50 GOLD	NO	PK-70873-0607	TUBE

RECOMMENDED PLUG/RECEPTACLE COMBINATION FOR MATED STACK HEIGHT PER EIA STANDARD 700 AAAB

MATED STACK HEIGHT	RECEPTACLE HEIGHT	RECEPTACLE SERIES NO.	PLUG HEIGHT	PLUG SERIES NO.
9.00	5.30	71439-0***	3.30	71436-1***
11.00	7.30	71439-1***		
14.00	10.30	71439-3***		



PLATING PER ES-88

30 GOLD - 0.76 MICROMETERS MINIMUM GOLD IN CONTACT AREA AND 1.91 MICOMETERS MINIMUM MATTE TIN IN PC TAIL AREA OVER 1.27 MICROMETERS MINIMUM PLATING OVERALL.

50 GOLD - 1.27 MICROMETERS MINIMUM GOLD IN CONTACT AREA AND 1.91 MICOMETERS MINIMUM MATTE TIN IN PC TAIL AREA OVER 1.27 MICROMETERS MINIMUM PLATING OVERALL.

THIS DRAWING CONTAINS INFORMATION THAT IS PROPRIETARY TO MOLEX ELECTRONIC TECHNOLOGIES, LLC AND SHOULD NOT BE USED WITHOUT WRITTEN PERMISSION										
DIMENSION UNITS	SCALE	CURRENT REV DESC: REDRAWN IN NX				molex				
mm	---									
GENERAL TOLERANCES (UNLESS SPECIFIED)		EC NO: 174370				SALES ASSY, 1.0MM BOARD TO BOARD PLUG CONNECTOR 3.30 STACK HEIGHT				
ANGULAR TOL	± 0.5°	DRWN: TPREMO		2018/03/29						
4 PLACES	±	CHK'D: KLANG		2018/04/02						
3 PLACES	±	APPR: KLANG		2018/04/02		PRODUCT CUSTOMER DRAWING				
2 PLACES	± 0.13	INITIAL REVISION:				DOCUMENT NUMBER				
1 PLACE	± 0.25	DRWN: REED		1995/04/03		714361000		DOC TYPE	DOC PART	REVISION
0 PLACES	±	APPR: BIXLER		1995/04/03				PSD	000	A
DRAFT WHERE APPLICABLE MUST REMAIN WITHIN DIMENSIONS		THIRD ANGLE PROJECTION	DRAWING	SERIES	MATERIAL NUMBER	CUSTOMER	SHEET NUMBER			
			C-SIZE	71436	SEE TABLE	GENERAL MARKET	2 OF 2			