

MATERIALS AND FINISHES

BODY REAR BRASS  
PLATED TIN

BODY FRONT BRASS  
PLATED NICKEL

CENTER CONTACT PHOSPHOR BRONZE/BRASS  
PLATED GOLD

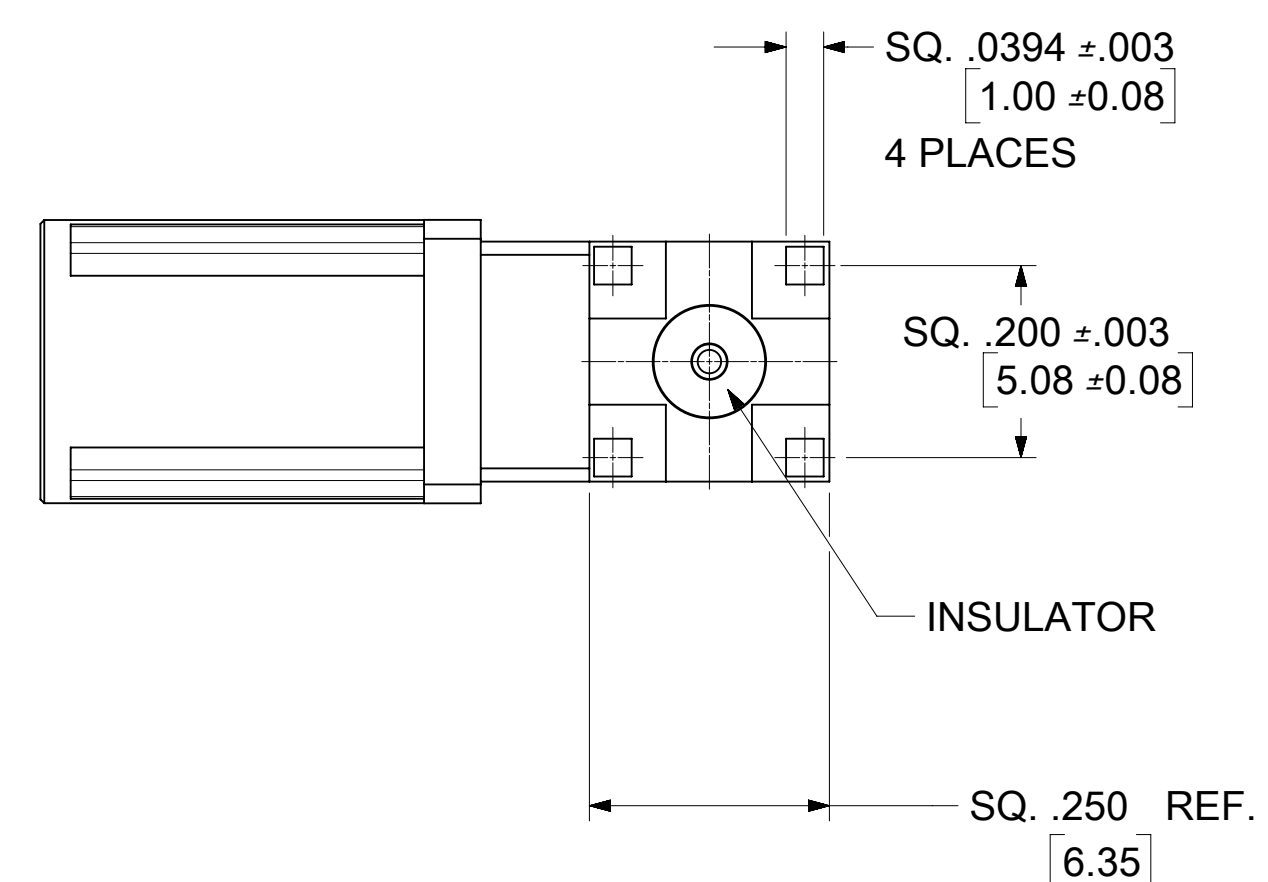
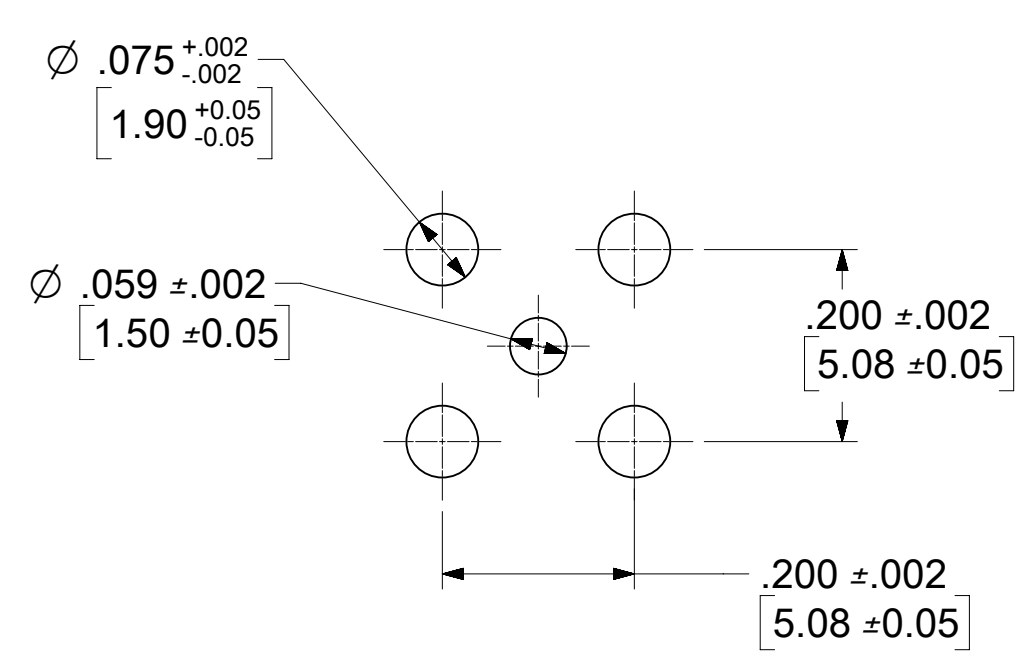
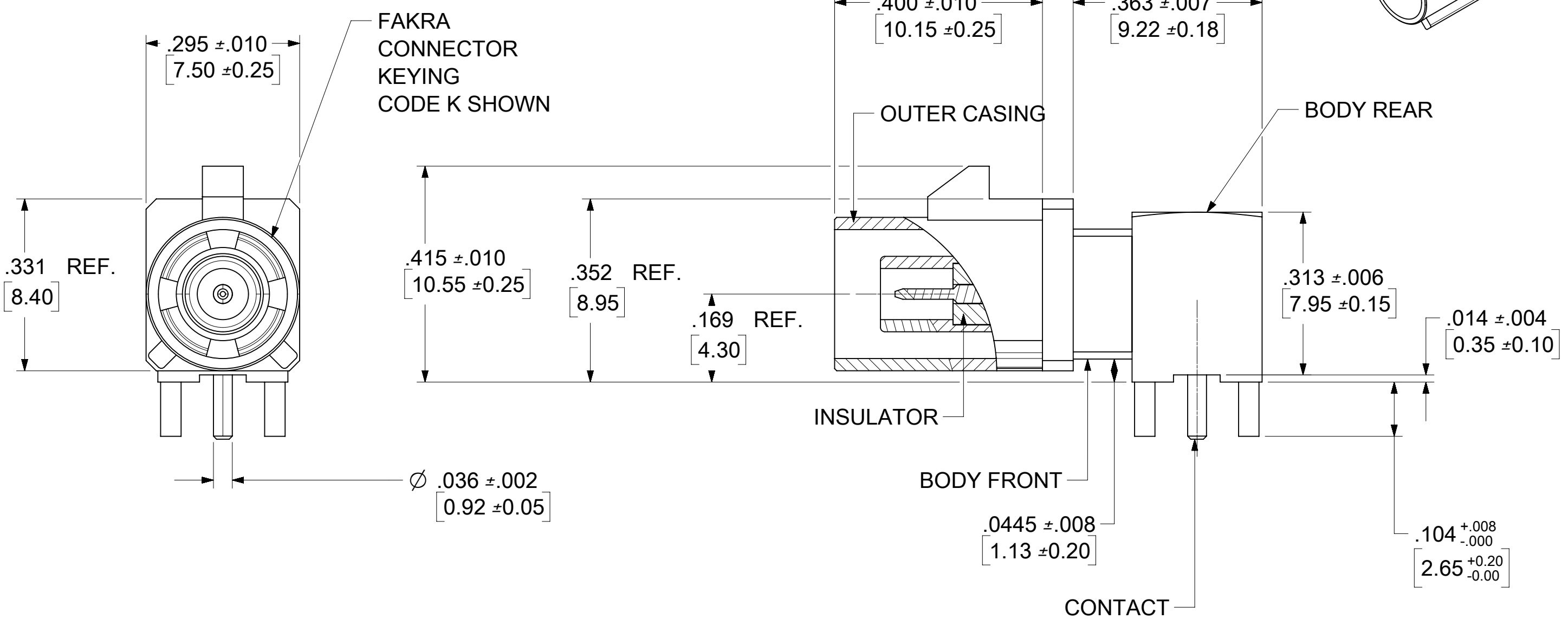
OUTER CASING HIGH TEMPERATURE PLASTIC  
KEYING SEE TABLE  
COLOR SEE TABLE

INSULATOR TEFLON

PACKAGING BY TRAY

RETENTION SPECIFICATION

THE FAKRA CONNECTOR SHROUD WILL WITHSTAND  
A LONGITUDINAL FORCE OF 110 N (24.75 LBS)



|                          |                         |
|--------------------------|-------------------------|
| PS-89675-3310            | PRODUCT SPECIFICATION   |
| MIL-STD-348A, FIG. 311.1 | INTERFACE SPECIFICATION |
| SPECIFICATION            | DESCRIPTION             |

|            |      |                                  |
|------------|------|----------------------------------|
| 2018/03/19 | A7   | REDRAWN AND ADDED DIM. PER 11863 |
| 2017/01/05 | A6   | REDRAWN                          |
| DATE       | REV. | DESCRIPTION                      |

|                 |    |              |                     |
|-----------------|----|--------------|---------------------|
| DOCUMENT STATUS | P1 | RELEASE DATE | 2018/03/23 02:05:33 |
|-----------------|----|--------------|---------------------|

|         |  |   |                   |
|---------|--|---|-------------------|
| SYMBOLS |  | THIS DRAWING CONTAINS INFORMATION THAT IS PROPRIETARY TO MOLEX ELECTRONIC TECHNOLOGIES, LLC AND SHOULD NOT BE USED WITHOUT WRITTEN PERMISSION |                   |
| ▽ = 0   | HYBRID   | SCALE   | CURRENT REV DESC: |
| ▽ = 0   | GENERAL TOLERANCES (UNLESS SPECIFIED)                | 5:1   |                   |
| ▽ = 0   | ANGULAR TOL ± 2.0°                                   |   |                   |
| ▽ = 0   | 4 PLACES ±   | EC NO: 173804   |                   |
| ▽ = 0   | 3 PLACES ±   | DRWN: ELIN  | 2018/03/19        |
| ▽ = 0   | 2 PLACES ±   | CHK'D: YCHENG   | 2018/03/23        |
| ▽ = 0   | 1 PLACE ±  | APPR: YCHENG  | 2018/03/23        |
| ▽ = 0   | 0 PLACES ±   | INITIAL REVISION:   |                   |
| ▽ = 0   | DRAFT WHERE APPLICABLE MUST REMAIN WITHIN DIMENSIONS | DRWN: SCHOU   | 2009/01/21        |
| ▽ = 0   |  | APPR: MHUANG  | 2009/01/23        |
|         | THIRD ANGLE PROJECTION                               | DRAWING   | SERIES            |
|         |  | C-SIZE  | 73403             |
|         |  | MATERIAL NUMBER   | CUSTOMER          |
|         |  | SD-73403-511  | GENERAL MARKET    |
|         |  | DOC TYPE  | DOC PART          |
|         |  | PSD   | 001               |
|         |  | REVISION  | A7                |
|         |  | SHEET NUMBER  | 1 OF 2            |



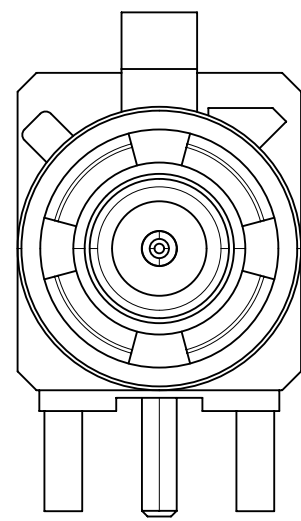
SMB JACK, FAKRA R/A  
PCB, 50 OHMS 11863 SMB-J/PCB/RA

PRODUCT CUSTOMER DRAWING

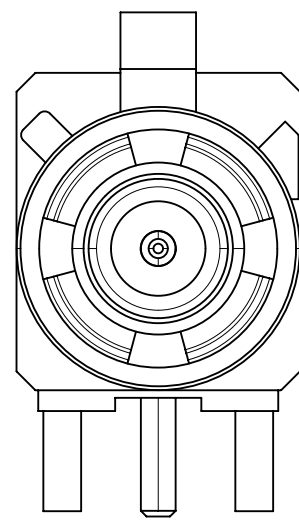
DOCUMENT NUMBER: SD-73403-511

CUSTOMER: GENERAL MARKET

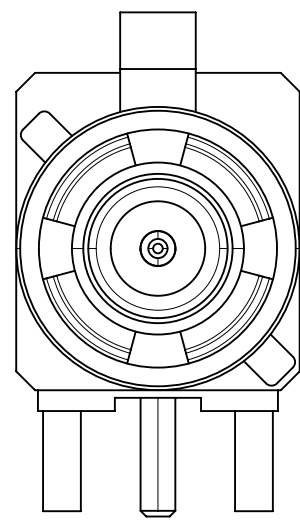
SHEET NUMBER: 1 OF 2



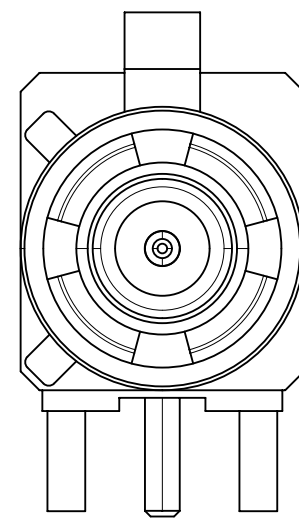
CODE A



CODE B

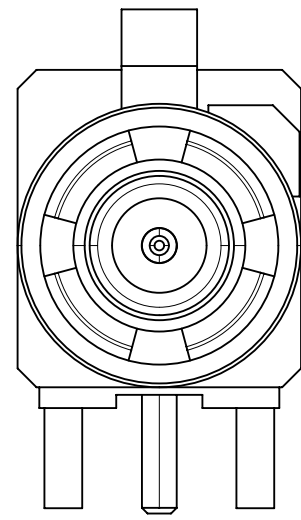


CODE C

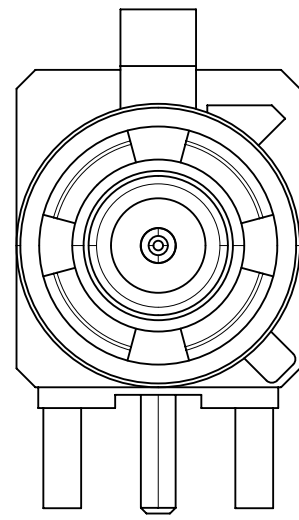


CODE D

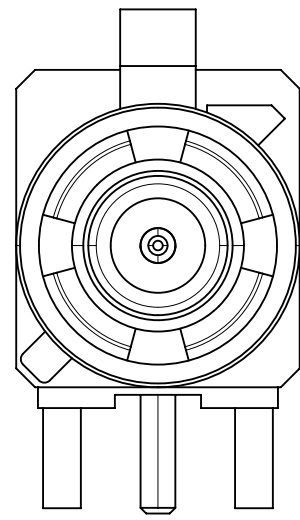
|             |                |            |
|-------------|----------------|------------|
| N           | PASTEL GREEN   | 73403-5123 |
| M           | PASTEL ORANGE  | 73403-5122 |
| L           | CARMINE RED    | 73403-5121 |
| Z           | WATER BLUE     | 73403-5120 |
| K           | CURRY YELLOW   | 73403-5119 |
| I           | BEIGN          | 73403-5118 |
| H           | VIOLET         | 73403-5117 |
| G           | GRAY           | 73403-5116 |
| F           | BROWN          | 73403-5115 |
| E           | GREEN          | 73403-5114 |
| D           | BORDEAUXVIOLET | 73403-5113 |
| C           | BLUE           | 73403-5112 |
| B           | SINGLE WHITE   | 73403-5111 |
| A           | BLACK          | 73403-5110 |
| KEYING CODE | COLOR          | PART NO.   |



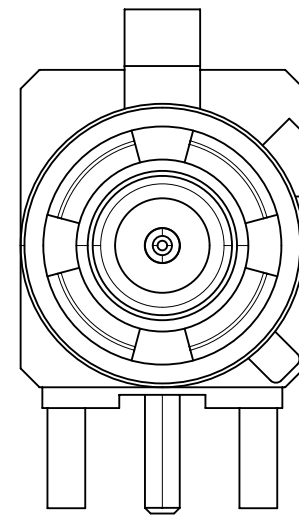
CODE E



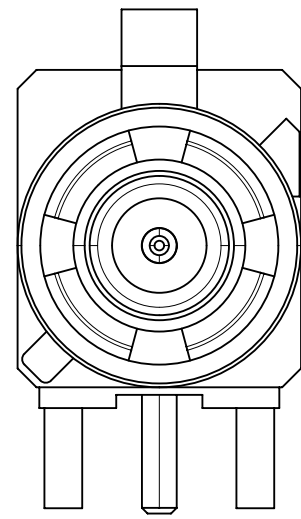
CODE F



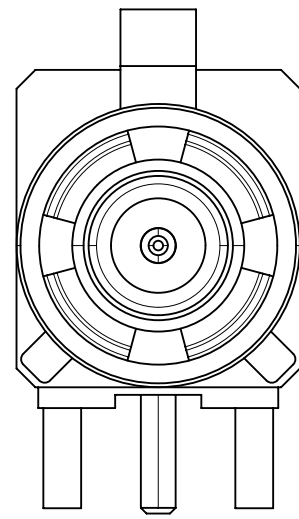
CODE G



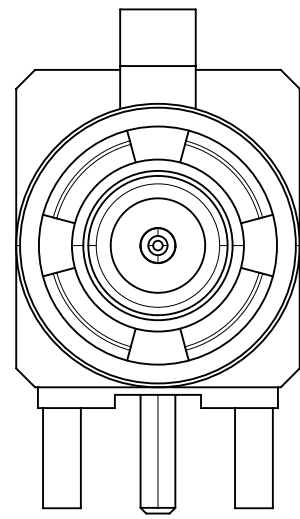
CODE H



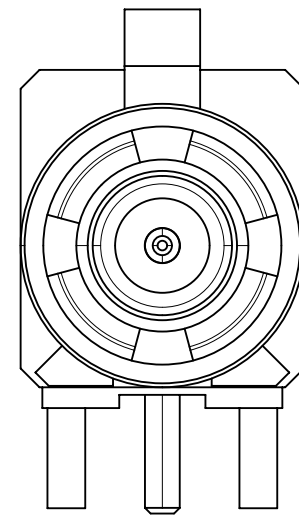
CODE I



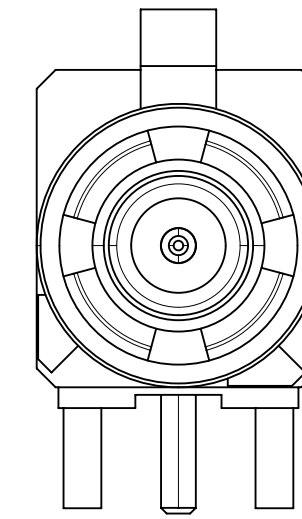
CODE K



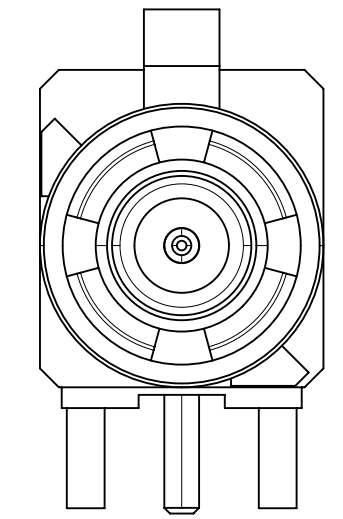
CODE Z



CODE L



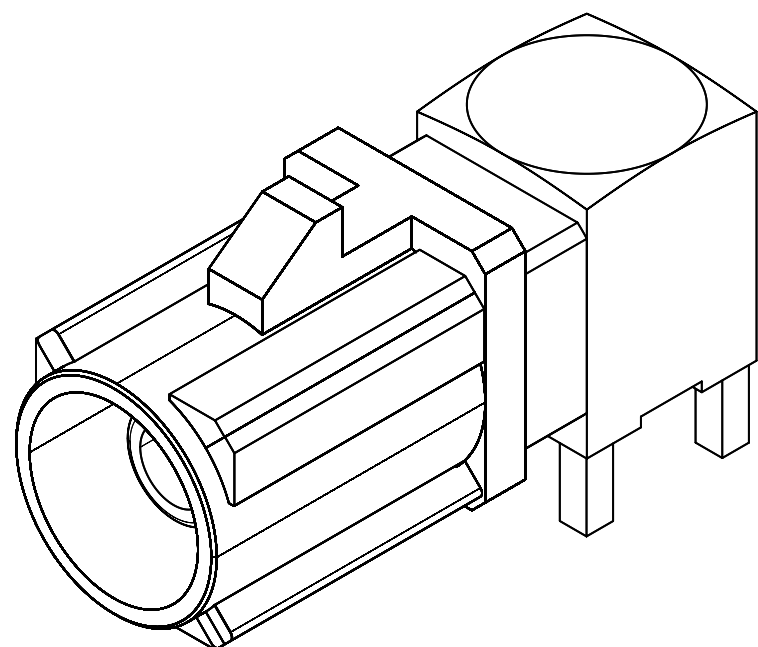
CODE M



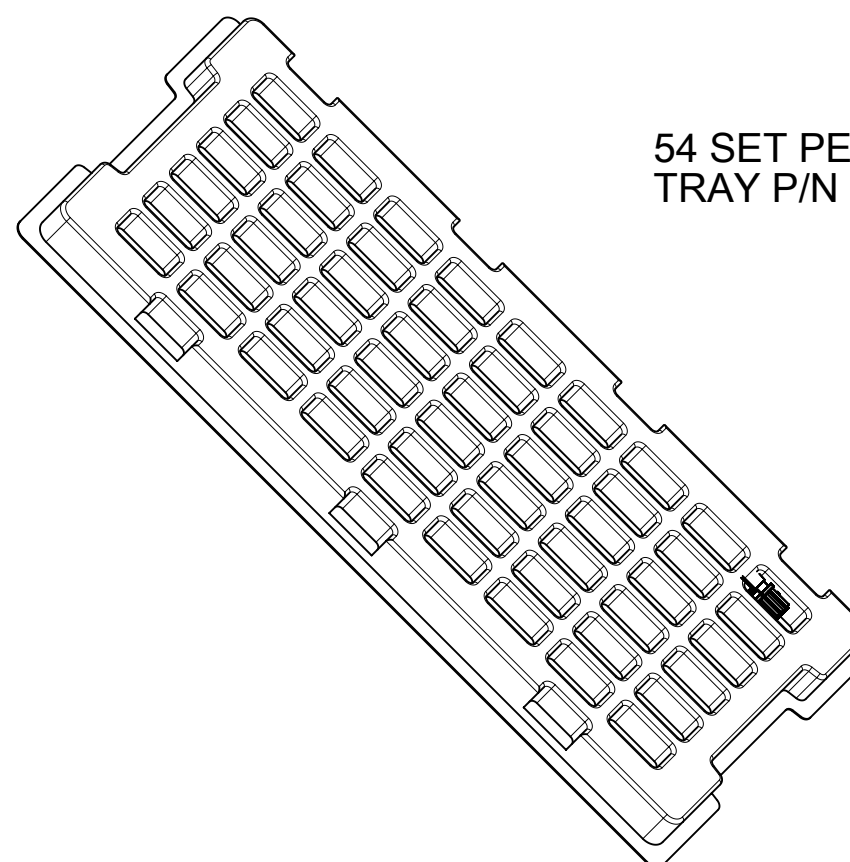
CODE N

|  |   |       |                   |                        |  |   |              |          |          |
|--|---|-------|-------------------|------------------------|--|---|--------------|----------|----------|
| <b>SYMBOLS</b><br>▽ = 0<br>▽ = 0<br>▽ = 0<br>▽ = 0<br>▽ = 0<br>▽ = 0<br>▽ = 0<br>▽ = 0<br>▽ = 0<br>▽ = 0 | THIS DRAWING CONTAINS INFORMATION THAT IS PROPRIETARY TO MOLEX ELECTRONIC TECHNOLOGIES, LLC AND SHOULD NOT BE USED WITHOUT WRITTEN PERMISSION |       | CURRENT REV DESC: |                        |  |   |              |          |          |
|  | DIMENSION UNITS   | SCALE |                   |                        |  | EC NO: 173804<br>DRWN: ELIN 2018/03/19<br>CHK'D: YCHENG 2018/03/23<br>APPR: YCHENG 2018/03/23 |              |          |          |
|  | HYBRID  | 5:1   |                   |                        |  |   |              |          |          |
|  | GENERAL TOLERANCES (UNLESS SPECIFIED)   |       |                   |                        | INITIAL REVISION:<br>DRWN: SCHOU 2009/01/21<br>APPR: MHUANG 2009/01/23 | DOCUMENT NUMBER<br><b>SD-73403-511</b>  | DOC TYPE     | DOC PART | REVISION |
|  | ANGULAR TOL ± 2.0°  |       |                   |                        |  | MATERIAL NUMBER<br>GENERAL MARKET   | PSD          | 001      | A7       |
|  | 4 PLACES ±  |       |                   | THIRD ANGLE PROJECTION | DRAWING  | SERIES  | SHEET NUMBER |          |          |
|  | 3 PLACES ±  |       |                   |                        | C-SIZE   | 73403   | 2 OF 2       |          |          |
|  | 2 PLACES ±  |       |                   |                        |  |   |              |          |          |
|  | 1 PLACE ±   |       |                   |                        |  |   |              |          |          |
|  | 0 PLACES ±  |       |                   |                        |  |   |              |          |          |
| DRAFT WHERE APPLICABLE MUST REMAIN WITHIN DIMENSIONS   |   |       |                   |                        |  |   |              |          |          |

PN 73403-511X

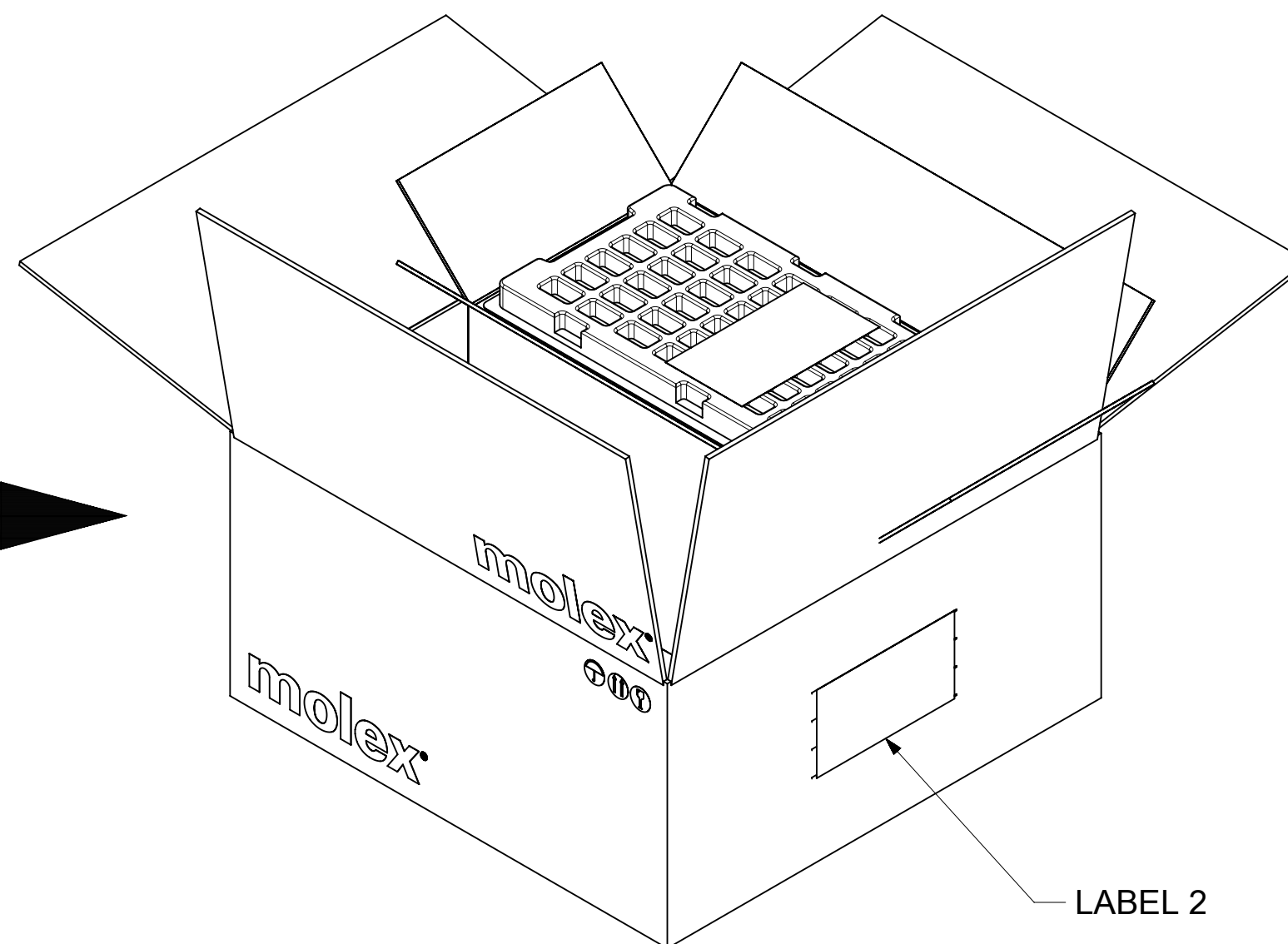
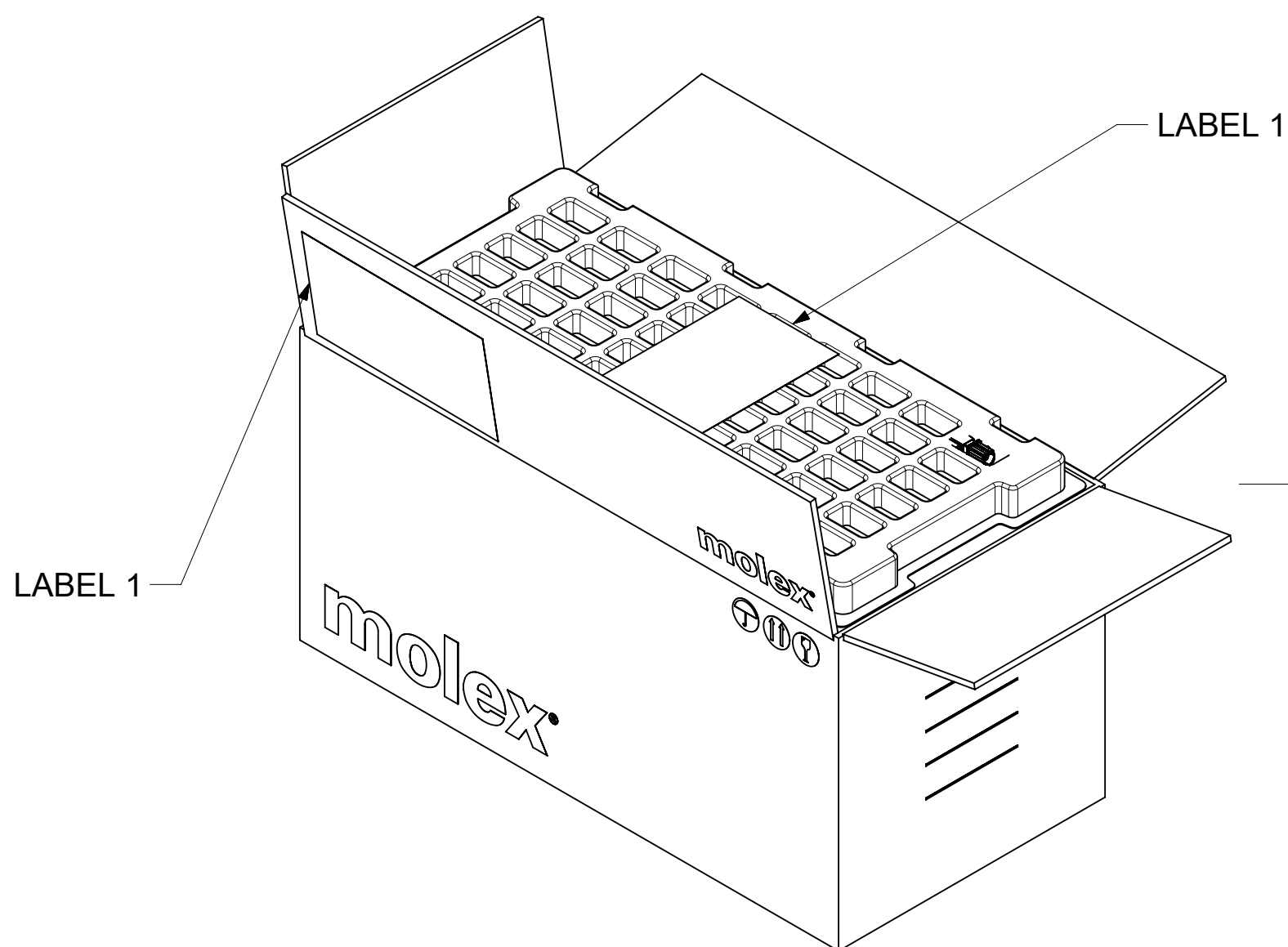


54 SET PER TRAY  
TRAY P/N 89707-0220



540 SET PER INNER  
CARTON BOX  
P/N 96707-0001

1080 SET PER OUTER  
CARTON BOX  
P/N 96708-0005





|                 |   |   |                        |                 |                  |            |                          |                 |              |
|-----------------|---|---|------------------------|-----------------|------------------|------------|--------------------------|-----------------|--------------|
| QUALITY SYMBOLS |   | THIS DRAWING CONTAINS INFORMATION THAT IS PROPRIETARY TO MOLEX ELECTRONIC TECHNOLOGIES, LLC AND SHOULD NOT BE USED WITHOUT WRITTEN PERMISSION |                        |                 |                  |            |                          |                 |              |
| ▽ = 0           | EC NO: 169042<br>DRWN: SH001<br>CHKD: YCHENG<br>APPR: B | GENERAL TOLERANCES (UNLESS SPECIFIED)   |                        | DIMENSION UNITS | SCALE            |            |                          |                 |              |
| ▽ = 0           |   | ANGULAR TOL ± 2.0 °   |                        | HYBRID          | 1:1              |            | PACKAGING FOR 73403-511X |                 |              |
| ▽ = 0           |   | 4 PLACES ±  | 3 PLACES ±             | DRWN BY         | DATE             |            |                          |                 |              |
| ▽ = 0           |   | 2017/11/23  | 2017/12/08             | 2 PLACES ±      | SCHOU            | 2009/05/12 | PRODUCT CUSTOMER DRAWING |                 |              |
| ▽ = 0           |   | 1 PLACE ±   | 0 PLACES ±             | CHKD BY         | DATE             |            |                          |                 |              |
| ▽ = 0           |   | DRWA  | DRWN                   | 1 PLACE ±       | MHUANG           | 2009/05/19 | SERIES                   | MATERIAL NUMBER | CUSTOMER     |
| ▽ = 0           | DRWA  | DRWN  | 0 PLACES ±             | DRAWING SIZE    |                  | 73403      | GENERAL MARKET           |                 |              |
| ▽ = 0           | DRAFT WHERE APPLICABLE MUST REMAIN WITHIN DIMENSIONS    |   | THIRD ANGLE PROJECTION |                 | DOCUMENT NUMBER  |            | DOC TYPE                 | DOC PART        | SHEET NUMBER |
| ▽ = 0           | C   |   |                        |                 | SD-73403-511-PKG |            | PSD                      | 001             | 1 OF 2       |

LABEL 1

|   |              |  |      |
|---|--------------|--|------|
| (1P) PART NUMBER  | XXXXXXXXXXXX | (9D) DATE CODE   | YYWW |
| DESCRIPTION   |              | SMB JACK FAKRA R/A PCB 50 OHM  |      |
| (Q) QUANTITY  | 540          | <br>www.molex.com |      |
| (4L) COUNTRY OF ORIGIN  | Taiwan       |  |      |
| (12D) INV CTRL DATE   | YYYY/MM/DD   |                   |      |
| (1T) TRACEABILITY   | XXXXXXXXXXXX |  |      |
| RoHS Compliant with Exemption<br>REACH SVHC information - see www.molex.com |              | Low-Halogen  |      |
| 1 of 1  | OPERATOR:    | 17.11.23   |      |
| MOLEX TAIWAN LTD. / DANSHUI, NEW TAIPEI CITY, TAIWAN 25144                  |              |  |      |

LABEL 2

|   |              |  |      |
|---|--------------|--|------|
| (1P) PART NUMBER  | XXXXXXXXXXXX | (9D) DATE CODE   | YYWW |
| DESCRIPTION   |              | SMB JACK FAKRA R/A PCB 50 OHM  |      |
| (Q) QUANTITY  | 1080         | <br>www.molex.com |      |
| (4L) COUNTRY OF ORIGIN  | Taiwan       |  |      |
| (12D) INV CTRL DATE   | YYYY/MM/DD   |                   |      |
| (1T) TRACEABILITY   | XXXXXXXXXXXX |  |      |
| RoHS Compliant with Exemption<br>REACH SVHC information - see www.molex.com |              | Low-Halogen  |      |
| 1 of 1  | OPERATOR:    | 17.11.23   |      |
| MOLEX TAIWAN LTD. / DANSHUI, NEW TAIPEI CITY, TAIWAN 25144                  |              |  |      |

|   |                                       |        |  |                |                 |              |  |  |  |
|---|---------------------------------------|--------|--|----------------|-----------------|--------------|--|--|--|
| THIS DRAWING CONTAINS INFORMATION THAT IS PROPRIETARY TO MOLEX ELECTRONIC TECHNOLOGIES, LLC AND SHOULD NOT BE USED WITHOUT WRITTEN PERMISSION |                                       |        |  |                |                 |              |  |  |  |
| <b>SYMBOLS</b><br>▽ = 0<br>▽ = 0<br>▽ = 0<br>▽ = 0<br>▽ = 0<br>▽ = 0<br>▽ = 0<br>▽ = 0<br>▽ = 0<br>▽ = 0                                      | DIMENSION UNITS                       | SCALE  | CURRENT REV DESC:                                    |                |                 |              |  |  |  |
|   | HYBRID                                | 1:1    | EC NO: 169042  |                |                 |              |  |  |  |
|   | GENERAL TOLERANCES (UNLESS SPECIFIED) |        | DRWN: SHO01 2017/11/23                               |                |                 |              |  |  |  |
|   | ANGULAR TOL ± 2.0°                    |        | CHK'D:   |                |                 |              |  |  |  |
|   | 4 PLACES ±                            |        | APPR: YCHENG 2017/12/08                              |                |                 |              |  |  |  |
|   | 3 PLACES ±                            |        | INITIAL REVISION:                                    |                |                 |              |  |  |  |
|   | 2 PLACES ±                            |        | DRWN: SCHOU 2009/05/12                               |                |                 |              |  |  |  |
|   | 1 PLACE ±                             |        | APPR: MHUANG 2009/05/19                              |                |                 |              |  |  |  |
|   | 0 PLACES ±                            |        | DRAFT WHERE APPLICABLE MUST REMAIN WITHIN DIMENSIONS |                |                 |              |  |  |  |
|   | THIRD ANGLE PROJECTION                |        | DRAWING  | SERIES         | MATERIAL NUMBER |              |  |  |  |
| #####   |                                       | C-SIZE | 73403  | CUSTOMER       |                 | SHEET NUMBER |  |  |  |
|   |                                       |        |  | GENERAL MARKET |                 | 2 OF 2       |  |  |  |

**molex**

PACKAGING FOR 73403-511X

PRODUCT CUSTOMER DRAWING

|                  |          |          |          |
|------------------|----------|----------|----------|
| DOCUMENT NUMBER  | DOC TYPE | DOC PART | REVISION |
| SD-73403-511-PKG | PSD      | 001      | B        |