

DATA SHEET

**CURRENT SENSOR - LOW TCR
AUTOMOTIVE GRADE**

PA1206_L series

5%, 1%

RoHS compliant & Halogen free



SCOPE

This specification describes PA series current sensor - low TCR with lead-free terminations made by metal substrate.

APPLICATIONS

- Consumer goods
- Computer
- Telecom / Datacom
- Industrial / Power supply
- Alternative Energy
- Car electronics

FEATURES

- AEC-Q200 qualified
- Halogen-free Epoxy
- RoHS compliant
- Reduce environmentally hazardous wastes
- High component and equipment reliability
- Non-forbidden materials used in products/production
- Low resistances applied to current sensing

ORDERING INFORMATION - GLOBAL PART NUMBER

Global part numbers are identified by the series, size, tolerance, packing type, temperature coefficient, taping reel and resistance value.

GLOBAL PART NUMBER

PA XXXX X X X XX XXXX L
(1) (2) (3) (4) (5) (6) (7)

(1) SIZE

1206

(2) TOLERANCE

D = ±0.5% (for 5mΩ and up)
 F = ±1%
 J = ±5%

(3) PACKAGING TYPE

R = Paper taping reel

(4) TEMPERATURE COEFFICIENT OF RESISTANCE

F = ± 100ppm/°C
 M = ± 75ppm/°C
 E = ± 50ppm/°C

(5) TAPING REEL

07 = 7 inch dia. Reel & standard power (1/4W)
 7W = 7 inch dia. Reel & 2 x standard power (1/2W)
 47 = 7 inch dia. Reel & 4 x standard power (1W)
 67 = 7 inch dia. Reel & 6 x standard power (1.5W)

(6) RESISTANCE VALUE

1 mΩ to 50 mΩ

(7) DEFAULT CODE

Letter L is the system default code for ordering only. (Note)

| Resistance code rule | Example |
|----------------------|---------------|
| 0RXXX | 0R001 = 1 mΩ |
| (1 to 50mΩ) | 0R015 = 15 mΩ |

ORDERING EXAMPLE

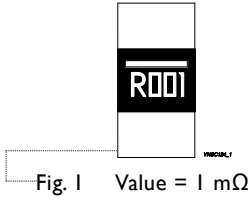
The ordering code of a PA1206 1/4W chip resistor, TC100, value 0.003Ω with ±1% tolerance, supplied in 7-inch tape reel is : PA1206FRF070R003L

NOTE

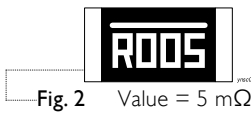
1. All our RChip products are RoHS compliant. "LFP" of the internal 2D reel label mentions "Lead-Free Process"

MARKING

PA1206



4 digits
The “R” is used as a decimal point; the other 3 digits are significant
PA1206: 1mΩ



4 digits
The “R” is used as a decimal point; the other 3 digits are significant
PA1206: 2mΩ to 50mΩ

CONSTRUCTION

The resistors are constructed using outstanding TCR level material, which makes Yageo PA resistors excellent for current sensing application in battery charger circuit & DC-DC converter.

The composition of the resistive material is adjusted to give the approximate required resistance and is covered with a protective coating. Marking is printed on the top side of the resistor.

Finally, the three external terminations (Cu / Ni / matte Tin) are added, as shown in Fig. 3.

Outlines

For dimensions, please refer to Table I

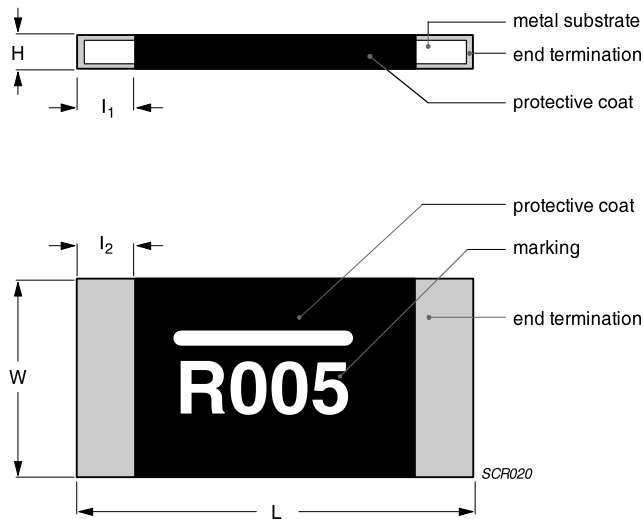


Fig. 3 Chip resistor outlines

DIMENSION

Table 1 For outlines, please refer to Fig. 3

| TYPE | RESISTANCE RANGE | POWER RATING | L (mm) | W (mm) | H (mm) | I ₁ (mm) | I ₂ (mm) |
|--------|------------------|--------------------|-------------|-----------|-----------|---------------------|---------------------|
| PA1206 | 1mΩ | 1/4W | 3.20 ± 0.25 | 1.60±0.25 | 0.65±0.25 | 1.04±0.25 | 1.04±0.25 |
| | 2mΩ ≤ R ≤ 5mΩ | 1/2W | 3.20 ± 0.25 | 1.60±0.25 | 0.65±0.25 | 0.64±0.25 | 0.64±0.25 |
| | 6mΩ ≤ R ≤ 50mΩ | 1W 1.5W (1~5mΩ) | 3.20 ± 0.25 | 1.60±0.25 | 0.65±0.25 | 0.51±0.25 | 0.51±0.25 |

Note:

1. For relevant physical dimensions, please refer to construction outlines.
2. Please contact with sales offices, distributors and representatives in your region before ordering.

ELECTRICAL CHARACTERISTICS

Table 2

| SERIES | SIZE | POWER RATING | TOLERANCE | RESISTANCE RANGE | TEMPERATURE COEFFICIENT OF RESISTANCE |
|--------|------|--------------|------------|------------------|---------------------------------------|
| PA | 1206 | 1/4W | ±1% ±5% | 1mΩ ≤ R ≤ 2mΩ | ±75ppm/°C, ±100ppm/°C |
| | | 1/2W | | 3mΩ ≤ R ≤ 50mΩ | ±50ppm/°C, ±75ppm/°C, ±100ppm/°C |
| | | 1W | | 1mΩ ≤ R ≤ 2mΩ | ±75ppm/°C, ±100ppm/°C |
| | | 1.5W | | 3mΩ ≤ R ≤ 5mΩ | ±50ppm/°C, ±75ppm/°C, ±100ppm/°C |

Note: Please contact with sales offices, distributors and representatives in your region before ordering.

FUNCTIONAL DESCRIPTION

OPERATING TEMPERATURE RANGE

PA1206 Range: -55°C to +170°C

POWER RATING

Standard rated power at 70°C:

For detail power value, please refer to Table 2.

RATED VOLTAGE

The DC or AC (rms) continuous working voltage corresponding to the rated power is determined by the following formula:

$$V = \sqrt{P \times R}$$

Where

V = Continuous rated DC or AC (rms) working voltage (V)

P = Rated power (W)

R = Resistance value (Ω)

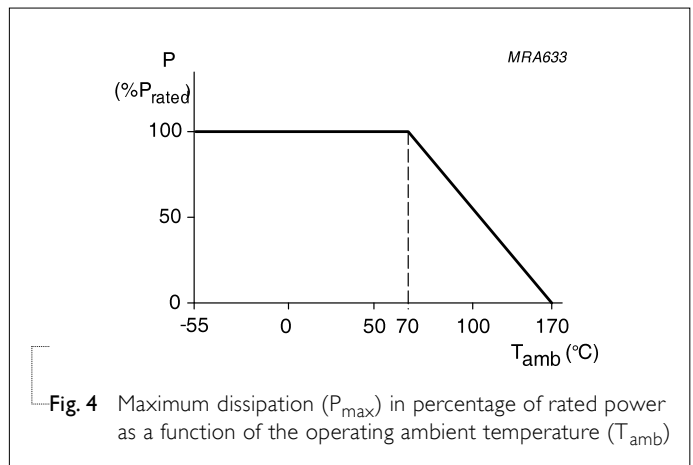


Fig. 4 Maximum dissipation (P_{max}) in percentage of rated power as a function of the operating ambient temperature (T_{amb})

PACKING STYLE AND PACKAGING QUANTITY

Table 3 Packing style and packaging quantity

| PACKING STYLE | REEL DIMENSION | PA1206 |
|-----------------------|----------------|--------|
| Paper Taping Reel (R) | 7" (178 mm) | 4,000 |

EMBOSSED TAPE

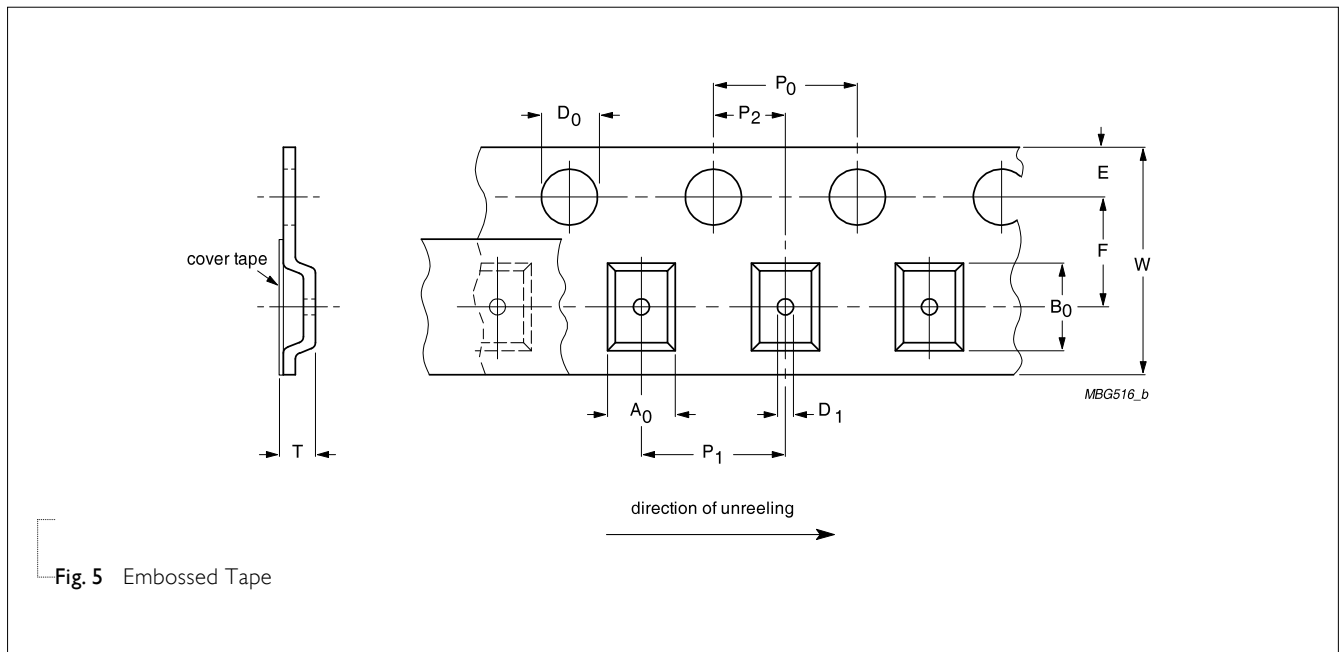


Fig. 5 Embossed Tape

Table 4 Dimensions of embossed tape for relevant chip resistors size

| SIZE | SYMBOL | | | | | | | | | | Unit: mm |
|---------------|----------------|----------------|-----------|-----------|-----------|----------------|----------------|----------------|-----------------|-----------------|-----------|
| | A ₀ | B ₀ | W | E | F | P ₀ | P ₁ | P ₂ | ØD ₀ | ØD ₁ | T |
| PA1206 | 1.90±0.10 | 3.50±0.10 | 8.00±0.30 | 1.75±0.10 | 3.50±0.10 | 4.00±0.10 | 4.00±0.10 | 2.00±0.10 | 1.55±0.05 | 1.50±0.10 | 1.50±0.10 |

REEL SPECIFICATION

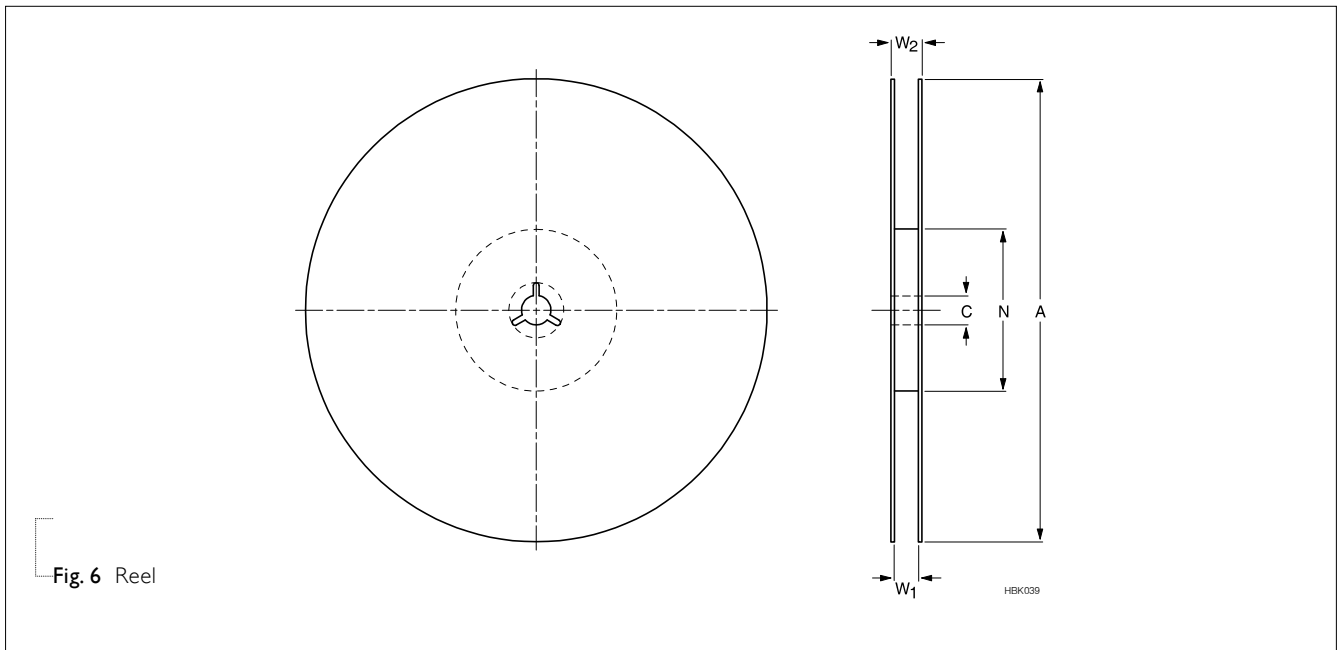


Fig. 6 Reel

Table 5 Dimensions of reel specification for relevant chip resistors size

| SIZE | QUANTITY PER REEL | REEL SIZE | | SYMBOL | | | | Unit: mm | |
|--------|-------------------|----------------|-----------------|------------|-----------|-----------|----------|----------------|---------------------|
| | | 8 mm TAPE WIDE | 12 mm TAPE WIDE | A | N | C | D | W ₁ | W ₂ MAX. |
| PA1206 | 4000 | -- | 7" (∅178 mm) | 180.0+0/-3 | 60.0+1/-0 | 13.0± 0.2 | 21.0±0.8 | 8.4 +1/-0 | 12.4 |

LEADER/TRAILER TAPE SPECIFICATION

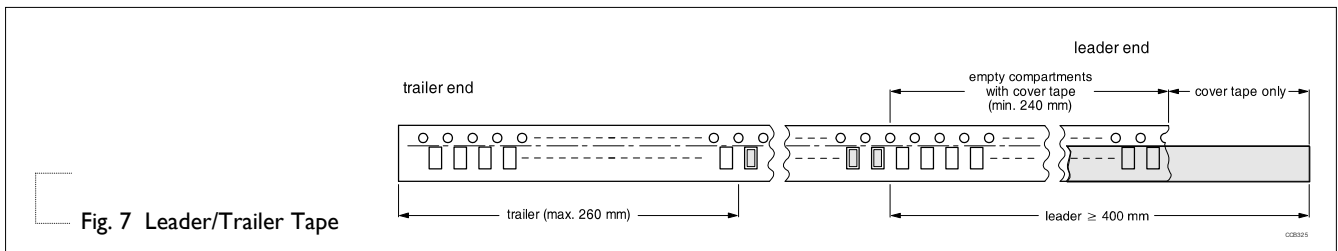


Fig. 7 Leader/Trailer Tape

FOOTPRINT AND SOLDERING PROFILES

For recommended soldering profiles, please refer to data sheet “Chip resistors mounting”.

FOOTPRINT

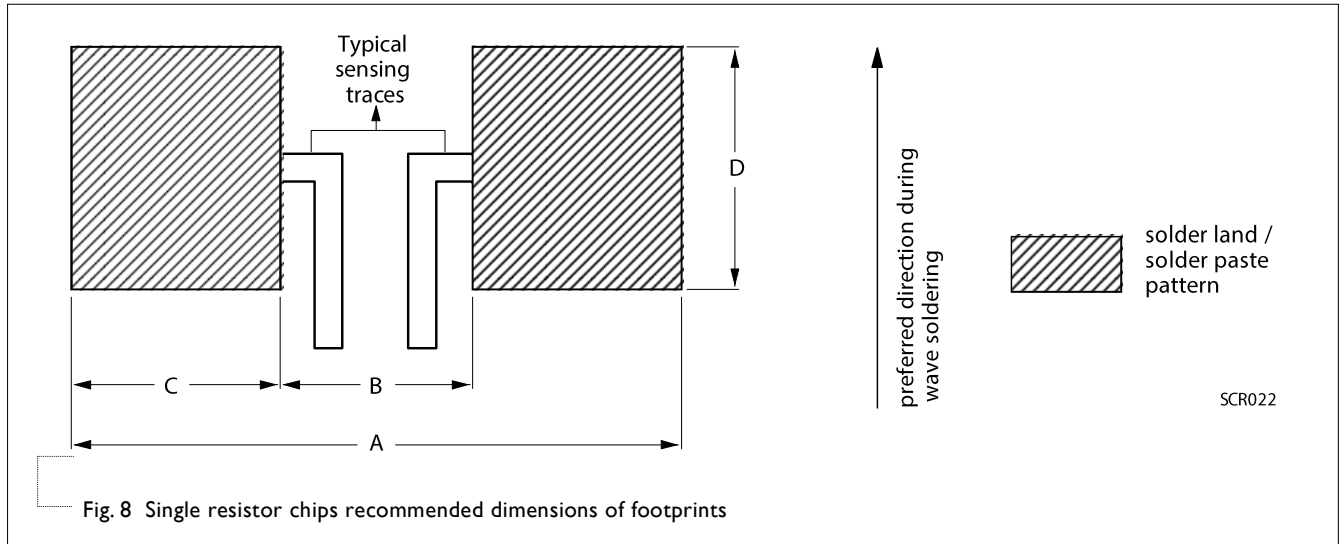


Table 6 Footprint dimensions

| SIZE | RESISTANCE RANGE | Unit: mm | | | |
|--------|--|----------|------|------|------|
| | | A | B | C | D |
| PA1206 | $1\text{m}\Omega \leq R \leq 50\text{m}\Omega$ | 3.90 | 0.76 | 1.57 | 1.78 |

TESTS AND REQUIREMENTS

Table 7 Test condition, procedure and requirements

| TEST | TEST METHOD | PROCEDURE | REQUIREMENT |
|------------------------------|------------------------|---|--|
| Short time overload | IEC60115-1 4.13 | 5 times of rated power for 5 seconds at room temperature | $\pm(0.5\%+0.0005\Omega)$ No visible damage |
| High Temperature Exposure | MIL-STD-202-Method 108 | 1,000 hours at maximum operating temperature depending on specification, unpowered No direct impingement of forced air to the parts Tolerances: $170\pm 3^{\circ}\text{C}$ | $\pm(1.0\%+0.0005\Omega)$ |
| Temperature Cycling | JESD22-A104C | 1,000 cycles, $-55/+125^{\circ}\text{C}$ for 1 cycle per hour | $\pm(0.5\%+0.0005\Omega)$ |
| Moisture Resistance | MIL-STD-202-Method 106 | Each temperature / humidity cycle is defined at 8 hours (method 106F), 3 cycles / 24 hours for 10d with 25°C / 65°C 95% R.H, without steps 7a & 7b, unpowered | $\pm(0.5\%+0.0005\Omega)$ |
| Biased Humidity | MIL-STD-202 Method 103 | 1,000 hours; 85°C / 85% RH 10% of operating power | $\pm(0.5\%+0.0005\Omega)$ |
| Operational Life/ Endurance | MIL-STD-202-Method 108 | 1,000 hours at $125\pm 3^{\circ}\text{C}$, de-rated voltage applied for 1.5 hours on, 0.5 hour off, still-air required | $\pm(1.0\%+0.0005\Omega)$ |
| | | 1,000 hours at $70\pm 2^{\circ}\text{C}$ applied RCWV 1.5 hours on, 0.5 hour off, still air required | $\pm(1.0\%+0.0005\Omega)$ |
| Resistance to Solvents | MIL-STD-202 Method 215 | Immerse in isopropyl alcohol for 5 min with ultrasonic at room temperature | No Visible damage |
| Mechanical Shock | MIL-STD-202 Method 213 | Three shocks in each direction shall be applied along the three mutually perpendicular axes of the test specimen. Peak value: 100 g's Duration: 6 ms Velocity change: 12.3 ft/s Waveform: Half sine | $\pm(0.5\%+0.0005\Omega)$ |
| Vibration | MIL-STD-202 Method 204 | 5 g's for 20 min., 12 cycles each of 3 orientations Test from 10-2000 Hz. | $\pm(0.5\%+0.0005\Omega)$ |
| Resistance to Soldering Heat | MIL-STD-202-method 210 | Condition B, no pre-heat of samples Leadfree solder, 260°C , 10 seconds immersion time Procedure 2 for SMD: devices fluxed and cleaned with isopropanol | $\pm(0.5\%+0.0005\Omega)$ No visible damage |
| Thermal Shock | MIL-STD-202 Method 107 | $-55/+125^{\circ}\text{C}$, Number of cycles is 300. Devices mounted. Maximum transfer time is 20 seconds. Dwell time is 15 minutes. Air -Air | $\pm(0.5\%+0.0005\Omega)$ No visible damage |

| TEST | TEST METHOD | PROCEDURE | REQUIREMENT |
|--|------------------------|---|---|
| Electrostatic Discharge | AEC-Q200-002 | Human Body Model, 1 pos + 1 neg. Discharges 1206=2KV | ±(1.0%+0.0005Ω) No visible damage |
| Solderability - Wetting | J-STD-002B test B | (a) Method B, aging 4 hours at 155°C dry heat, dipping at 235±3°C for 5±0.5 seconds. (b) Method B, steam aging 8 hours, dipping at 215±3°C for 5±0.5 seconds. (c) Method D, steam aging 8 hours, dipping at 260±3 °C for 7±0.5 seconds. | Well tinned (>95% covered) No visible damage |
| Flammability | UL94 | Try to inflame a specimen by a needle flame | No ignition of specimen; V-0 |
| Board Flex / Bending | AEC-Q200-005 | Chips mounted on a 90mm glass epoxy resin PCB (FR4), Bending for 1206=2 mm Holding time: Min.60 seconds | ±(1.0%+0.0005Ω) |
| Terminal Strength (SMD) | AEC-Q200-006 | Applied a 17.7N (1.8Kg) for 60±1 seconds. | ±(1.0%+0.0005Ω) No visible damage |
| Flame Retardance | AEC-Q200-001 | Apply voltage from 9V to 32V to increase the surface temp to 350°C | No flame, no explosion |
| Temperature Coefficient of Resistance (T.C.R.) | MIL-STD-202 Method 304 | At +25/+150°C Formula: $T.C.R = \frac{R_2 - R_1}{R_1(t_2 - t_1)} \times 10^6 (\text{ppm}/^\circ\text{C})$ Where t1=+25°C or specified room temperature t2=+150°C test temperature R1=resistance at reference temperature in ohms R2=resistance at test temperature in ohms | Refer to table 2 |
| Flower-of-Sulfur (FOS) | Modified ASTM B809-95 | Sulfur 105°C, 750 hours, unpowered. | ±(1.0%+0.0005Ω) |

REVISION HISTORY

| REVISION | DATE | CHANGE NOTIFICATION | DESCRIPTION |
|-----------|---------------|---------------------|---|
| Version 2 | Jul. 24, 2017 | - | - Add part number coding details for the relationship between taping reel and rated power |
| Version 1 | May 05, 2017 | - | - Extend resistor value |
| Version 0 | Mar. 31, 2017 | - | - New datasheet for automotive grade current sensor –PA1206_L series. |

“Yageo reserves all the rights for revising the content of this datasheet without further notification, as long as the products itself are unchanged. Any product change will be announced by PCN.”