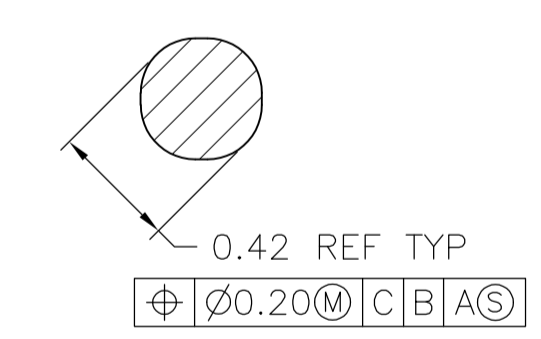
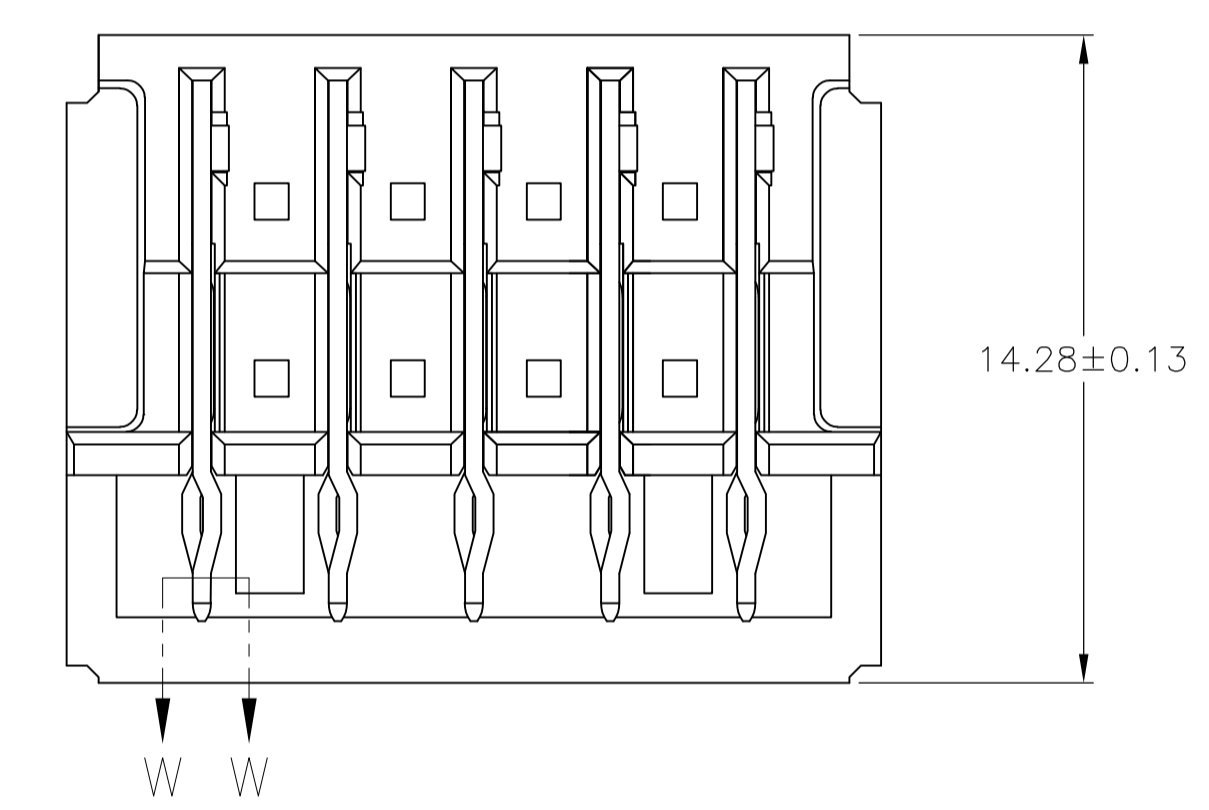
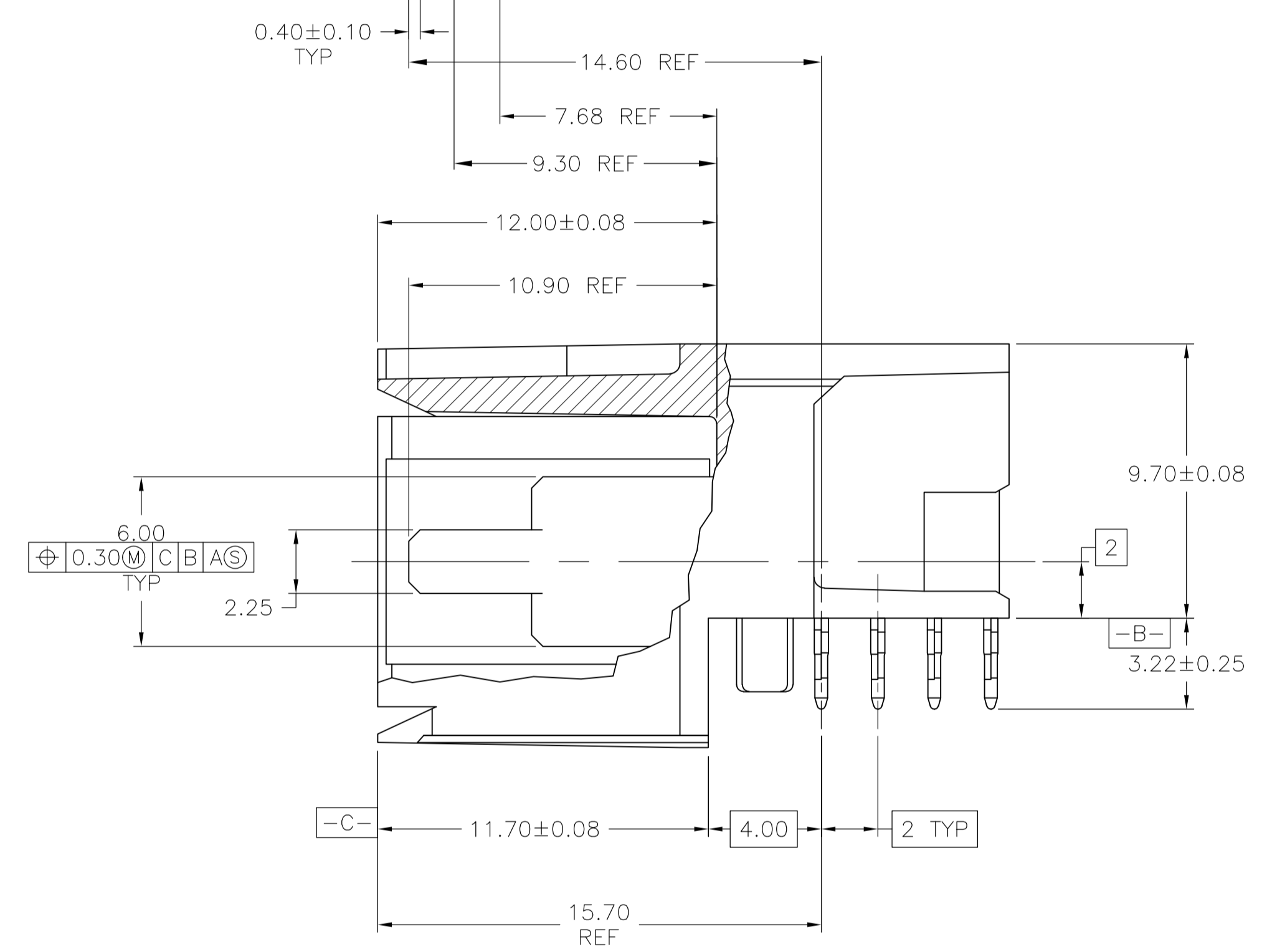
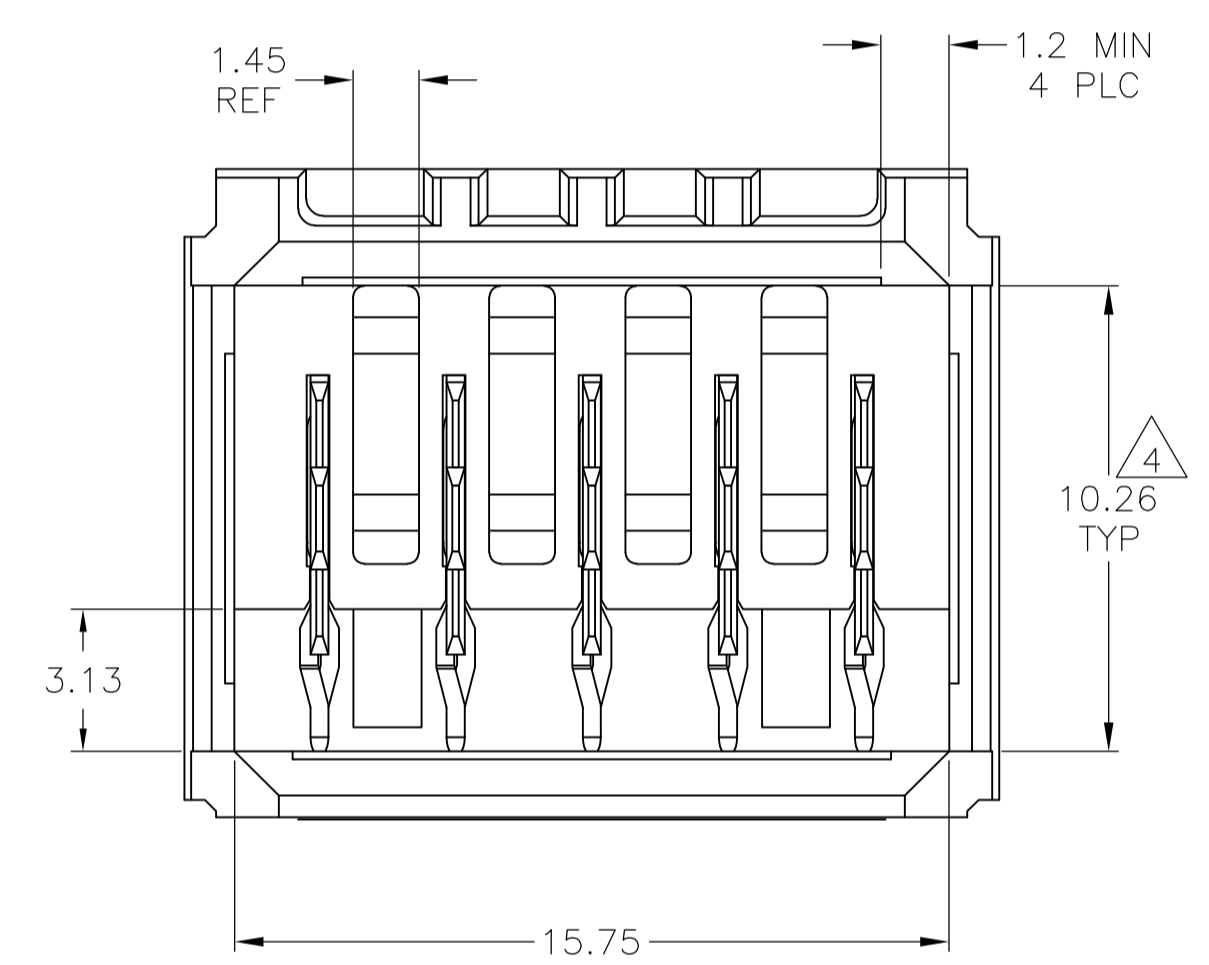
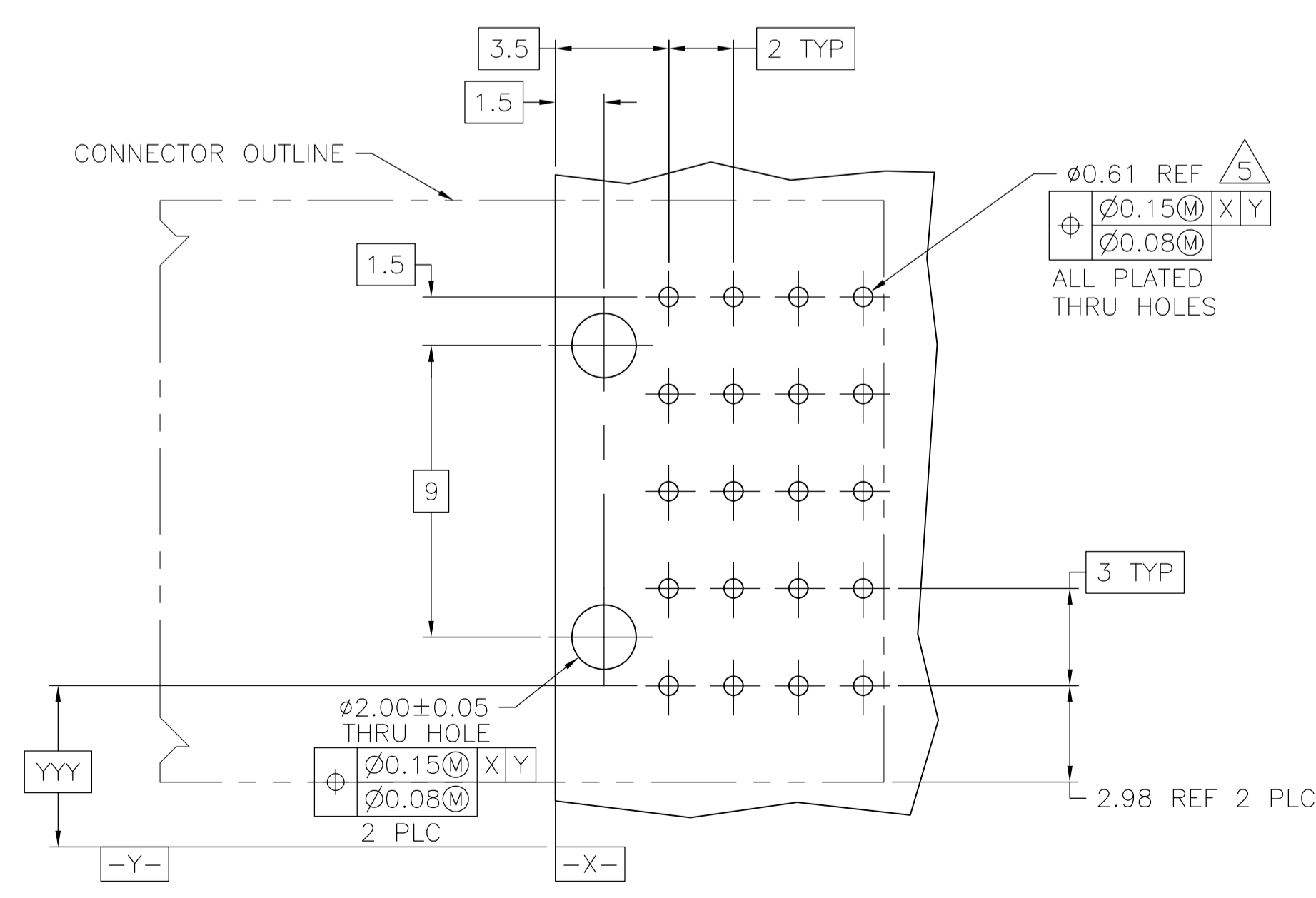


- 1 MATERIAL: HOUSING: POLYESTER, GRAY. UL 94V-0. CONTACT: HIGH CURRENT COPPER ALLOY.
- 2 FINISH: CONTACT MATING AREA: 1.27 μm MIN GOLD OR 0.08 μm MIN GOLD OVER 0.76 μm MIN PALLADIUM-NICKEL. ACTION PIN AREA: 0.5 μm MIN MATTE TIN PLATE, ALL OVER 1.27 μm MIN NICKEL UNDERPLATE.
- 3 FINISH: CONTACT LUBRICATION WITH BELLCORE APPROVED LUBRICANT. TECHNICAL REFERENCE: GR-1217-CORE, ISSUE 1, NOVEMBER 1995.
- 4 10.26 \pm 0.13 DIMENSION APPLIES IN THIS AREA.
- 5 REFERENCE APPLICATION SPEC 114-1103 FOR RECOMMENDED PLATED THRU HOLE DIAMETER AND PLATING THICKNESSES.
6. CURRENT RATING 16A/CONTACT PER PRODUCT SPEC 108-1651.



SECTION W-W
SCALE 40:1



RECOMMENDED PCB HOLE LAYOUT

	B, D	A, C, E	5	120955-3
A, B, D, E	C	-	5	120955-2
	A, B, C, D, E	-	5	120955-1
POSITIONS LOADED WITH 9.30 REF CONTACTS	POSITIONS LOADED WITH 7.68 REF CONTACTS	POSITIONS LOADED WITH 10.90 REF CONTACTS	NUMBER OF LOADED POSITIONS	PART NUMBER

THIS DRAWING IS A CONTROLLED DOCUMENT.		DIN B CARDO 14OCT04	STE TE Connectivity	
DIMENSIONS: mm		CIK R PATTERSON 14OCT04	NAME ASSEMBLY, RIGHT ANGLE HEADER, W/ RETENTION PEGS, UNIVERSAL POWER MODULE	
TOLERANCES UNLESS OTHERWISE SPECIFIED:		APVD R PATTERSON 14OCT04	SIZE CAGE CODE DRAWING NO. RESTRICTED TO	
0 PLC ± -	1 PLC ± -	APPLICATION SPEC	A1 00779	120955
2 PLC ± 0.13	3 PLC ± -	WEIGHT	SCALE 6:1	SHEET 1 OF 1
4 PLC ± -	ANGLES ± -	CUSTOMER DRAWING	REV E2	