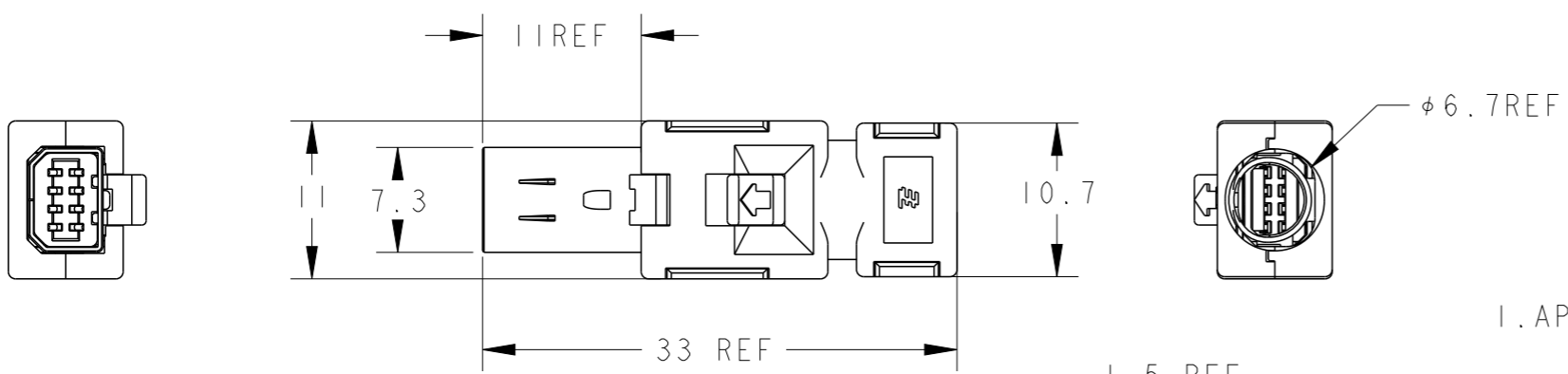


THIS DRAWING IS UNPUBLISHED. RELEASED FOR PUBLICATION 20
COPYRIGHT 20 BY - ALL RIGHTS RESERVED.

REVISIONS

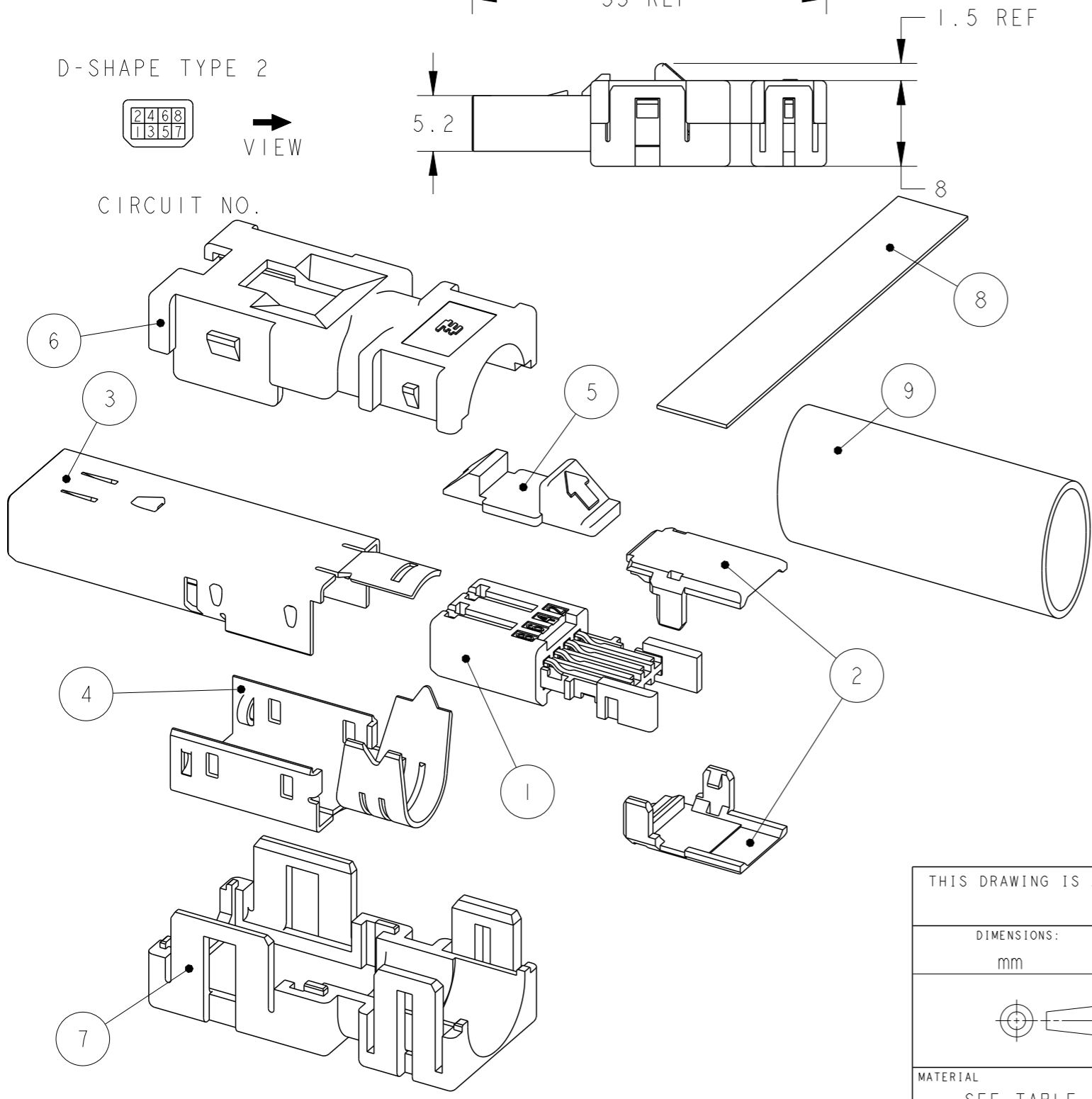
P	LTR	DESCRIPTION	DATE	DWN	APVD
	D	REVISED	09AUG2010	T.S	N.Y
	DI	ECR-18-016368	05SEP2018	GCM	P.P



D-SHAPE TYPE 2
CIRCUIT NO.

2	4	6	8
1	3	5	7

 VIEW



1. APPLICABLE CABLE: RECOMMENDED AWG30~26 X 8C
MAX AWG22 X 4C
OVERALL DIAMETER 6.7MAX.
2. DATE CODE IS DESCRIBED ON THE BUNDLED CUSTOMER DRAWING.
3. THE PRODUCT OF THIS DRAWING NO. IS PACKED INDIVIDUALLY IN PACKAGE OF EXCLUSIVE USE.

REQ'D/ASSY	MATERIAL / FINISH	PART NAME	COLOR	ITEM NO.
1	CROSS-LINKED POLYOLEFIN	HEAT SHRINKABLE TUBE		9
1	ELECTROLYSIS COPPER FOIL, ACRYLIC ADHESIVE MATERIAL	COPPER FOIL TAPE		8
1	POLYESTER OF GLASS FILLED THERMO PLASTIC(UL94V-0)	BOTTOM COVER	YELLOW	7
-	POLYESTER OF GLASS FILLED THERMO PLASTIC(UL94V-0)	BOTTOM COVER	BLACK	
1	POLYESTER OF GLASS FILLED THERMO PLASTIC(UL94V-0)	TOP COVER	YELLOW	6
-	POLYESTER OF GLASS FILLED THERMO PLASTIC(UL94V-0)	TOP COVER	BLACK	
1	POLYESTER OF GLASS FILLED THERMO PLASTIC(UL94V-0)	LOCK EJECTOR		5
-	POLYESTER OF GLASS FILLED THERMO PLASTIC(UL94V-0)	LOCK EJECTOR		
1	STEEL/UNDER:Cu PLATING, TOP:Ni PLATING	BOTTOM SHELL		4
1	STEEL/UNDER:Cu PLATING, TOP:Ni PLATING	TOP SHELL		3
2	POLYESTER OF GLASS FILLED THERMO PLASTIC(UL94V-0)	PLUG HSG COVER		2
1	CONTACT: COPPER ALLOY UNDER ALL SURFACE: Ni PLATING 1.27μmMIN TOP CONTACT AREA: Au PLATING: 0.5μmMIN SOLDERING AREA: Au FLASH HSG: POLY-AMID OF GLASS FILLED THERMO PLASTIC(UL94V-0)	PLUG HSG SUB ASSY		1

THIS DRAWING IS A CONTROLLED DOCUMENT.

DWN S. INOMATA 12NOV2007
CHK I. HASEGAWA 12NOV2007
APVD I. HASEGAWA 12NOV2007

NAME INDUSTRIAL MINI I/O
PLUG CONNECTOR KIT
D-SHAPE TYPE 2

PRODUCT SPEC 108-78405
APPLICATION SPEC 114-5431
WEIGHT -

CUSTOMER DRAWING

SCALE 1:1 SHEET 1 OF 1 REV DI

SIZE A3 CAGE CODE 300779 DRAWING NO. C-2040008 RESTRICTED TO

DIMENSIONS:	TOLERANCES UNLESS OTHERWISE SPECIFIED:
mm	±0.3
Ø PLC	±
1 PLC	±0.5
2 PLC	±0.13
3 PLC	±0.013
4 PLC	±0.0001
ANGLES	±

MATERIAL SEE TABLE FINISH SEE TABLE