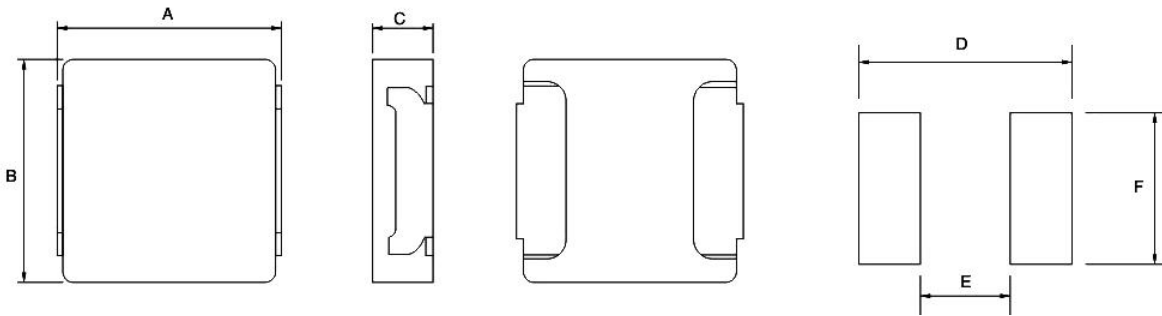


1. External Dimensions (Unit:m/m)



Type	A	B	C	D	E	F	Q'TY/Reel
APS25K12	2.5±0.3	2.0±0.3	1.25Max	2.8Ref	1.2Ref	2.0Ref	3000

2. Part Number Code

$\frac{APS}{A}$ $\frac{25}{B}$ $\frac{K}{C}$ $\frac{12}{D}$ $\frac{M}{E}$ $\frac{1R0}{F}$

A: Series Name Supper Power Inductors
 B: Dimensions(mm) 25: 2.5x2.0
 C: Materials NO use
 D: Thickness(mm) 12: 1.25 Max
 E: Tolerance M: ±20%
 F: Inductance 1R0=1.0uH

3. Electrical Characteristics

Part Number	Inductance (μH)	Test Frequency (MHz)	DC Resistance (mΩ) ± 30%	Heat Rating Current DC(A) Max.	Saturation Current DC(A) Max.
APS25K12M1R0	1.0	1MHz	47.0	2.9	3.5

Notes:

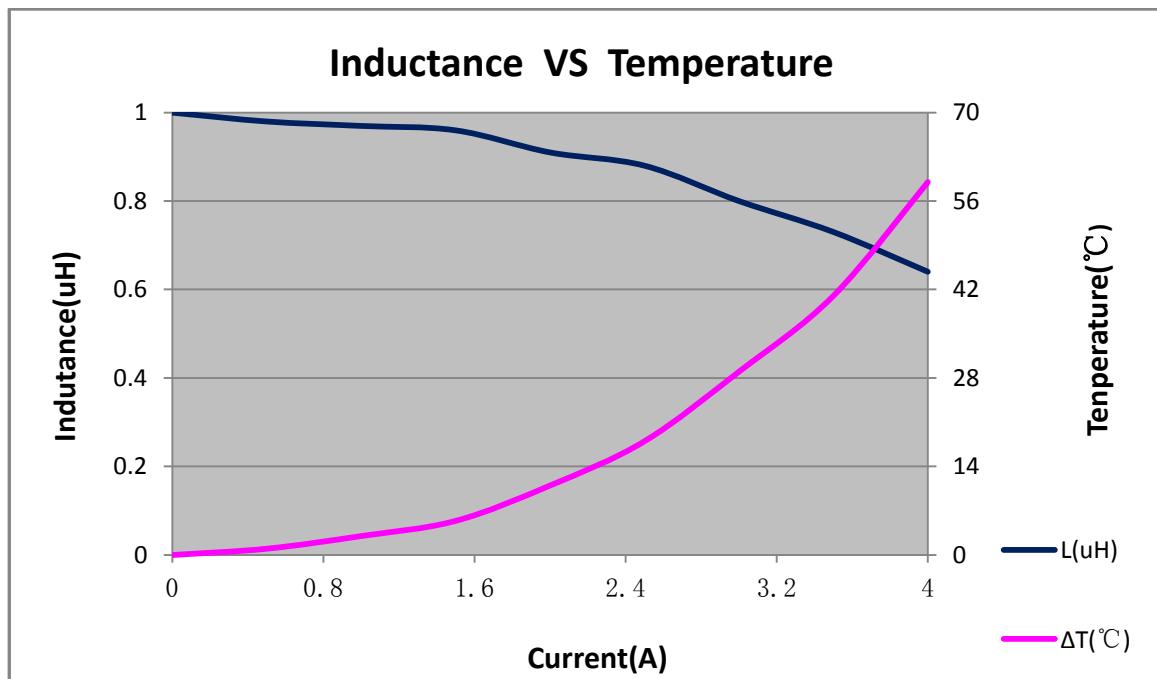
- All test data is referenced to 25°C ambient.
- Operating Temperature Range-40°C to +125°C.
- Irms:DC current(A) that will cause an approximate Δ T of 40°C.
- Isat :DC current(A) that will cause Lo to drop approximately 40%.
- The part temperature(ambient + temp rise)should not exceed 125°C under worst case operating conditions. Circuit design,component placement, PWB trace size and thickness,airflow and other cooling provisions all affect the part temperature, Part temperature should be verified in the end application.

4. Test Data

ELECTRICAL CHARCTERISTIC				MECHANICAL DIMENSIONS				
SPEC	L(uH)	DCR(mΩ)	Isat(uH)	A(mm)	B(mm)	C(mm)	D(mm)	
TOL	1.0	47.0	3.5A	2.5	2.0	1.25	2.8	
NO	±20%	±30%	(LOA-L3.5A) /LOA≤40%	±0.3	±0.3	Max	Ref	
1	1.020	37.7	0.712	2.59	2.05	1.16	OK	
2	1.001	38.5	0.708	2.61	2.10	1.15	OK	
3	0.994	39.6	0.700	2.60	2.11	1.17	OK	
4	1.043	38.2	0.708	2.58	2.10	1.14	OK	
5	0.985	37.4	0.701	2.59	2.06	1.18	OK	
6	0.964	38.5	0.699	2.61	2.10	1.15	OK	
7	0.956	38.6	0.703	2.60	2.11	1.16	OK	
8	1.037	39.3	0.712	2.60	2.10	1.15	OK	
9	1.025	35.4	0.710	2.59	2.07	1.14	OK	
10	0.974	36.5	0.702	2.61	2.06	1.16	OK	

Test Equipmets: IM3536,VR126,VR7210,Calipers

Curve:



5. Test and Measurement Procedures

5.1 Test Conditions

5.1.1 Unless otherwise specified, the standard atmospheric conditions for measurement/test as:

- a. Ambient Temperature: $20 \pm 15^\circ\text{C}$
- b. Relative Humidity: $65\% \pm 20\%$
- c. Air Pressure: 86KPa to 106KPa

5.1.2 If any doubt on the results, measurements/tests should be made within the following limits:

- a. Ambient Temperature: $20 \pm 2^\circ\text{C}$
- b. Relative Humidity: $65\% \pm 5\%$
- c. Air Pressure: 86KPa to 106Kpa

5.2 Visual Examination

- a. Inspection Equipment: 10X magnifier

5.3 Electrical Test

5.3.1 Inductance (L)

- a. Refer to the third item.
- b. Test equipment: IM3536 LCR meter or equivalent.
- c. Test Frequency and Voltage: Refer to the third item.

5.3.2 Direct Current Resistance (DCR)

- a. Refer to the third item.
- b. Test equipment: VR126 or equivalent.

5.3.3 Saturation Current (I_{sat})

- a. Refer to the third item.
- b. Test equipment: Saturation current meter
- c. Definition of saturation current (I_{sat}): DC current at which the inductance drops approximate 40% from its value without current.

5.3.4 Temperature rise current (I_{rms})

- a. Refer to the third item.
- b. Test equipment (see Fig.5.3.4-1): Electric Power, Electric current meter, Thermometer.
- c. Measurement method (see Fig. 5.3.4-1):
 1. Set test current to be 0mA.
 2. Measure initial temperature of choke surface.
 3. Gradually increase current and measure choke temperature for corresponding current.
 4. Definition of Temperature rise current: DC current that causes the temperature rise ($\Delta T = 40^\circ\text{C}$) from 20°C ambient (see Fig. 5.3.4-2).

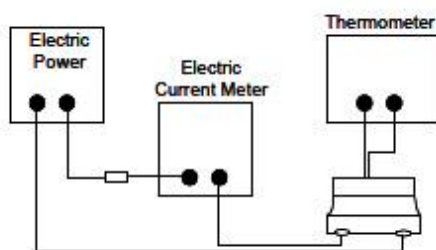


Fig.5.3.4-1

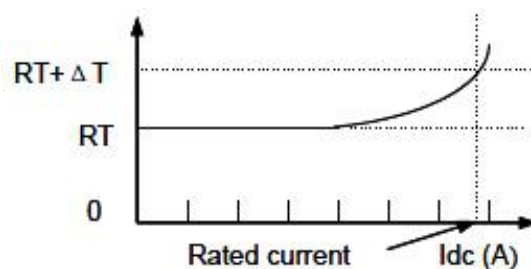
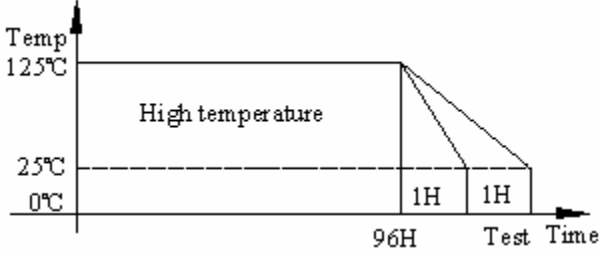
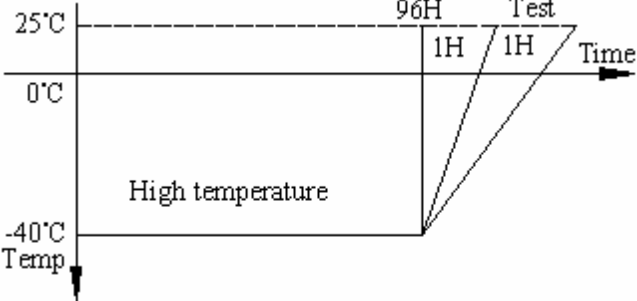
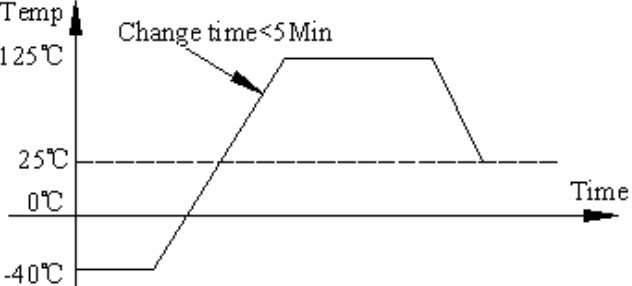


Fig.5.3.4-2

5.4 Reliability Test

Items	Required Characteristics	Test Method/Condition
Solder Ability Test	The surface of terminal immersed shall be minimum of 90% covered with a new coating of solder	<p>After fluxing, component shall be dipped in a melted. Solder: bath at $235^{\circ}\text{C} \pm 5^{\circ}\text{C}$ for 5 ± 0.5 seconds</p>
Heat endurance of Soldering	<ol style="list-style-type: none"> Components should have not evidence of electrical and mechanical damage. Inductance: within $\pm 10\%$ of initial value. Impedance: within $\pm 10\%$ of initial value. 	<ul style="list-style-type: none"> ● Preheat: $150 \pm 5^{\circ}\text{C}$ 60seconds. ● Solder temperature: $250 \pm 5^{\circ}\text{C}$. ● Flux: rosin. ● Dip time: 10 ± 0.5seconds
Terminal Strength	After soldering of X,Y withstanding at below conditions .The terminal should not Peel off. (Refer to figure at below)	<p>Specimen shall be soldered on a PCB and a static force of 17.7N shall be applied on the coil from X - Y directions individually and held for $60 \pm 2\text{S}$</p>
Vibration Test	Inductance change: Within $\pm 10\%$ Without mechanical damage such as break	<ol style="list-style-type: none"> Vibration frequency: (10 Hz to 55 Hz to 10Hz) in 60 seconds as a period Vibration time: Period cycled for 2 hours in each of 3 mutual perpendicular directions. Amplitude: 1.5 mm max.
Drop test	$\Delta L \leq \pm 10.0\%$ change from an initial value	Drop specimen three times on concrete floor from a height Of 1 meter which mounted on test board.

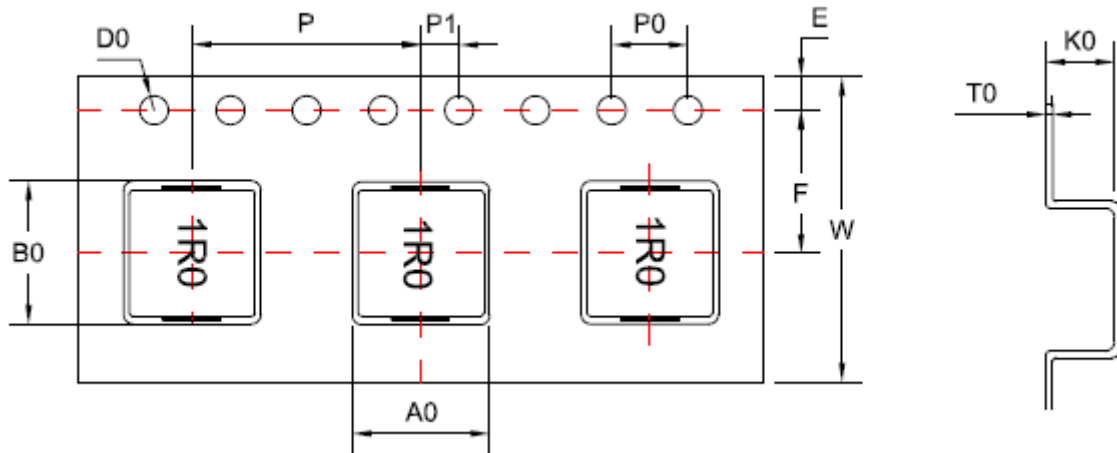
Items	Required Characteristics	Test Method/Condition
High Temperature Storage Test	1. No case deformation or change in appearance 2. $\Delta L/L \leq 10\%$ 3. $\Delta Q/Q \leq 30\%$ 4. $\Delta DCR/DCR \leq 10\%$	Temperature: $125^{\circ}\text{C} \pm 2^{\circ}\text{C}$ Time: 96 ± 2 hours. Tested not less than 1 hour, nor more than 2 hours at room. 
Low Temperature Storage Test	1. No case deformation or change in appearance. 2. $\Delta L/L \leq 10\%$ 3. $\Delta Q/Q \leq 30\%$ 4. $\Delta DCR/DCR \leq 10\%$	Temperature: $-40^{\circ}\text{C} \pm 2^{\circ}\text{C}$ Time: 96 ± 2 hours. Tested not less than 1 hour, nor more than 2 hours at room. 
Humidity Resistance	1. No case deformation or change in appearance. 2. $\Delta L/L \leq 10\%$ 3. $\Delta Q/Q \leq 30\%$ 4. $\Delta DCR/DCR \leq 10\%$	1. Environment condition: $85 \pm 2^{\circ}\text{C}$ Humidity: 80–85% Applied Current: Rated current 2. Duration: $1000 + 4 / -0$ hours
Thermal Shock Test	1. No case deformation or change in appearance. 2. $\Delta L/L \leq 10\%$ 3. $\Delta Q/Q \leq 30\%$ $\Delta DCR/DCR \leq 10\%$	1. Repeat 100 cycles as follow: ($-40 \pm 2^{\circ}\text{C}$; 30 ± 3 min) → (Room temp., 5 min) → ($+125 \pm 2^{\circ}\text{C}$, 30 ± 3 min) → (Room temp., 5 min) 2. Recovery: $48 + 4 / -0$ hours of recovery under the standard condition after the test. 

6. Packaging, Storage

6.1 Tape and Reel Packaging Dimensions

6.1 .1 Taping Dimensions (Unit: mm)

Please refer to Fig. 6.1.1-1



6.1.1-1

TYPE	A0	B0	W	E	F	P0	P	P1	D0	T0	K0
APS25K12	2.4±0.1	2.8±0.1	8.0±0.3	1.75±0.1	3.5±0.1	4.0±0.1	4.0±0.1	2.0±0.1	1.5±0.1	0.3±0.1	1.35±0.1

6.1.2 Reel Dimensions (Unit: mm)

Please refer to Fig. 6.1.2-1.

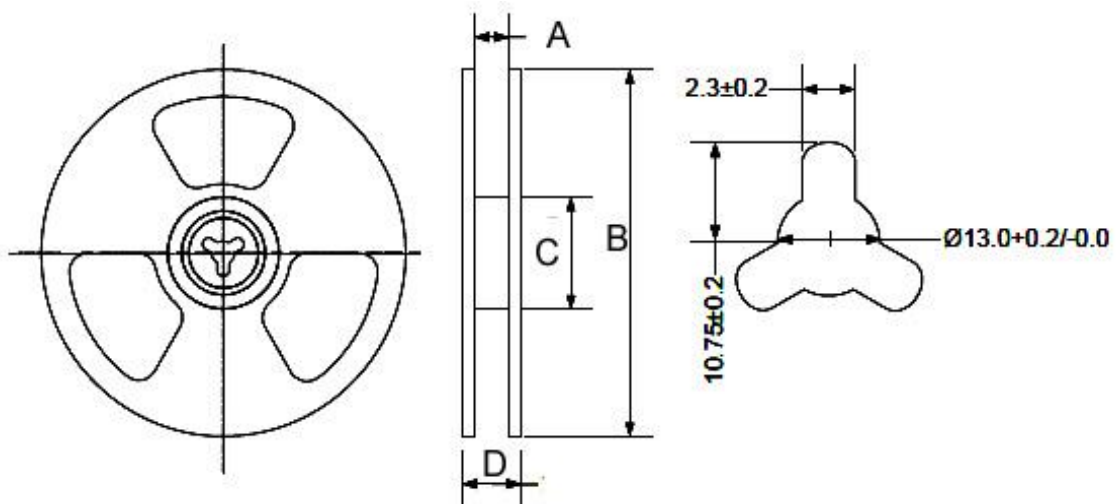


Fig. 6.1.2-1.

TYPE	A	B	C	D
APS25K12	9.0±2.0	178.0±2.0	58.0±2.0	11.0±2.0

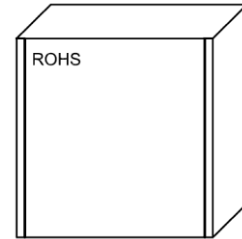
6.2 Packaging

6.2.1 The inner box specification: 195*192*65MM

Packing quantity: 15000PCS/ box

Sealing bag: 32*23CM

Job description: putting the air sealing bag products placed inside the box, sealed with scotch tape

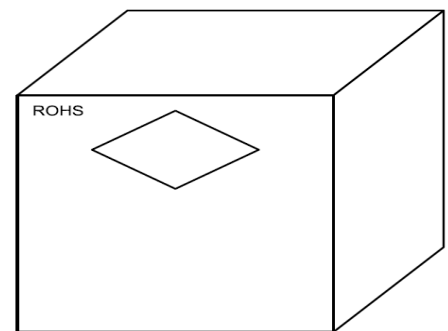


6.2.2 The outside box specification: 410*405*165MM

Packing quantity: 120000PCS/ box

Job description: will be outside the box bottom sealed, inner box into the box.

- a. With transparent tape sealed box at the top
- b. The specified location with a box labels in the outer box.
- c. If the mantissa box under a FCL with inner box or filling full



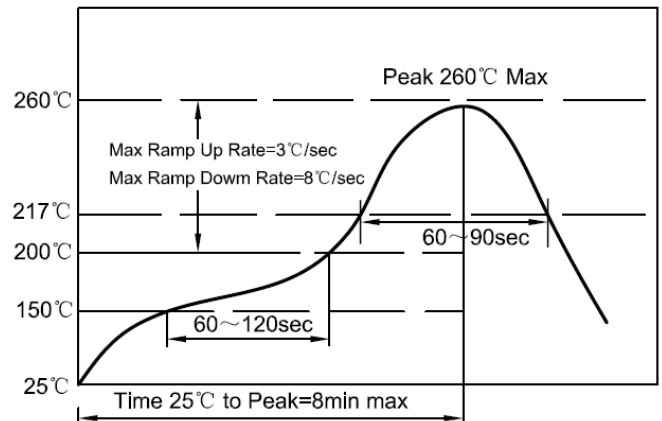
6.3 Storage

- a. To maintain the solderability of terminal electrodes and to keep the packing material in good condition, temperature and humidity in the storage area should be controlled.
- b. Recommended conditions: -10°C~40°C, 70%RH (Max.)
- c. The ambient temperature must be kept below 30°C. Even under ideal storage conditions, solderability of products electrodes may decrease as time passes. For this reason, product should be used with one year from the time of delivery.
- d. In case of storage over 6 months, solderability shall be checked before actual usage.

7. Recommended Soldering Technologies

7.1 Re-flowing Profile:

- Δ 1~2 °C/sec. Ramp
- Δ Pre-heating: 150~190°C/90±30 sec.
- Δ Time above 240°C: 20~40sec
- Δ Peak temperature: 255°C Max./5sec;
- Δ Solder paste: Sn/3.0Ag/0.5Cu
- Δ Max.2 times for Re-flowing



7.2 Iron Soldering Profile:

- Δ Iron soldering power: Max.30W
 - Δ Pre-heating: 150°C/60sec.
 - Δ Soldering Tip temperature: 350°C Max.
 - Δ Soldering time: 3sec Max.
 - Δ Solder paste: Sn/3.0Ag/0.5Cu
 - Δ Max.1 times for iron soldering
- [Note: Take care not to apply the tip of the soldering iron to the]

