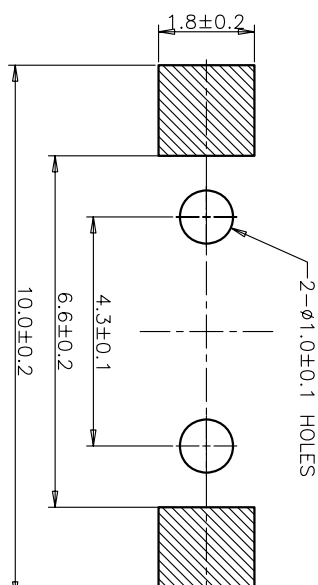
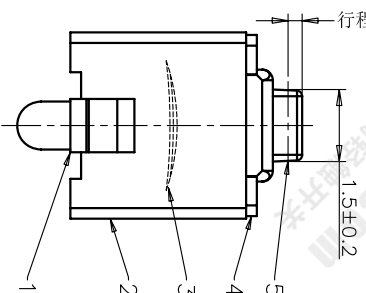


CIRCUIT DIAGRAM



RECOMMENDED P.C.B. LAYOUT

安装尺寸图



REV	ECN NO.	APPD
A	HC-11-0027	PROJOM
B	HC-11-0062	PROJOM
C	HC-12-0061	PROJOM
D	HC-15-0064	PROJOM

规格 Specifications

额定负荷 Rating	DC 12V/50mA
接触电阻 Contact Resistance	100mΩ max.
绝缘电阻 Insulation resistance	DC:100V 60S 100MΩ min.
抗电强度 Dielectric strength	AC250V(50-60HZ) 60S min.
操作力 Operation force	≦180±30gf ≦300±50gf
寿命试验 Operating Life	50,000 cycles 30,000 cycles
行程 Travels	0.25±0.1mm

PRODUCT NO.: 1TS002\*\*\*\*\*-CT

- 轻触开关
- 3X6系列
- 外形:
  - A=插脚
  - B=贴片
  - C=贴片带柱
  - D=贴片2.5高
  - E=贴片带柱8.8
  - F=贴片10.2
- 按钮颜色:
- 底座颜色:
- 盖板颜色:
- 操作力度:
  - 130=130±20gf
  - 160=160±30gf
  - 180=180±30gf
  - 220=220±40gf
  - 250=250±50gf
  - 300=300±50gf
- 手感:
  - 0=常规
  - 1=大手感
  - 2=小手感
  - 3=特殊手感
- 产品高度(H):
  - 430=4.3mm
  - 500=5.0mm
- 材质:
  - 0=PA66
  - 1=LCP+PPA
  - 2=LCP
  - 3=PA66+PPA
  - 4=新增材质依次增加
- 非编带
- 编带

ITEM	PART NAME	QUANTITY	MATERIAL	FINISH
5	ACTUATOR	1	LCP	YELLOW
4	COVER	1	STAINLESS STEEL	NATURAL
3	DOME	1	STAINLESS STEEL	Ag-PLATED
2	HOUSING	1	PPA	WHITE
1	TERMINAL	1	BRASS	Ag-PLATED/0.2µm

UNIT	MM	FINISH
X. ± 0.3	X' ± 3'	XXX' ± 0.5'
X ± 0.2	X' ± 2'	
.XX ± 0.1	.XX' ± 1'	
.XXX ± 0.05	.XXX' ± 0.5'	

NAME(INTENDED USE)	QUANTITY	MATERIAL
3X6 SMT SERIES(POST)	1	LCP
TACT SWITCH	1	STAINLESS STEEL

NAME(NTENDED USE)	QUANTITY	MATERIAL
HON YUAN	1	LCP
HON YUAN PRECISION IND. CO.,LTD.	1	STAINLESS STEEL
SHENZHEN, CHINA.	1	PPA

NAME(NTENDED USE)	QUANTITY	MATERIAL
HON YUAN	1	LCP
HON YUAN PRECISION IND. CO.,LTD.	1	STAINLESS STEEL
SHENZHEN, CHINA.	1	PPA

NAME(NTENDED USE)	QUANTITY	MATERIAL
HON YUAN	1	LCP
HON YUAN PRECISION IND. CO.,LTD.	1	STAINLESS STEEL
SHENZHEN, CHINA.	1	PPA

THESE DRAWINGS AND SPECIFICATIONS ARE THE PROPERTY OF HON YUAN PRECISION IND. CO., LTD. AND SHALL NOT BE REPRODUCED, COPIED OR USED IN ANY MANNER WITHOUT THE PRIOR WRITTEN CONSENT OF HON YUAN PRECISION IND. CO., LTD.

SCALE SHEET REV. 10/1 2/4 D