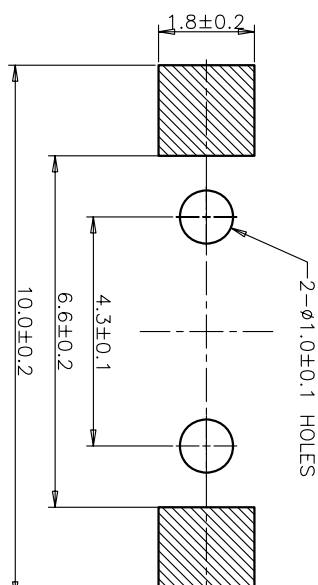
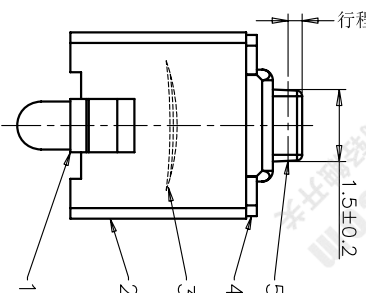


CIRCUIT DIAGRAM  
回路图



RECOMMENDED P.C.B. LAYOUT  
安装尺寸图



| REV | ECN NO.    | APPD   |
|-----|------------|--------|
| A   | HC-11-0027 | PROJ0M |
| B   | HC-11-0062 | PROJ0M |
| C   | HC-12-0061 | PROJ0M |
| D   | HC-15-0064 | PROJ0M |

规格 Specifications

|                            |                                |
|----------------------------|--------------------------------|
| 额定负荷 Rating                | DC 12V/50mA                    |
| 接触电阻 Contact Resistance    | 100mΩ max.                     |
| 绝缘电阻 Insulation resistance | DC:100V 60S 100MΩ min.         |
| 抗电强度 Dielectric strength   | AC250V(50-60HZ) 60S min.       |
| 操作力 Operation force        | ≅ 180±30gf<br>≅ 300±50gf       |
| 寿命试验 Operating Life        | 50,000 cycles<br>30,000 cycles |
| 行程 Travels                 | 0.25±0.1mm                     |

PRODUCT NO.: 1TS002\*\*\*\*\*-CT

- 轻触开关
- 3X6系列
- 外形:
  - A=插脚
  - B=贴片
  - C=贴片带柱
  - D=贴片2.5高
  - E=贴片带柱8.8
  - F=贴片10.2
- 按钮颜色:
- 底座颜色:
- 盖板颜色:
- 操作力度:
  - 130=130±20gf
  - 160=160±30gf
  - 180=180±30gf
  - 220=220±40gf
  - 250=250±50gf
  - 300=300±50gf
- 手感:
  - 0=常规
  - 1=大手感
  - 2=小手感
  - 3=特殊手感
- 产品高度(H):
  - 430=4.3mm
  - 500=5.0mm
- 材质:
  - 0=PA66
  - 1=LCP+PPA
  - 2=LCP
  - 3=PA66+PPA
  - 4=新增材质依次增加
- 非编带, 不启用

| ITEM | PART NAME | QUANTITY | MATERIAL        | FINISH          |
|------|-----------|----------|-----------------|-----------------|
| 5    | ACTUATOR  | 1        | LCP             | YELLOW          |
| 4    | COVER     | 1        | STAINLESS STEEL | NATURAL         |
| 3    | DOME      | 1        | STAINLESS STEEL | Ag-PLATED       |
| 2    | HOUSING   | 1        | PPA             | WHITE           |
| 1    | TERMINAL  | 1        | BRASS           | Ag-PLATED/0.2µm |

|             |              |        |    |
|-------------|--------------|--------|----|
| X. ± 0.3    | X. ± 3'      | UNITS  | MM |
| X ± 0.2     | X' ± 2'      | MAT'L  |    |
| .XX ± 0.1   | .XX' ± 1'    | FINISH |    |
| .XXX ± 0.05 | .XXX' ± 0.5' |        |    |

THESE DRAWINGS AND SPECIFICATIONS ARE THE PROPERTY OF HON YUAN PRECISION IND. CO., LTD. AND SHALL NOT BE REPRODUCED, COPIED OR USED IN ANY MANNER WITHOUT THE PRIOR WRITTEN CONSENT OF HON YUAN PRECISION IND. CO., LTD.

|                        |                                   |                  |
|------------------------|-----------------------------------|------------------|
| NAME(INTENDED USE)     | 3X6 SMT SERIES(POST)              | TACT SWITCH      |
| PART NO.(INTENDED USE) | 1TS002C****-*****-****1           |                  |
| APPD:                  | ZO 2015/11/12                     |                  |
| CHKD:                  | M.H.LI 2015/11/12                 |                  |
| DR:                    | WP.LIU 2015/11/11                 |                  |
| DWG NO.:               | 1TS002C                           |                  |
| TITLE:                 | PRODUCT DRAWING                   |                  |
| HON YUAN               | HON YUAN PRECISION IND. CO., LTD. | SHENZHEN, CHINA. |
| SCALE                  | 10/1                              | SHEET 2/4        |
| REV.                   |                                   | D                |