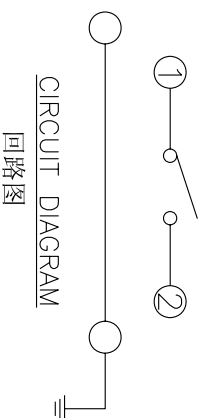
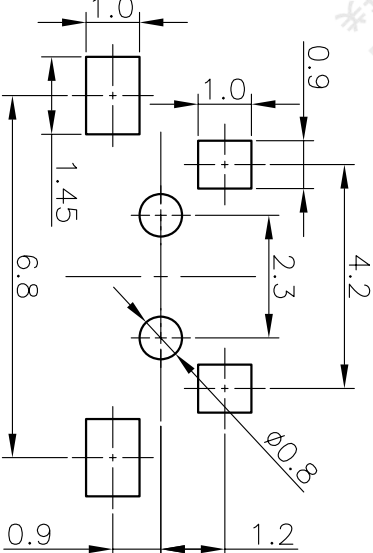
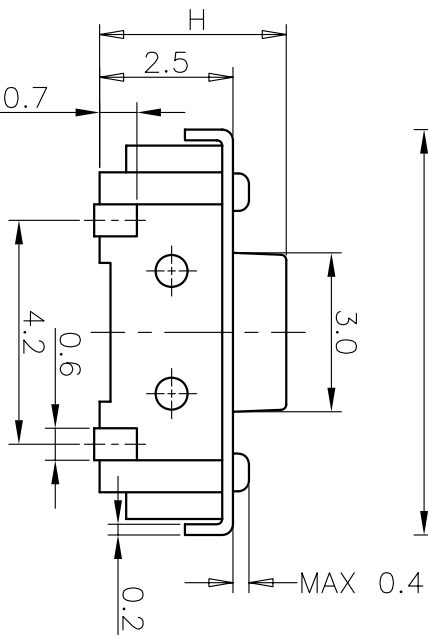
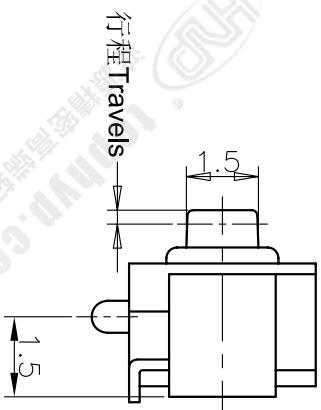
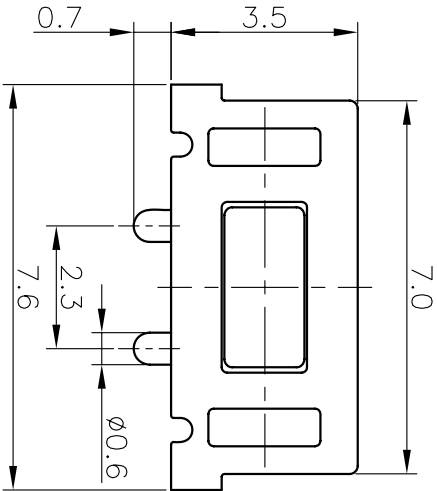


规格 Specifications

额定负荷 Rating	DC 12V/50mA
接触电阻 Contact Resistance	100mΩ max.
绝缘电阻 Insulation resistance	DC100V 60S 100MΩ min.
抗电强度 Dielectric strength	AC250V/(50-60HZ) 60S min.
操作力 Operation force	≤180±30gf ≥250±50gf
寿命试验 Operating Life	50,000 cycles 30,000 cycles
行程 Travels	0.25±0.1mm



RECOMMENDED P.C.B. LAYOUT
安装尺寸图

PRODUCT NO. : 1 T S 0 0 2 * * * * * - * * * * * - * * * * * - * * * * * CT

- 轻触开关
- 3X6系列
- 外形:
 - A=插脚
 - B=贴片
 - C=贴片带柱
 - K=贴片带柱8.8
 - L=贴片10.2
- 按钮颜色: []
- 底座颜色: []
- 盖板颜色: []
- 操作力度:
 - 130=130gf
 - 160=160gf
 - 180=180gf
 - 250=250gf
 - 300=300gf
- 初始颜色: []
- 则不启用
- 产品高度 (H) :
 - 350=3.5mm
 - 370=3.7mm
- 材质:
 - 0=初始材质
 - 1=新增材质
 - 依次增加
- 非编带, 不启用
- 手感:
 - 0=常规
 - 1=大手感
 - 2=小手感
 - 3=特殊手感

ITEM	PART NAME	QUANTITY	MATERIAL	FINISH
5	COVER	1	STAINLESS STEEL	/
4	ACTUATOR	1	LCP	BLACK
3	DOME	1	STAINLESS STEEL	Ag-PLATED
2	TERMINAL	2	BRASS	Ag-PLATED
1	HOUSING	1	LCP	YELLOW

UNIT	MM	FINISH
X. ± 0.3	X. ± 3	XXX' ± 0.5'
X ± 0.2	X' ± 2'	
.XX ± 0.1	.XX' ± 1'	
.XXX ± 0.05	.XXX' ± 0.5'	

NAME (INTENDED USE)	NAME (INTENDED USE)	TITLE:
3X6 SMT SERIES	HON YUAN	PRODUCT DRAWING
TACT SWITCH	HON YUAN PRECISION IND. CO., LTD.	
	SHENZHEN, CHINA.	

APPD:	CHKD:	DR:	DWG NO.:	SCALE	SHEET	REV.
ZO 5/22/2014	M.H.LI 5/22/2014	WP.LU 5/21/2014	1TS002G	10/1	1/1	A

THESE DRAWINGS AND SPECIFICATIONS ARE THE PROPERTY OF HON YUAN PRECISION IND. CO., LTD. AND SHALL NOT BE REPRODUCED, COPIED OR USED IN ANY MANNER WITHOUT THE PRIOR WRITTEN CONSENT OF HON YUAN PRECISION IND. CO., LTD.