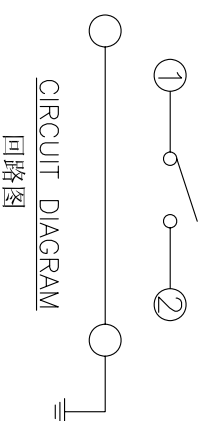
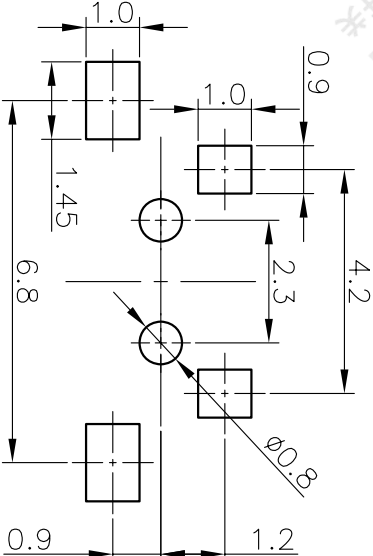
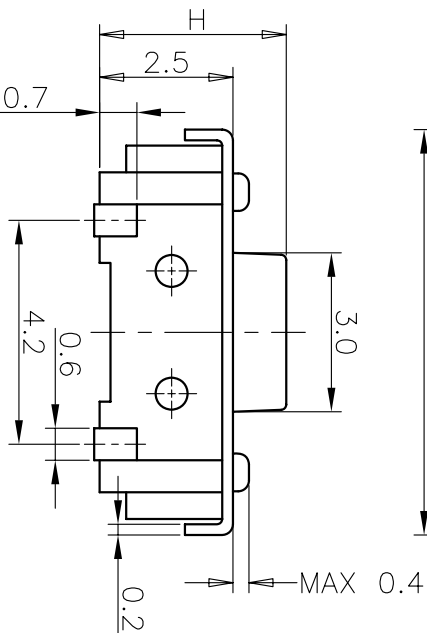
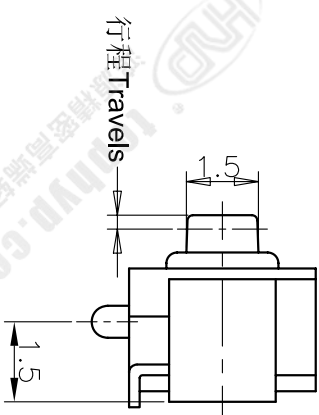
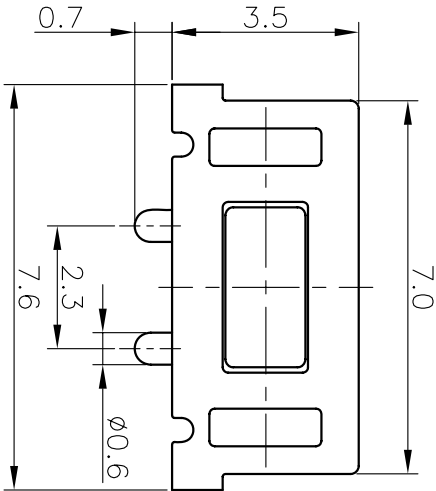


| REV | ECN NO. | APPD |
|-----|------------|---------|
| A | HC-14-0007 | PROULOM |

规格 Specifications

| | |
|----------------------------|--------------------------------|
| 额定负荷 Rating | DC 12V/50mA |
| 接触电阻 Contact Resistance | 100mΩ max. |
| 绝缘电阻 Insulation resistance | DC100V 60S 100MΩ min. |
| 抗电强度 Dielectric strength | AC250V/(50-60HZ) 60S min. |
| 操作力 Operation force | ≤180±30gf ≥250±50gf |
| 寿命试验 Operating Life | 50,000 cycles 30,000 cycles |
| 行程 Travels | 0.25±0.1mm |



RECOMMENDED P.C.B. LAYOUT
安装尺寸图

| ITEM | PART NAME | QUANTITY | MATERIAL | FINISH |
|------|-----------|----------|-----------------|-----------|
| 5 | COVER | 1 | STAINLESS STEEL | / |
| 4 | ACTUATOR | 1 | LCP | BLACK |
| 3 | DOME | 1 | STAINLESS STEEL | Ag-PLATED |
| 2 | TERMINAL | 2 | BRASS | Ag-PLATED |
| 1 | HOUSING | 1 | LCP | YELLOW |

| | | | |
|-------------|--------------|--------|----|
| X. ± 0.3 | X. ± 3' | UNITS | MM |
| X ± 0.2 | X' ± 2' | MAT'L | |
| .XX ± 0.1 | .XX' ± 1' | FINISH | |
| .XXX ± 0.05 | .XXX' ± 0.5' | Q'TY | |

| | |
|----------------------------|-----------------------------------|
| NAME (INTENDED USE) | HON YUAN |
| 3X6 SMT SERIES TACT SWITCH | HON YUAN PRECISION IND. CO., LTD. |
| PART NO. (INTENDED USE) | SHENZHEN, CHINA. |
| ITSO02G****-*****-****0 | TITLE: PRODUCT DRAWING |
| APPD: ZO 5/22/2014 | DWG NO.: 1TS002G |
| CHKD: M.H.LI 5/22/2014 | SCALE SHEET |
| DR: WP.LU 5/21/2014 | 10/1 |
| | 1/1 |
| | REV. A |

PRODUCT NO. : 1TS002*****-*****-CT

轻触开关 3X6系列

外形:

- A=插脚
- B=贴片
- C=贴片带柱
- K=贴片带柱8.8
- L=贴片10.2

按钮颜色: 初始颜色 则不启用

底座颜色: 130=130gf
160=160gf
180=180gf
250=250gf
300=300gf

盖板颜色: 操作力度:

材质:

- 0=初始材质
- 1=新增材质
- 依次增加

产品高度 (H):

- 350=3.5mm
- 370=3.7mm

编带 非编带, 不启用

手感:

- 0=常规
- 1=大手感
- 2=小手感
- 3=特殊手感

THESE DRAWINGS AND SPECIFICATIONS ARE THE PROPERTY OF HON YUAN PRECISION IND. CO., LTD. AND SHALL NOT BE REPRODUCED, COPIED OR USED IN ANY MANNER WITHOUT THE PRIOR WRITTEN CONSENT OF HON YUAN PRECISION IND. CO., LTD.