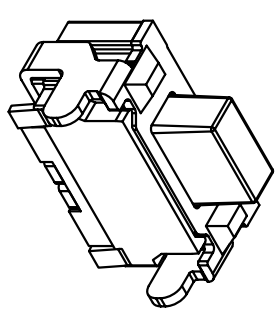
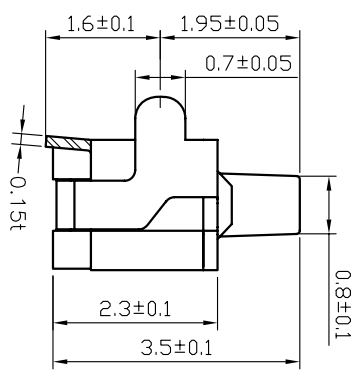
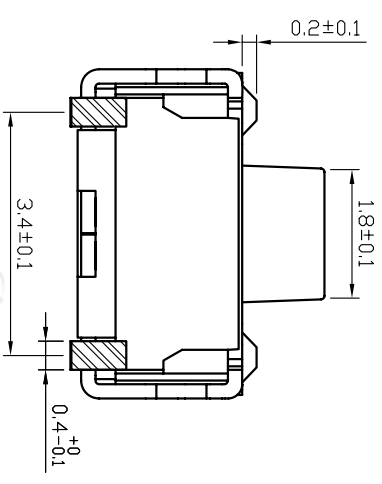
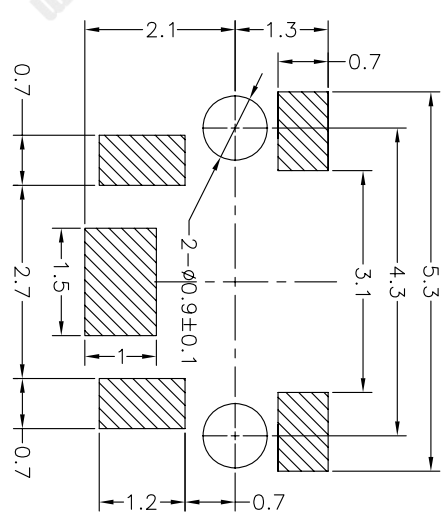
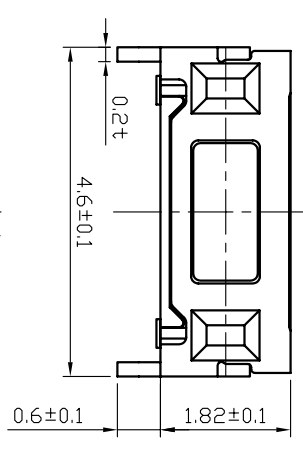


REV	ECN NO.	APPD
A	HC-16-0048	PRD/JDM
B	HC-17-0001	PRD/JDM

规格 Specifications

额定负荷 Rating	DC 12V/50mA
接触电阻 Contact Resistance	100mΩ max.
绝缘电阻 Insulation resistance	DC100V 60S 100MΩ min.
抗电强度 Dielectric strength	AC250V(50-60HZ) 60S min.
操作力 Operation force	≤160±30gf    180±30gf    250±50gf
寿命试验 Operating Life	100,000 cycles    50,000 cycles    15,000 cycles
行程 Travels	0.2±0.1mm



PRODUCT NO.: 1TS003A - CT  
轻触开关  
2X4系列  
外形:  
A=单层全包  
B=单层带柱  
C=双层全包  
按钮颜色:  
底座颜色:  
盖板颜色:  
操作力度:  
140=140gf  
160=160gf  
180=180gf  
250=250gf  
初始颜色  
则不启用  
材料:  
0=初始材质  
1=新增材质  
依次增加  
产品高度(H):  
350=3.5mm  
非编带  
编带, 不启用

手感:  
0=常规  
1=大手感  
2=小手感  
3=特殊手感  
X: ± 0.3  
X ± 0.2  
.XX ± 0.1  
XXX ± 0.05  
X' ± 3  
X' ± 2  
.XX' ± 1  
XXX' ± 0.5

ITEM	PART NAME	QUANTITY	MATERIAL	FINISH
5	ACTUATOR	1	LCP	BLACK
4	COVER	1	BRASS	Ag-PLATED
3	DOME	2	STAINLESS STEEL	Ag-PLATED
2	HOUSING	1	LCP	YELLOW
1	TERMINAL	2	BRASS	Ag-PLATED

THESE DRAWINGS AND SPECIFICATIONS ARE THE PROPERTY OF HON YUAN PRECISION IND. CO., LTD. AND SHALL NOT BE REPRODUCED OR USED IN ANY MANNER WITHOUT THE PRIOR WRITTEN CONSENT OF HON YUAN PRECISION IND. CO., LTD.  
APPD: ZD 2017-1-12  
CHKD: LI 2017-1-12  
DR: S.L.LI 2017-1-12  
HON YUAN  
HON YUAN PRECISION IND. CO., LTD.  
SHENZHEN, CHINA.  
TITLE: PRODUCT DRAWING  
DWG NO.: 1TS003A  
SCALE SHEET REV.  
15/1 1/1 B