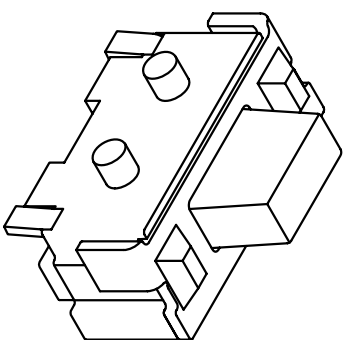
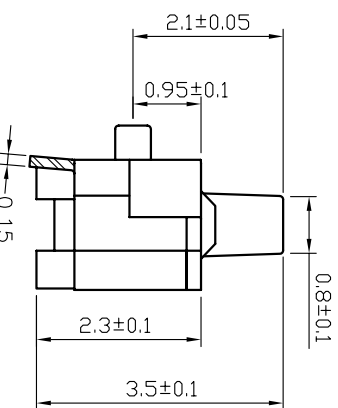
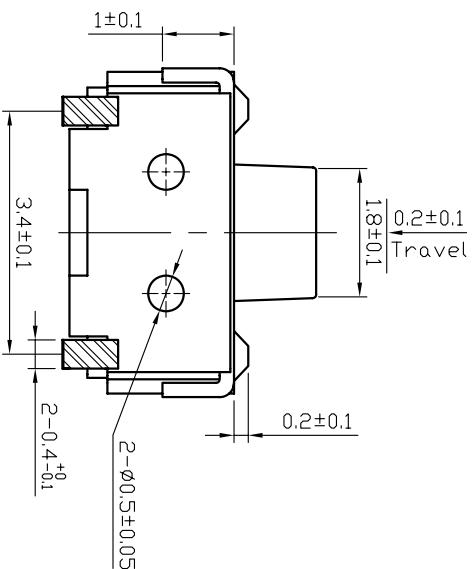


RECOMMENDED P.C.B. LAYOUT
安装尺寸图



规格 Specifications

额定负荷 Rating	DC 12V/50mA
接触电阻 Contact Resistance	100mΩ max.
绝缘电阻 Insulation resistance	DC:100V 60S 100MΩ min.
抗电强度 Dielectric strength	AC250V(50-60HZ) 60S min.
操作力 Operation force	≤160±30gf 180±30gf 250±50gf
寿命试验 Operating Life	100,000 cycles 50,000 cycles 15,000 cycles
行程 Travels	0.2±0.1mm

PRODUCT NO.: 1TS003B***-***A - CT

- 轻触开关
- 2X4系列
- 外形:
- A=单层全包
- B=单层带柱
- C=双层全包
- 按钮颜色:
- 底座颜色:
- 盖板颜色:
- 操作力度:
- 140=140gf
- 160=160gf
- 180=180gf
- 250=250gf
- 初始颜色
- 则不启用
- 材料:
- 0=初始材质
- 1=新增材质
- 依次增加
- 产品高度(H):
- 350=3.5mm
- 编织带
- 非编织带, 不启用
- 手感:
- 0=常规
- 1=大手感
- 2=小手感
- 3=特殊手感

ITEM	PART NAME	QUANTITY	MATERIAL	FINISH
5	ACTUATOR	1	LCP	BLACK
4	COVER	1	BRASS	Ag-PLATED
3	DOME	2	STAINLESS STEEL	Ag-PLATED
2	TERMINAL	2	BRASS	Ag-PLATED
1	HOUSING	1	LCP	YELLOW

UNITS	MM	NAME(INTENDED USE)	HON YUAN
X. ± 0.3	X' ± 3	2X4 SERIES	HON YUAN PRECISION IND. CO.,LTD.
X ± 0.2	X' ± 2	TACT SWITCH	SHENZHEN, CHINA.
.XX ± 0.1	.XX' ± 1	PART NO.(INTENDED USE)	
.XXX ± 0.05	.XXX' ± 0.5	1TS003B***-***A0A	PRODUCT DRAWING

FINISH	Q'TY	CHKD	DWG NO.:
		HL/LI 2016-9-20	1TS003B
		DR: S.L/LI 2016-9-20	

SCALE	SHEET	REV.
15/1	1/1	B

THESE DRAWINGS AND SPECIFICATIONS ARE THE PROPERTY OF HON YUAN PRECISION IND. CO., LTD. AND SHALL NOT BE REPRODUCED, COPIED OR USED IN ANY MANNER WITHOUT PERMISSION WRITTEN CONSENT OF HON YUAN PRECISION IND. CO., LTD.